

# **HN-1010/HN-1510**

**Outdoor/Indoor Units**

## **User's Guide**



---

**CIRRONET™**

**5375 Oakbrook Parkway  
Norcross, Georgia 30093**

**[www.cirronet.com](http://www.cirronet.com)**

**+1 678 684-2000**



## Important Regulatory Information

**FCC ID, HSW-HN-1010**

and

**FCC ID, HSW-HN-1510**

---

**Note:** This unit has been tested and found to comply with the limits for a class A digital device, pursuant to part 15 of the FCC Rules. These limits are designed to provide reasonable protection against harmful interference when the equipment is operated in a commercial environment. This equipment generates, uses, and can radiate radio frequency energy and, if not installed and used in accordance with the instruction manual, may cause harmful interference to radio communications. Operation of this equipment in a residential area is likely to cause harmful interference in which case the user will be required to correct the interference at their own expense. Commensurate with EIRP limits specified in FCC Rules 15.247b, this device may not be used with antennas that exceed 36dB of gain in point-to-point applications or 16dB of gain in multi-point applications.

---

### Maximum Permissible Exposure (MPE) Limits

- ***Notice to users/installers using the 24 dBi parabolic dish antenna in conjunction with all Cirronet RF products.***

*FCC rules limit the use of this antenna, when connected to Cirronet RF products for **point-to-point applications only**. It is the responsibility of the installer to ensure that the system is prohibited from being used in point-to-multipoint applications, omni-directional applications, and applications where there are multiple co-located intentional radiators transmitting the same information. Any other mode of operation using this antenna is forbidden.*

- ***Information to user/installer regarding FCC s Maximum Permissible Exposure (MPE) limits.***
- ***Notice to users/installers using the following fixed antennas, with Cirronet RF products:***

*Andrews 24dBi parabolic dish,  
Andrews 18dBi parabolic dish,  
Cushcraft 15dBi Yagi,  
Mobile Mark 14dBi Corner Reflector,  
Mobile Mark 9dBi Corner Reflector*

*The field strength radiated by any one of these antennas, when connected to Cirronet RF*

*products, may exceed FCC mandated RF exposure limits. FCC rules require professional installation of these antennas in such a way that the general public will not be closer than 2 m from the radiating aperture of any of these antennas. End users of these systems must also be informed that RF exposure limits may be exceeded if personnel come closer than 2 m to the apertures of any of these antennas.*

- ***Notice to users/installers using the following mobile antennas, with Cirronet RF products:***

*Mobile Mark 12dBi omni-directional,  
Mobile Mark 9dBi omni-directional,  
MaxRad 5dBi whip,  
Cirronet Patch antenna,  
Ace 2dBi dipole,  
Mobile Mark 2dBi Stub*

*The field strength radiated by any one of these antennas, when connected to Cirronet RF products, may exceed FCC mandated RF exposure limits. FCC rules require professional installation of these antennas in such a way that the general public will not be closer than 20 cm from the radiating aperture of any of these antennas. End users of these systems must also be informed that RF exposure limits may be exceeded if personnel come closer than 20 cm to the apertures of any of these antennas.*

## **European Community Notice**

This device complies with ETS 300.328 of the European Community. Operation is subject to the following conditions:

- This device may not cause interference.
- This device must accept interference, including undesired interference that may impede the operation of this device.

### **End of Regulatory Information**

## **Repairs**

Cirronet does not recommend field repairs of the radio equipment. Surface Mount Technology (SMT) has been used in the production of the transceiver module, which requires specialized training and equipment for proper servicing. The equipment should be returned to the factory for any repair.

Steps have been taken to insure the accuracy of the contents of this manual. Nevertheless, Cirronet Incorporated cannot guarantee the accuracy of this manual.

## **Copyright 2001 Cirronet™ Incorporated**

WaveBolt™ is a trademark of Cirronet Incorporated. Windows® is a registered trademark of Microsoft Corporation.

## Table of Contents

FCC ID HSW-2410M .....	<b>Error! Bookmark not defined.</b>
COPYRIGHT 2001 CIRRONET™ INCORPORATED .....	<b>ERROR! BOOKMARK NOT DEFINED.</b>
Maximum Permissible Exposure (MPE) Limits .....	<b>Error! Bookmark not defined.</b>
FCC NOTICE, U.S.A. ....	<b>ERROR! BOOKMARK NOT DEFINED.</b>
EUROPEAN COMMUNITY NOTICE.....	<b>ERROR! BOOKMARK NOT DEFINED.</b>
REPAIRS.....	<b>ERROR! BOOKMARK NOT DEFINED.</b>
Table of Contents.....	iii
Overview.....	1
INTRODUCTION.....	1
HOPNET PRODUCTS.....	1
External Antenna .....	1
Built-In Antenna .....	1
Accessories .....	1
DESIGN FEATURES .....	1
GLOSSARY OF TERMS.....	2
About HopNet Products .....	5
INTRODUCTION.....	5
OPERATING FREQUENCY.....	5
HOPNET FREQUENCY HOPPING SPREAD SPECTRUM ADVANTAGES.....	5
HOPNET DATA INTEGRITY .....	5
FLEXIBLE POWER MANAGEMENT .....	5
HN-1010 Outdoor Base/Remote Station.....	7
INTRODUCTION.....	7
DATA TRANSMISSION.....	7
JUMPER SETTINGS .....	8
POWER CONNECTION .....	8
ANTENNA CONNECTION .....	8
TECHNICAL SPECIFICATIONS .....	10
General.....	10
Mechanical.....	11
Environmental.....	11
HN-1510 Outdoor Base/Remote Station.....	13
INTRODUCTION.....	13
DATA TRANSMISSION.....	13
LED STATUS .....	14
POWER CONNECTION .....	14
ANTENNA CONNECTION .....	14
TECHNICAL SPECIFICATIONS .....	15
General.....	15
Mechanical.....	16
Environmental.....	16
HN-3500 Adapter .....	17
INTRODUCTION.....	17
FLOW CONTROL INDICATORS.....	18
DB-9 CONNECTOR .....	18

TERMINAL BLOCK .....	18
TERMINAL BLOCK .....	19
POWER SUPPLY .....	21
Introduction .....	21
AC to DC Conversion .....	21
Alternate Power Sources .....	21
Configuring the Network .....	23
OVERVIEW .....	23
Introduction .....	23
Five Command Types .....	23
INSTALLING THE WINCOM24 SOFTWARE .....	24
MODEM COMMANDS .....	25
SERIAL COMMANDS .....	26
Set Data Rate Divisor .....	26
Set Protocol Mode .....	27
NETWORK COMMANDS .....	28
Set Transceiver Mode .....	28
Set Default Handle .....	28
Enable Global Network Mode .....	29
Set Hopping Pattern .....	29
Set Transmit Power .....	29
Read Receive Signal Strength Indicator (RSSI) .....	29
Set Range Optimization .....	30
PROTOCOL COMMANDS .....	31
Set Alternative Frequency Band .....	32
Set Hop Duration .....	32
Set Minimum Data Length .....	32
Get Maximum Data Length (read only) .....	32
Set Maximum Number of Remotes (base only) .....	33
Set Packet Attempts Limit .....	33
Set Data Transmit Delay .....	33
Set Slot Assignment Mode (base station only) .....	33
Set Base Slot Size (base station only) .....	34
Set ARQ Mode .....	34
STATUS COMMANDS .....	35
Banner Display Disable .....	35
Set Escape Sequence Mode .....	35
Read Factory Serial Number High, Middle and Low Bytes .....	36
Set Duty Cycle .....	36
Enable Low Power Acquisition Mode .....	36
MEMORY COMMANDS .....	37
Recall Factory Defaults .....	37
Recall Memory .....	37
Store Memory .....	37
MODEM COMMAND SUMMARY .....	38
GUIDELINES FOR INSTALLATION .....	39
Typical HopNet Applications .....	41
INTRODUCTION .....	41

POINT TO MULTIPOINT .....	41
POINT-TO-POINT .....	42
Troubleshooting .....	43
OVERVIEW .....	43
Introduction .....	43
Transceiver Requirements.....	43
COMMON SYSTEM PROBLEMS .....	44
GUIDELINES FOR REDUCING INTERFERENCE .....	45
Introduction .....	45
Guidelines for Setting Up the Network.....	45
Guidelines for Selecting Your Site .....	45
GUIDELINES FOR AVOIDING TERRAIN OBSTRUCTIONS.....	46
CUSTOMER SUPPORT .....	47
Introduction .....	47
Technical Assistance .....	47
Factory Repairs .....	47
Warranty .....	48
Notes: .....	49





## Overview

### Introduction

The HopNet 10 Series family of products provides reliable wireless connectivity for either point-to-point or point-to-multipoint applications. The HopNet products are built around the WIT2410 radio transceiver, which employs frequency hopping spread spectrum technology. This technology ensures:

- Maximum resistance to noise
- Maximum resistance to multipath fading
- Robustness in the presence of interfering signals

### HopNet Products

The HopNet family of products is built with rugged enclosures compliant with IP 66 and NEMA 4X standards for outdoor and harsh industrial environments. All Hopnet products work with each other and can be mixed and matched in a single network. All HopNet Products are WIT2410 compatible and can be used with the WIT2410 OEM based products as well as with the SNAP2410 10Base T access point. The HopNet family consists of the following products:

#### External Antenna

HN-210X Base/Remote Unit

HN-510 Indoor Base/Remote Station

HN-1010 Outdoor Base/Remote Station

HN-1510 Indoor Base/Remote Station

HN-2010 Repeater

#### Built-In Antenna

HN-210 Base/Remote Unit

HN-3010 Base/Remote Unit

#### Accessories

Antennas

Adapter

Power Supplies

#### Design Features

The HopNet modems have many advanced features:

- Employ frequency hopping technology with up to 75 channels in the 2401 to 2475 MHz frequency range
- Support RS-232 and RS 485 interfaces (HN-210 and HN-510 are RS-232 only)
- Support digital addressing for up to 64 networks, with 62 remotes per network.
- Use transparent ARQ protocol
- Use same hardware for all supported data rates
- Supports up to 230 Kbps asynchronous data rates
- Full Duplex
- Stores setup configuration in nonvolatile memory (FLASH)
- Provide fast acquisition – less than 2 seconds is the typical time to acquire hopping pattern
- Use smart power management features

## Glossary of Terms

Refer to the following list of terms that may be unfamiliar to you. These terms are used throughout this document.

Term	Definition
ARQ	Automatic Repeat Request. The operation in which the radio will re-send the data until it is received correctly.
bps	Bits-per-second. A measure of information transfer rate of digital data across a channel.
Decibel	A measure of the ratio between two signal levels. Used to express either loss or gain.
dBi	Decibels referenced to an ideal isotropic radiator in free space. Used to express antenna gain.
dBm	Decibels referenced to 1 milliwatt. An absolute unit used to measure signal power. Transmitter power output or received signal strength.
DCE	Data Communications Equipment. A device that receives data in the form of digital signals at its input. The modem side of a computer-to-modem connection.
DCD	Data Carrier Detect.
DTE	Data Terminal Equipment. A device that provides data in the form of digital signals at its output. The computer side of a computer-to-modem connection.
EIRP	Effective Isotropic Radiated Power.
ISM	Industrial, Scientific, or Medical band operating at 2.4 GHz. Allows use of a radio without a license, but the equipment must be immune to interference from other users in the band and

---

	approved for use in the intended country.
Latency	The delay between when data is received on TX until it is output on RX.
RMA	Return Material Authorization.
<b>Term</b>	<b>Definition</b>
RTU	Remote Terminal Unit. A device used in data collection.
TDMA	Time Division Multi Access. A time slot multiplexing protocol for multinode networking.



## About HopNet Products

### Introduction

This section provides operational information about the HopNet products.

### Operating Frequency

The HopNet family operates in the 2.4 GHz ISM band that allows for license-free use and worldwide compliance.

### HopNet Frequency Hopping Spread Spectrum Advantages

In the frequency domain, a multipath fade can be described as a frequency selective notch that shifts in location and depth over time. Multipath fades typically occupy five percent of the band. A conventional radio system typically has a five percent chance of signal impairment at any given time due to multipath fading.

Frequency Hopping Spread Spectrum reduces the vulnerability of a radio system to both interference from jammers and multipath fading by distributing or spreading the signal over a larger region of the frequency band.

The fade resistant, HopNet frequency-hopping technology employs up to 75 channels and switches channels over 100 times a second to achieve high reliability throughput.

### HopNet Data Integrity

An on-board 3 KB buffer and error correcting over-the-air protocol ensure data integrity even in the presence of weak signals or jammers. The serial interface handles both data and control of asynchronous data rates of up to 230 Kbps.

### Flexible Power Management

You can set the transmit power at 10 milliwatts or 100 milliwatts. Reduced power can reduce the size of the coverage zone, which may be desirable for multiple network indoor applications. You can also place the transceiver module in a power-save mode, which enables smart power management. Smart power management allows a remote unit to drop into a lower current standby mode during transmission or receiving gaps.

This feature also allows Hopnet products to be used in various countries where the output power requirements may vary due to regulation.



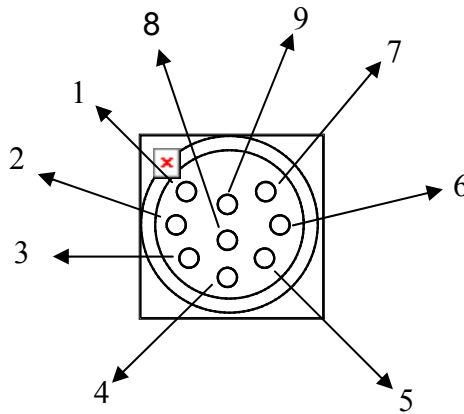
# HN-1010 Outdoor Base/Remote Station

## Introduction

The HopNet Outdoor Base/Remote Station (HN-1010) features a low-cost, rugged, compact, NEMA 4X/IP 66 enclosure for outdoor or harsh industrial environments. You can use the HN-1010 with all HopNet products and with any existing WIT2410 network.

## Data Transmission

The HN-1010 supports up to 62 remotes on a single network. You can operate 16 different networks in the same area without conflicts. The HN-1010 can easily transmit over 1.0 mile line of sight. You can extend this range by adding a HopNet Repeater (HN-2010) or by using gain antennas.



Automatic repeat requests (ARQ) and acknowledgments inside the radio are transparent to the user equipment. User data rates of 230 Kbps are supported with built-in CRC/ARQ error protocols. See below for jumper settings. The HN-3500 adapter can be used to adapt RS-232 signals to RS-485 in situations where long data cable runs are required. The HN-1010 uses a 9-pin Conxall weatherproof connector for power, data, and control signals. See the illustration below of the 9-pin Conxall connector.

Data throughput is RS-485 Hybrid or RS-232 while flow control signals are single-ended RS-232. Factory default is RS-485 Hybrid. RS-232 is selectable through internal user configurable jumpers.

## Jumper Settings

The HN-1010 is shipped from the factory as an RS-485 Hybrid device. To change the interface to the RS-232 option the following tasks must be performed:

- Remove Top cover.
- Change jumper settings so that J11, J12, J13 and J15 only are inserted

1 Transmit Data (TXD+)	4 Receive Data (RXD-)	7 Data Carrier Detect (DCD)
2 Transmit Data (TXD-)	5 Clear to Send (CTS)	8 VCC
3 Receive Data (RXD+)	6 Data Terminal Ready (DTR)	9 Ground

- Replace top cover.

The RS-232 option allows the HN-1010 to operate as a true RS-232 device

RS485					RS232			
○	○	○	○	○	○	○	○	○
○	○	○	○	○	○	○	○	○
JP6	JP8	JP9	JP10	JP14	JP11	JP12	JP13	JP15

Jumper Configuration of HN-1010

## Power Connection

You can operate the HN-1010 from any well-filtered 7.5 to 24 VDC power source. The power supply should be capable of providing 750 mA peak current. Power connects through the 9-pin connector. A polyfuse on the transceiver board protects against short circuits.

## Antenna Connection

The RF signal is brought in on a standard female TNC jack connector located on the front panel. Use the following guidelines when installing the antenna:

- Be sure to strictly follow the antenna manufacturer’s installation instructions for proper operation of the antenna.



- Be sure that you use the proper polarization for a gain type antenna. If you orient the antenna with wrong polarization, a signal reduction of greater than 20 dB could result.
- Use a low-loss RF feedline between the antenna and the HN-1010. Make the feedline as short as possible to keep signal loss to a minimum.
- When installing the feedline, do not twist, stretch, or kink the cable.
- Be sure to securely fasten the cable and only use connectors that have been recommended by the cable manufacturer.

## Technical Specifications

Refer to the following table for the technical specifications for the HN-1010.

### General

Specification	Value
Frequency Band	<ul style="list-style-type: none"> <li>• 2401-2475 MHz (USA)</li> <li>• 2448-2478 MHz (France)</li> <li>• 2448-2473 MHz (Spain)</li> <li>• 2473-2495 MHz (Japan)</li> <li>• 2452-2478 MHz (Canada)</li> </ul>
Number of Channels	<ul style="list-style-type: none"> <li>• 75 US; 25 France, Spain, Japan &amp; Canada</li> </ul>
Approvals	<ul style="list-style-type: none"> <li>• US FCC: Part 15. 203</li> <li>• European Community: ETS 300.328 Compliance</li> </ul>
Data Rate	<ul style="list-style-type: none"> <li>• Up to 230 Kbps Async Throughput</li> </ul>
RF Channel Data Rate	<ul style="list-style-type: none"> <li>• 460 Kbps</li> </ul>
Serial Data Interface	<ul style="list-style-type: none"> <li>• RS-232 / RS-485 Async</li> </ul>
Network Protocol	<ul style="list-style-type: none"> <li>• ARQ: Elastic TDMA (E/TDMA)</li> </ul>
Connector	<ul style="list-style-type: none"> <li>• 9-pin Conxall 4282-9PG-300</li> </ul>
Mating Connector	<ul style="list-style-type: none"> <li>• 3282-9SG-Sxx</li> </ul>
TX Power Output	<ul style="list-style-type: none"> <li>• +18 dBm</li> </ul>
Receive Sensitivity	<ul style="list-style-type: none"> <li>• -93 dBm</li> </ul>
RF Bandwidth	<ul style="list-style-type: none"> <li>• 750 KHz</li> </ul>
Modulation Type	<ul style="list-style-type: none"> <li>• GMSK</li> </ul>
Output Impedance	<ul style="list-style-type: none"> <li>• 50 <math>\Omega</math></li> </ul>
Input Power at Connector	<ul style="list-style-type: none"> <li>• 9 VDC Nominal</li> <li>• 7.5-24 VDC Operating</li> <li>• 160 mA Typical (750 mA surge) Remote</li> </ul>

**Mechanical**

Specification	Value
Case	<ul style="list-style-type: none"> <li>• Nema 4X Standards, IP66</li> </ul>
Antenna Connector	<ul style="list-style-type: none"> <li>• TNC RF</li> </ul>
Size	<ul style="list-style-type: none"> <li>• 5.6 in. x 2.09 in. x 8.39 in.</li> <li>• 142mm x 53mm x 213mm</li> </ul>
Weight	<ul style="list-style-type: none"> <li>• 1.8 lb</li> <li>• 816.5 g</li> </ul>

**Environmental**

Specification	Value
Temperature	<ul style="list-style-type: none"> <li>• -30° to 70° C</li> </ul>
Humidity	<ul style="list-style-type: none"> <li>• 95% at + 40°C, Non-condensing</li> </ul>



## HN-1510 Outdoor Base/Remote Station

### Introduction

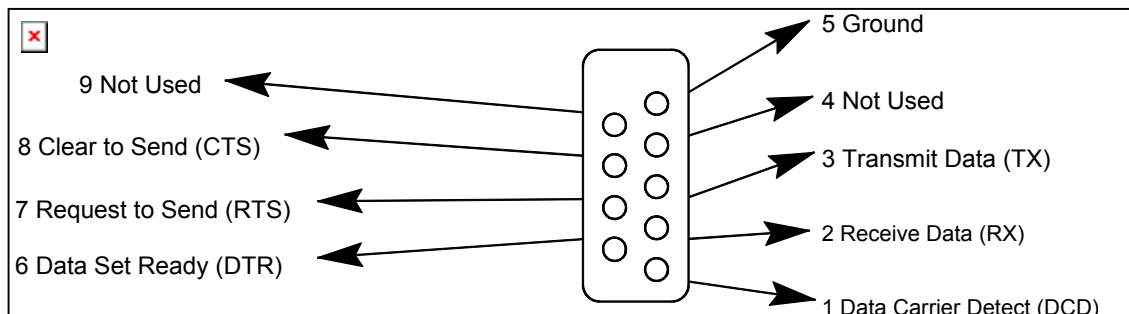
The HopNet Indoor Base/Remote Station (HN-1510) features a rugged, compact, enclosure for indoor or harsh industrial environments.

### Data Transmission

The HN-1510 supports up to 62 remotes on a single network, with up to 16 different networks in the same area. The HN-1510 can usually transmit over a range of 300 to 1000 feet indoors with obstructions. You can extend this range by adding a HopNet Repeater (HN-2010) or using gain antennas.

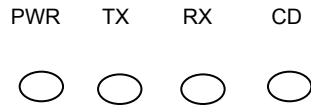
The automatic repeat requests (ARQ) and multinode protocol are transparent to the user equipment. User data rates of 230 Kbps are supported with built-in CRC/ARQ error protocols. Data signals are EIA RS-232 standard for Data Communications Equipment (DCE) devices.

Data and control of the radio are passed through a standard DB9 connector. See the following illustration for the signal description.



## LED Status

Four LED indicators are included on the front panel to provide the status of the HN-1510 Indoor Base/Remote station. See the illustration below. These built-in flow control indicators allow you to quickly check the operational status.



The table below describes the function of each LED.

Name	Color	Description
PWR	Green	Continuous DC power is applied
TX	Red	RS-232 signal input
RX	Red	RS-232 signal output
CD	Red	Normal operation is asserted

## Power Connection

The HN-1510 is supplied with a 110/ 220 wall mount power supply. However, you can operate the HN-1510 from any well-filtered 7.5 to 24 VDC power source. The power supply should be capable of providing 500 milliamperes of current.

The indoor base station uses a separate 2-pin power connector that accepts 7.5 to 24 VDC. Power connects to the 2-pin connector on the front panel of the transceiver. A polyfuse is on the transceiver board to protect against short circuits.

## Antenna Connection

The RF signal is brought in on a standard female TNC jack connector located on the front panel.

Use the following guidelines when installing the antenna:

- Strictly follow the antenna manufacturer's installation instructions for proper operation of the antenna.
- Be sure to use proper polarization for any system using a gain type antenna. If you orient the antenna with the wrong polarization, a signal reduction of greater than 20 dB could result.
- Use a low-loss feedline with the HN-1510. Keep the feedline as short as possible to minimize signal loss.
- Use proper care when installing the feedline to prevent damage. Do not twist, stretch, or kink the cable.
- Be sure to securely fasten the cable and only use connectors that have been recommended by the cable manufacturer.

## Technical Specifications

Refer to the following table for the technical specifications for the HN-1510.

### General

Specification	Value
Frequency Band	<ul style="list-style-type: none"> <li>• 2401-2475 MHz (USA)</li> <li>• 2448-2478 MHz (France)</li> <li>• 2448-2473 MHz (Spain)</li> <li>• 2473-2495 MHz (Japan)</li> <li>• 2452-2478 MHz ( Canada)</li> </ul>
Number of Channels	<ul style="list-style-type: none"> <li>• 75 US; 25 France, Spain, Japan, Canada</li> </ul>
Approvals	<ul style="list-style-type: none"> <li>• US FCC: Part 15. 203</li> <li>• European Community: ETS 300.328 Compliance</li> <li>• CE Marked</li> </ul>
Data Rate	<ul style="list-style-type: none"> <li>• Up to 230 Kbps Async Throughput</li> </ul>
Channel Data Rate	<ul style="list-style-type: none"> <li>• 460 Kbps</li> </ul>
Serial Data Interface	<ul style="list-style-type: none"> <li>• RS-232 Async</li> </ul>
Network Protocol	<ul style="list-style-type: none"> <li>• ARQ: E/TDMA</li> </ul>
TX Power Output	<ul style="list-style-type: none"> <li>• + 18 dBm</li> </ul>
Receive Sensitivity	<ul style="list-style-type: none"> <li>• -93 dBm</li> </ul>
RF Bandwidth	<ul style="list-style-type: none"> <li>• 750 KHz</li> </ul>
Modulation Type	<ul style="list-style-type: none"> <li>• GMSK</li> </ul>
Output Impedance	<ul style="list-style-type: none"> <li>• 50 <math>\Omega</math></li> </ul>
Antenna Connector	<ul style="list-style-type: none"> <li>• TNC RF Jack</li> </ul>
Input Power at Connector	<ul style="list-style-type: none"> <li>• 9 VDC Nominal</li> <li>• 7.5-24 VDC Operating</li> <li>• 160 mA Typical (750 mA surge)</li> </ul>

## Mechanical

Specification	Value
Case	<ul style="list-style-type: none"> <li>Aluminum</li> </ul>
Size	<ul style="list-style-type: none"> <li>7.9 in. x 5.7 in. x 2 in.</li> <li>201mm x 145mm x 51mm</li> </ul>
Weight	<ul style="list-style-type: none"> <li>1.6 lb</li> <li>726 g</li> </ul>
Data Connector	<ul style="list-style-type: none"> <li>DB-9 Receptacle</li> </ul>
2-pin Power Connector	<ul style="list-style-type: none"> <li>Conxall 1728822PG-300</li> </ul>
Mating Connector	<ul style="list-style-type: none"> <li>Conxall 16282-2SG-3xx</li> </ul>

## Environmental

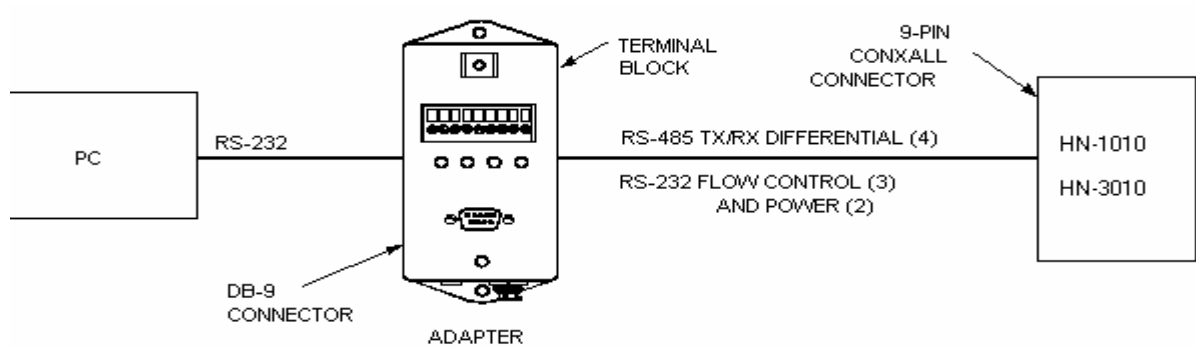
Specification	Value
Temperature Range	<ul style="list-style-type: none"> <li>-30° to 70° C</li> </ul>
Humidity	<ul style="list-style-type: none"> <li>95% at +40°C, Non-condensing</li> </ul>



## HN-3500 Adapter

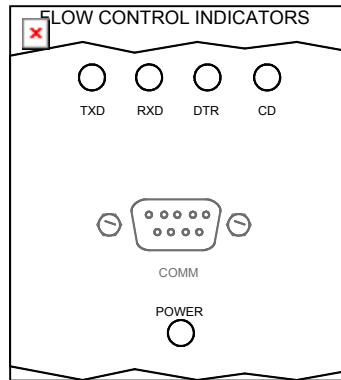
### Introduction

The HN-1010 and HN-3010 can be used with an RS-232 to RS-485 adapter (the HN-3500). The HN-3500 enables you to configure the HN-1010 and HN-3010 for RS-485 operation yet drive them from an RS-232 controller. The adapter housing is designed for an indoor environment.



## Flow Control Indicators

The HN-3500 has flow control indicators for testing and as a way to quickly check the operation of the adapter. Refer to the illustration below.

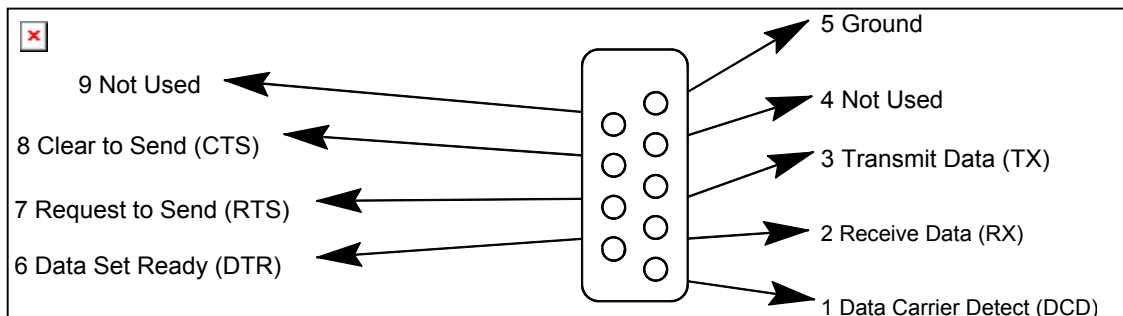


The table below describes the function of each LED.

Name	Color	Description
TXD	Red	Transmit Data
RXD	Red	Receive Data
DTR	Red	Data Terminal Ready
CD	Red	Carrier Detect
PWR	Green	Continuous DC power is applied

## DB-9 Connector

The HN-3500 is equipped with a DB-9 connector to link the RS-232 interface to a terminal block for the RS-485 interface. See the following illustration for the signal description.

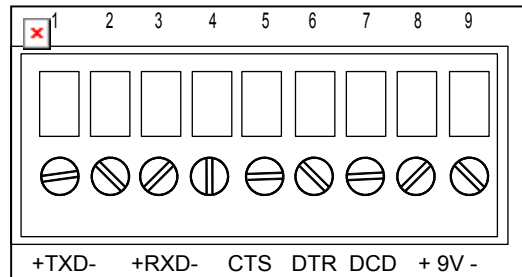


## Terminal Block

The terminal block on the connector converts RX and TX RS-232 signals into RS-485 differential. The terminal block also passes the following signals to the HN-1010 and HN-3010:

- CTS
- DTR
- DCD
- 9 VDC

See the illustration below of the terminal block.





## **Power Supply**

### **Introduction**

The HN-3500 provides the power necessary to operate the HopNet products. This power supply can also power the HN-2010. The power supply is designed for an indoor environment. The part number for this power supply is A-3200-1000.

### **AC to DC Conversion**

The external power supply connects to a 2-pin Conxall connector on the HN-3500 adapter. The adapter converts 115 AC to +9 VDC.

### **Alternate Power Sources**

Any filtered 9v to 24 VDC supply can be used to power HopNet products directly. Solar panels may be used provided they are capable of providing sufficient power.



# Configuring the Network

## Overview

### Introduction

You can configure the HopNet network using a PC and the WinCom 24 software provided by Cirronet, Inc. WinCom24 is a software package that runs under Windows 95/98/NT/2000/XP. This chapter provides the information you need to configure your network.

### Five Command Types

The WinCom24 software enables you to configure five types of commands:

- Serial Interface Commands
- Network Commands
- Protocol Commands
- Status Commands
- Memory Commands

## Installing the WinCom24 Software

Follow these steps to install the WinCom24 software.

1. Be sure that your monitor is set up for 800 by 600 pixels.
2. Insert the WinCom24 diskette into the floppy drive of your computer.
3. Click on **My Computer** from the Desktop and do the following:
  - Select the A: drive
  - Click on the Setup.exe and follow the install directions



## Modem Commands

The HopNet is configured and controlled through a series of commands. These commands are sent to the modem directly when the modem is in Control Mode or when the modem is in Data Mode if the escape sequence is enabled. The command syntax is the same for either method, a one- or two-letter command followed by one or more parameters. The modem will respond with a two-byte message that indicates the new modem parameter value. The commands are loosely grouped into five different categories: Serial commands, Network commands, Protocol commands, Status commands and Memory commands. Each command is described in detail below. In the descriptions, brackets ([,]) are used to denote a set of optional arguments. Vertical slashes (/) separate selections. For example, given the string **wn[?|0..3f]**, some legal commands are **wn?**, **wn0**, **wn3** and **wna**. Most commands which set a parameter also have a **?** option which causes the modem to respond with the current parameter setting, e.g., **wn?** Each modem command must be followed by either a carriage return or a line feed.

## Serial Commands

These commands affect the serial interface between the modem and the host. The default settings are 9600 bps and protocol mode 0.

Command	Description																						
sd[? 00..FF]	<p>Set Data Rate Divisor</p> <table> <thead> <tr> <th>Data Rate</th> <th>Divisor (hex)</th> </tr> </thead> <tbody> <tr> <td>1200 bps</td> <td>= BF</td> </tr> <tr> <td>2400 bps</td> <td>= 5F</td> </tr> <tr> <td>9600 bps</td> <td>= 17</td> </tr> <tr> <td>14400 bps</td> <td>= 0F</td> </tr> <tr> <td>19200 bps</td> <td>= 0B</td> </tr> <tr> <td>28800 bps</td> <td>= 07</td> </tr> <tr> <td>38400 bps</td> <td>= 05</td> </tr> <tr> <td>57600 bps</td> <td>= 03</td> </tr> <tr> <td>115200 bps</td> <td>= 01</td> </tr> <tr> <td>230400 bps</td> <td>= 00</td> </tr> </tbody> </table>	Data Rate	Divisor (hex)	1200 bps	= BF	2400 bps	= 5F	9600 bps	= 17	14400 bps	= 0F	19200 bps	= 0B	28800 bps	= 07	38400 bps	= 05	57600 bps	= 03	115200 bps	= 01	230400 bps	= 00
Data Rate	Divisor (hex)																						
1200 bps	= BF																						
2400 bps	= 5F																						
9600 bps	= 17																						
14400 bps	= 0F																						
19200 bps	= 0B																						
28800 bps	= 07																						
38400 bps	= 05																						
57600 bps	= 03																						
115200 bps	= 01																						
230400 bps	= 00																						
sp[? 00..14]	<p>Set Protocol Mode</p> <table> <tbody> <tr> <td>00</td> <td>= point-to-point transparent mode</td> </tr> <tr> <td>01</td> <td>= basic command and data only</td> </tr> <tr> <td>02</td> <td>= command, data and connection notification</td> </tr> <tr> <td>04</td> <td>= WIT2400 protocol mode</td> </tr> <tr> <td>05 – 08</td> <td>= <i>reserved for future use</i></td> </tr> <tr> <td>09</td> <td>= mode 01 during transmit, transparent receive</td> </tr> <tr> <td>0C</td> <td>= mode 04 during transmit, transparent receive</td> </tr> <tr> <td>0D – 10</td> <td>= <i>reserved for future use</i></td> </tr> <tr> <td>11</td> <td>= transparent transmit, mode 01 during receive</td> </tr> <tr> <td>12</td> <td>= transparent transmit, mode 02 during receive</td> </tr> <tr> <td>14</td> <td>= transparent transmit, mode 04 during receive</td> </tr> </tbody> </table>	00	= point-to-point transparent mode	01	= basic command and data only	02	= command, data and connection notification	04	= WIT2400 protocol mode	05 – 08	= <i>reserved for future use</i>	09	= mode 01 during transmit, transparent receive	0C	= mode 04 during transmit, transparent receive	0D – 10	= <i>reserved for future use</i>	11	= transparent transmit, mode 01 during receive	12	= transparent transmit, mode 02 during receive	14	= transparent transmit, mode 04 during receive
00	= point-to-point transparent mode																						
01	= basic command and data only																						
02	= command, data and connection notification																						
04	= WIT2400 protocol mode																						
05 – 08	= <i>reserved for future use</i>																						
09	= mode 01 during transmit, transparent receive																						
0C	= mode 04 during transmit, transparent receive																						
0D – 10	= <i>reserved for future use</i>																						
11	= transparent transmit, mode 01 during receive																						
12	= transparent transmit, mode 02 during receive																						
14	= transparent transmit, mode 04 during receive																						

### Set Data Rate Divisor

Sets the serial bit rate between the modem and the host. This command takes effect immediately and will require adjusting the host serial rate to agree. Nonstandard rates may be programmed by entering a data rate divisor computed with the following formula:

$$\text{DIVISOR} = (230400/\text{RATE})-1$$

Round all non-integer values down.

## Set Protocol Mode

Enables the base station to operate in a multipoint network. Depending on the user application, more or less acknowledgment may be desired by the application. Remotes can operate in transparent mode even though the base station is operating in one of the nontransparent modes.

When using a protocol mode, make sure to count in packet overhead when calculating network performance. Refer to the section on *Protocol Modes* for details on each format.

## Network Commands

Network commands are used to set up a HopNet network and to set radio addressing and configuration.

Command	Description
wb[? 0 1]	Set Transceiver Mode 0 = remote (default) 1 = base station
wd[? 1-3f] (base only)	Set Default Handle Used to override automatic handle assignment by the base station 30 = default
wg[? 0 1 2]	Enable Global Network Mode 0 = Link only to hop pattern specified by wn parameter (default) 1 = Link to any hop pattern, regardless of wn parameter 2 = Seamless roaming mode
wn[? 0-3f]	Set Hopping Pattern (Network Number) 0 = default
wp[? 0 1]	Set Transmit Power 0 = 10mW 1 = 100mW (default)
wr?	Read Receive Signal Strength (remote only)
dx[? 0-FF] (remote only)	Set Range optimization 0 = default

### Set Transceiver Mode

Sets modem operation as either base station or remote. Default is remote.

### Set Default Handle

This handle will override the automatic handle assignment by the base station. When specified for the base, the default handle determines which remote it will address when transparent protocol mode is in effect. When 3FH is specified for the base, broadcast mode is entered.

## Enable Global Network Mode

For networks with multiple base stations, remotes are ordinarily only able to link to one base station, set by the hopping pattern. Mode 1 enables the global mode that allows remotes to link to any base station they can hear, acquiring whatever hop pattern is required. In this mode a remote can only change base stations once it is no longer registered with a base station. Mode 2 enables seamless roaming where a remote will seamlessly register with a new base station based on received signal strength before it has lost registration with the old base station. To implement seamless roaming without the potential for data loss, synchronization between base stations is required. This feature is available in the SNAP2410 family of products only. Bases and remotes must be set to the same mode.

## Set Hopping Pattern

The HopNet has 64 preprogrammed hopping patterns (also referred to as network numbers). By using different hopping patterns, nearby or co-located networks can avoid interfering with each other's transmissions. Even if both networks tried to use the same frequency, on the next hop they would be on different frequencies.

## Set Transmit Power

The HopNet has two preset transmit power levels, 10mW (10dBm) and 100mW (20dBm). Control of the transmit power is provided through this command. Default is 100mW.

## Read Receive Signal Strength Indicator (RSSI)

This command reports the relative signal strength averaged over the last 10 hops. This command returns a one byte value that is proportional to received signal strength and can range from **00H** to **FFH**. Typical values range from **30H** to **80H** where the lower the number the lower the received signal strength and the higher the number the higher the received signal strength. This is a relative indication and does not directly correspond to a field strength number. This is available only at the remotes as the base station is the only source that transmits on a regular basis. Plus, in a point-to-multipoint network the base will receive different signal strengths from each remote.

## Set Range Optimization

This command applies an adjustment factor to the over-the-air timing of remotes to compensate for the effects of propagation delay at long ranges. The default setting of **00H** is suitable for ranges of 0 to 0.8 miles (1287 m), with optimal performance at 0.1 miles (162m). Each increment of this parameter adds 0.1 miles (162 m) to the working range. Thus the optimal and max ranges are determined by:

$$\text{optimal} = 0.1\text{mi} + 0.1\text{mi} \times \mathbf{dx} = 0.17\text{km} + 0.17\text{km} \times \mathbf{dx}$$

$$\text{max} = 0.8\text{mi} + 0.1\text{mi} \times \mathbf{dx} = 1.33\text{km} + 0.17\text{km} \times \mathbf{dx}$$

The following table presents various values of dx and the associated optimal and max ranges.

<i>dx setting</i>	<i>range: min</i>	<i>optimal</i>	<i>max</i>
00H	0mi/0km	0.1mi/0.2km	0.8mi/1.3km
01H	0mi/0km	0.2mi/0.3km	0.9mi/1.5km
04H	0mi/0km	0.5mi/0.8km	1.2 mi/2.0km
06H	0.1mi/0.2km	0.7mi/1.2km	1.4mi/2.3km
09H	0.4mi/0.7km	1.0mi/1.6km	1.8 mi/3.0km
13H	1.4mi/2.3km	2.0mi/3.3km	2.8mi/4.7km
31H	4.4mi/7.3km	5.0mi/8.3km	5.8 mi/9.7km
45H	6.4mi/10.7km	7.0mi/11.7km	7.8mi/13.0km
64H	9.4mi/15.7km	10.0mi/16.7km	10.8mi/18.0km
C8H	9.4mi/32.3km	20.0mi/33.3km	20.8mi/34.7km
FAH	4.4mi/40.7km	25.0mi/41.7km	25.8mi/43.0km

*Optimal 'dx' setting for various distances.*

## Protocol Commands

These commands can be used to tune the transceiver for optimum transmission of data across the RF link. For most applications, the default values are adequate.

Command	Description
pe[? 0-4]	Set Alternative Frequency Band 0 = FCC/ETSI operation. (~2401 – 2471MHz) (default) 1 = France (~2448 – 2473MHz) 2 = Spain (~2448 – 2473MHz) 3 = Japan (~2473 – 2495MHz) 4 = Canada (~2452 – 2478MHz)
ph[? 00-fe] (base only)	Set Hop Duration 90H = default (=10ms)
pk[? 00-d0]	Set Minimum Data Length 01 = default
pl?	Get Maximum Data Length D4 = default (=212 bytes)
pn[? 01-3e] (base only)	Set Maximum Number of Remotes 3e = default (=62 remotes)
pr[? 00-ff]	Set Packet Attempts Limit 10H = default FFH = Infinite retry (RF flow control point-to-point only)
pt[? 00-ff]	Set Data Transmit Delay 00H = default
pv[? 0 1] (base only)	Set Slot Assignment Mode 0 = default (dynamic slot assignment) 1 = static slot assignment
pw[? 00-34] (base only)	Set Base Slot Size 08H = default (=32 bytes)
px[? 0 1]	Set ARQ mode. 0 = ARQ enabled (default) 1 = ARQ disabled (redundant transmission)

**Note: Incorrect setting of these parameters may result in reduced throughput or loss of data packets.**

## Set Alternative Frequency Band

When set to 1, limits the operating RF channel set to the 2448 to 2473MHz frequency band for compliance with French regulatory standards. When set to 2, sets appropriate operation for Spain. When set to 3, sets appropriate operation for Japan. This setting should be set to 0, for FCC-compliant operation in the US (this is the default). For Canadian operation, set this parameter to 4.

## Set Hop Duration

Sets the length of time the transceiver spends on each frequency channel. A smaller value will allow the remote to lock on to the base signal faster at system startup, and will generally decrease packet latency. A larger value increases network capacity, due to decreased overhead in channel switching. The hop duration is specified in 69.4 $\mu$ s increments. The default value of **90H** corresponds to a duration of 10ms. The maximum value of **FEH** is 17.627ms. For best results, do not specify a duration of less than 3 ms. This value only needs to be set in the base which broadcasts the parameter to all remotes. However, link time can be reduced if this value is also programmed into the remotes, which use it as a starting value when scanning for the base.

## Set Minimum Data Length

This sets the minimum threshold number of bytes required to form a packet in transparent mode. The radio will wait until the data transmit delay elapses before sending a data packet with less than this number of bytes. Can be used to keep short, intermittent transmissions contiguous. In packet modes, the length parameter in the data packet will override this value (See Section 3.1). This value is subject to the maximum data length even in packet mode. See Get Maximum Data Length below.

## Get Maximum Data Length (read only)

This parameter indicates the largest number of bytes that a remote will transmit per hop, based on the size of the slot it has been allocated by the base. In general more remotes mean less data can be transmitted per remote. By reading this parameter and dividing by the hop duration, the remote's data rate capacity can be determined. Attempting to send protocol mode packets longer than *maximum data length* will result in the packet being discarded without being sent. See Section 2.3.3 on the tradeoffs between *hop duration* and data length.



## Set Maximum Number of Remotes (base only)

This parameter limits the number of remotes that can register with a given base. The default is 62 remotes which is the maximum number of remotes that can be registered with a base at one time. This command is useful when used in conjunction with global roaming for load balancing when base stations are collocated. It is also useful to assure a minimum remote throughput.

## Set Packet Attempts Limit

If *ARQ Mode* is set to 0, sets the number of times the radio will attempt to send an unsuccessful transmission before discarding it. If *ARQ Mode* is set to 1, it is the number of times every transmission will be sent, regardless of success or failure of a given attempt. When this parameter is set to **FFH**, RF flow control mode is entered for transmissions from the radio (See Section 2.3.4). This mode can be entered for one or both radios in a point-to-point system. Using this mode in a point-to-multipoint system will stop transmissions to all radios when any one radio has a full buffer.

## Set Data Transmit Delay

When used in conjunction with the *minimum data length* parameter, this sets the amount of time from the receipt of a first byte of data from the host until the radio will transmit in transparent mode. Default is 00H which causes transmission to occur without any delay. When a host is sending a group of data that needs to be sent together, setting this parameter will provide time for the group of data to be sent by the host before the radio transmits. If the length of data to be sent together is longer than the time slot can send, the data will not be sent together but will be broken up over multiple hops. The length of time the radio will wait is equal to the specified value times the hop duration.

## Set Slot Assignment Mode (base station only)

Sets whether the base station will assign remote transmit slots dynamically, based on the number of remotes currently registered or whether the base station will assign remote transmit slots statically, based on the *maximum number of remotes* parameter. If static slot assignment is selected, make sure *maximum number of remotes* is correctly set. Otherwise remote transmit performance will suffer as transmit time will be reserved for remotes that may not exist. The dynamic assignment mode will generally be preferred; however, the static assignment mode will result in a static *maximum data length* parameter.

### **Set Base Slot Size (base station only)**

Sets the amount of time allocated for transmission on each hop for the base station time slot in 69.4 $\mu$ s increments, corresponding to 4 bytes per unit. Maximum value is **34H** which corresponds to 208 bytes. If using a protocol mode, attempting to send a packet with a length longer than this setting will cause the packet to be discarded.

### **Set ARQ Mode**

Sets ARQ mode when set to 0 which is the default. In this mode the radio will resend an unsuccessful transmission until either successful or *packet attempt limit* attempts have been made. When set to 1 selects redundant transmit mode that will send every transmission *packet attempt limit* times regardless of success or failure of any given attempt. When redundant transmit mode is used, receiving radios will discard all subsequent retransmissions once the transmission has been successfully received. Thus the receiving host will receive just one copy of the transmission.

## Status Commands

These commands deal with general interface aspects of the operation of the HopNet.

Command	Description
zb[? 0 1]	Banner Display Disable 0 = disabled 1 = enabled (default)
zc[? 0..2]	Set Escape Sequence Mode 0 = disabled 1 = once after reset (default) 2 = unlimited times
zh?	Read factory serial number high byte.
zm?	Read factory serial number middle byte.
zl?	Read factory serial number low byte.
zp[? 0-5]  (base only)	Set the duty cycle at which the modem will wake up to send and receive data. Duty cycle equals $1/2^N$ where the argument of the command equals N.
zq[? 0 1]  (remote only)	Low Power Acquisition Mode Enable 0 = Disabled (default) 1 = Enabled
z>	Exit Modem Control Mode

### Banner Display Disable

Enables or disables display of the banner string and revision code automatically at power-up. May be disabled to avoid being mistaken for data by the host.

### Set Escape Sequence Mode

Enables or disables the ability to use the in-data-stream escape sequence method of accessing Control Mode by transmitting the string ":wit2410". When this mode is set to 1, the escape sequence only works immediately after reset (this is the default). When set to 2, the escape sequence may be used at any time in the data stream when preceded by a pause of 20 ms. For backwards compatibility with the WIT2400, the string ":wit2400" is also accepted for entering Control Mode. Note that the escape sequence must be interpreted as data by the radio until the last character is received, and as such will be transmitted to a receiving radio station.

## **Read Factory Serial Number High, Middle and Low Bytes.**

These read only commands return one of the three bytes of the unique factory-set serial number, which are also visible in the startup banner.

## **Set Duty Cycle**

Allows reduced power consumption by having a remote wake up only every  $2^N$  hops to receive and transmit. Power consumption is roughly proportional to the duty cycle selected. For example, if  $N=2$ , the remote will wake up every fourth hop. Power consumption will be roughly  $\frac{1}{4}$  the consumption as when  $N=0$ . This parameter must be set to the appropriate value when more than 16 remotes are in use.

## **Enable Low Power Acquisition Mode**

When a remote is searching for a base to acquire and register with, it scans the frequency band very rapidly. This mode consumes about 80mA of current during this mode. To reduce the frequency consumption when a remote is in acquisition mode, a low power acquisition mode is provided. In this mode, the remote only scans the frequency band every other hop. This will reduce the average current consumption during acquisition to about 40mA. The tradeoff is it can take twice as long to acquire and register with a base, or up to 4 seconds.

## Memory Commands

The user is able to store a configuration in nonvolatile memory, which is loaded during the initialization period every time the radio is powered up. Note that changes to the serial port baud rate- from recalling the factory defaults or recalling memory - will not take effect until DTR is toggled or power to the radio is cycled.

Command	Description
m0	Recall Factory Defaults
m<	Recall Memory
m>	Store Memory

### Recall Factory Defaults

Resets the HopNet to its factory default state. This is useful for testing purposes or if there is a problem in operation of the system and the configuration is suspect. Use the *Store Memory* command afterwards if you wish the factory default settings to be remembered the next time you cycle power or reset the radio.

### Recall Memory

Useful for restoring the power-on settings after experimenting with temporary changes to data rate, protocol or network parameters, etc.

### Store Memory

This command is necessary after any command to change the data rate, transceiver address, or other radio setting that you wish to make permanent.

## Modem Command Summary

### Serial Commands

sd[? 00..ff]	Set Data Rate Divisor
sp[? 00..14]	Set Protocol Mode

### Network Commands

wb[? 0 1]	Set Transceiver Mode
wd[? 1..3f]	Set Default Handle
wn[? 00..3f]	Set Hopping Pattern
wg[? 0 1 2]	Enable Global Network Modes
wp[? 0 1]	Set Transmit Power
wr?	Read Receive Signal Strength (remote only)
dx[? 0..62]	Set Range Optimization (remote only)

### Protocol Commands

pe[? 0..4]	Set Alternative Frequency Band
ph[? 00..fe]	Set Hop Duration (base only)
pl?	Get Maximum Data Length
pn[? 01..3e]	Set Maximum Number of Remotes(base only)
pk[? 00..d4]	Set Minimum Data Length
pr[? 00..ff]	Set Packet Attempts Limit
pt[? 00..ff]	Set Data Transmit Delay (remote only)
pv[? 0 1]	Set Slot Assignment Mode (base only)
pw[? 00..40]	Set Base Slot Size (base only)
px[? 0 1]	Set ARQ Mode

### Status Commands

zb[? 0 1]	Banner Display Disable
zc[? 0..2]	Set Escape Sequence Mode
zh?	Read Factory Serial Number High Byte
zm?	Read Factory Serial Number Middle Byte
zl?	Read Factory Serial Number Low Byte
zp[? 0..4]	Set Duty Cycle(base only)
zq[? 0 1]	Enable Low Power Acquisition (remote only)
z>	Exit Modem Control Mode

### Memory Commands

m0	Recall Factory Defaults
m<	Recall Memory
m>	Store Memory

---

## Guidelines for Installation

When installing your system, always consider the following points:

- Directional antennas are best for remote unit sites. They may increase the cost, but they confine the transmission path to a narrow lobe and minimize the interference from nearby stations.
- For systems with constant interference present, you may need to change the polarity of the antenna system and reduce data streams. Groups of short data streams are more reliable and have a better chance of success in the presence of interference than do long streams.
- Systems installed in rural areas are least likely to encounter urban interference.
- Multiple HopNet systems can operate in close proximity to each other but require a unique network address.
- Poor quality coaxial cables will seriously degrade system performance. Use low-loss cable that is suitable for 2.4 GHz operation.
- Short cable runs minimize signal loss.





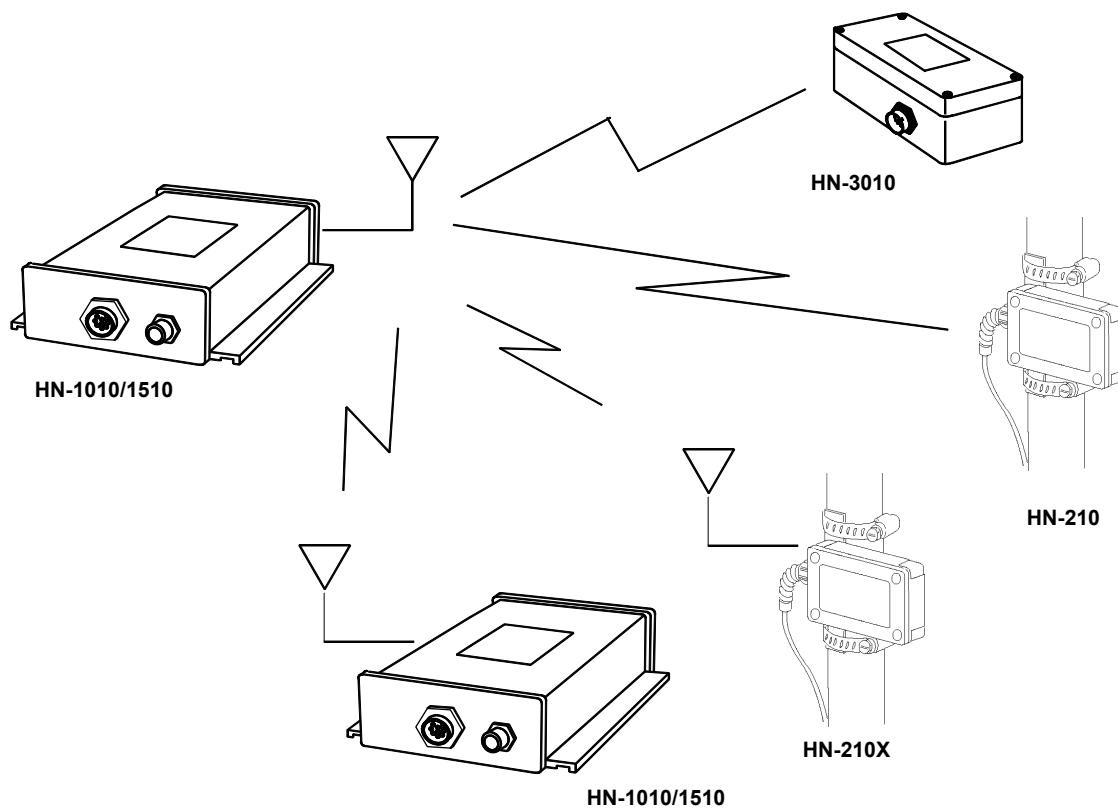
## Typical HopNet Applications

### Introduction

The illustration below shows a complete network of multiple data sources connected to a central base. Units that are out of range are connected through a repeater. See the illustration of a point-to-point application on the next page.

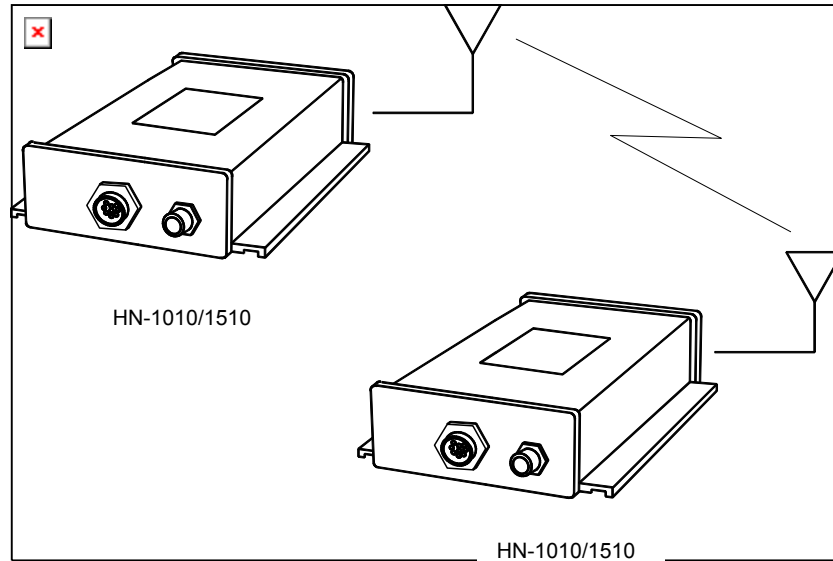
### Point to Multipoint

This common application consists of a central host and remote terminal units or other data collection devices. The automatic repeat requests (ARQ) and acknowledgments inside the radio are transparent to the computer system.



## Point-to-Point

A point-to-point application as shown below provides a communication data link between two locations.



# Troubleshooting

## Overview

### Introduction

Troubleshooting the HopNet products is not difficult, but it does require a logical approach. It is best to begin troubleshooting at the base station because the rest of the system synchronizes to it. If the base station has problems, the entire network will be compromised.

This chapter provides troubleshooting information for your HopNet products.

### Transceiver Requirements

For proper operation, all transceivers in the network must meet these basic requirements:

- Adequate and stable power
- Secure connections ( Power, RF, and Data)
- Proper programming especially Hop Duration and Network Address

## Common System Problems

The following table offers suggestions for resolving some common system problems that the operator may experience from the radio system. If problems persist, contact the factory for further assistance.

Problem	System Checks
Unit is inoperative	<ol style="list-style-type: none"> <li>1. Check for proper DC voltage at the power connector.</li> <li>2. Momentarily remove and reapply power.</li> </ol>
No Carrier Detect at remote units or intermittent	<ol style="list-style-type: none"> <li>1. Check for secure interface connections at the transceiver.</li> <li>2. Check antenna, feedline, connectors, and reflective power.</li> <li>3. If remote unit is in synchronization but performance is poor, it may indicate antenna problems. Check for properly aligned antenna headings.</li> <li>4. Verify proper programming of the system parameters.</li> </ol>
Interference is suspected	<ol style="list-style-type: none"> <li>1. Verify that the system has a unique network address. Nearby systems with same address will cause interference problems.</li> <li>2. If Omni-directional antennas are used with the remote units, consider using a directional type instead. This will often limit interference to and from other stations.</li> <li>3. Check RSSI value at the remote. A low value would correspond to a weak signal strength.</li> </ol>

## Guidelines for Reducing Interference

### Introduction

The transceivers share the same frequency spectrum with other services and other Part 15 devices in the US. Because of this, you may not achieve 100 percent error free communications in a given location. You should also expect some level of interference. However, the flexible design of the radio and the hopping pattern should allow for adequate performance as long as care is taken in choosing station location, configuration parameters of the transceivers, and protocols techniques.

Use the following guidelines to reduce interference in your HopNet system.

### Guidelines for Setting Up the Network

In general, the following points should be followed when setting up a network:

- Systems installed in rural areas are least likely to encounter interference.
- If possible, use directional antennas at remote sites. The directional antennas confine the transmission path and reception pattern to a comparatively narrow lobe, which minimizes interference from stations located outside the pattern.
- Multiple HopNet systems can co-exist in close proximity to each other with very minor interface as long as they are assigned a unique network address. Each network address has a different hop pattern.
- If interference is suspected from a similar operating system, change the antenna polarization. This will provide an additional 20dB of attenuation to interference.
- For indoor applications, set all transceivers for the lowest level necessary for reliable communications. This lessens the chance of interference from nearby systems.

### Guidelines for Selecting Your Site

Use these guidelines to select a proper site for the master remote stations. Suitable sites must provide the following:

- An adequate and stable source of primary power.
- Antenna location that provides an unobstructed transmission path in the direction of the associated units.
- Proper antenna selection, data access, and feedline cabling
- A clear line-of-sight. Microwave radio signals travel primarily by line-of-sight, and obstructions between the sending and receiving stations will affect system performance.

## Guidelines for Avoiding Terrain Obstructions

The HopNet transceivers operate in the 2.4 GHz frequency band. While this band offers many advantages over the VHF band for data transmission, it is also more prone to signal attenuation from obstructions such as terrain, foliage, buildings and anything else in the transmission path.

Use the following guidelines to avoid terrain obstructions:

- A line-of-sight transmission path between the base and the associated remote sites provides for the most reliable transmission path.
- A line-of-sight path can be achieved by mounting the station antenna on a tower or elevated structure that raises it to a sufficient level to clear surrounding terrain and other obstructions.
- The importance of a clear transmission path relates closely to the distance to be covered. If the system is to cover only a limited geographical area such as 1-3 miles, then some obstructions may be tolerated with minimal impact.
- For longer-range systems, any substantial obstruction in the transmission path could compromise the performance of the system.

## Customer Support

### Introduction

Cirronet, Inc. products are designed for long life and trouble free operation. The following information is provided if servicing becomes necessary.

### Technical Assistance

Technical assistance for Cirronet products is available during the hours of 9:00 A.M – 5:30 P.M. Eastern Standard Time. When calling, please have available the complete model name, serial number, and a complete description of the problem. Most problems can be resolved without returning the unit to the factory.

The following telephone numbers are available for assistance.

Phone	678-684-2000
Fax	678-684-2001

### Factory Repairs

If return of equipment is necessary, you will be issued a Return Material Authorization number (RMA #). The RMA # will help expedite the repair so that equipment can be returned as quickly as possible. Please be sure to include the RMA number (#) on the outside of the shipping box and on any correspondence relating to the repair. Any equipment returned without an RMA # may be delayed in the repair cycle.

Please be sure to carefully package all items to be returned and address to:

CIRRONET, INC.  
5375 Oakbrook Parkway  
Norcross, GA 30093

RMA # \*\*\*

## Warranty

Seller warrants solely to Buyer that the goods delivered hereunder shall be free from defects in materials and workmanship, when given normal, proper and intended usage, for twelve (12) months from the date of delivery to Buyer. Seller agrees to repair or replace at its option and without cost to Buyer all defective goods sold hereunder, provided that Buyer has given Seller written notice of such warranty claim within such warranty period. All goods returned to Seller for repair or replacement must be sent freight prepaid to Seller's plant, provided that Buyer first obtain from Seller a Return Goods Authorization before any such return. Seller shall have no obligation to make repairs or replacements which are required by normal wear and tear, or which result, in whole or in part, from catastrophe, fault or negligence of Buyer, or from improper or unauthorized use of the goods, or use of the goods in a manner for which they are not designed, or by causes external to the goods such as, but not limited to, power failure. No suit or action shall be brought against Seller more than twelve (12) months after the related cause of action has occurred. Buyer has not relied and shall not rely on any oral representation regarding the goods sold hereunder, and any oral representation shall not bind Seller and shall not be a part of any warranty.

**THE PROVISIONS OF THE FOREGOING WARRANTY ARE IN LIEU OF ANY OTHER WARRANTY, WHETHER EXPRESS OR IMPLIED, WRITTEN OR ORAL (INCLUDING ANY WARRANTY OR MERCHANT ABILITY OR FITNESS FOR A PARTICULAR PURPOSE). SELLER'S LIABILITY ARISING OUT OF THE MANUFACTURE, SALE OR SUPPLYING OF THE GOODS OR THEIR USE OR DISPOSITION, WHETHER BASED UPON WARRANTY, CONTRACT, TORT OR OTHERWISE, SHALL NOT EXCEED THE ACTUAL PURCHASE PRICE PAID BY BUYER FOR THE GOODS. IN NO EVENT SHALL SELLER BE LIABLE TO BUYER OR ANY OTHER PERSON OR ENTITY FOR SPECIAL, INCIDENTAL OR CONSEQUENTIAL DAMAGES, INCLUDING, BUT NOT LIMITED TO, LOSS OF PROFITS, LOSS OF DATA OR LOSS OF USE DAMAGES ARISING OUT OF THE MANUFACTURE, SALE OR SUPPLYING OF THE GOODS. THE FOREGOING WARRANTY EXTENDS TO BUYER ONLY AND SHALL NOT BE APPLICABLE TO ANY OTHER PERSON OR ENTITY INCLUDING, WITHOUT LIMITATION, CUSTOMERS OF BUYERS.**



**Notes:**

