

February 23, 2001

Mr. Mark Tucker
Vice President of Engineering
Digital Wireless
5375 Oakbrook Parkway
Norcross, GA 30093

Dear Mr. Tucker:

In our opinion, the Digital Wireless Corporation HN-1010 meets FCC Part 15, Class A Verification requirements when tested in the configuration described in our enclosed test report.

Please sign the signature page of the report and keep it in your files as proof that the product has been tested.

Also enclosed for your information, are instructions on Part 15 labeling requirements. If you have any questions, please don't hesitate to call. Thank you for your business.

Sincerely,



Timothy R. Johnson
Engineering Manager
NARTE Certified EMC Engineer
No. EMC-002205-NE



**Part 15, Class A Verification Test Report
of the
Digital Wireless Corporation
HN-1010**

**Issue Date: February 23, 2001
UST Project No: 00-0599**

Total Number of Pages Contained Within This Report: 15

FCC CLASS A LABELING INFORMATION

MANUAL

(a) For a Class A digital device or peripheral, the user instructions must include the following or similar statement, placed in a prominent location in the text of the manual:

NOTE: This equipment has been tested and found to comply with the limits for a Class A digital device, pursuant to Part 15 of the FCC Rules. These limits are designed to provide reasonable protection against harmful interference when the equipment is operated in a commercial environment. This equipment generates, uses, and can radiate radio frequency energy and, if not installed and used in accordance with the instruction manual, may cause harmful interference to radio communications. Operation of this equipment in a residential area is likely to cause harmful interference in which case the user will be required to correct the interference at his own expense.

15.21 INFORMATION TO USER

The user's manual or instruction manual for an intentional or unintentional radiator shall caution the user that changes or modifications not expressly approved by the party responsible for compliance could void the user's authority to operate the equipment.

15.27 SPECIAL ACCESSORIES

Accessory items that can be readily obtained from multiple retail outlets are not considered to be special accessories and are not required to be marketed with the equipment. The manual included with the equipment must specify what additional components or accessories are required to be used in order to ensure compliance (i.e. shielded cables), and it is the responsibility of the user to provide and use those components and accessories.

15.19 LABELING REQUIREMENTS

This device shall bear the following statement in a conspicuous location on the device:

LABEL

This device complies with Part 15 of the FCC Rules. Operation is subject to the following two conditions: (1) This device may not cause harmful interference, and (2) this device must accept any interference received, including interference that may cause undesired operation.

NOTICE TO CUSTOMERS SELLING DIGITAL DEVICES IN CANADA

CANADIAN MANDATORY EMI REGULATION

As of January 31, 1989, Canada has implemented mandatory EMI regulations which apply to every digital apparatus manufactured or imported into Canada as of January 31, 1989.

The technical requirements of the Canadian regulations are equivalent to the US FCC Part 15, and Canada will accept tests performed using the ANSI C63.4 procedure. Equipment compliant with FCC Part 15 is also compliant with the Canadian regulation. Canada still requires their specific labeling to be placed on equipment.

The device shall bear the following statement in a conspicuous location:

"This (Class A/Class B)* digital apparatus complies with Canadian ICES-003."

"Cet appareil numérique (de la classe A/de la classe B)* est conforme à la norme NMB-003 Canada."

It is recommended that the label be written in both French and English, especially in French speaking areas of Canada.

Where because of insufficient space or other restrictions it is not feasible to affix a label to the apparatus, the labeling may be in the form of a statement included in the user's manual, but the following information should still be applied to the label:

"ICES-003/(A/B)*"

*Indicate only the class of digital apparatus which is appropriate for the specific application.

NOTICE FOR PRODUCTS WHICH CONTAIN A PREVIOUSLY APPROVED MODULAR TRANSMITTER/TRANSCEIVER

In some cases, Industry Canada may require additional information regarding your approved transmitter/transceiver. If your company requires assistance with submittal of any information, please contact U.S. Tech at (770)740-0717.

EXHIBIT A EVALUATION REPORT

A. DESCRIPTION OF EQUIPMENT UNDER TEST (EUT):

The Equipment Under Test (EUT) is the Digital Wireless Corporation HN-1010. The HN-1010 is an industrial wireless modem housed in an environmentally rugged enclosure. The circuitry inside the modem includes a WIT2410 frequency hopping transceiver (HSW-2410M), interface, and power conditioning circuitry. The user communicates with the device through a Conxall 9-pin connection. Power is also applied through the same connector. A 2.4 GHz antenna connects to the TNC port on the front panel.

B. TEST PROCEDURE (GENERAL):

The EUT was configured as shown in the following block diagram(s) and photograph(s). The sample was tested per ANSI C63.4, Methods of Measurement from Low-Voltage Electrical and Electronic Equipment in the Range of 9 kHz to 40 GHz (1992). Conducted and radiated emissions data were taken with the test receiver or spectrum analyzer's resolution bandwidth adjusted to 9 kHz and 120 kHz, respectively. All measurements are peak unless stated otherwise. The video filter on the spectrum analyzer was OFF throughout the evaluation process. Interconnecting cables were manipulated as necessary to maximize emissions. Table A4 describes other instruments and accessories used to evaluate this product.

Since the transmitter portion of the EUT was considered modularly approved, only digital device emissions were tested.

C. CHARACTERIZATION OF SAMPLE TESTED

The sample used for testing was received by U.S. Technologies on December 12, 2000 in good condition.

D. EUT ELECTRICAL MODE OF OPERATION

The primary mains voltage for the EUT was 120 VAC to a 9 VDC adapter.

E. TEST SOFTWARE AND/OR EXERCISING OF EUT

Software was not needed to operate the unit. The units are already pre-programmed by Digital Wireless to operate in test mode.

F. TEST SITE:

Testing was performed at US Tech's measurement facility at 3505 Francis Circle, Alpharetta, GA. This site has been fully described and submitted to the FCC, and accepted in their letter marked 31040/SIT. Additionally, this site has also been fully described and submitted to Industry Canada (IC), and has been approved under file IC2982.

G. MODIFICATIONS:

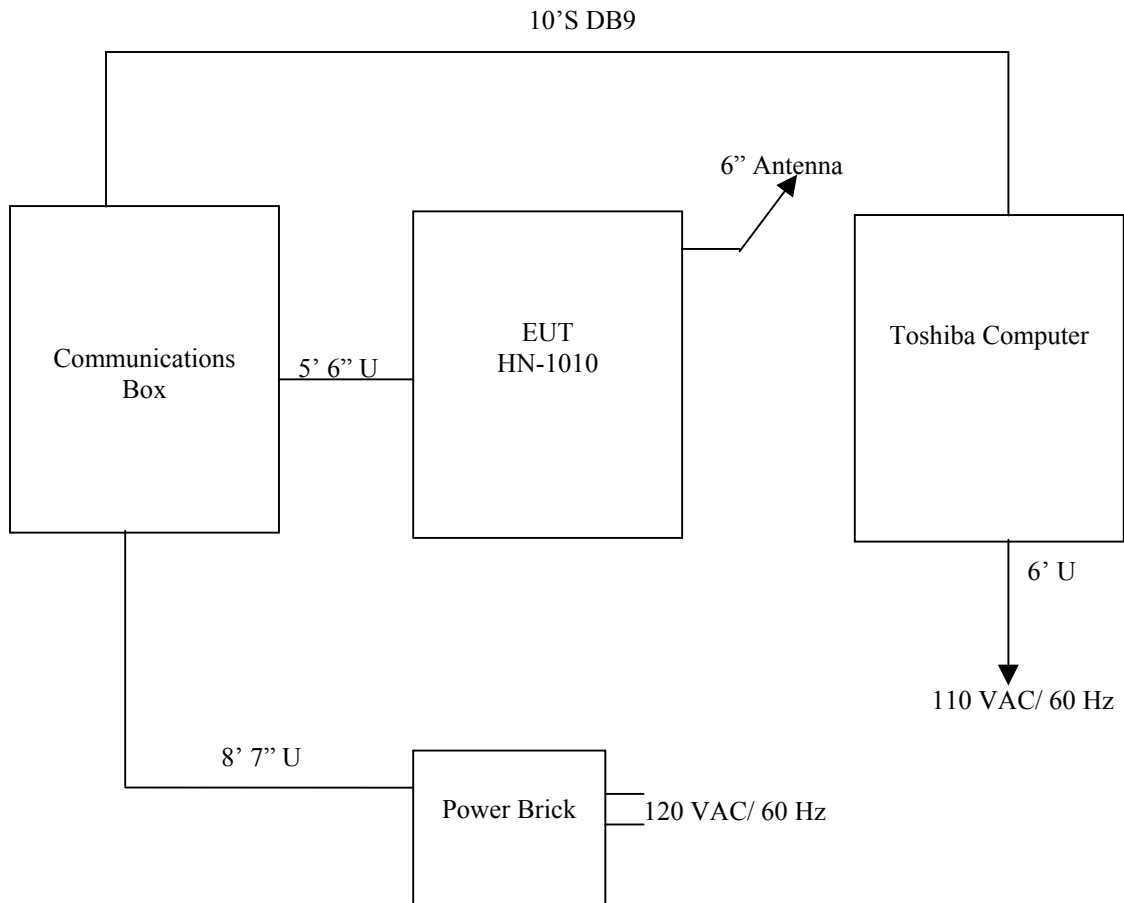
No modifications were necessary to bring the EUT into compliance with Part 15, Class A FCC Rules and Regulations.

H. TEST RESULTS:

The worst-case radiated emission was 18.0 dB below the Class A limit at 54.0 MHz. All other radiated emissions were at least 19.3 below the limit.

The worst-case conducted emission was 13.0 dB below the Class A limit at 0.455 MHz. All other conducted emissions were at least 14.0 below the limit.

Configuration of Tested System



Report Number: 00-0599

Customer: Digital Wireless

Model: HN-1010

EUT and Peripherals

PERIPHERAL MANU.	MODEL NUMBER	SERIAL NUMBER	FCC ID:	CABLES P/D
Industrial Wireless Modem (EUT) Digital Wireless	None	N/A	HSW-2410M (Modularly Approved)	0.6" Antenna 5' 6" U
Communications Box	None	635-28	N/A	10' S DB9
Computer Toshiba	PA1184VU	09543879-1	CJ60K323	6'U 110 VAC/ 60 Hz
AC Adapter Radio Shack	N/A	N/A	N/A	8' 7" U to power brick 120 VAC/ 60Hz Direct Plug-in

**TABLE A1. RADIATED EMISSIONS DATA
CLASS A**

Measurements 30 MHz – 1 GHz

FREQ. (MHz)	TEST DATA (dBm) @ 10m	ANTENNA FACTOR + CABLE ATTEN.	RESULTS (uV/m) @ 10m	LIMITS (uV/m) @ 10m	MARGIN BELOW LIMIT (dB)
54.0	-95.0	9.0	11.3	90.0	18.0
85.2	-98.0	9.8	8.7	90.0	20.3
171.8	-95.0	12.2	16.3	150.0	19.3
185.4	-96.0	12.0	14.1	150.0	20.5
110.8	-98.0	13.9	14.0	150.0	20.6
138.3	-98.0	13.7	13.6	150.0	20.9

SAMPLE CALCULATIONS:

RESULTS uV/m @ 10m =

Antilog ((- 95.0 + 9.0 + 107)/20) = 11.3

CONVERSION FROM dBm TO dBuV = 107 dB

Test Date: February 6, 2001

Tested by

Signature:



Name: Austin E. Thompson, Jr.

**TABLE A2. RADIATED EMISSIONS DATA
CLASS A**

Peak Measurements > 1 GHz

FREQ. (GHz)	TEST DATA (dBm) @ 3m	AMP GAIN (dB)	ANT. FACTOR (dB)	CABLE LOSS (dB)	RESULTS (uV/m) @ 10m	FCC LIMITS (uV/m) @ 10m	MARGIN BELOW LIMIT (dB)
----------------	-------------------------------	---------------------	------------------------	-----------------------	----------------------------	-------------------------------	----------------------------------

Since frequencies generated or used within the digital device portion of the product did not exceed 108 MHz, testing above 1 GHz was deemed unnecessary.

Test Date: February 6, 2001

Tested By

Signature:

Name: Austin E. Thompson, Jr.

Report Number: 00-0599

Customer: Digital Wireless

Model: HN-1010

TABLE A3. CONDUCTED EMISSIONS DATA**CLASS A**

FREQ. (MHz)	TEST DATA (dBm)		RESULTS (uV)		FCC LIMITS (uV)	MARGIN BELOW LIMIT (dB) PHASE	MARGIN BELOW LIMIT (dB) NEUTRAL
	PHASE	NEUTRAL	PHASE	NEUTRAL			
0.46	-60.0	-62.0	223.9	177.8	1000.0	13.0	15.0
0.51	-61.0	-64.0	199.5	141.3	1000.0	14.0	17.0
0.62	-62.0	-66.0	177.8	112.2	1000.0	15.0	19.0
0.65	-62.0	-67.0	177.8	100.0	1000.0	15.0	20.0
0.67	-62.0	-66.0	177.8	112.2	1000.0	15.0	19.0
0.66	-62.0	-65.0	177.8	125.9	1000.0	15.0	18.0

SAMPLE CALCULATIONS:**RESULTS uV =****Antilog $((-60.0 + 107)/20) = 223.9$** **CONVERSION FROM dBm TO dBuV = 107 dB****Test Date: January 26, 2001****Tested by****Signature:**

Name: Austin E. Thompson, Jr.

TABLE A4. INSTRUMENTS AND ACCESSORIES

TYPE	SPECIFICATIONS	MANUFACTURER	MODEL
SPECTRUM ANALYZER	0.1 - 1500 MHz	HEWLETT-PACKARD	8558B
SPECTRUM ANALYZER	9 kHz - 22 GHz	HEWLETT-PACKARD	8593E
COMB GENERATOR		HEWLETT-PACKARD	8406A
TEST RECEIVER	20 - 1000 MHz	ROHDE & SCHWARZ	ESV
RF PREAMP	0.1 - 1300 MHz	HEWLETT-PACKARD	8447D
RF PREAMP	1 - 26.5 GHz	HEWLETT-PACKARD	8449B
LISN 8012-50-R-24-BNC	120V	SOLAR ELE.	8012
HORN ANTENNA	1 – 18 GHz	EMCO	3115
BICONICAL ANTENNA	30 MHz - 300 MHz	EMCO	3110
LOG PERIODIC ANTENNA	200 MHz - 1 GHz	EMCO	3146
LISN (x 2) 8028-50-TS24-BNC	600V	SOLAR ELE.	8028

RADIATED CONFIGURATION PHOTOGRAPH(S)



Photograph Shows Worse Case Configuration

RADIATED CONFIGURATION PHOTOGRAPH(S) CONTINUED



Photograph Shows Worse Case Configuration

CONDUCTED CONFIGURATION PHOTOGRAPH(S)



Photograph Shows Worse Case Configuration