



Excellence in Compliance Testing

---

## **Certification Exhibit**

**FCC ID: HSW-2410P  
IC: 4492A-2410P**

**FCC Rule Part: 15.247  
IC Radio Standards Specification: RSS-210**

**ACS Report Number: 08-0020 - 15C**

Manufacturer: Cirronet  
Model: WIT2410P

## **External Photos**



Figure 1: External Front



Figure 2: External Back

## ACE-2400-NF Antenna

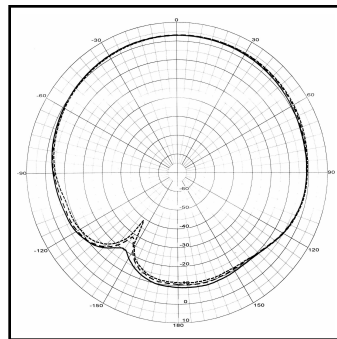
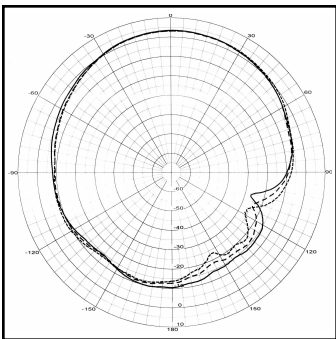


FREQUENCY RANGE	2.4 ~ 2.5 GHz
IMPEDANCE (NOMINAL)	50 $\Omega$
V.S.W.R.	1.9 : 1 (max.)
GAIN	2 dBi (min.) $\pm$ 1dB (max.)
RADIATION PATTERN	OMNI-DIRECTIONAL
POLARIZATION	VERTICAL
LENGTH	124.0 $\pm$ 2.0mm
PULLING STRENGTH	3 kgf (min.)
SWIVEL TORQUE	3 kgf (min.)
TEMPERATURE	-30 ~ +60 $^{\circ}$ C
CONNECTOR	SMA-MALE Reverse

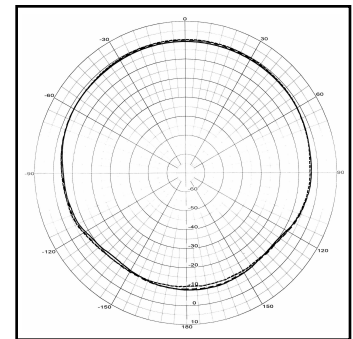
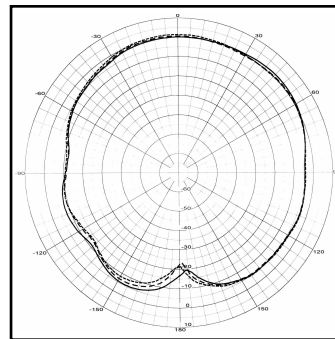
# PA2400/PA2410 PATCH ANTENNAS

## OMNI DIRECTIONAL GAIN ANTENNAS

Specifications	Model # PA2400	Model # PA2410
Frequency Bandwidth	2.4 - 2.5 GHz	2.4 - 2.5 GHz
Antenna Type	Patch	Patch
Gain	6dBi	2dBi
V. S. W. R.	<1.9:1	<1.9:1
Nominal Impedance	50 Ohms	50 Ohms
Radiation Pattern	Directional	Directional
Polarization	Linear	Linear
Connector	Huber-Suhner Type 81 MMCX-50-0-1 Plug	Huber-Suhner Type 81 MMCX-50-0-1 Plug



E Plane PA2400 Plots H Plane



E Plane PA2410 Plots H Plane

