

Attachment: User Manual

For FCC statement please refer to user manual page 7.

SIEMENS
NIXDORF

Siemens Nixdorf Informationssysteme AG
Personal Computer Scenic Pro D6

FCC Identifier:
HSSCENICD603

Date: Jul 10, 1998

Page:
83/83

SIEMENS
NIXDORF

SCENIC^{Pro}

Operating Manual

SCENIC Pro D

800 000 000

JUL 23 1998



Dieses Handbuch wurde auf Recycling-Papier gedruckt.
This manual has been printed on recycled paper.
Ce manuel est imprimé sur du papier recyclé.
Este manual ha sido impreso sobre papel reciclado.
Questo manuale è stato stampato su carta da riciclaggio.
Denna handbok är tryckt på recyclingpapper.
Dit handboek werd op recycling-papier gedruckt.

Herausgegeben von/Published by
Siemens Nixdorf Informationssysteme AG
D-33094 Paderborn
Tel. +49-52-81730 München

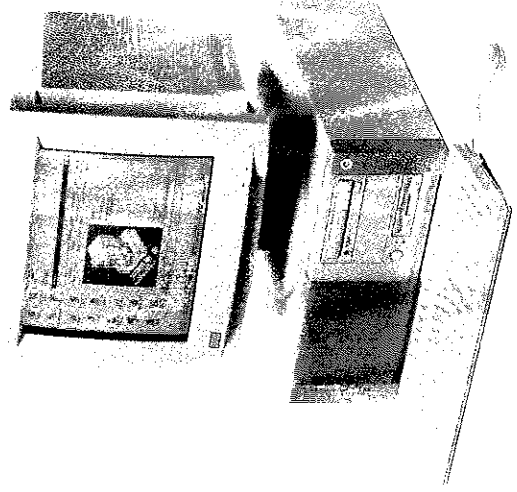
Bestell-Nr./Order No.: **A26361-K444-Z102-1-7619**

Printed in the Federal Republic of Germany

G 03988 0398 CK 10159



26361-K444-Z102-1-7619



Introduction

Important notes

Preparation for use and operation

Settings in BIOS Setup

Property and data protection

Troubleshooting and tips

System expansions

Technical data

Index

SCENIC Pro D

Operating Manual

March 1998 edition

C	cabling	15
	cannot boot	44
	cleaning	12
	connecting	15
	connecting to power voltage	20
	indicators	27
	locking	22
	opening	51
	ports	16
	setting up	14
	switching off	23, 26
	switching on	23, 25
	transporting	11
	unlocking	22
C, assembling	53	
ports, external devices	16	
power cord selection	8	
power voltage, connecting to	20	
power management	50	
power-on indicator	23, 28	
dark	44	
OWERSAV.SCR	5	
repairation for use	13	
overview	14	
problems	43	
processor	68	
replacing	68	
upgrading	68	
property protection	37	
S/2 mouse port	16	
static voltage		
setting	20	
ready-to-operate	23	
recycling	6	
reinstalling, hard disk contents	48	
removing		
accessible drive	60	
board	54	
hard disk drive	66	
Replacing		
board	54	
hard disk drive	64	
lithium battery	69	
processor	68	
Restoring, hard disk contents	48	
Return key	30	
RFI suppression	7	
S		
Safety	3	
Screen		
blanking	5	
drifting display	46	
SCSI drives	59	
Second-level cache, upgrading	68	
Security function	39	
Security functions		
Chipcard	37	
lock	37	
MS-Windows	38	
Security measures	37	
Select		
power cord	8	
Serial interface	16	
Serial port		
connecting devices	18	
Setting, rated voltage	20	
Settings, BIOS Setup	33, 35	
Setup password	41	
canceling	42	
Setup, see BIOS Setup		
Shift key	30	
Slot board	54	
Soft Power Off	26	
Software, New Installation	43	
SSLAUNCH	5	
Start key	30	
Starting, BIOS Setup	33	
Streamer		
installing	62	
removing	60	
Summer time	48	
Contents		
Introduction		
Notational conventions	1	
Important notes		
Safety	3	
Notes on installing and removing boards	4	
Manufacturer's notes	5	
Energy saving	5	
Disposal and recycling	6	
CE certificate	6	
RFI suppression	7	
FCC Class B Compliance Statement	7	
Power cord selection	8	
For the United States and Canada	8	
For the United Kingdom	10	
Transporting the PC	11	
Cleaning the PC	11	
Preparation for use and operation		
Unpacking and checking the delivery	13	
Preparing the PC for use	14	
Setting up the PC	14	
Connecting devices	15	
Ports for external devices	16	
Connecting the keyboard	17	
Connecting the mouse	18	
Connecting devices with serial or parallel port	18	
Connecting the monitor to the line voltage	19	
Connecting the PC to the line voltage	20	
Unlocking/locking the system unit	22	
Switching the PC on and off	23	
Switching on the PC for the first time	24	
Switching on the PC	25	
Switching off the PC	26	
Indicators on the system unit	27	
Working with floppy disks	29	
Keyboard	30	
Important keys and key combinations	30	

Control key	31	Exiting, BIOS Setup	36
Cursor	2	Expansion	51
I key	31	External devices	
+Alt+Del	31	connecting	15
Mouse control keys	30	ports	16
connecting	15	F	
interface	16	FCC statement	7
nensions	71	Floppy disk drive	
kette	29	indicator	27
cannot be read or written	47	installing	62
write-protection	29	removing	60
posal	6	Front panel	17
IA	73	audio ports	17
fitting screen display	46	chipcard reader	17
ve	59	infrared port	17
critical data	71	Function keys	30
chromagnetic compatibility	6	G	
energy saving	5	Game port	16
er key	30	Green, power-on indicator	28
vironmental		Guarantee coupon booklet	13
conditions	72	H	
data	72	Hard disk	
nomic, video workstation	14	defect	48
or		drive, replacing	64
date	48	indicator	28
floppy	47	I	
message	48	I/O address	73
mouse	47	IDE drives	59
screen	44, 46	Important notes	3
System unit	44	Indicator	
Time	48	power-on indicator fails to light	44
D	4	remains blank	44
to key	31	Indicators, on the PC	27
		Installation, new Software	43
		Installing	
		accessible drive	62
		board	54
		hard disk drive	65
		Insufficient memory	50

Introduction

This Operating Manual tells you how to put your PC into operation and how to operate it in daily use. It applies for all configuration levels. Depending on the configuration level chosen some of the hardware components described may not be available on your PC. Please observe the notes on your operating system.

Your SCENIC Pro D is a powerful PC which is suitable for both professional and private use.

Your PC is available in various configuration levels, which differ in hardware and software equipment. Depending on the configuration level, the PC is equipped with an audio port, a chipcard reader and an infrared port. Systems, which do not offer one of these functions, can be upgraded at any time according to your requirements.

Depending on the configuration level chosen, your PC is supplied with Windows for Workgroups, Windows 95 or Windows NT as the operating system.

Your PC has a number of security features to ensure that no unauthorized persons can access your data. For example, you can activate a screen saver with password protection. The security functions in the *BIOS.Setup* also allow you to protect your data by means of passwords. In addition, you can also lock your PC mechanically using the cover lock. Systems with a drive cover and a chipcard reader offer additional protection.

Further information on this PC is provided:

- in the manual "Safety and Ergonomics"
- in the Operating Manual for the monitor
- in the Technical Manual for the system board
- in the manual "BIOS Setup"
- in the documentation of your operating system
- in the information files (e.g. *.TXT, *.WRI, *.DOC, *.ILLP)
- in the Installation Guide "Windows NT Setup" (for Windows NT systems only)



Some of the manuals listed can be found on the CD "Drivers & Utilities" provided with your computer. These manuals can be read and printed with the Acrobat Reader contained on the CD.

Important notes

In this chapter you will find information regarding safety which it is essential to take note of when working with your PC. The manufacturer's notes contain helpful information on your PC.

Safety



Pay attention to the information provided in the manual "Safety and Ergonomics".

- During installation and before operating the device, observe the instructions on environmental conditions in the chapter entitled "Technical data" as well as the instructions in the chapter "Preparation for use and operation".
- Please check whether the device is set to the local power supply (see chapter "Preparation for use and operation").
- The main switch and the ON/OFF switch do not disconnect the system unit from the line voltage. To disconnect the line voltage completely, remove the power plug from the grounded power outlet.
- When cleaning the device, observe the relevant notes in the paragraph "Cleaning the PC".
- When connecting and disconnecting cables, observe the relevant notes in the chapter "Preparation for use and operation".
- Replace the lithium battery on the system board in accordance with the instructions in the chapter "System expansions - Replacing the lithium battery".
- Caution: components on the system board can get very hot.
- Keep this Operating Manual together with your device. If you pass on the device to third parties, you should also pass on the Operating Manual.

Environmental conditions

Environment class (3K2) DIN IEC 721 part 3-3
 Environment class (2K2) DIN IEC 721 part 3-2

Temperature:

Operating (3K2) 15 °C 35 °C
 Transport (2K2) -25 °C 60 °C

Condensation in operating must be avoided.

Clearance required to ensure adequate ventilation:

left-hand side min. 200 mm
 front min. 200 mm
 rear min. 200 mm



Do not place several system units one above the other.

Noise level

Sound power level $L_{WA,d}$ (ISO 9296): ≤ 4.8 B
 Sound pressure level
 at bystander position L_{pAm} (ISO 9296): ≤ 36 dB
 Surface-average sound pressure level ≤ 33 dB

Manufacturer's notes

Energy saving

When the PC is delivered, some energy-saving functions are already set (see Technical Manual for the system board or in the manual "BIOS Setup").

- If you are not using your PC, switch it off.
- In the *BIOS Setup* you may set further energy-saving functions for the PC (see the Technical Manual of the system board or in the manual "BIOS Setup").

Energy saving under Windows NT

If the attached monitor and screen controller support power management in accordance with VESA (DPMS), the screen saver *PowerSaver* can be used to switch the monitor into power management mode.

Energy saving under Windows 95

Using the *DeskLock* program you can lock the mouse and keyboard so that no input can be made. If the attached monitor supports power management in accordance with VESA (DPMS), it can be switched into power-saving mode at the same time.

In addition the *Screen Saver* tab allows you to set energy-saving functions for your screen. Select the following item in the start menu: *Settings - Control Panel - Display - Display Properties - Screen Saver - Energy saving features of monitor*.

With the default setting *Control Panel - Power - Advanced* additional energy saving features of Windows 95 are available.

Energy saving under Windows for Workgroups

The *LOCK.COM* (under MS-DOS), the *LOCK.EXE* or *QLOCKWIN.EXE* (under Windows for Workgroups) enables you to lock entry at your mouse and keyboard. If the attached monitor supports power management in accordance with VESA (DPMS), it can be switched into power-saving mode at the same time.

RFI suppression

All other devices connected to or integrated in this product must have RFI suppression in accordance with EC directive 89/336/EEC. Products meeting these requirements are accompanied by a certificate issued by the manufacturer and carry the CE symbol.

FCC Class B Compliance Statement

If there is an FCC statement on the device, then:

The following statement applies to the products covered in this manual, unless otherwise specified herein. The statement for other products will appear in the accompanying documentation.

NOTE:

This equipment has been tested and found to comply with the limits for a "Class B" digital device, pursuant to Part 15 of the FCC rules and meets all requirements of the Canadian Interference-Causing Equipment Regulations. These limits are designed to provide reasonable protection against harmful interference in a residential installation. This equipment generates, uses and can radiate radio frequency energy and, if not installed and used in strict accordance with the instructions, may cause harmful interference to radio communications. However, there is no guarantee that interference will not occur in a particular installation. If this equipment does cause harmful interference to radio or television reception, which can be determined by turning the equipment off and on, the user is encouraged to try to correct the interference by one or more of the following measures:

- Reorient or relocate the receiving antenna.
- Increase the separation between equipment and the receiver.
- Connect the equipment into an outlet on a circuit different from that to which the receiver is connected.
- Consult the dealer or an experienced radio/TV technician for help.

Siemens Nixdorf Informationssysteme AG is not responsible for any radio or television interference caused by unauthorized modifications of this equipment or the substitution or attachment of connecting cables and equipment other than those specified by Siemens Nixdorf Informationssysteme AG. The correction of interferences caused by such unauthorized modification, substitution or attachment will be the responsibility of the user.

Extensions on the system board

Details of how and if you can upgrade the main memory or video memory for an n-board screen controller, or retrofit the second-level cache or the processor of your PC are provided in the Technical Manual for the system board. Below the necessary steps are described to enable you to work on the system board.

Open the system unit (see "Opening the system unit").

Upgrading main memory

Remove the carrier (see "Installing or removing the hard disk drive"). You do not need to pull the lines from the drive.

You have free access to the memory banks.

Upgrade the memory as it is described in the Technical Manual for the system board.

Install the carrier (see "Installing or removing the hard disk drive").

Close the system unit (see "Assembling the system unit").

Upgrading the video memory, second level cache and processor

Open the system unit (see "Opening the system unit").

In systems with an ATX system board, remove the carrier (see "Installing or removing the hard disk drive"). You do not need to pull the lines from the drive.

If a board is installed above the system board, you may have to remove it (see "Installing and removing a board").

You have free access to the locations.

Make the desired expansions (see the Technical Manual for the system board).

If you have removed a board, install it now (see "Installing and removing a board").

In systems with an ATX system board install the carrier (see "Installing or removing the hard disk drive").

Close the system unit (see "Assembling the system unit").

Table A:

Cord Type	Size of Conductors in Cord	Maximum Current Rating of Unit
SJT	18 AWG	10 Amps
	16 AWG	12 Amps
	14 AWG	12 Amps
	18 AWG	10 Amps
SVT	18 AWG	10 Amps
	17 AWG	12 Amps

For units set at 115 V:

use a parallel blade, grounding type attachment plug rated 15 A, 125 V (Figure 2).

For units set at 230 V (domestic use):

use a tandem blade, grounding type attachment plug rated 15 A, 250 V (Figure 3).

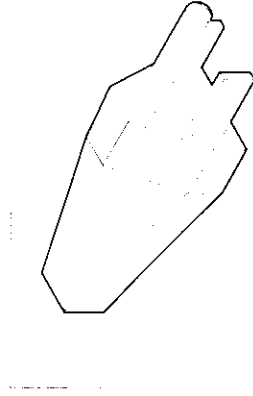


Figure 2

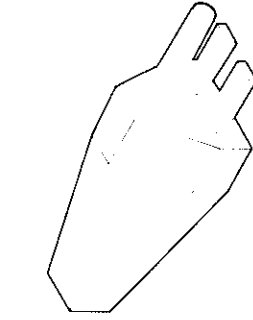
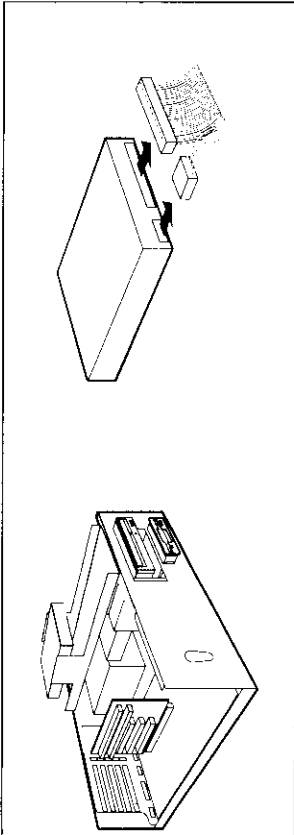


Figure 3

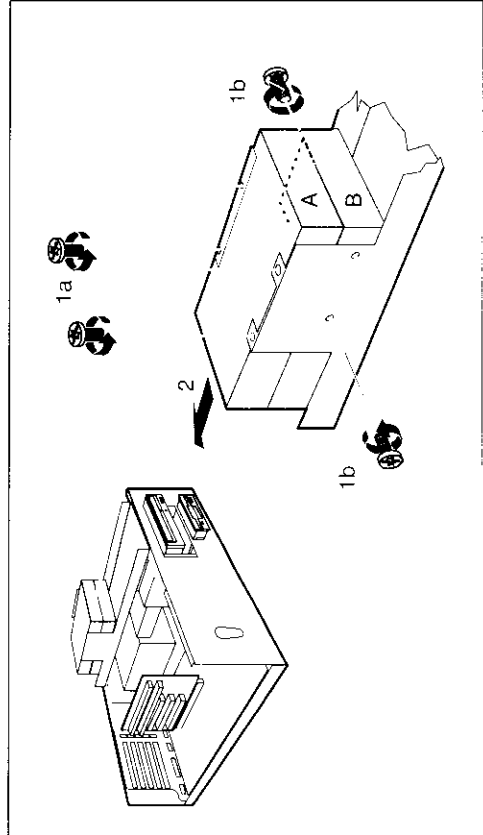
For units set at 230 V (outside of the United States and Canada):

use a cord set consisting of a minimum AWG according to Table A and a grounding type attachment plug rated 15 A, 250 V. The cord set should have the appropriate safety approvals for the country in which the equipment will be installed and should be marked HAR.

Removing a hard disk drive



Pull the connectors of the data and the power line from the hard disk drive.



Remove the screws 1a for the drive in bay A or the screws 1b for the drive in bay B.

Pull the hard disk drive out of the carrier (2).

Transporting the PC



Transport all parts separately, and in their original packaging or in a packaging which protects them from knocks and jolts, to the new site. Do not unpack them until all transport maneuvers are completed.

Never drop the monitor (danger of implosion)!

Cleaning the PC



Turn off all power and equipment switches and pull the power plug out of the grounded power outlets.

Do not clean any interior parts yourself, leave this job to a service technician.

Do not use any cleaning agents that contain abrasives or may corrode plastic.

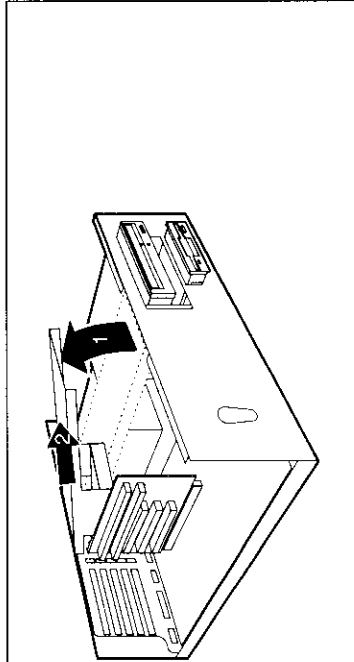
Ensure that no liquid enters the system.

Ensure that the ventilation areas of the system unit and the monitor are free.

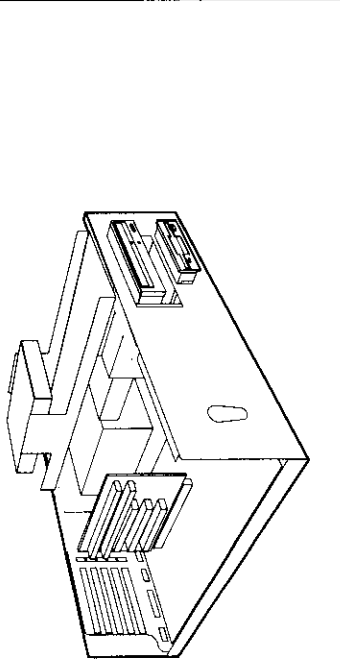
Installing or removing the hard disk drive

Open the system unit (see "Opening the system unit").

Removing the hard disk carrier



Lift the drive carrier up (1) and pull it in the direction of the arrow (2).



Put the drive carrier on its side.

i Make sure that short cables or film plugs are not pulled out of their plug connectors.

Preparation for use and operation



Please take note of the safety information in the chapter "Important notes".

Unpacking and checking the delivery

It is recommended not to throw away the original packaging material! It may be required for reshipment at some later date.

- ▶ Unpack all the individual parts.
- ▶ Check the delivery for damage incurred during transport.
- ▶ Check whether the delivery agrees with the details in the delivery note.
- ▶ Check whether all necessary details have been entered on the first page of the guarantee coupon booklet.

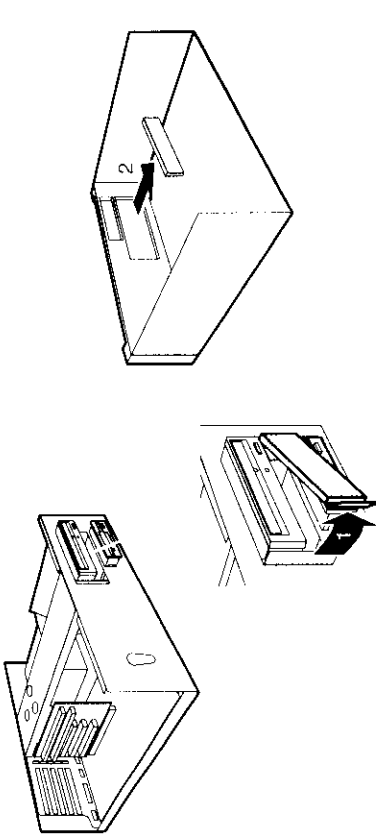
Should you discover that the delivery does not correspond to the delivery note, notify your local sales office immediately.




If you have received drives or boards with your PC, please do not install them until after first-time setup. The chapter "Installing and removing a board" will tell you how to do this.

Installing an accessible drive

- ▶ Open the system unit (see "Opening the system unit").



- ▶ Remove the metal cover by pulling the left-hand tab forward (1).
- ▶ Lever the plastic cover away from the desired bay in the top cover (2).
- ▶  Do not throw away the covers. If you remove the drive again later, you will have to reinstall the covers.
- ▶ Take the new drive out of its packaging.
- ▶ Make the required settings on the drive (if necessary, on installed drives as well).

Connecting devices



The power plug must be disconnected!



Read the documentation about the external device before connecting it.
Do not connect or disconnect cables during a thunderstorm.
Always take hold of the actual plug body. Never unplug a cable by pulling the cable itself!
Connect and disconnect the cables in the order described below.

Connecting cables

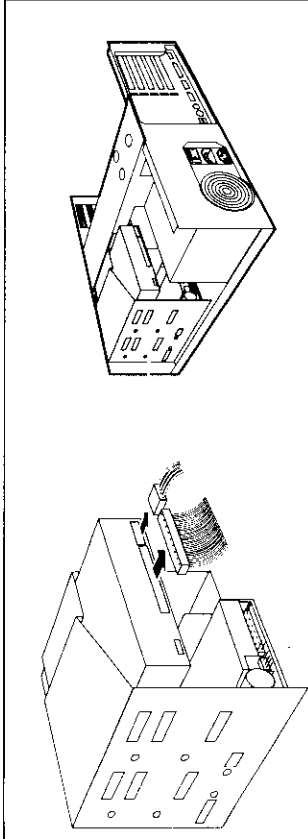
- Turn off all power and equipment switches.
- Unplug all power plugs from the grounded power outlets.
- Connect all cables at the system unit and peripherals. You must observe the information provided in the chapter "Important notes".
- Plug all data communication cables into the utility sockets.
- Plug all power cables into the grounded power outlets.

Disconnecting cables

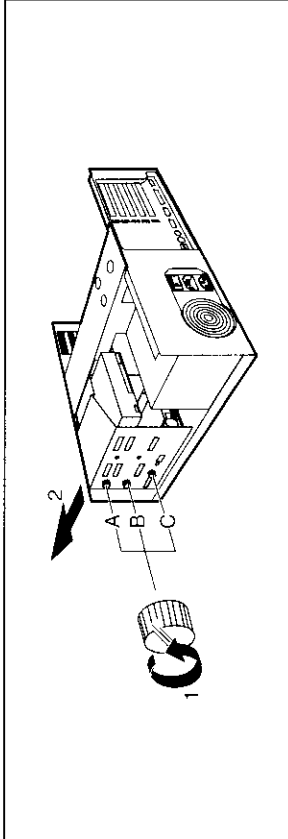
- Turn off all power and equipment switches.
- Unplug all power plugs from the grounded power outlets.
- Unplug all data communication cables from the utility sockets.
- Disconnect all cables from the system unit and peripherals.

Removing an accessible drive

Open the system unit (see "Opening the system unit").



Pull the connectors of the data and the power line from the desired drive.

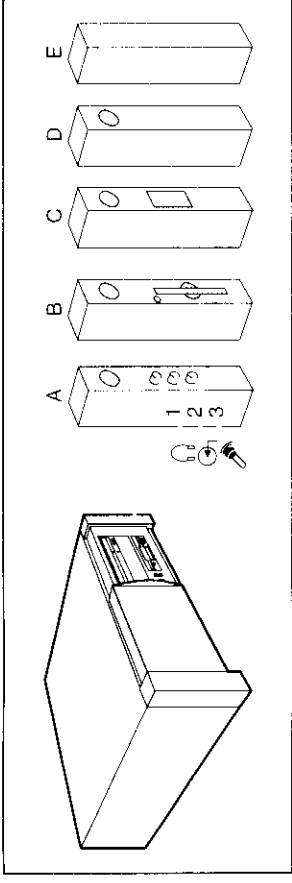


Position of the knurled screw for the uppermost drive

Position of the knurled screw for the middle drive

Position of the knurled screw for the lowest drive

Remove the relevant knurled screw (1) and take the drive out of the system unit (2). You can also use a coin to loosen the knurled screw.



Example of the multifunctional front panel

- A) Front panel with audio ports
- B) Front panel with chipcard reader
- C) Front panel with infrared port
- D) Front panel with lock only
- E) Empty front panel without drive cover

- 1 = Audio output (Line out)
- 2 = Audio input (Line in)
- 3 = Microphone jack

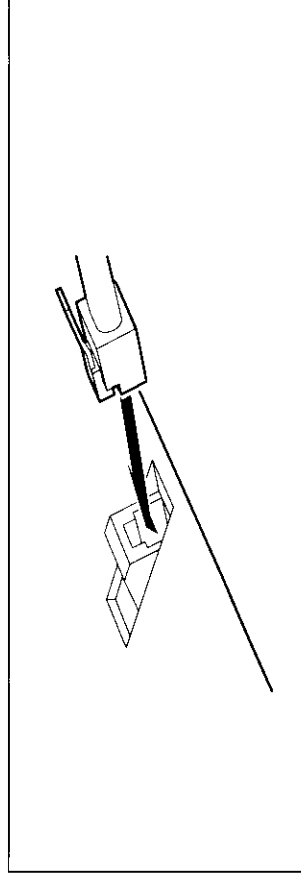
* The audio ports may be at the rear of the PC.

Connecting the keyboard



Use only the keyboard cable supplied.

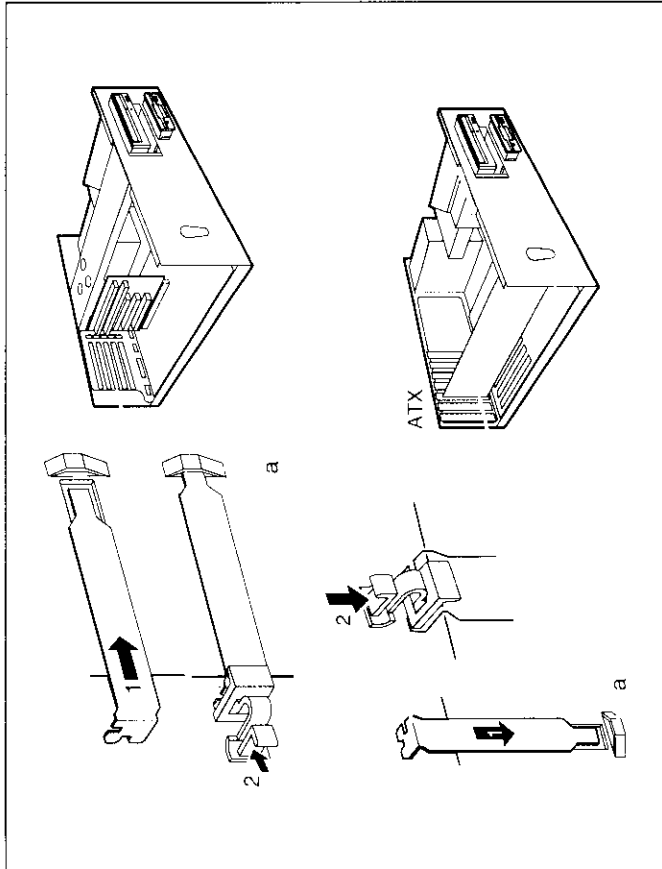
- ▶ Plug the round plug of the keyboard cable into the keyboard port on the system unit.



- ▶ Plug the other connector of the keyboard cable into the socket on the underside of the keyboard.



For cooling, protection against fire and in order to comply with EMC regulations, you must refit the rear slot cover plate if you remove the board.



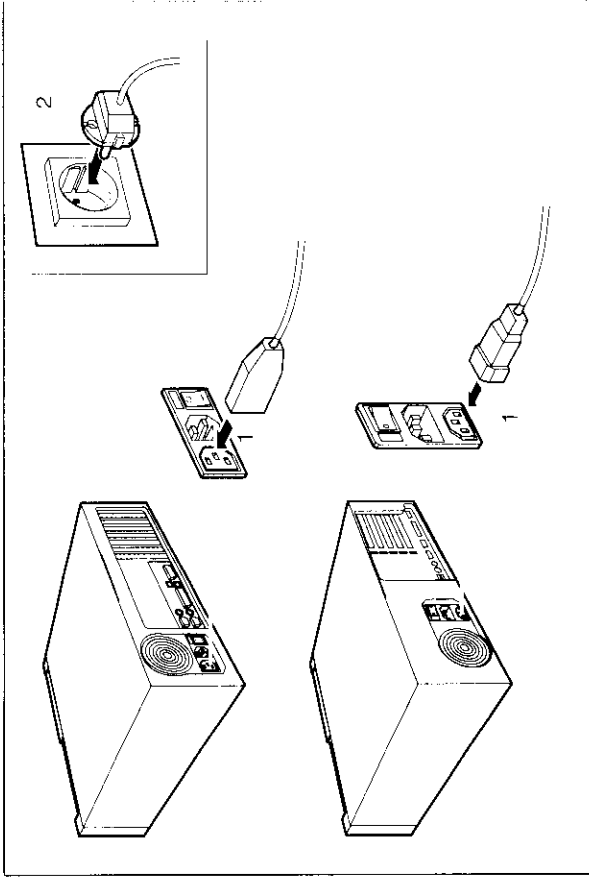
- ▶ Push the rear slot cover plate into the slot (1). Ensure that the point of the cover engages into the guide (a).
- ▶ Replace the clip (2) which fixes the board. Ensure that the clip engages.
- ▶ Close the system unit (see "Assembling the system unit").



If you have installed or removed a PCI board, please check in the *BIOS Setup* the settings for the relevant PCI slot. If necessary, change the settings. Further information is provided in the documentation for the PCI board.

Connecting the monitor to the line voltage

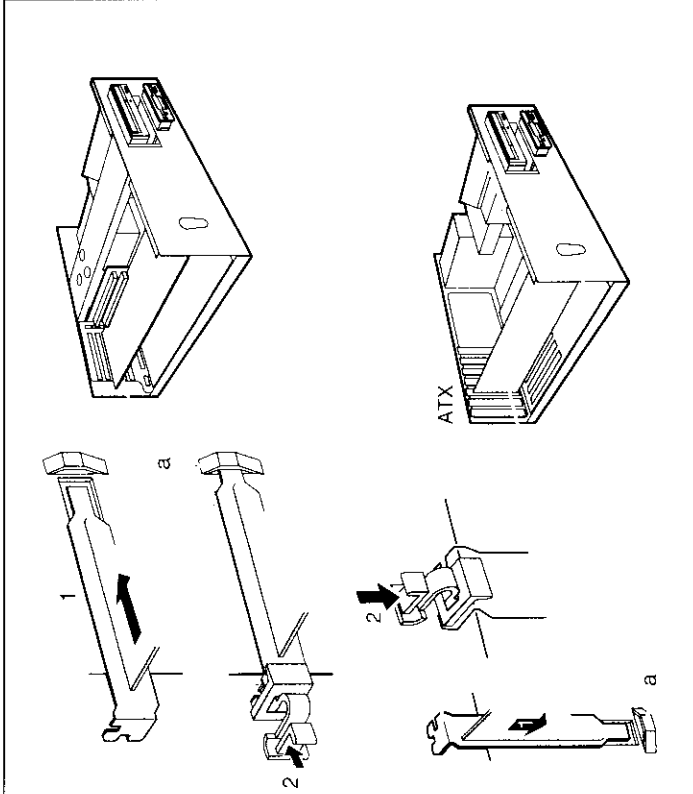
- ▶ Prepare the monitor as described in the Operating Manual for the monitor.
- ▶ Plug the data cable of the monitor into the monitor port of the system unit.



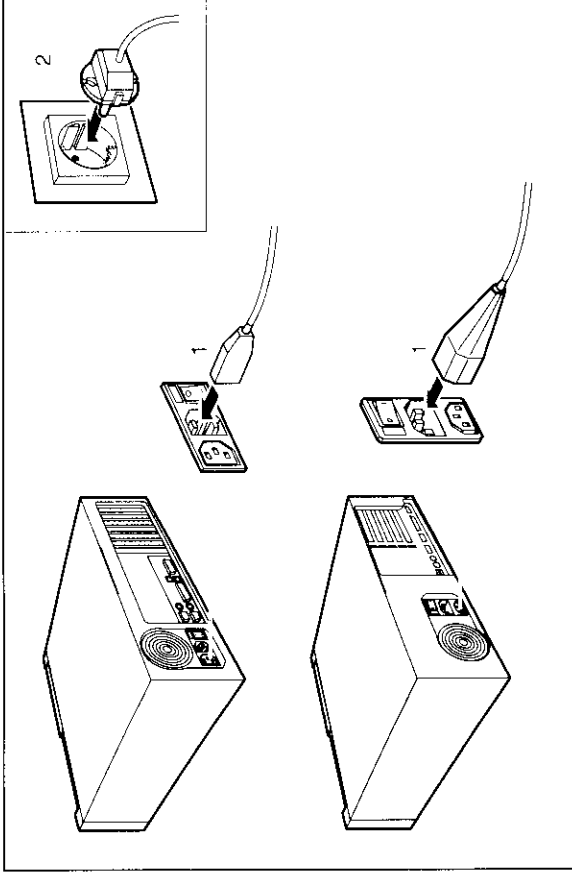
- ▶ Depending on the connector, plug the monitor power cable into either the system unit (1) or the grounded power outlet (2).



You may only plug the monitor power cable into the monitor connector if the rated current of the monitor is less than 1.5 A (230 V) or 3 A (115 V). The rated current for the monitor is also given on the monitor itself and in the Operating Manual for the monitor.



- Push the board into the slot (1). Ensure that the end of a long board without angle bracket fits into the corresponding guide of the system unit. Ensure also that the point of the angle bracket slots into guide (a).
- Press the board into the slot so that it engages.
- Replace the clip (2) which fixes the board. Ensure that the clip engages.
- If necessary, plug the lines on the board.



- ▶ Plug the system unit's power cable into the system unit (1) and then into the grounded power outlet (2).

Installing and removing a board

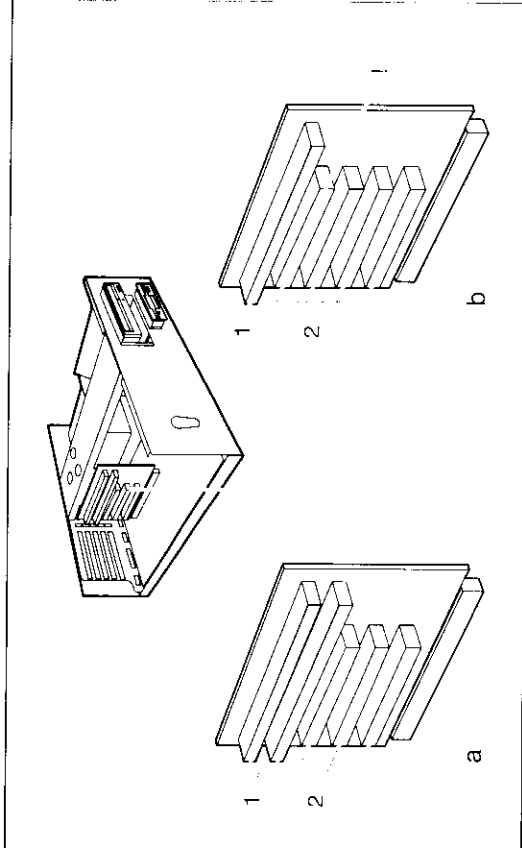


Observe the notes on installing and removing boards in the chapter "Important notes".

Slot board



Systems with an ATX system board have no slot board. The number, position and constellation of the board slots on the ATX system board can be found in the technical manual for the system board.



Example of slot boards

1 = ISA slot

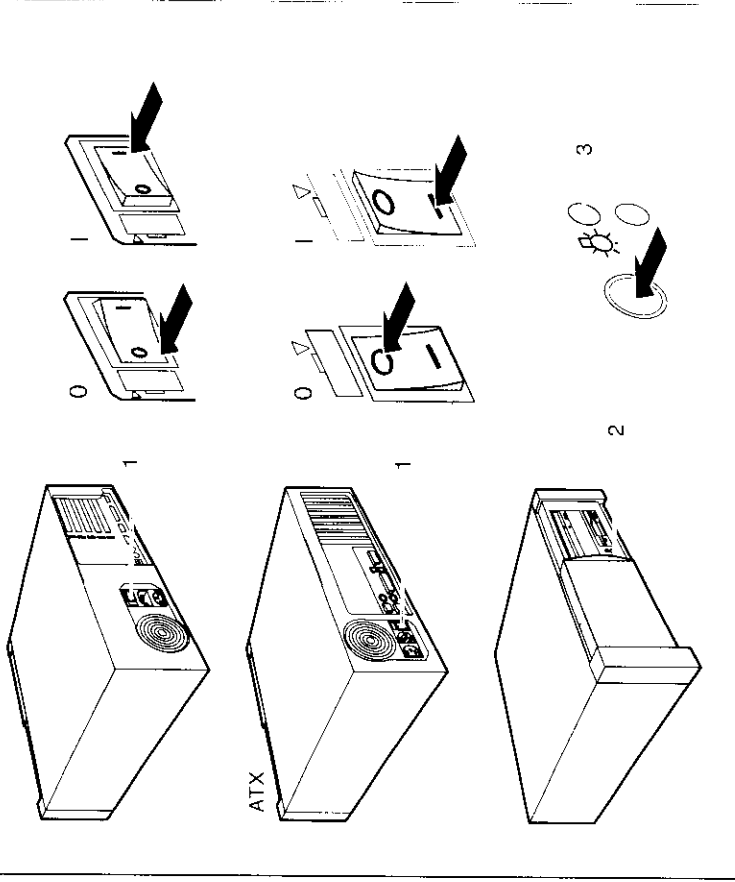
2 = PCI slot

! = A screen controller must be installed here.
werden

Boards may be installed when the device is shipped.



For slot board b, a screen controller board has to be installed in the uppermost PCI slot (!).



1 = Main switch

2 = ON/OFF switch

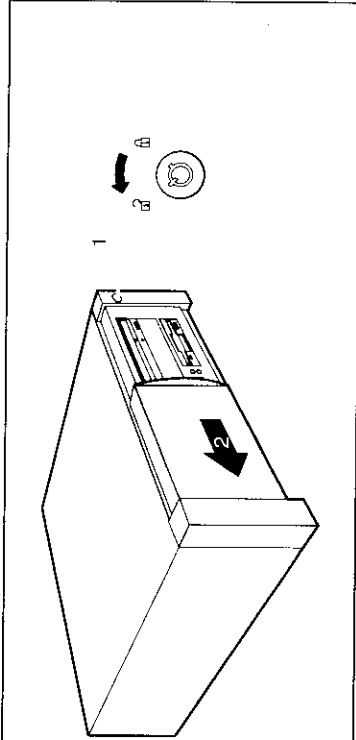
3 = Power-on indicator

0 = System unit is switched off

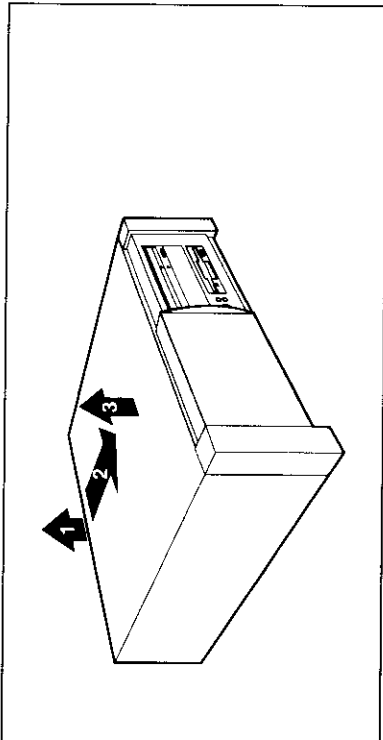
I = System unit is ready-to-operate

System unit is off

The main switch (1) is in position 0 and the power-on indicator (3) does not light. The ON/OFF switch (2) is disabled.



Unlock the system unit (1) and slide the drive cover to the left (2).



Lift the top cover slightly at the rear edge (1).

Push the top cover forcefully (with a jolt) in the direction of the arrow (2).

Lift off the top cover completely in the direction of the arrow (3).

i Depending on the equipment level of your unit, a damaged film cable may be mounted in the PC housing. The damage is intentional.

Notes on Windows 95

The license number for Windows 95 is printed on the front cover of the Windows 95 manual supplied.

If your system is not equipped with a CD-ROM drive, you should create a backup copy after installing Windows 95 so that you can restore the hard disk contents in an emergency.

You need about 40 diskettes for this.

- ▶ Create Windows 95 diskettes with the *MSCSD* backup program (create system diskettes) and label them using the labels supplied.
- ▶ Create the utility and driver diskettes for your system using the batch files in the *PROGRAMS* directory and label them.

Notes on Windows for Workgroups

The contents of the utility and driver diskettes of your system are located in the *CDROM* directory. You can create the corresponding diskettes by means of the relevant batch programs.

To enable the contents of the hard disk to be restored in an emergency, you should create a bootable system disk and a backup for DOS and Windows for Workgroups (see the documentation for the operating system). You may as well purchase a corresponding set of backup diskettes. Contact your sales office or your service.

Switching on the PC



If after switching on the PC you see nothing but flickering stripes on the screen, switch the PC off immediately (see "Troubleshooting and tips - Flickering or drifting stripes on the monitor screen").

- ▶ Switch the monitor on (see the Operating Manual for the monitor).
 - ▶ Switch the system unit on with the main switch at the rear of the system unit.
- The PC switches to the mode which was active when it was last switched off:
- ▶ If the power-on indicator lights orange, press the ON/OFF switch at the front of the system unit.

Tips

The PC cannot be switched off with the ON/OFF switch

Press the ON/OFF switch again.

Reason: The PC has not been switched on with the ON/OFF switch.

Shortage of system resources

If you have too many applications running at once, you may experience problems due to a lack of system resources. If this happens, you should close applications you do not require or call the applications in a different order.

BIOS settings in power management do not become active

The *Auto insert notification* setting may be active for the CD-ROM drive. This setting causes Windows 95 to inquire about any modifications on the drive at regular intervals. Because of this the timer for the idle time cannot time out.

To activate power management, proceed as follows:

In Windows 95, select *Start - Settings - Control Panel - System - Device Manager - CD-ROM*.

Select the installed CD-ROM drive from the list.

Select *Settings*.

Deactivate the *Auto insert notification* box.

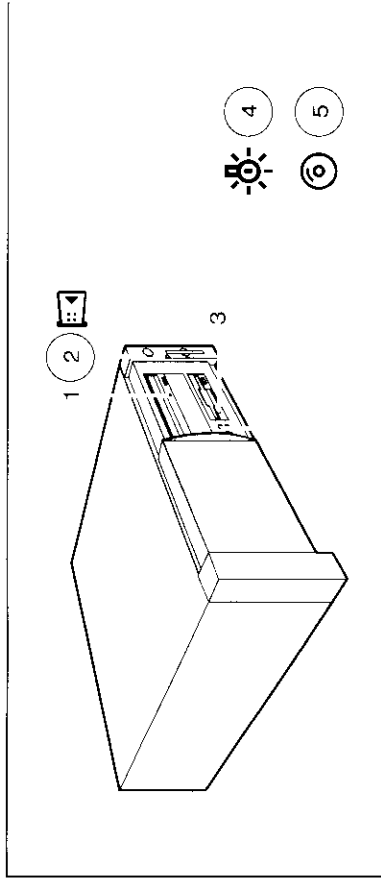
CD-ROM drive

Information on the CD-ROM drive can be found in the manual of the CD-ROM drive or on the "Drivers and Utilities" CD.

Other manuals

Other manuals are contained on the "Drivers & Utilities" CD.

Indicators on the system unit



1 = CD-ROM indicator

2 = Chipcard reader indicator

3 = Floppy disk indicator

4 = Power-on indicator

5 = Hard disk indicator

1 - CD-ROM indicator

The indicator lights up when the CD-ROM drive of the system unit is accessed. You may only remove the CD when the indicator is dark.

2 - Chipcard reader indicator

The indicator lights up when the chipcard reader is accessed. You may only remove the chipcard when the indicator is dark.

3 - Floppy disk indicator

The indicator lights up when the floppy disk drive of the system unit is accessed. You may only remove the floppy disk when the indicator is dark.

Time and/or date is not correct

Set the time and/or date. You can set the time and date in the *BIOS Setup* or in the operating system.

i

If the time and date are repeatedly wrong when you switch on your PC, the battery is flat. Change the lithium battery as described in the Chapter "System expansions".

Error messages on the screen

Error messages and their descriptions are listed in the Technical Manual of the system board or in the "BIOS Setup" manual and in the documentation of the installed software.

Restoring the hard disk contents

If data on the hard disk will be deleted. Operating system, drivers and software utilities will be reinstalled. For this reason you should try to save important data before you restore the hard disk contents.

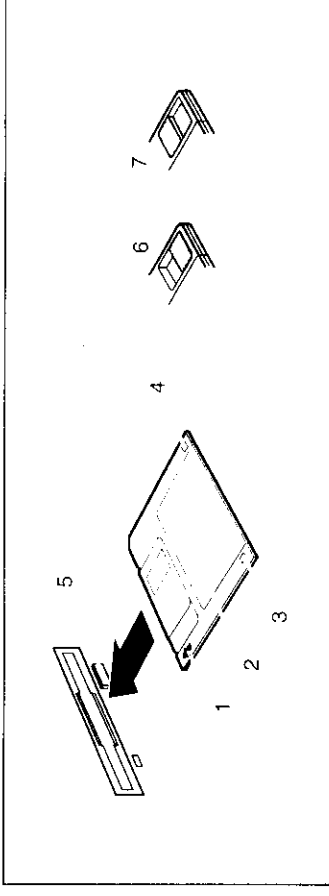
Restoring the hard disk contents under Windows NT

If you need to restore the hard disk contents you have to reinstall Windows NT. Proceed as described in the "Windows NT Setup" installation guide.

Working with floppy disks



Follow the instructions supplied by the vendor of the floppy disks. Never clean the floppy disk drives with cleaning disks. Even just one attempt would destroy the read/write head in the disk drive within 20 seconds.



- 1 = Insertion direction
- 2 = Label area
- 3 = Write protection tab for a 720 Kbyte or a 1,44 Mbyte floppy disk
- 4 = Identification of a 1,44 Mbyte floppy disk or write protect tab on a 120 Mbyte floppy disk
- 5 = Eject button for inserted floppy disks
- 6 = Floppy disk is write protected
- 7 = Floppy disk is not write-protected

- ▶ To insert a floppy disk, push it into the drive in the insertion direction (1) until it engages. The label should be facing upward.
 - ▶ To remove the floppy disk, press the eject button (5).
- The write-protect slider enables you to protect the data on the floppy disk from inadvertent overwriting or deletion.
- ▶ To protect the data on the floppy disk from being overwritten, push the write-protect slider to position (6). The hole is now visible.
 - ▶ To remove write-protection, push the slider to position (7). The hole is now covered.

Wrong monitor has been set under Windows for Workgroups

- Insert the system disk.
- Reboot the PC.
- Your systems is equipped with a GD54X6 screen controller:

 - Use the *SET-VGA* program (under MS-DOS) to set the correct values for the attached monitor.

- Your system is equipped with a screen controller from Matrox:
 - Change into the Windows directory.
 - Start the *Setup* program.
 - Change the display type to *VGA*.
- Restart Windows and set the correct values for the connected monitor with the program *MGA Monitor Selection* and *MGA Control Panel* from the *MGA PowerDisk* program group.
- Change the display type back to *Matrox MGA* again.

Flickering or drifting stripes on the monitor screen



Switch off the PC immediately!

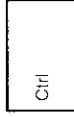
- The flickering stripes are caused either by an old-type screen that does not support the horizontal frequency of 47 kHz, or by an incorrect monitor selection under MS-Windows.
- The drifting screen display is caused when the selected frequency and/or resolution is wrong.
- The default screen values are 800x600 pixels at 75 Hz and for 64K colors.
- Find out which horizontal frequency your monitor screen supports.
- You will find the horizontal frequency (also known as line frequency or horizontal deflection frequency) in the documentation of your monitor.



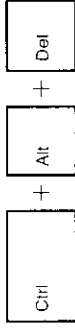
Euro key
produces the Euro character (Windows 98 and Windows NT5.0).



Num Lock key
By pressing the Num Lock key you switch between the upper- and lower-case levels of the calculator keypad.
At upper-case level (Num Lock indicator lit) the digit and comma keys are active.
At lower-case level (Num Lock indicator not lit) the cursor control functions are active in the calculator keypad.



Ctrl key
starts key combination actions.



Warm boot
restarts your PC. First hold down the **[Ctrl]** and **[Alt]** key, and then press the **[Del]** key. With Windows 95 the Task Manager appears first. The warm start is then carried out the second time.

Power-on indicator remains dark after you have switched on your device

This may have the following causes:

- ▶ **There is a defect in the ac power supply**
- ▶ Check that the power cable is plugged properly into the system unit and grounded power outlet.
- ▶ Switch the PC on at the main switch.

Internal power supply overloaded

- ▶ Disconnect the power plug of the system unit from the grounded power outlet.
- ▶ Plug the power plug into the grounded power outlet again.
- ▶ Switch the PC on at the main switch.

The screen stays blank

If your screen remains blank this may have the following causes:

Monitor is switched off

- ▶ Switch your monitor on.

Screen has been blanked

- ▶ Press any key on the keyboard.
- or
- ▶ Deactivate screen blanking (screen saver). Enter the appropriate password.

Settings in BIOS Setup

The *BIOS Setup* menu allows you to set your hardware configuration and system functions. When the PC is delivered, the default entries are valid (see Technical Manual for the system board or in the manual "BIOS Setup"). You can customize these settings to your requirements in *BIOS Setup*.

If you want to change settings in *BIOS Setup*, you must:

- call *BIOS Setup*
- select the relevant menu
- select the field for the entry you want to change
- change the entry
- make other settings, if required
- save the settings and exit *BIOS Setup*

This chapter shows you how to call and operate *BIOS Setup*. The menus and setting options provided by *BIOS Setup* are described in detail in the Technical Manual for the system board or in the manual "BIOS Setup".

Calling BIOS Setup

- ▶ Reboot the PC.

One of the following messages will be displayed at the bottom of the screen:

Press <F2> to enter Setup

Press <F1> to resume, <F2> to Setup

- ▶ Press function key **[F2]**.



If you have assigned a setup password, you must now enter this password and confirm it with the Enter key.

The *Main* menu of *BIOS Setup* is displayed on the screen.

To lock the settings of installed boards with their own BIOS in addition to preventing booting of the *BIOS Setup*, mark the *Setup Password Lock* field and select the value *Extended*.

or the system password:

To prevent booting of the operating system, mark the *System Password Mode* field and select the value *System*.



To lock the keyboard and the mouse, use the security functions of your operating system instead of the *Keyboard* entry.

you do not want to make any other settings, you can exit *BIOS Setup*.

Select the option *Save Changes & Exit* in the *Exit* menu.

The device is rebooted and the new setup/system password is effective.

Canceling the setup/system password

If you cancel the Setup password, you automatically deactivate the system password.



To cancel the setup/system password without setting a new password:

Call *BIOS Setup* and select the *Security* menu.

Mark the *Set Setup Password* or *Set System Password* field and press the Enter key.

You are asked to enter a password:
Enter new Password:

Press the Enter key twice.

Select the option *Save Changes & Exit* in the *Exit* menu.

The device is rebooted and the new setup/system password is canceled.

Operating BIOS Setup

If you want to exit *BIOS Setup* without saving the new settings:

- Press the **[Esc]** key to enter the *Exit* menu.
- Select the option *Discard Changes & Exit*.
- Press the Enter key.

Changing settings

To select the required menu in the menu bar, use the cursor **[←]** or **[→]**. To select the required field, use the cursor keys **[↑]** or **[↓]**. The field selected is highlighted.

To display a submenu, select the corresponding field (marked with **▶**), and press the Enter key. Press the **[ESC]** key to return from the submenu to its superior menu.

To change the entry for the selected field, use the **[+]** or **[−]** keys on the numerical keypad.

To set the default entries for the selected menu, press the function key **[F9]**.

To revert the fields of the selected menu to the entries that were in effect when *BIOS Setup* was called, press the function key **[F7]**.

Saving settings

To save changed settings without exiting *BIOS Setup*, select *Save Changes* in the *Exit* menu.



If you change entries in *BIOS Setup*, make a note of the changed entries (e.g. in the technical manual for the system board or in the "BIOS Setup" manual), or print out the changed screen page.

You can print the current screen page using the key combination

Shift + **[Print]** if a printer is connected to the parallel port of the device.

Preventing unauthorized writing of diskettes

To activate this protection, select the value *Disabled* for the *Diskette Write* field in the *Security menu*.

Protecting BIOS from overwriting

To activate this protection, select the value *Disabled* for the *Diskette Write* field in the *Security menu*.

Protecting PC from being switched on by an external device

To activate this protection make the required settings in the *Power-on/Off* sub menu.

Property and data protection

The software functions and mechanical lock on your PC enables you to protect your system and personal data in a number of ways against unauthorized access. By combining these options, you can achieve optimum protection for your system.

Locking the system unit mechanically

You can mechanically lock the casing by means of the lock on the front of the system unit.

If your system is equipped with a drive cover you can additionally lock the drives and the ON/OFF switch.

Access authorization via chipcard

In systems that are equipped with a chipcard reader, access can be restricted to users who have a corresponding chipcard.

Anti-theft protection

The system unit is equipped with an eye on the back of the housing which can be used to secure the system with a chain

Lead-sealing

To prevent unauthorized persons from opening the system unit, the housing can be lead-sealed. To do this, use the eye on the back of the housing and the hole in the upper housing section.

Security functions under MS Windows

Under MS Windows you can activate a screen saver and protect it with a password. Only those users who know the password can deactivate the screen saver and access any open files. Detailed information on screen savers under MS Windows is provided by the associated help function.

Security functions under Windows NT

You can use the *SSLAUNCH* program to start the screen saver *PowerSaver* immediately. These programs are located on the "Drivers & Utilities" CD.

Information on *PowerSaver* and *SSLAUNCH* can be found in the *POWERSAV.HLP* and *SSLAUNCH.EXE* files.

Security functions under Windows 95

The *DeskLock* program enables you to activate the screen saver using a short-cut. Detailed information on this program is provided by the associated help function.

Security functions under Windows for Workgroups

Using the *DeskLock* program you can lock the mouse and keyboard so that no cut can be made. You can use *QLOCK.EXE* or *QLOCKWIN.EXE* under Windows Workgroups and *QLOCK.COM* under MS-DOS. Information on *QLOCK.EXE* or *QLOCKWIN.EXE* can be obtained using the menu item Help, if you have called the program under Windows for Workgroups. Information on *QLOCK.COM* is provided in the Windows for Workgroups *Info* window or in the *QLOCK.TXT* file in the *C:\DRIVER* directory.

BIOS Setup security functions

The *Security* menu in *BIOS Setup* offers you various options for protecting your system and personal data against unauthorized access. By combining these options, you can achieve optimum protection for your system.



A detailed description of the *Security* menu is provided in the Technical Manual for the system board or in the "BIOS Setup" manual. The section "Setting the Setup/System password" describes how you set up passwords.

Preventing unauthorized BIOS Setup calls

You can activate this protection by setting a setup password in the *Security* menu. In addition, you can suppress the *Press <F2> for Setup* message in the *Security* menu. This message is then no longer displayed while the PC is booting.

Preventing unauthorized system access

You can activate this protection by setting a system password in the *Security* menu.

Preventing unauthorized access to the settings of boards with their own BIOS

You can activate this protection by selecting the value *Extended* for *Setup Password Lock* field in the *Security* menu.

Preventing system booting from the diskette drive

You can activate this protection by selecting the value *Diskette Lock* for the *System Load* field in the *Security* menu.

Activating virus warnings

You can have a warning output if the boot sector has been modified. To activate this warning, select the value *Enabled* for the *Virus Warning* field in the *Security* menu.

Exiting BIOS Setup

To exit *BIOS Setup*, select the *Exit* menu from the menu bar. You can then decide which settings you want to save. The *Exit* menu offers the following options.

You must mark the required option and activate it with the Enter key.

Save Changes & Exit

Select *Save Changes & Exit* to save the current settings and exit the *BIOS Setup*. The PC is rebooted and the new settings come into effect.

& Exit

Select *Discard Changes & Exit* to discard the changes you have made. The settings which were in force when *BIOS Setup* was called remain effective. *BIOS Setup* is terminated and the PC is rebooted.

Get Default Values

To revert all the menus of *BIOS Setup* to the default entries, select *Get Default Values*. If you want to exit *BIOS Setup* with these settings, select *Save Changes & Exit*.

Load Previous Values

To load the values of all the menus of *BIOS Setup* that were in effect when *BIOS Setup* was called, select *Load Previous Values*. If you want to exit *BIOS Setup* with these settings, select *Save Changes & Exit*.

Save Changes

To save settings without exiting *BIOS Setup*, select *Save Changes*.

Setting the Setup/System password

The Setup password prevents unauthorized calling of *BIOS Setup*. *BIOS Setup* can be called only by those who know the Setup password.

The system password prevents unauthorized access to your device. With the system password you can prevent booting of the operating system. The system can be accessed only by those who know the system password.

You must also set a Setup password to make the system password effective.



The password must be four to eight characters in length. All alphanumerical characters can be used; no differentiation is made between upper-case and lower-case.

Passwords are not displayed as they are entered.

If you have forgotten your passwords, please contact your technical customer service.

To set or change the setup/system password, proceed as follows:

- ▶ Call *BIOS Setup* and select the *Security* menu.
- ▶ Mark the *Set Setup Password* or *Set System Password* field and press the Enter key.

You are asked to enter a password:

Enter new Password:

- ▶ Enter the password and press the Enter key.

You are asked to confirm the password:

Re-enter new Password:

- ▶ Enter the password again and press the Enter key.

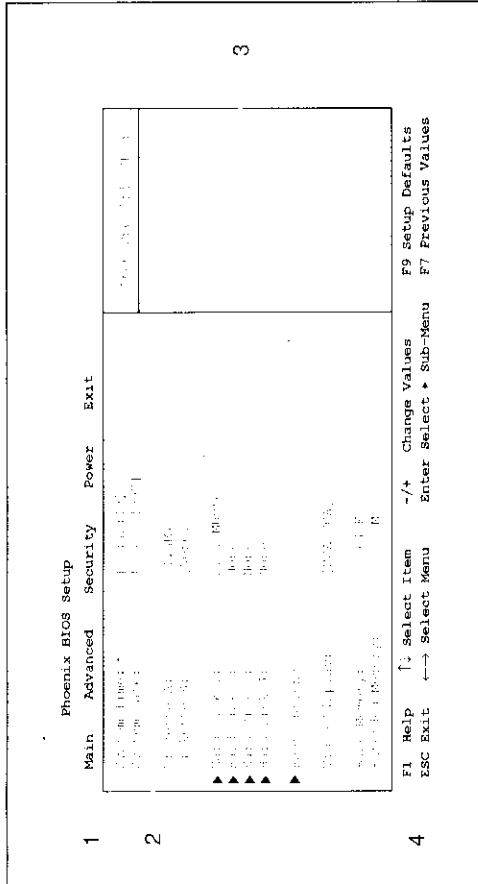
The new password is saved.

Changes have been saved [Continue]

For the setup password:

You can now choose whether you want the Setup password to prevent calling of the *BIOS Setup* only or in addition lock the settings of installed boards with their own BIOS.

- ▶ To prevent calling of the *BIOS Setup* only, mark the *Setup Password Lock* field and select the value *Standard*.



Example of the *Main* menu of the *BIOS Setup*

- 1 = Menu bar
- 2 = Working area
- 3 = Information area
- 4 = Operations bar

The *BIOS Setup* screen is divided into the following areas:

- **Menu bar (1)**
In the menu bar, you can select the different *BIOS Setup* menus.
- **Working area (2)**
The working area displays the setting options (fields) of the selected menu. You can set the entries in the displayed fields according to your requirements.
 - ▶ indicates fields which open further submenus. You can change entries in these submenus.
- **Information area (3)**
The information area displays brief information on the selected field.
- **Operations bar (4)**
The operations bar indicates which keys you can use to operate *BIOS Setup*.

i You can display more information on the functions of the keys by pressing **F1**.

Troubleshooting and tips



Take note of the safety hints in the manual "Safety and Ergonomics" and in the chapter "Preparation for use and operation", when you connect or disconnect cables.

If a fault occurs, try to correct it as described:

- in this chapter
- in the documentation of the connected devices
- in the help systems of the software used.

If you fail to correct the problem, proceed as follows:

- ▶ Switch the PC off.
- ▶ Make a note of the steps and the circumstances that led to the fault. Also make a note of any error messages displayed and the Ident-No. of your device.
- ▶ Contact your sales office or customer service.

Installing new software

When installing programs or drivers, important files may be overwritten and modified. To be able to access the original data in the case of any problems following installation, you should make a backup of the your hard disk prior to installation.

Brightness control is set to dark

- ▶ Set the brightness control to light. For detailed information, please refer to the Operating Manual supplied with your monitor.

Power cable or monitor cable not connected

- ▶ Switch off the monitor and the system unit.
- ▶ Check that the power cable is properly connected to the monitor and system unit or to the grounded power outlet.
- ▶ Check that the monitor cable is properly connected to the system unit or monitor (if not permanently attached).
- ▶ Switch on the monitor and the system unit.

Wrong monitor has been set under Windows NT

- ▶ Restart the PC in standard VGA mode.
- ▶ Set the desired resolution in the *Control Panel* window using the *Display* program, and adjust the monitor display as described in the Operating Manual.

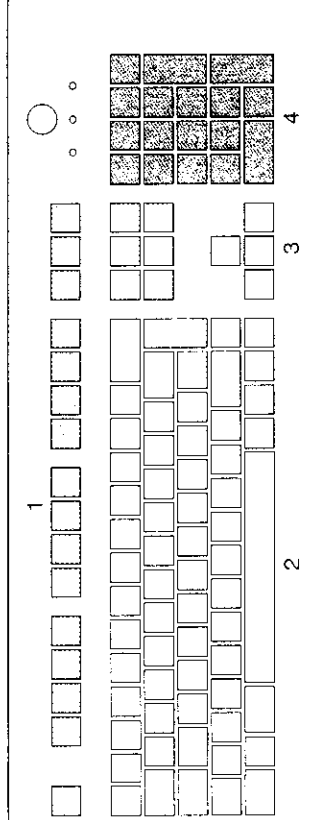
Wrong monitor has been set under Windows 95

- ▶ Reboot the PC.
- ▶ If the message *Starting Windows 95* appears, press function key **F8**.

The Windows 95 start menu appears.

- ▶ Select the option *Safe mode* or *Safe mode with network support*.
- ▶ Set the correct values for the attached monitor by selecting *Start - Settings - Display - Settings*.

Keyboard



- 1 = Function keys
- 2 = Alphanumeric keypad
- 3 = Cursor control keys
- 4 = Calculator keypad (numeric keypad)

Important keys and key combinations

The following description of keys and key combinations refers to MS Windows. Details of other keys and key combinations can be found in the documentation of the relevant application program.



Enter key

confirms or starts the marked selection. The enter key is also referred to as the "Return" key or "Carriage Return".



Start key

invokes the *START* menu of Windows 95 and Windows NT.



Menu key

invokes the menu for the marked item (Windows 95) and Windows NT.

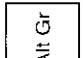


Shift key

enables upper-case letters and the upper key symbols to be displayed.



Alt Gr

produces a character shown on the right-hand side of a key (e. g. the character "\" on the key ).

No mouse pointer displayed on the screen

- ▶ Shut down the operating system properly.
- ▶ Switch the PC off.
- ▶ Check that the mouse cable is properly connected to the system unit. If you use an adapter or extension lead with the mouse cable, check the connector.
- ▶ Make sure that only one mouse is connected.
- ▶ Switch the PC on.
- ▶ The mouse controller must be enabled, if you use a PS/2 mouse. Check in the *BIOS Setup* that the mouse controller is enabled.
- ▶ Check that the mouse driver is properly installed and is present when the application program is started. Detailed information can be found in the User Guide of the mouse or application program.

The floppy disk cannot be read or written

- ▶ Check that the write-protection of the floppy disk or the floppy disk drive is activated (refer also to the Technical Manual of the system board or in the manual BIOS).
- ▶ Check the relevant entries for *Diskette A:* or *B:* in the *Main* menu of the *BIOS Setup*.
- ▶ Check that the floppy disk drive controller is enabled (refer also to the Technical Manual of the system board or in the manual "BIOS Setup").
- ▶ Check that the cables of the floppy disk drive are properly connected (refer to chapter "System expansions").

- Power-on indicator

The indicator lights up green when the system unit is switched on.

The indicator lights up orange when the system unit is ready-to-operate.

In this mode the PC consumes very little power and can be switched on at the ON/OFF switch. If the remote-on function is *Enabled* in the *BIOS Setup*, the system unit can be switched on by an incoming message (e. g. fax, telephone call).

The indicator does not light when the system unit is switched off.

- Hard disk indicator

The indicator lights up when the hard disk drive of the system unit is accessed.

Restoring the hard disk contents under Windows 95

Using the backup diskettes or Windows 95 CD, you can restore your PC to the state in which it was originally delivered from the factory.

Restoring hard disk contents with a Windows 95 CD

- ▶ Proceed as described in the related documentation.

Restoring the hard disk contents using the backup diskettes

- ▶ Insert the first backup disk and follow the instructions on the screen.
- ▶ Install the drivers and utilities in the *C:\PROGRAMS\DISKS* directory.

Restoring the hard disk contents under Windows for Workgroups

The contents of the utility and driver diskettes of your system are located in the *C:\DRIVER* directory. You can create the corresponding diskettes by means of the relevant batch programs.

To restore the hard disk contents you also need MS-DOS and Windows for Workgroups disks. If you do not have these disks available, you can purchase a set of backup disks for MS-DOS and Windows for Workgroups. Contact your sales office or customer service.

The power-on indicator lights green and the PC is started.

i If you have assigned the system password, you must enter this when requested to do so, in order to start the operating system.

Switching off the PC

- Shut down the operating system properly.
- Switch the system unit to ready-to-operate (with the ON/OFF switch) or switch it off (with the main switch).

If the system unit is ready-to-operate, the power-on indicator lights up orange. The system unit consumes a minimum of energy and can be switched on by an external device (provided that the remote-on functionality is enabled in *BIOS Setup*).

When the system unit is switched off with the main switch the power-on indicator is dark after approx. 15 seconds. The system unit no longer uses any power.

i The main switch and the ON/OFF switch do not disconnect the system unit from the line voltage. To disconnect the line voltage completely, remove the power plug from the grounded power outlet.

Switching the PC ready-to-operate by means of software

You can switch your PC ready-to-operate via software:

- Windows 95 and Windows NT via *Start - Shut Down - Shut down the computer* or using the *DeskOff* program
- Windows for Workgroups using the *SWOFF* program

Prerequisite: Your system must support switching off with software and this functionality must be enabled in *BIOS Setup (Soft Power OFF - Enabled)*. In addition, the soft off software must be installed on Windows NT systems. Opening

System expansions



It may be necessary to update the BIOS when carrying out a system expansion or hardware upgrade. In this instance, please contact our service.

This chapter describes all the activities required to modify your PC hardware (e.g. installing boards or drives).

Memory and processor upgrading are described in the Technical Manual for the system board.

Read the supplied documentation before installing new drives and/or boards.


Refer to the Technical Manual for the system board before making any extensions on the system board.

Opening the system unit



Pay attention to the relevant safety notes provided in chapter "Important notes".

Due to the design, a number of steps are omitted for systems with an ATX system board. Observe the notes for these steps.

- ▶ Switch the PC off.
- ▶  Pull the power plug out of the power outlet!
- ▶ If any cables attached to the system unit are obstructing you, pull out the connectors on the system unit.
- ▶ Place the system unit in a convenient working position.

System unit is ready-to-operate

The main switch (1) is in position I and the power-on (3) indicator lights up orange. In this mode, you can switch the system unit on with the ON/OFF switch (2). The "ready-to-operate" status corresponds to the "stand-by" status of a TV set.

System unit is on

The main switch (1) is in position I and the power-on indicator (3) lights up green. The system unit can be switched ready-to-operate at the ON/OFF switch (2).

Switching on the PC for the first time

When you switch on your PC for the first time the supplied software is set up and configured.



Notes on Windows NT

If your unit has been supplied with Windows NT, first read the manual "Windows NT Setup, First Steps", and obtain the data for your system environment requested there.

- ▶ Switch on the monitor and, if necessary, adjust the brightness (see the Operating Manual for the monitor).
- ▶ Switch the system unit on with the main switch at the rear of the system unit.



If the power-on indicator lights orange, the system unit is ready-to-operate. Press the ON/OFF switch at the front of the system unit.

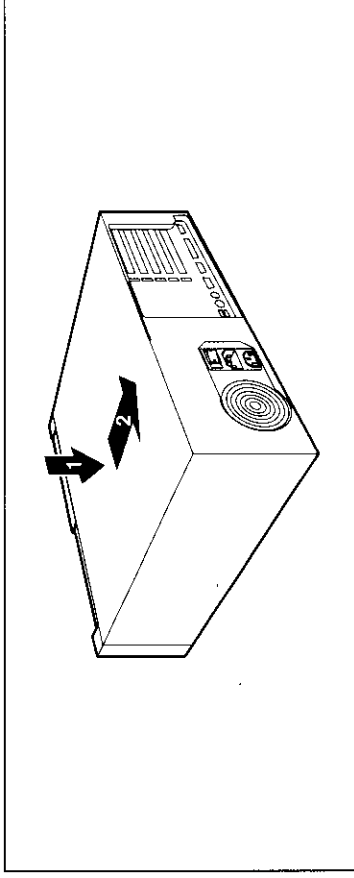
The power-on indicator lights green and the PC is started.

- ▶ Please follow the instructions on the screen.



During these operations the PC must not be switched off nor rebooted by means of a warm start.

Assembling the system unit

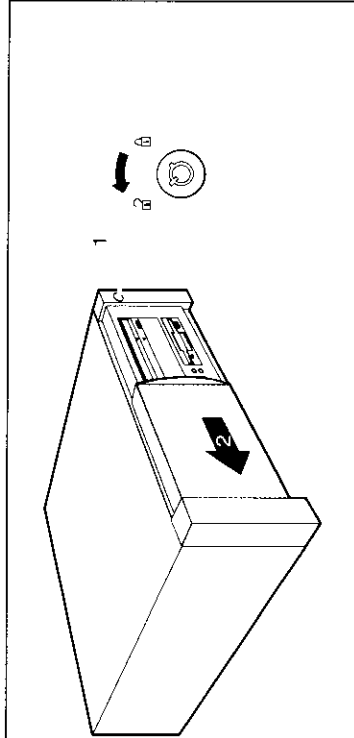


- ▶ Position the top cover on the system unit in the direction of the arrow (1). Ensure that the locating pins on the inside of the top cover engage in the corresponding guides on the system unit.
- ▶ Push the top cover in the direction of the arrow (2) until it engages.
- ▶ Return the system unit to its original position.
- ▶ If you have disconnected cables, reconnect them at the rear.

Unlocking/locking the system unit

You can use the lock on the cover to lock the system unit mechanically. If your system is equipped with a drive cover, you can also lock access to the ON/OFF switch and drives.

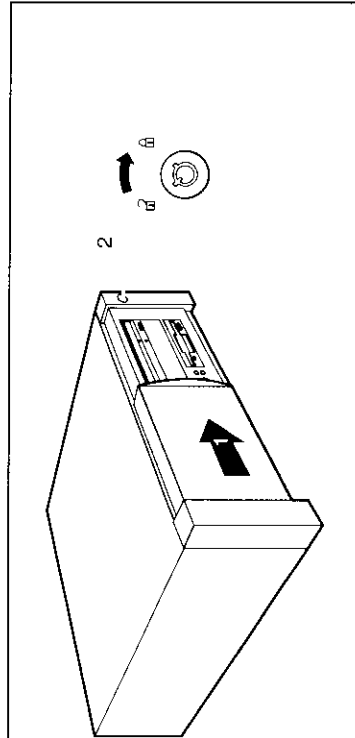
Unlocking the system unit



Turn the key counterclockwise (1).

Slide the drive cover in direction of the arrow (2).

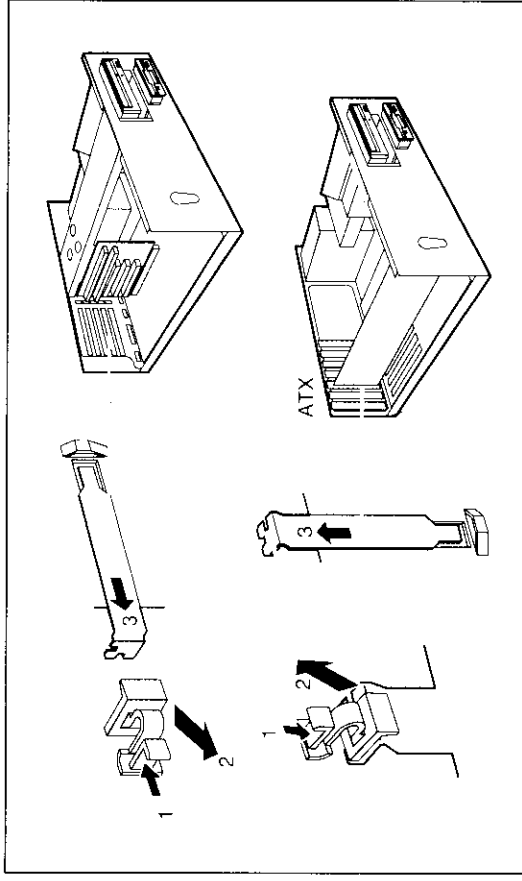
Locking the system unit



Slide the drive cover in direction of the arrow (1) and turn the key clockwise (2).

Installing a board

- ▶ Remove the top cover (see "Opening the system unit").



▶ Press on the clip in the direction of the arrow (1) and remove it (2).

▶ Remove the rear slot cover plate from the slot (3).



Do not dispose of the rear slot cover plate. For cooling, protection against fire and in order to comply with EMC regulations, you must refit the rear slot cover plate if you remove the board.

▶ Take the new board out of its packaging.

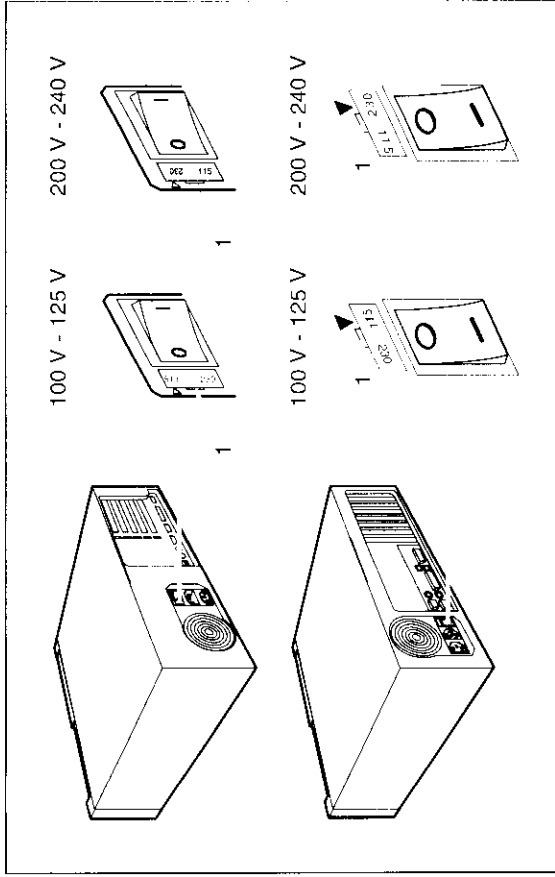
▶ Make the required settings for the board.



For slot board b (see slot board), a screen controller board has to be installed in the uppermost PCI slot.

The lower location is only for short boards (up to 180 mm).

Connecting the PC to the line voltage



1 = Notch for inserting the screwdriver

- ▶ Check the rated voltage.

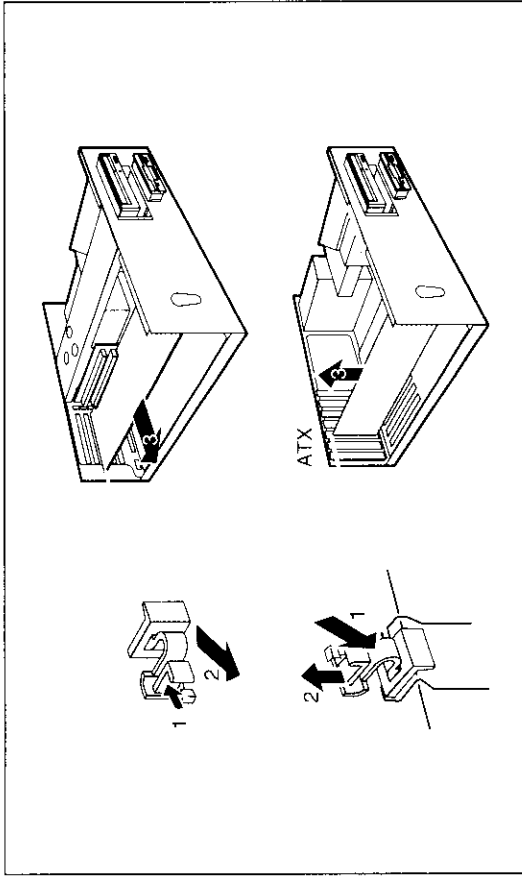


The value marked with an arrow must agree with the local line voltage:
115 = 100 V to 125 V
230 = 200 V to 240 V

If the rated voltage does not agree with the local line voltage, lift out the plug-in unit with a screwdriver (1), turn it and replace it.

Removing a board

- ▶ Open the system unit (see "Opening the system unit").
- ▶ Remove the lines connected to the board.



- ▶ Press on the clip in the direction of the arrow (1) and remove it (2).
- ▶ Remove the board from the system unit (3).
- ▶ Place the board into an appropriate packaging.

Connecting the mouse

Plug the connector of the mouse cable into the mouse port.

If you attach a serial mouse, you can disable the mouse controller in the *BIOS-Setup* in order to free the IRQ12 for a different application. If the mouse controller is disabled, you will not be able to operate a mouse connected to the PS/2 mouse port.

Connecting devices with serial or parallel port

Connect the data cable to the external device.

Connect the data cable of the external device to the appropriate port on the system unit.

Most devices that you connect to the serial or parallel port require special drivers. Your operating system already includes many drivers. But if the driver you need is not on the hard disk please install it from the floppy disk supplied with the device or with the application program.

If you need to change the default settings of the serial or parallel port (e.g. address, interrupt), you can do so in the *BIOS Setup*. The default setting for the interfaces are described in the Technical Manual for the system board or in the "BIOS Setup" manual.

Installing and removing drives

The system unit houses a total of three accessible drives (two 5 1/4-inch drives and one 3 1/2-inch drive) and two non-accessible half-height (Slimline) drives.

IDE drives

Four IDE drives are supported in the default configuration, whereby ideally hard disks should be connected to IDE interface 1 and slower IDE drives (e.g. CD-ROM) to IDE interface 2 (also see Technical Manual of system board). The two existing IDE cables of the channels can be used for this purpose.

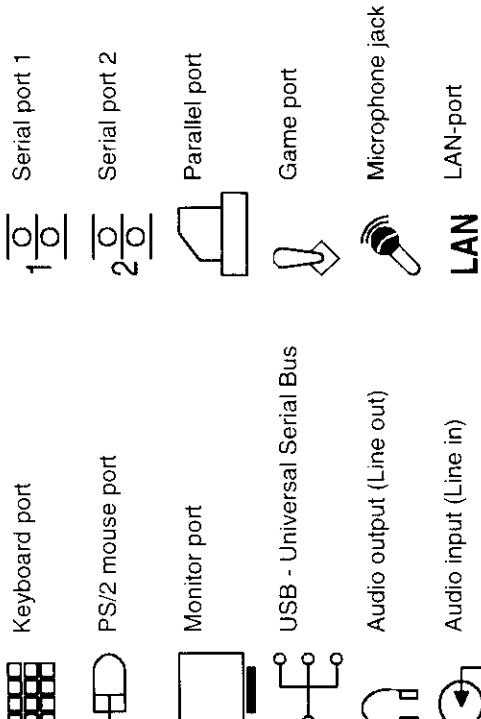
SCSI drives

If you want to install an SCSI drive, you require an SCSI controller and an SCSI cable. Note that:

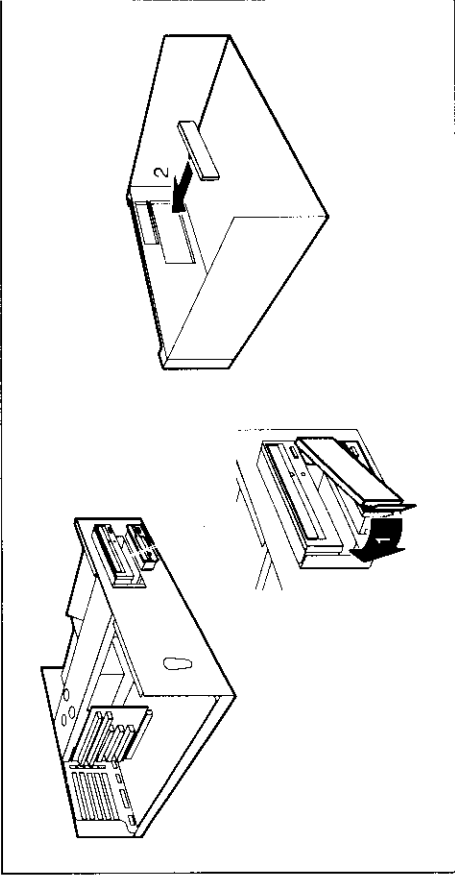
- not every SCSI controller is suitable for operating SCSI hard disks
- each SCSI device must be assigned its own SCSI-ID
- a device with activated or connected terminating resistors must always be connected at the end of an SCSI cable. The terminating resistors of all other SCSI devices attached must not be activated or connected.
- to connect SCSI drives with a 50-pin connector an adapter is required that adapts to the 68-pin SCSI cable.
- only a wide SCSI drive with a 68-pin connector may be connected to the end of the SCSI cable so that the SCSI bus is correctly terminated.

Ports for external devices

The ports for external devices are on the rear and on the front of the system unit. The ports available on your PC depend on the configuration level you have selected. The standard ports are marked with symbols like those below or similar symbols. Exact details of the position of the ports are supplied in the Technical Manuals for the boards.



Some of the devices that you connect require special drivers (see the documentation for the connected device and for the operating system).



- ▶ Insert the metal cover on the right-hand side and snap it into place on the left-hand side of the metal casing (1).
- ▶ Press the plastic cover into the bay in the top cover from the inside (2). Ensure that the cover engages.
- ▶ Close the system unit (see "Assembling the system unit").



If necessary, you must adapt the entry for the drive in the *Setup* menu.

Preparing the PC for use

Initial-time setup includes the connection of the devices (monitor, mouse, keyboard) and the setup of the supplied software.

When you set up the PC for the first time, you should carry out the following steps in the order shown:

Decide where you are going to use the PC.

Connect the external devices to the system unit.

Check the rated voltage of the system unit and connect it to the line voltage.

Switch the PC on and follow the instructions on the screen.

Setting up the PC

When installing your PC, give consideration to the recommendations on video workstation ergonomics in the manual "Safety and Ergonomics".

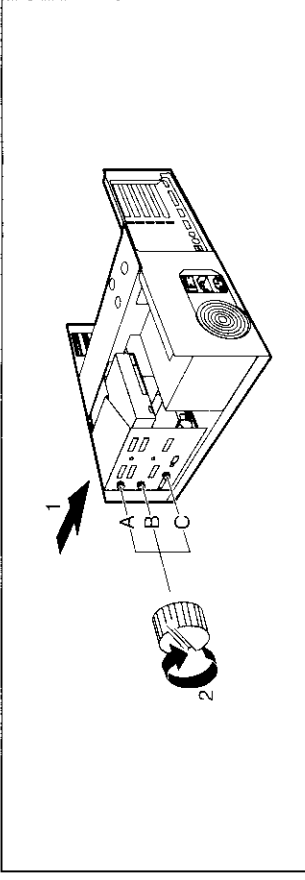
Set up the PC only in its correct orientation. The points to observe are illustrated on the following pages.

We recommend that you place your equipment on a surface with good anti-slip qualities. In view of the multitude of different finishes and varnishes used on furniture, it is possible that the rubber feet of the devices will mark the surface they stand on.

Do not expose the PC to extreme environmental conditions (see chapter "Technical data"). Protect it from dust, humidity and heat.

Provide at least 200 mm of clearance on the left, in front of and behind the ventilator area of the system unit to ensure adequate ventilation. Do not cover the ventilation areas of the monitor and the fan.

Do not place several system units one above the other.

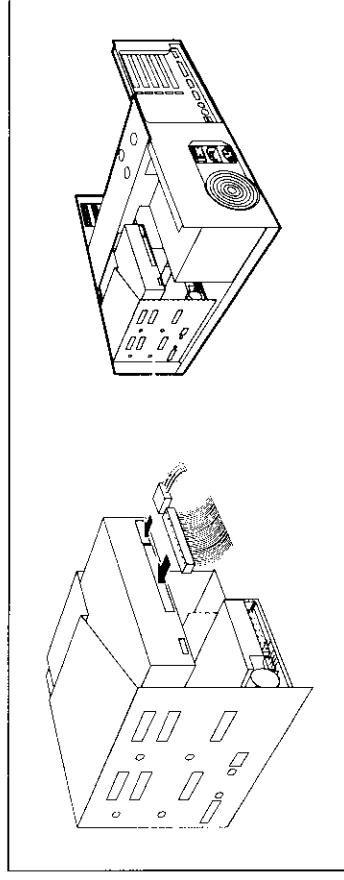


- A = Position of the knurled screw for the uppermost drive
- B = Position of the knurled screw for the middle drive
- C = Position of the knurled screw for the lowest drive

- ▶ Push the drive into the system unit (1), and fix it with the knurled screw (2).



If the controls of a drive stick out too far, you can install the drive set further back in the middle bay, so that it is possible to close the drive cover.



- ▶ Plug the data and the power supply connectors into the drive.
- ▶ Close the system unit (see "Assembling the system unit").



If necessary, you must adapt the entry for the drive in the *Setup* menu.

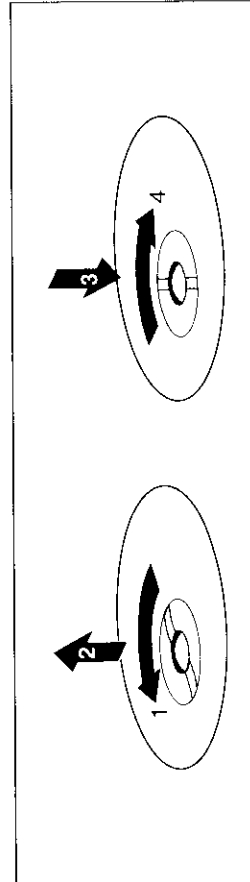
Cleaning the system unit and the monitor

Wipe the system unit and monitor casing with a dry cloth. If particularly dirty, use a cloth which has been moistened in mild domestic detergent and then carefully wrung out.

Cleaning the keyboard and the mouse

Use a cloth for disinfection to clean the keyboard and the mouse.

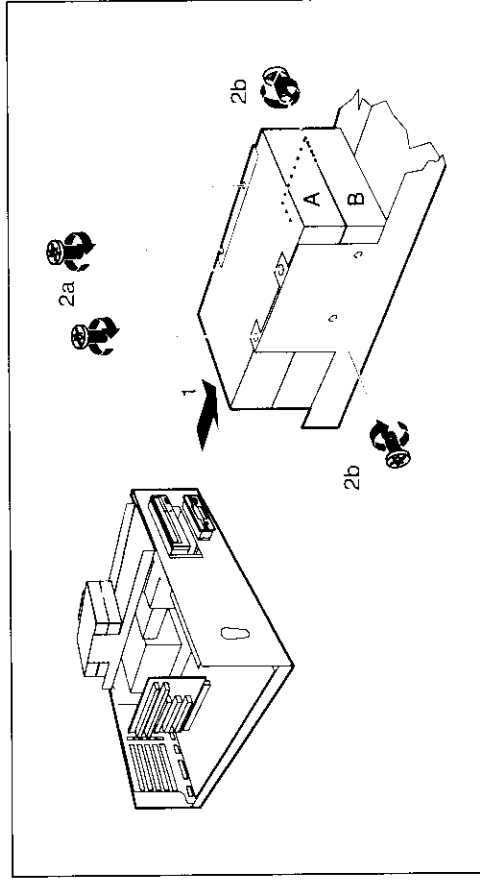
Remove the retaining ring on the underside of the mouse and then clean the mouse mechanism and the rotating ball.



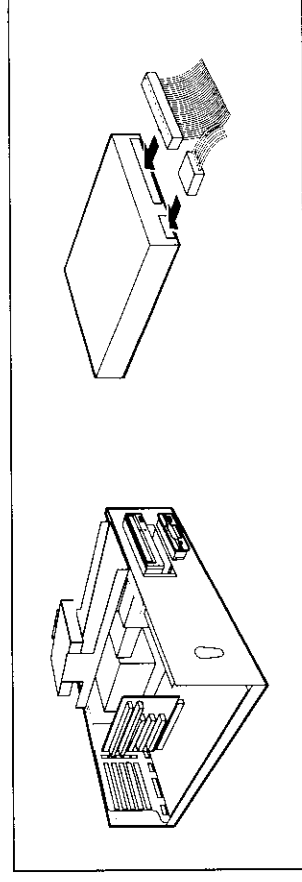
- ▶ Using both thumbs exert downward pressure on the notches of the retaining ring and turn the ring counter-clockwise (1).
- ▶ Remove the retaining ring and the rotating ball from the mouse (2).
- ▶ Clean the three small wheels in the mouse and the ball with a lint-free cloth.
- ▶ Replace the ball and the retaining ring (3).
- ▶ Using both thumbs exert downward pressure on the notches of the retaining ring (4) and turn the ring clockwise. You must feel the ring engage.

Installing a hard disk drive

- ▶ Take the new hard disk drive out of its packaging.
- ▶ Make the required settings (e.g. master-slave settings) on the drive.



- ▶ Slide the hard disk drive into the drive carrier (1).
- ▶ Secure the drive in bay A using the screws 2a, or secure the drive in bay B using the screws 2b.



- ▶ Plug the data and the power supply connectors into the hard disk drive.

Important notes for the United Kingdom

Check the plug on the flexible cord not be of the type for your socket outlets, do not use an adapter but remove the plug from the cord and discard. Carefully prepare the end of the supply cord and fit a suitable plug.

WARNING

THIS APPLIANCE MUST BE EARTHED

IMPORTANT

The wires in this mains lead are coloured in accordance with the following code:

Green and Yellow:	Earth
Blue:	Neutral
Brown:	Live

The colours of the wires in the mains lead of this appliance may not correspond with the coloured markings identifying the terminals in your plug, proceed as follows:

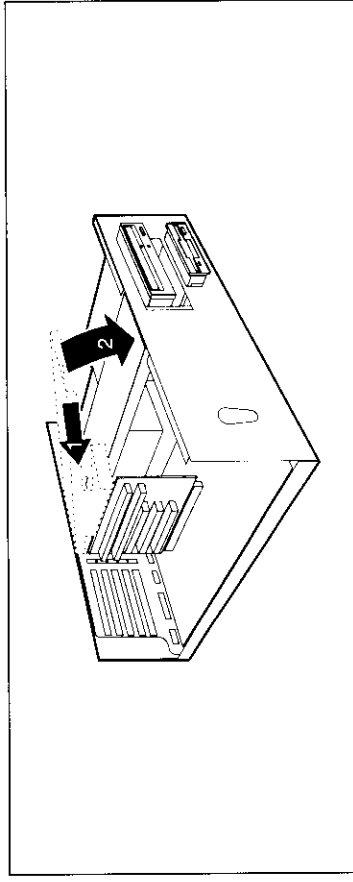
The wire which is coloured Green and Yellow must be connected to the terminal in the plug which is marked with the letter E or by the earth symbol or coloured Green or Green and Yellow.

The wire which is coloured Blue must be connected to the terminal which is marked with the letter N or coloured Black.

The wire which is coloured Brown must be connected to the terminal which is marked with the letter L or coloured Red.

Installing and removing drives

Installing the hard disk carrier



- ▶ Place the hard disk carrier into the system unit at a slanting angle (1) and tilt it downward (2). When you tilt the hard disk carrier, ensure that it locks in place properly on the slot board (if there is a slot board).



During removal, plug in any cables or film plugs which may have been pulled out.

- ▶ Close the system unit (see "Assembling the system unit").



If necessary, you must adapt the entry for the drive in the *Setup* menu.

Use of shielded I/O cables is required when connecting this equipment to any all optional peripheral or host devices. Failure to do so may violate FCC rules.

Power cord selection

The power cord for this unit has been packed separately and has been selected according to the country of destination. It must be used to prevent electric shock. Follow the following guidelines if it is necessary to replace the original cord set.

The female receptacle of the cord set must meet CEE-22 requirements (see Figure 1).

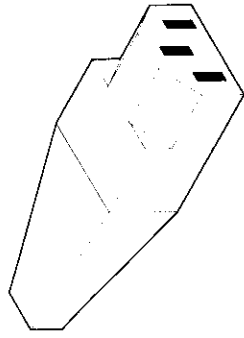


Figure 1

For the United States and Canada

Use a UL listed and CSA labeled cord set consisting of a three conductor cord with a maximum length of 15 feet.

For units which stand on a desk or table, type SVT or SJT cord sets shall be used.

For units which stand on floor, only SJT type cord sets shall be used.

The cord set must be selected according to the current rating for your unit. Please consult Table A for the selection criteria for power cords used in the United States and Canada.

Replacing the lithium battery

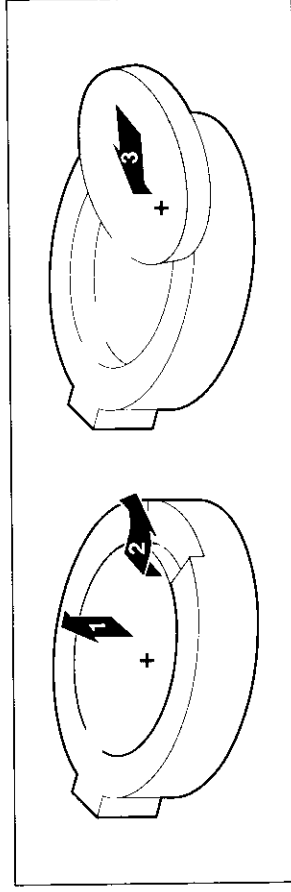


Incorrect replacement of the lithium battery may lead to a risk of explosion.

The lithium battery must be replaced with an identical battery or a battery type recommended by the manufacturer.

Do not throw lithium batteries into the trashcan. It must be disposed of in accordance with local regulations concerning special waste.

Make sure that you insert the battery the right way round. The plus pole must be on the top!



▶ Lift the contact (1) a few millimeters and remove the battery from its socket (2).

▶ Insert a new lithium battery of the same type in the socket (3).

Disposal and recycling

This device has been manufactured to the greatest possible degree from materials which can be recycled or disposed of in a manner that is not environmentally damaging. The device is taken back after use, so that it can be recycled, provided it is returned in a condition which is the result of normal use. Any components recuperated will be disposed of in an environmentally acceptable manner.



For devices marked with this symbol Siemens Nixdorf Informationssysteme AG (SNI) offers a guarantee for **36 months** with a **Bring-in-Service**. The guarantee starts on the day of delivery (sale date) by SNI or an SNI partner.

We herewith declare that it will be possible to repair any device marked with the eco-label for at least 5 years after production of that device has discontinued.

Information on power management and energy saving mode can be found in chapter "Technical data".

Do not throw lithium batteries or accumulators into the trashcan. They must be disposed of in accordance with local regulations concerning special waste.

If you have any questions on disposal, please contact your local office, our service department, or, directly:

Siemens Nixdorf Informationssysteme AG

Recycling Center
333094 Paderborn

Phone: +49 (05251) 818 013

Fax: +49 (05251) 818 015

E certificate



This device complies with the requirements of the EEC directive 89/336/EEC "Electromagnetic compatibility" and 73/23/EEC "Low voltage directive" with amending directive 93/68/EEC.

Technical data

Electrical data

Regulations complied with:

EN 60950 / VDE 0805
UL 1950
CSA 22.2 No.950

Protection class:

I
100 V to 127 V / 200 V to 240 V

Rated voltage range: (selectable)

Frequency:
50 Hz - 60 Hz

Max. rated current:

100 V - 127 V / 5,5 A(D5)/6 A(D6)
200 V - 240 V / 3,0 A
100 V - 127 V / 3 A
200 V - 240 V / 1,5 A

• System unit with monitor socket:

• Monitor socket (output)

Maximum power draw in operation:

< 59 W *)
35 W *)

Minimum power draw in operation:
reduced by Windows 95

Power management advanced

Power draw in energy saving mode:

26 W *)

Power draw in the 'ready' status

≤ 3 W

*) These values only apply for a SCENIC Pro D with the configuration below. When additional components are incorporated, the power consumption in energy saving mode may exceed the requirements for the environment symbol ("Blue Angel") (30 W).

Processor (256 Kbyte cache):

Pentium Processor II at 233 MHz

Main memory:

32 Mbytes

Floppy disk drive:

1.44 Mbytes

Hard disk drive:

3.2 Gbyte

Software:

Windows 95

Power management - Advanced...

CD-ROM drive:

24fold

Dimensions

Width/Depth/Height:

436 mm/418 mm/157 mm

Weight:

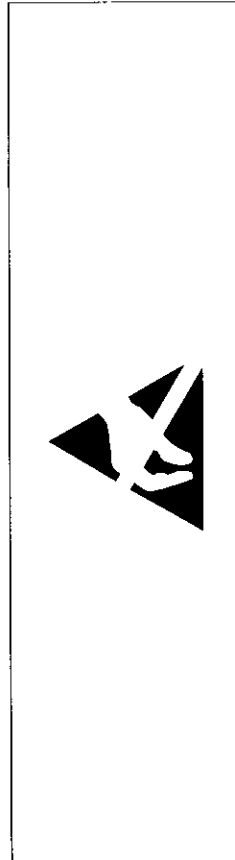
ca. 9 kg (88.3 N) in basic configuration

Important notes

Interrupt table

Boards with electrostatic sensitive devices (ESD) may be identified by labels.

Please note that an interrupt cannot be used by two applications at the same time.



When you handle boards fitted with ESDs, you must observe the following points under all circumstances:

- You must always discharge yourself (e.g. by touching a grounded object) before working.

- The equipment and tools you use must be free of static charges.

- Pull out the power plug before inserting or pulling out boards containing ESDs.

- Always hold boards with ESDs by their edges.

- Never touch pins or conductors on boards fitted with ESDs.


	Address	Interrupts assigned as shipped	possible Interrupts
Keyboard		IRQ1	
Serial interface COM1	03F8	IRQ4	
Serial interface COM 2	02F8	IRQ3	
Fax/modem	03E8		IRQ5
Floppy disk drive controller		IRQ6	
Parallel interface LPT1	0378	IRQ7	
RTC		IRQ8	
Audio controller		assigned by the BIOS	IRQ5, IRQ7, IRQ9
Mouse controller		IRQ12	
Numeric processor		IRQ13	
IDE controller 1		IRQ14	
IDE controller 2		IRQ15	

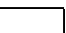
DMA channels

	DMA channels assigned as shipped
Floppy disk drive controller	DMA2
Free/ECP mode	DMA3
Cascaded DMA channels	DMA4

Notational conventions

meanings of the symbols and fonts used in this manual are as follows:

 Pay particular attention to texts marked with this symbol. Failure to observe this warning endangers your life, destroys the system, or may lead to loss of data.

 This symbol is followed by supplementary information, remarks and tips.

Texts which follow this symbol describe activities that must be performed in the order shown.

This symbol means that you must enter a blank space at this point.

This symbol means that you must press the Enter key.

Items in this typeface are screen outputs from the PC.

Items in **this bold typeface** are the entries you make via the keyboard.

Items in *italics* indicate commands or menu items.

Notation marks" indicate names of chapters and terms that are being emphasized.

Index



2



2



2



2



2

- A** Accessible drive
 installing 62
 removing 60
 Accumulator, disposal 6
 Activating, security measures 37
 Address 73
 Alphanumeric keypad 30
 Alt Gr key 30
 Anti-theft protection 37
 Assembling, PC 53
 Assignment
 DMA channels 73
 I/O address 73
 interrupt 73
 Audio input 16, 17
 Audio output 16, 17
- B** Battery 69
 disposal 6
 BIOS Setup
 calling 33
 changing 35
 security functions 39
 BIOS Setup 33
 exiting 36
 operating 35
- Board
 installing 54
 removing 54
 safety 4
- C** Cable
 connecting 15
 disconnecting 15
 Cabling, PC 15
 Cache, installing 68
 Calculator keypad 30
 Calling, BIOS Setup 33
 CD, Windows 95 49
 CD-ROM drive
 Indicator: 27
 installing 62
 manual 50
 removing 60
 CE certificate 6
 Changing
 BIOS-Setup 35
 hard disk drive 64
 lithium battery 69
 Checking, rated voltage 20
 Chipcard reader, indicator 27
 Class B Compliance Statement 7
 Cleaning 11
 Clearance 72
 Configuration, BIOS-Setup 33
 Connecting
 cables 15
 devices 15
 keyboard 17
 monitor 19
 mouse 18
 parallel port 18
 power voltage 20
 serial port 18
 Contents of delivery 13

Installing Windows 33

 Installing Windows NT 33

 Installing Windows 95 35

 Installing Windows 98 36

Security and data protection 37

 Backing up the system unit mechanically 37

 Disabling the system unit 37

 Disabling the system unit via chipcard 37

 Disk encryption 37

 Disk protection 37

 Disk sealing 37

 Disk security functions under MS Windows 38

 Disk security functions 39

 Setting the Setup/System password 41

Troubleshooting and tips 43

 Installing new software 43

 Power-on indicator remains dark after you have switched on your device 44

 Screen stays blank 44

 Screen flickering or drifting stripes on the monitor screen 46

 Mouse pointer displayed on the screen 47

 Floppy disk cannot be read or written 47

 Mouse and/or date is not correct 48

 Mouse messages on the screen 48

 Restoring the hard disk contents 48

 Restoring the hard disk contents under Windows NT 48

 Restoring the hard disk contents under Windows 95 49

 Restoring the hard disk contents under Windows for Workgroups 49

 System status 50

System expansions 51

 Adding the system unit 51

 Installing the system unit 53

 Removing and installing a board 54

 Removing and installing drives 59

 Removing an accessible drive 60

 Installing an accessible drive 62

 Installing or removing the hard disk drive 64

 Installing the system board 68

 Replacing the lithium battery 69

Technical data 71

 Interrupt table 73

Index 75

I

Interfaces 16

Interrupt table 73

Italics 2

K

Key combination 30, 31

Keyboard 30

 cleaning 12

 connecting 17

 port 16

Keys 30

L

LAN-port 16

Lead-sealing 37

Lift up, top cover 51

Line in 16, 17

Line out 16, 17

Lithium battery 68

 replacing 69

Locking, PC 22

M

Main memory 68

Main switch 23

Manufacturer's notes 5

Manuals 50

Memory, upgrading 68

Menu key 30

Microphone jack 16, 17

Monitor

 cleaning 12

 connecting 19

 port 16

 transporting 11

Mounting, top cover. 53

Mouse

 cleaning 12

 connecting 18

 error 47

 port 16

N

New Installation, Software 43

No screen display 44, 46

Noise level 72

Not enough memory 50

Notational conventions 2

Note

 board 4

 CE certificat 6

 disposal 6

 Energy saving 5

 important 3

 manufacturer 5

 power cord selection 8

 RFI session 7

 Safety 3

Num Lock key 31

Numeric keypad 30

O

ON/OFF switch 23

Opening, PC 51

Operating, BIOS Setup 35

Operation 13

Orange, power-on indicator 28

Other manuals 50

Overview, PC 1

Overview, preparing for use 14

P

Packing material 13

Parallel interface 16

Parallel port, connecting devices 18

Password

 Setup password 41, 42

 System password 41, 42

- Surface 71
- Switching off, PC 23, 26
- Switching on, PC 23, 25
- Symbols, explanation of 2
- System board, extensions 68
- System expansion 51
- System password 41
canceling 42
- System settings, BIOS Setup 33
- System unit, see PC
- T**
- Technical data 71
- Time, not correct 48
- Tips 43, 50
- Transport 11
- Trouble
- Floppy 47
 - mouse 47
 - screen 44, 46
 - System unit 44
- Troubleshooting 43
- U**
- Unlocking, PC 22
- Unpacking 13
- Upgrading
- memory 68
 - processor 68
 - Second Level-Cache 68
 - video memory 68
- USB, Universal Serial Bus 16
- V**
- Ventilation area 72
- VESA (DPMS) 5
- Video memory, upgrading 68
- Video workstation 14
- W**
- Warm boot 31
- Windows 95 CD 49
- Winter time 48
- Write protection, floppy 29

our training needs?

Siemens Nixdorf Training Centers offer you a wide range of training courses in information technology and on IT products and other subjects - onsite near to your workplace or offsite at one of our training centers.

Contact us for information on consulting, course schedules and selfstudy material - either fax (which is the fastest way):
fax: +49 89 636-42945

write to:

Siemens Nixdorf Informationssysteme AG
Training Center, Beratungsservice
81730 München

Microsoft, MS, MS-DOS, Windows and Windows NT are Trademarks of Microsoft Corporation.

VESA and DPMS are trademarks of Video Electronics Standards Association.

Windows 95 is a registered trademark of International Business Machines, Inc.

Intel is a registered trademark of Intel Corporation, USA.

Other trademarks referenced are trademarks or registered trademarks of their respective owners, whose protected rights are acknowledged.

Copyright © Siemens Nixdorf Informationssysteme AG 1998.

All rights, including rights of translation, reproduction by printing, copying or similar methods, or of parts are reserved.

Liability will be liable for damages.

All rights, including rights created by patent grant or registration of a utility model or design, are reserved.

Delivery subject to availability. Right of technical modification reserved.

there ...

any technical problem or other question you need clarified?

ase contact:

one of our IT Service Shops
your sales partner
your sales office

addresses of our IT Service Shops
be found in the guarantee coupon
sheet.

the latest information on our products,
updates, etc., can be found on the
internet under:

<http://www.siemensnixdorf.com/pc>

... anything you want to tell us
about this manual?

Please send us your comments quoting
the order number of the manual.

Siemens Nixdorf Informationssysteme AG
User Documentation Department,
OEC BS2 OS ID4 Otto-Hahn-Ring 6
D-81730 München