

4 BLOCK DIAGRAM OF EUT

see fig 4.1 page 18

4.1 Block Diagram Description (see fig. 4.1)

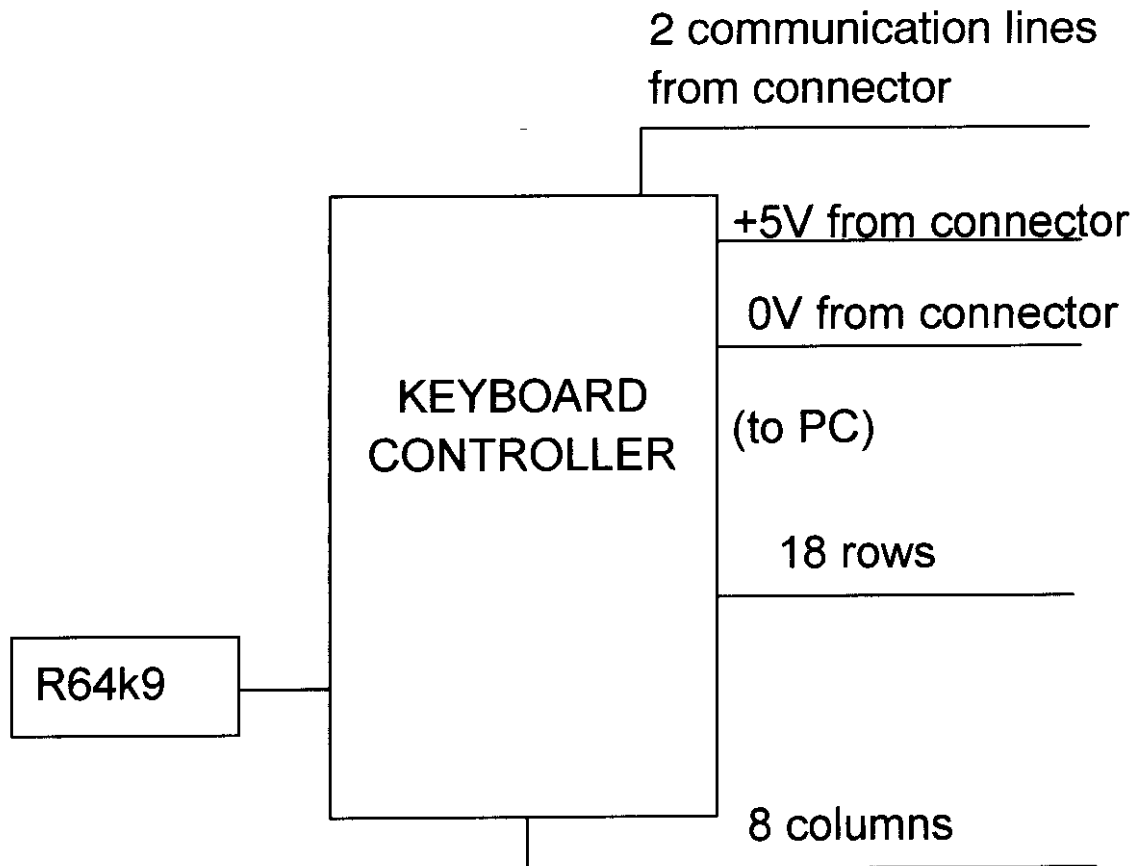
The major parts of the system are (fig 4.1).

- Keyboard Controller
- Key matrix

The diagram of the system board is shown in fig 4.2

The keyboard works exactly like a traditional keyboard.

Figure 4.1 Block Diagram of the EUT



Frequency: 2 MHz +/- 15%