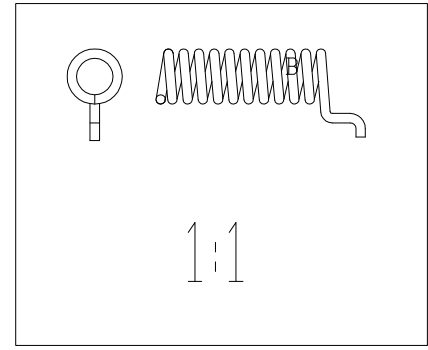
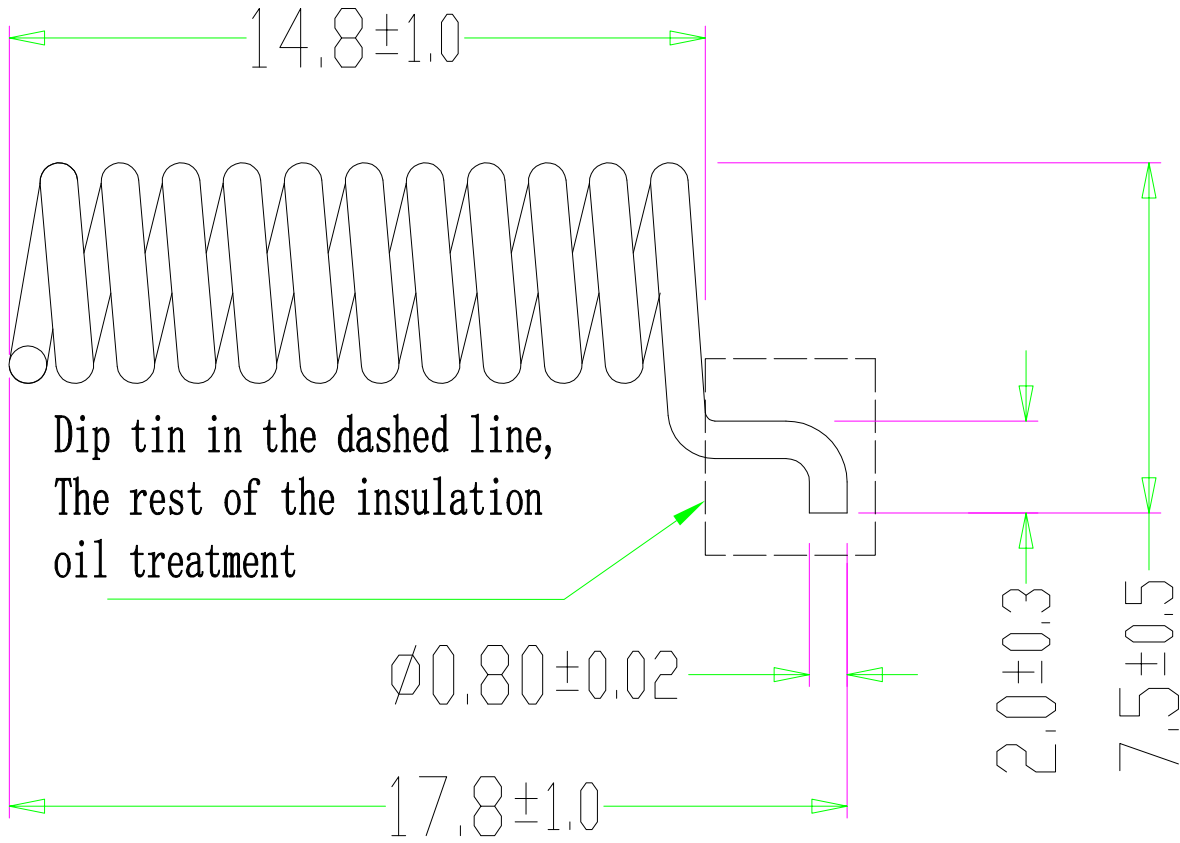
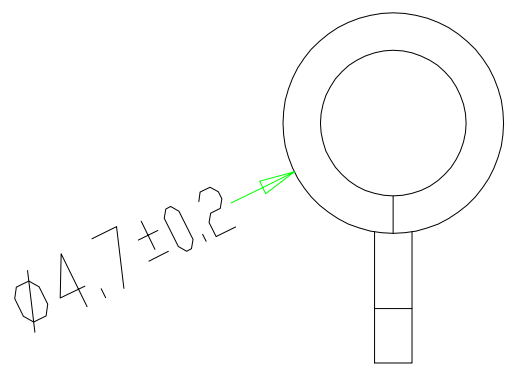



REV	ZONE	DESCRIPTION	DATE	DAWN



1. P/N. 32-D0270-001
2. Material: BRASS
3. Surface treatment: Dip the solder into tin
The rest of the insulation oil treatment
4. Wire diameter: $\phi 0.8\text{mm}$

UNLESS OTHERWISE SPECIFIED DIMENSIONS ARE IN MM. GENERAL TOLERANCE:			THIS DRAWING SHOWS ALL PRODUCT DIMENSIONS DO NOT SCALE DRAWING			 ANSEN ELECTRONICS COMPANY 安森电子有限公司		
0-50	± 0.05	ANGULAR	FINISH:			TITLE: SPRING COIL		
50-200	± 0.10	$\pm 0.5^\circ$	DRAWN LYG			DATE 20160125		
200~	± 0.20		CHECKED			DATE		
APPROVED			DATE			MATERIAL:		
			QUANTITY/UNIT: 1/1			SIZE A3		
			DATE			MODEL NO. D027-8		
			DATE			DWG NO. M-D027-8-M09		
			DATE			SCALE 1:1		
			DATE			SHEET 1 OF 1		

A

B

C

A

C