

LABEL INFORMATION

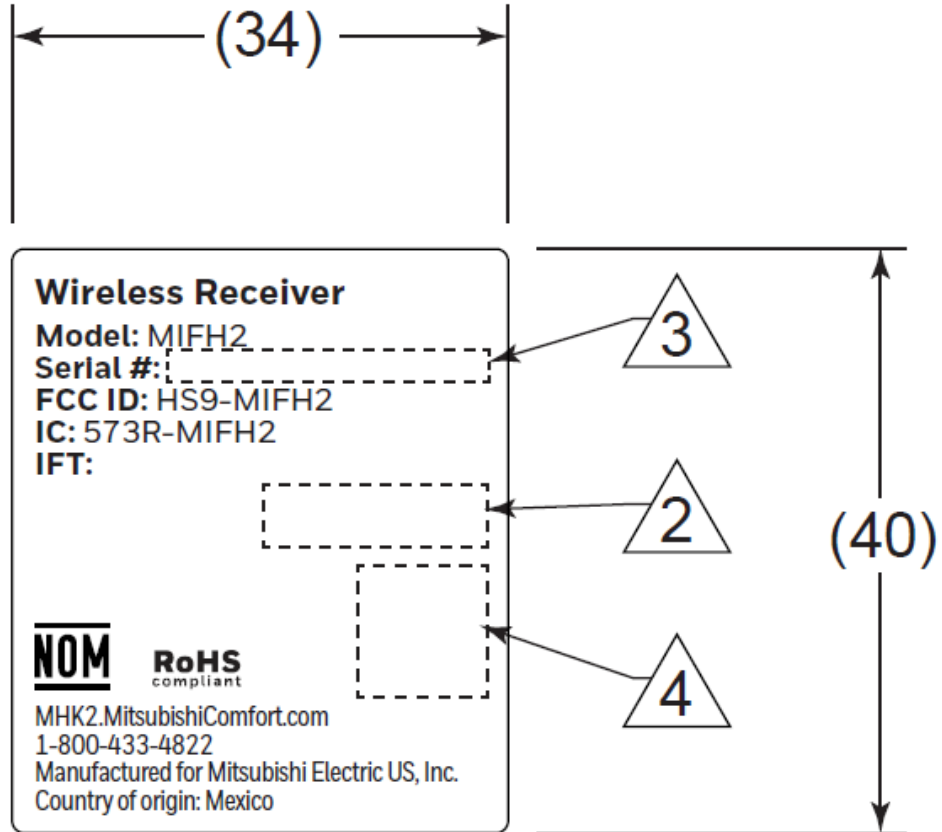
EXACT LOCATION OF THE LABEL:

Label is located on the rear of the device in the location shown:



FCC/IC ID's Location

LABEL



- △ PRINT DATE CODE IN THIS AREA, YYWW FORMAT WHERE YY IS 2-DIGIT YEAR AND WW IS 2-DIGIT WEEK. WEEK 01 CONTAINS THE FIRST THURSDAY OF THE YEAR.
- △ PRINT SERIAL NUMBER IN THIS AREA, YYWWLBLEXXXXX, WHERE:
 - YYWW IS DATE CODE (PER NOTE 2)
 - LB IS MANUFACTURING CODE
 - L IS PRODUCTION LINE (L-LANCER)
 - XXXXX IS SEQUENTIAL SERIAL NUMBER FROM 000001 TO 999999
- △ PRINT 6 MM X 6 MM ECC-200 DATA MATRIX CODE, ENCODING THE SERIAL NUMBER OF DEVICE AND THE O.S. NUMBER (MRCH2). MUST MAINTAIN A LEVEL "C" (43%) OR HIGHER CONTRAST READING IN SCANNERS FOR DOT MATRIX CODE. CELL SIZE 0.33 MM MINIMUM TO BE READABLE BY SCANNERS FOR DOT MATRIX CODE.