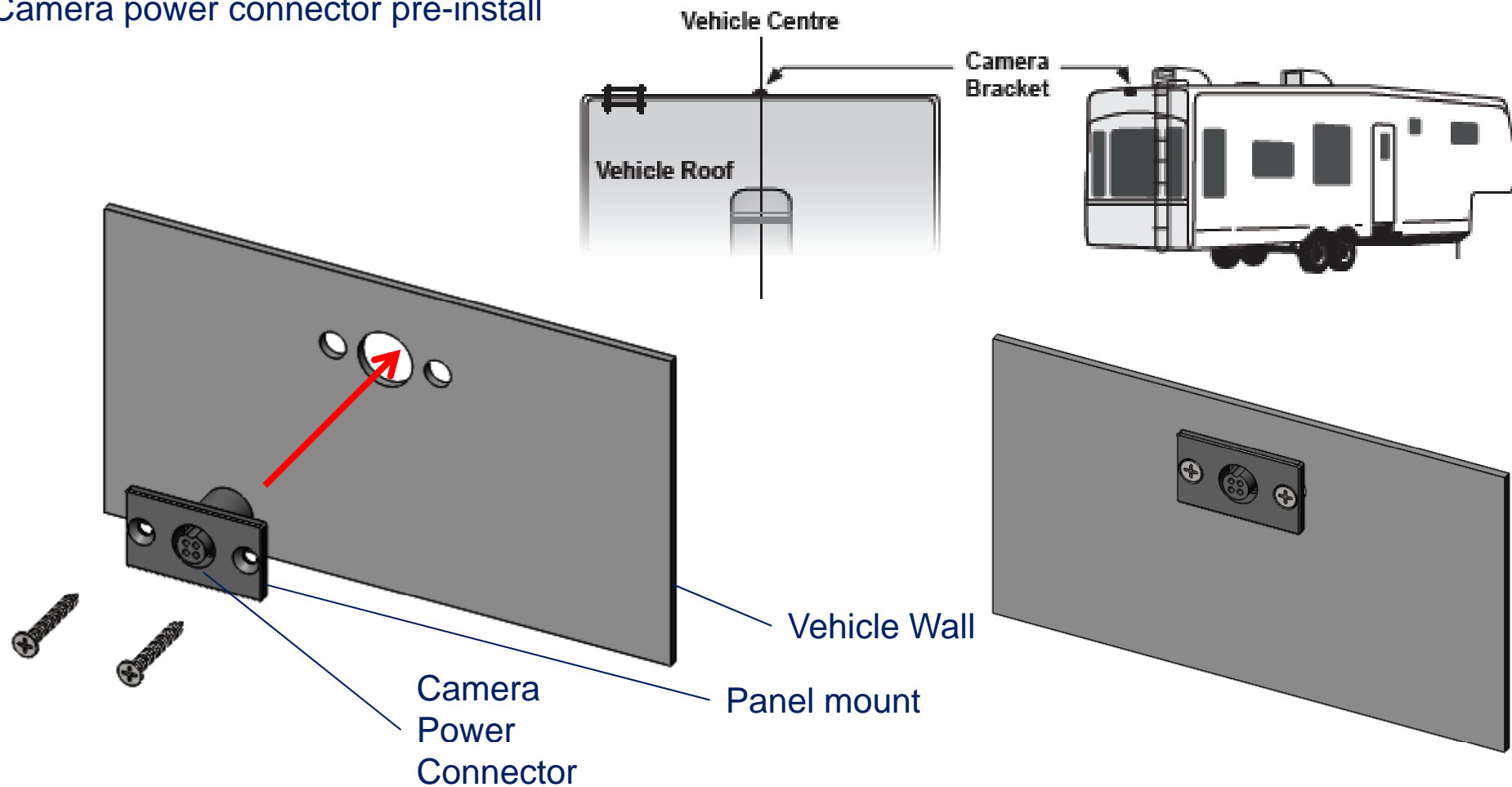


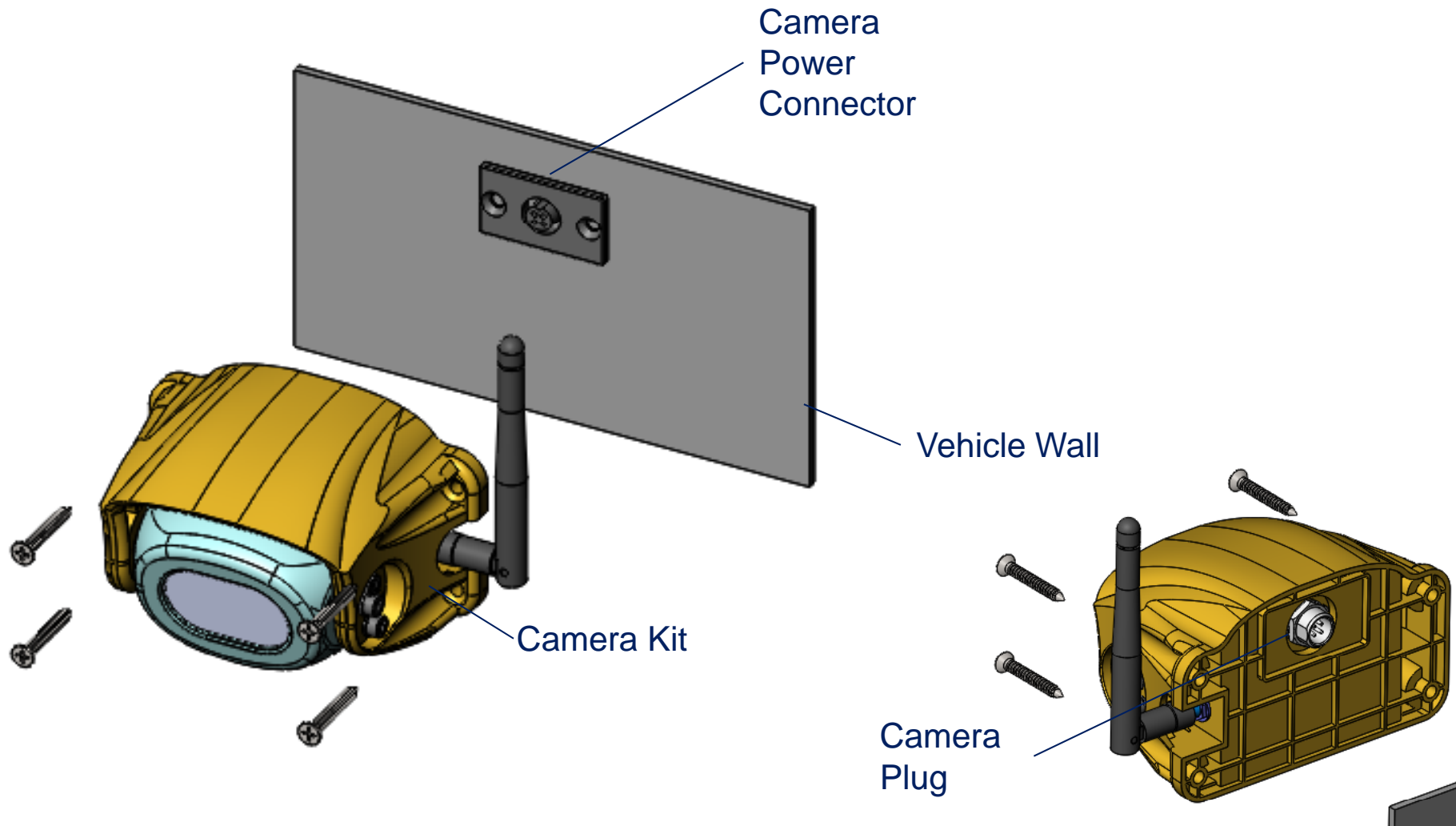
WVH100 Installation Guide

Camera power connector pre-install



1. Camera power connector goes into the vehicle wall.
 2. Fix the panel mount to the rear of vehicle wall.
- *The camera power connector only for WVH100 used*

Camera installation



Camera installation

