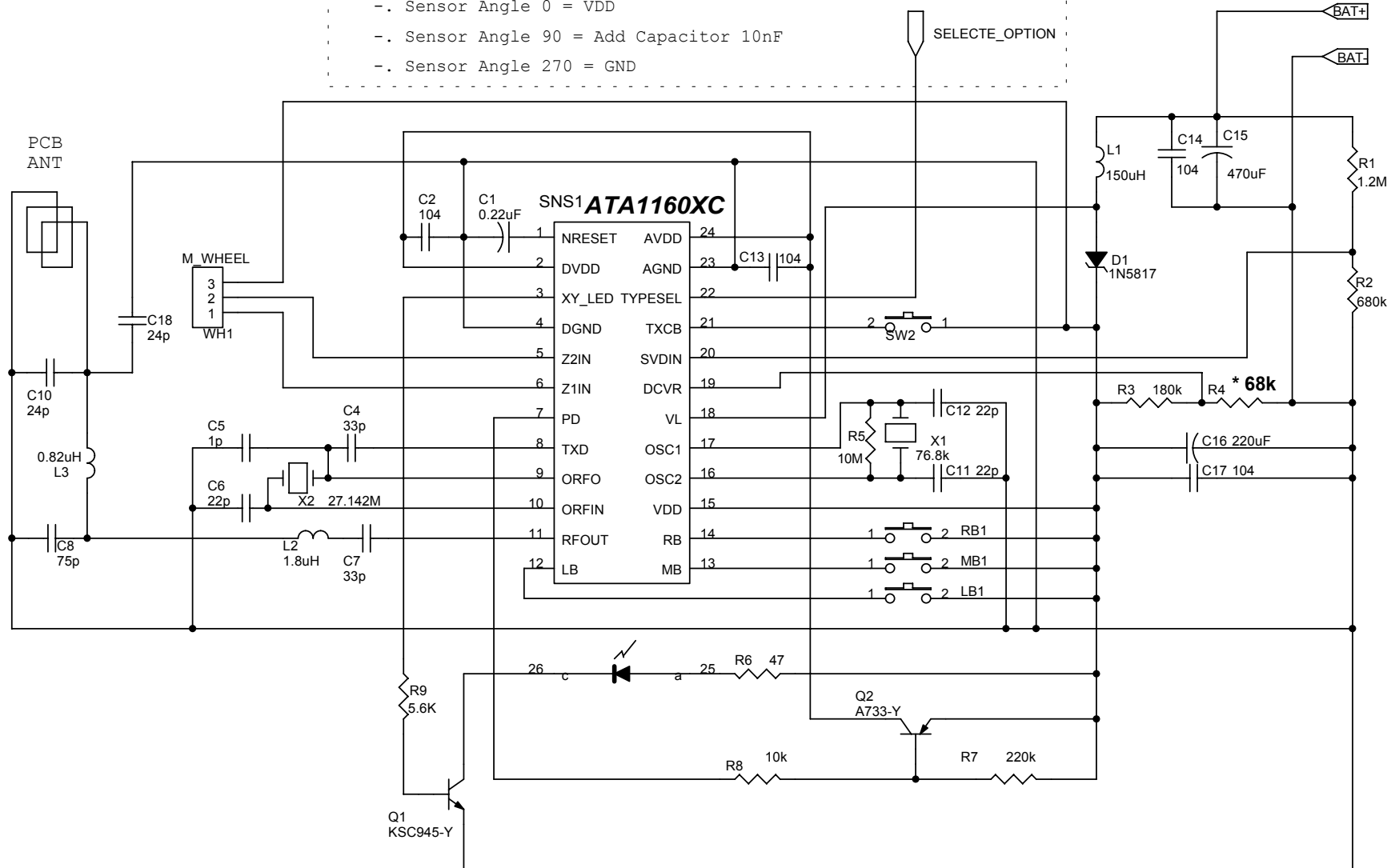


SAXM105A1 Mouse Transmitter

- *. Note : Sensor degree selection (PIN NO=22)
- . Sensor Angle 0 = VDD
 - . Sensor Angle 90 = Add Capacitor 10nF
 - . Sensor Angle 270 = GND

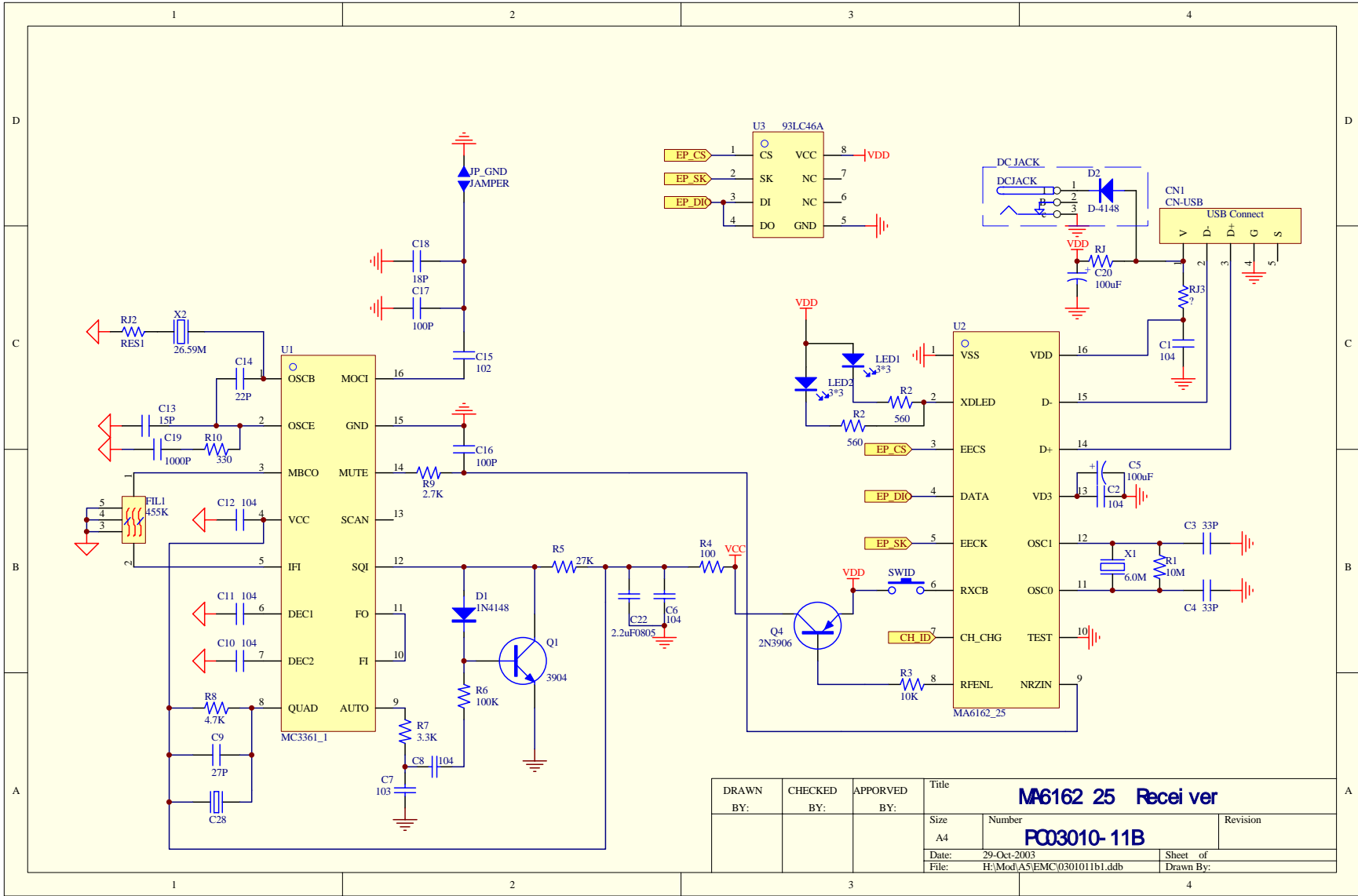


*. Note

68k-->Variable Resistor (VDD Voltage 3.7V)

Title		
ATA1180XC + MA6223_Q17K MOUSE angle option		
Size	Document Number	Rev
A4		00
Date:	Monday, March 15, 2004	Sheet 1 of 1

SAXM105A1 Mouse Receiver



DRAWN BY:	CHECKED BY:	APPROVED BY:	Title		
			MA6162_25 Receiver		
			Size	Number	Revision
			PC03010-11B		
			Date: 29-Oct-2003	Sheet of	
			File: H:\Mod\A5\EMC\0301011b1.ddb	Drawn By:	