

LTD-1021 User Manual

FM Modulator (FTR-CBX1021) Included

LTD-1021 User Manual

Safety Instructions

1. Please read these safety instructions carefully.
2. Please keep this User's Manual for later reference.
3. All precautions and warnings on the equipment should be carefully noted.
4. Please disconnect the LTD-1021 from the AC outlet before cleaning.

Do not use sprays, liquids or cleaning detergents for cleaning the LTD-1021.

5. Never pour liquids into any openings or directly on the LTD-1021. This could result in fire or electrical shock.
6. Ensure the voltage range of the power outlet is between 100V and 240V before connecting the LTD-1021. Exceeding the maximum rated voltage may cause damage to the AC adapter or to the LTD-1021. This could result in fire or electrical shock.
7. When the AC adapter is plugged into an electrical outlet, place the power cord so it will not be stepped or walked on. Do not place objects over or on the power cord.
8. If the LTD-1021 is not used for a long time, disconnect the AC power supply to avoid damage by transient over voltage.
9. Use the supplied bag and Stand when using the LTD-1021 to avoid damage or breakage caused by dropping the unit.
10. Use the LTD-1021 in a clean, dry, temperature controlled environment. Do not use the LTD-1021 in areas of high humidity, around water or outdoors while it is raining.
11. Never open or disassemble the LTD-1021. For safety reasons, this equipment should be repaired only by qualified servicing personnel.
12. Seek qualified service personnel if any of the following issues should arise:
 - The AC adapter, power cord or plug is damaged
 - Liquid has been spilled into the LTD-1021

- The LTD-1021 has been exposed to excessive moisture
- The LTD-1021 exhibits errors and or does not function according to specification
- The LTD-1021 has been dropped or otherwise mechanically damaged

DO NOT LEAVE THIS EQUIPMENT IN A NON-TEMPERATURE CONTROLLED ENVIRONMENT. STORAGE TEMPERATURES BELOW -4°C (20°F) OR ABOVE 60°C (140°F) MAY DAMAGE THE UNIT.

Safety Notices



To comply with Canadian and U.S. laws, the following safety information is provided in English and French.

Caution: To reduce the risk of an electric shock, which could cause personal injury, follow all safety notices. The symbols shown are used in your documentation and on your equipment to indicate safety hazards.

Attention: Afin de prévenir les risques d'électrocution, respectez toutes les consignes de sécurité. Les symboles figurant dans la documentation et sur l'appareil indiquent les points dangereux.

IT System Connectors: This equipment has not been designed for connection to all IT power systems; if a modification is required contact your dealer or local electrical authority.

Connecteurs système IT Cet appareil n'a pas été conçu pour être connecté à tous les systèmes d'alimentation IT et si vous avez besoin d'y apporter une modification, adressez-vous à votre revendeur ou à un électricien.



Safety Notices for the power cord

This equipment has a 2 or 3-wire power cord. Replace the power cord if it becomes damaged. Contact your dealer for an exact replacement.

In the U.S.A. and Canada, the power cord must be a UL-listed detachable power cord (in Canada, CSA-certified). For 2-wire it is SPT-2 18AWG, for 3-wire cord it is SVT or SJT, 18 AWG, 3-conductor, provided with a molded-on NEMA type (1-15 2-wire) (5-15 3-wire) P plug cap at one end and a molded-on cord connector body at the other end. The cord length must not exceed 3 meters.

Outside the U.S.A. and Canada, the plug must be rated for 250 VAC, 2.5 Amp minimum, and must display an international agency approval marking. The cord must be suitable for use in the end-user country. Consult your dealer or the local electrical authorities if you are unsure of the type of power cord to use in your country. Changes of Voltage occur automatically in the power supply.

Consignes de sécurité

Cet équipement possède un cordon d'alimentation à deux/trois fils. Si le cordon d'alimentation venait à être abîmé, avant de le remplacer, consultez votre revendeur.

Aux Etats-Unis et au Canada, le cordon d'alimentation doit être détachable, homologué UL (Certifié CSA pour le Canada), de type SPT-2, 18 AWG, à 2 fils (trois fils avec SVT, SJT, 18 AWG) fourni avec prise surmoulée NEMA de type 1-15P (5-15P trois fils) à une extrémité et un cordon de raccordement surmoulé à la masse à l'autre extrémité. La longueur du cordon ne doit pas dépasser 3 mètres.

Hors des Etats-Unis et du Canada, la prise doit être conforme pour 250 V, 2.5 A minimum; la marque d'homologation d'un organisme international doit également figurer sur la prise. Le cordon d'alimentation doit être conforme aux normes du pays de l'utilisateur final. Si vous ne savez pas quel type de cordon utiliser, adressez-vous à votre revendeur ou à un électricien. Le changement de voltage survient automatiquement dans l'alimentation.



Warning: Under no circumstances should the user attempt to disassemble the power supply. The power supply has no user-replaceable parts. Inside the power supply are hazardous voltages that can cause serious personal injury. A defective power supply must be returned to your dealer.

Attention: Ne tentez jamais de démonter le bloc d'alimentation. Vous n'êtes pas qualifié pour en remplacer les éléments, et vous risqueriez de vous électrocuter en touchant l'une de ses zones à haute tension. S'il est défectueux, vous devrez le rapporter chez votre revendeur.

Safety Notices for Users outside the U.S.A. and Canada

PELV (Protected Extra-Low Voltage) Integrity – For ensuring the extra-low voltage integrity of the equipment, connect only equipment with mains-protected electrically compatible circuits to the external ports.

Remote Earths - To prevent electrical shock, connect all local (individual office) computers and computer support equipment to the same electrical circuit of the building wiring. If you are unsure, check the building wiring to avoid remote earth conditions.

Earth Bonding - For safe operation, only connect the equipment to a building supply that is in accordance with current wiring regulations in your country. In the U.K., those regulations are the IEE.

Laser Compliance Statement for DVD drives



The DVD drive for this unit contains a laser. The classification label of the drive is located on the bottom of the drive. Below is a sample of the classification label:

CLASS 1 LASER PRODUCT

LASER KLASSE 1

LUOKAN 1 LASERLAITE

APPAREIL A LASER DE CLASSE 1

KLASS 1 LASER APPARAT

The drive is certified in the USA to comply with the requirements of the Department of Health and Human Services 21 Code of Federal Regulations (DHHS 21 CFR) Subchapter J. for Class 1 laser products.

In other countries the drive is certified to comply with the requirements of EN60825.

Caution:

Do not open the drive. There are no user-serviceable parts or components inside. Use of controls, adjustments and operation of procedures other than those specified, may result in hazardous exposure to radiation. Class I (1) laser products are not considered hazardous. The drive has an internal Class I (1), 0.5-milliwatt, aluminum gallium-arsenide laser that operates at a wavelength of 760 to 810 nanometers. The design of the laser system and the drive ensures that there is no exposure to laser radiation above a Class I (1) level during normal operation, user maintenance or servicing conditions.

NOTICE OF EMC COMPLIANCE

This equipment has been tested and found to comply with the limits for a class B digital device, pursuant to part 15 of the FCC Rules. These limitations are designed to provide reasonable protection against harmful interference in a residential installation. This equipment generates, uses and can radiate radio frequency energy and, if not installed and used in accordance with the instructions, may cause harmful interference to radio communications. However, there is no guarantee that interference will not occur in a particular installation. If this equipment does cause harmful interference to radio or television reception, which can be determined by turning the equipment off and on, the user is encouraged to try to correct the interference by one or more of the following measures:

- Reorient or relocate the receiving antenna.
- Increase the separation between the equipment and receiver.
- Connect the equipment into an outlet on a circuit different from that to which the receiver is connected.
- Consult your dealer or a Radio/TV technician for help.

Use only shielded I/O cables to connect I/O devices to this equipment.

You are cautioned that changes or modifications not expressly approved by the party responsible for compliance could void your authority to use the equipment.

Canadian EMI Compliance Statement

This Class B digital apparatus meets all requirements of the Canadian Interference-Causing Equipment Regulations.

Avis de conformité aux normes du EMI du Canada

Cet appareil numérique de la classe B respecte toutes les exigences du Règlement sur le matériel brouilleur du Canada.

Contents

Chapter 1 Introduction 1-1

1.1 Unpacking.....	1-1
1.2 Overview	1-1
1.3 Setting up	1-1
1.4 AC-adapter.....	1-1
1.5 Remote Control	1-1
1.6 Operating environment.....	1-1

Chapter 2 Before you begin 2-1

2.1 Video Source	2-1
2.2 Menus	2-1
2.3 Default Conditions.....	2-2
2.4 Picture adjustment	2-2
2.5 FM transmitter.....	2-3
2.6 Wireless Audio.....	2-3
2.7 Carry bag installation.....	2-3

Chapter 3 TV mode 3-1

3.1 Antenna setup.....	3-1
3.2 Fine tuning of certain TV stations	3-1
3.3 TV Navigation	3-2
3.4 Parental control	3-2

Chapter 4 DVD mode 4-1

4.1 DVD control locations	4-1
4.2 Basic operation	4-1
4.3 Audio.....	4-2
4.4 Subtitles	4-2
4.5 Changing camera angle.....	4-3

Chapter 5 Music mode 5-1

5.1 MP3 selecting songs	5-1
5.2 Random songs	5-1
5.3 Other functions.....	5-2

Chapter 6 Photo viewing mode 6-1

6.1 Basic Navigation.....	6-1
---------------------------	-----

6.2 Special Navigation 6-1
6.3 Slide show effects..... 6-2
6.4 Zoom pictures 6-2

Appendix A to E A-1

A Specifications..... A-1
B Wall mounting B-1
C Trouble shooting C-1
D Maintenance D-1
E Returning your LTD-1021 E-1

Chapter 1 Introduction

Thank you for purchasing the LTD-1021. We are confident it will provide you with functionality and ease of use at home or on the road.

1.1 Unpacking



(2)



(3)



(4)



(5)



(6)



(7)

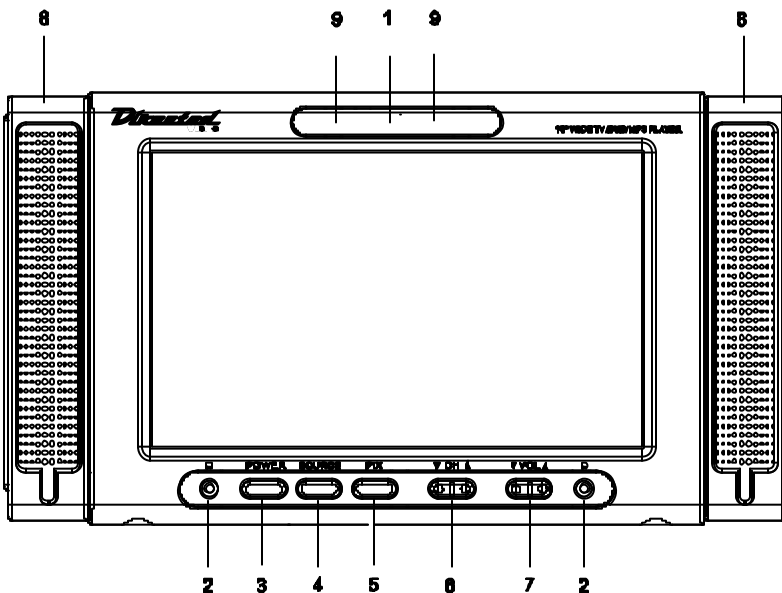
- (1) IR-Wireless Audio Headset *2
- (2) Speaker (Right/Left) *2
- (3) Remote Controller
- (4) Carry Bag
- (5) AV Cord
- (6) Car Cord (Plug Adaptor)
- (7) AC-DC Adaptor+ Power Cord
- (8) Packing Box
- (9) User Manual

Please make sure that you have all the above items; if not, contact the dealer where you bought your LTD-1021.

If you need to send your LTD-1021 for service or upgrade it is strongly recommended to use the original packing box and materials.

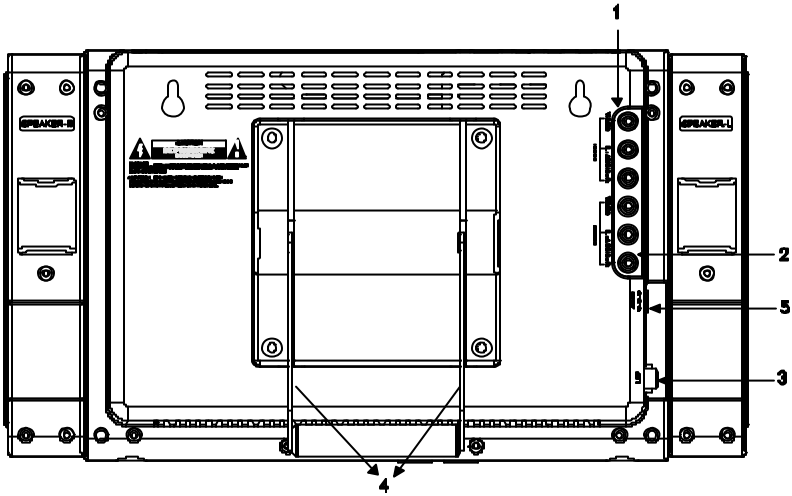
1.2 Overview

1.2.1 Front View



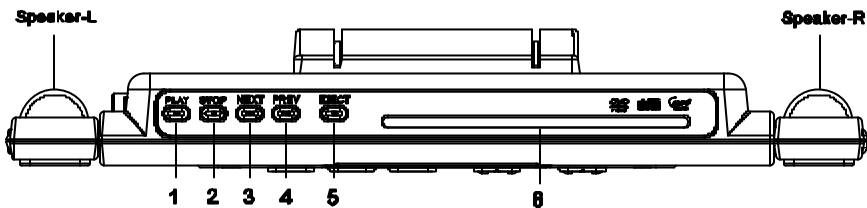
- ① IR Receiver Infrared receiver for remote controller
- ② Headset Plug external headset here
- ③ POWER Power on and off the unit
- ④ SOURCE Toggle TV/DVD/CATV/AV1/AV2...
- ⑤ PIX See [Chapter 2.xxx](#) for more information
- ⑥ CH Change TV channel
- ⑦ VOL Increase or Decrease the volume level
- ⑧ Speaker Right/Left Channel Speaker
- ⑨ IR transmitter Two Channels for Wireless Audio (2.3MHz, 2.8MHz)

1.2.1 Read View



- ① AV INPUT Connect external devices here, like: VCR, PS2, Xbox, Game-Cube, Video Camera, Blue-Ray, LD etc...
- ② AV OUTPUT Connect to external recording or visual devices here, like: DVD-recorder, VCR, TV, or Projector.
- ③ ANT Attach your antenna or cable here
- ④ Stand The mobile stand can tilt in various angles, or be removed for mounting the unit on the wall.
See [Appendix B](#) for more Information.
- ⑤ Power Jack 12VDC-power jack where the DC-power plug from the AC adaptor connects.

1.2.3 Top View

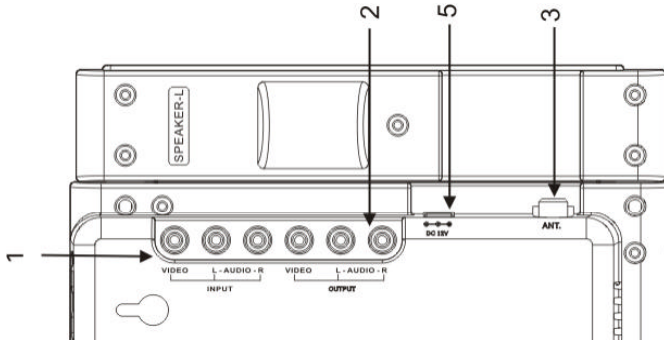


- ① Play/Pause ② Stop playing ③ Next chapter
- ④ Previous chapter ⑤ Eject disc ⑥ DVD/CD disc slot



- ① FM antenna (see chapter 2.5)

1.3 Setting up



To set up the LTD-1021 together with a VCR (for recording TV programs) connect these cables:

1. Connect TV cable to the Antenna jack at ③
2. Connect the 3pcs AV cables from the VCR AV-IN to LTD-1021 AV-OUT②.
3. Connect the 3pcs AV cables from the VCR AV-OUT to LTD-1021 AV-IN at ① or to an external TV, projector or other display device.
4. To record, set the VCR source to AV mode (see VCR manual), and then you will be able to record TV programs from the LTD-1021.

If your VCR doesn't have AV-in or out but a round S-Video connector, you need to buy an S-Video to AV adaptor and connect it accordingly.

Notes: DVD movies are Macrovision-protected and will not be able to be recorded onto VCR tapes or to DVD recorders.
--

1.4 AC-adapter

The supplied AC adapter is a universal adapter and can accept input voltages from 100V to 240V. The universal AC adapter will allow you to charge and/or operate your LTD-1021 anywhere in the world. However, the supplied power cord is region specific. You may need to purchase plug adapter in order to plug in the power cord in other countries.

Notes: Use only the supplied AC adapter with your LTD-1021. The AC adapter will accept line voltages from 100V - 240V. You may purchase additional power cords for other countries from your dealer; electrical outlet adapters may be purchased from electronics stores.

Caution: This unit is to be used with LEI model NU40-2120330-I3

Attention: Pour utiliser avec LEI modèle NU40-2120330-I3

1.5 Remote Control



Most functions are self-explanatory or will be described in related chapters in this manual.

To change between TV/DVD modes, first power on the unit by pressing the big red power button at the upper-left corner of remote controller, then click on one of two mode keys (TV, DVD). Some keys will not function in certain modes, like changing TV channel will not work in DVD mode and DVD play button will not work in TV mode. If you are in DVD mode and the Play button doesn't work, click the DVD button one more time.

Notes: First install two AAA batteries in the battery compartment.

1.6 Operating environment

Care should be taken while traveling with or using the LTD-1021 system. When selecting a suitable location, select the location on these points:

- Good ventilation
- Temperature controlled, best is room temperature
- Avoid extreme heat or cold
- Avoid dust and dirt
- Avoid fluids
- Avoid electromagnetic and RF interferences
- Good and stable power to avoid power surges
- Overheating (don' t cover ventilation holes)
- Position cables correctly to avoid audio interference
- Place the unit far from edges, bookshelves, etc where the unit might easily fall down
- Avoid direct sunlight, which might damage the LCD screen

Warning: Do not expose the LTD-1021 to extreme temperatures. Do not leave the LTD-1021 in a car. Do not drop, or spill fluids on the LTD-1021, and do not open the case. Failure to observe these warnings may void your warranty.

The LTD-1021's Liquid Crystal Display (LCD) may be damaged by exposure to intense sunlight, which builds up excessive heat inside the display enclosure. Only exposure to indirect or subdued sunlight is recommended.

Chapter 2 Before you begin

Plug in the power cable to the AC-adapter and the AC-cord into the LTD-1021. Then you may turn on the power either on the unit itself or via the remote control. See chapter 1 for locations of buttons and location of connectors if in doubt.

2.1 Video Source

There are THREE buttons on the remote control to select the Source, these are: TV / DVD / AV1 (AV2 is not used on the LTD-1021).

Select one of these modes either via the Remote control or by clicking the Source button on the unit, if you click on the unit you may need to click up to two times to go to the correct source.

If you want to watch a VHS movie or connect to your Video Camera, select the AV1. Connect your respective device to the Video-In ports.

2.2 Menus

There are two different menu systems in the LTD-1021, one for TV and one for DVD.

The TV menu can be selected by clicking the Menu button on the remote control while in TV mode. Under DVD mode the Menu button will call up the DVD menu.

To select a submenu click the 'Enter' button, to return to previous menu, click the 'Return' button. To leave the Menu program, click 'Return' button on the top menu.

<p>Notice: First time you use the LTD-1021 it is preferable to go to the TV menu, select 'Initial' and select your preferred 'Language'.</p>

2.3 Default Conditions

The default settings should be suitable for most people, but if you would like to adjust Brightness, Contrast, Color, Sharpness, Color temperature or fine tune TV channels it's possible to do so:

1. Turn on the LTD-1021
2. Click the TV button on the remote control
3. Click the Menu (≡) button on the remote control
4. Click the Down (▼) arrow to select 'PICTURE' and press 'ENTER'
5. You may now select one of the several picture enhancing modes by moving up and down, click the 'ENTER' button to select.
6. Once you select an option and finish adjusting it, click the 'RETURN' (←) button to return to previous menu, click once again to leave the Menu or wait a few seconds.

To restore default settings go to the 'Picture' submenu (once you are in TV mode and click the Menu button), select the 'Reset' option to set the LTD-1021 to factory default settings.

2.4 Picture adjustment

The default settings in Chapter 2.3 can easily be changed to fit your individual need. Below these modes are described:

- | | |
|------------|---|
| Brightness | Make the picture brighter or dimmer, default is 100. |
| Contrast | A higher contrast makes the distinctions between different colors even greater (will result in picture degrading), a lower contrast makes all color become quite similar and also degrade the picture. The default is 50. |
| Color | A lower number reduced the amount of color (almost black and white), while a higher number makes the colors very bright, default value is 50. |
| Tint | Low number makes the picture reddish; High number makes the picture greenish, default is 50. |
| Sharpness | Adjust the sharpness, default is 50. |

- Color temp.** You may select three kinds of color temperatures, Cool, Normal and Warm. Choose the one that pleases you, default in Normal.
- Fine Tuning** If the default TV channel is not perfect, you may fine tune the setting here. Note that it will only fine tune the channel you are currently watching.
- Reset** Resets all the above settings to default values (including volume). However V-chip password and it's setting are not reset. See Chapter 2.5 for information about V chip.

2.5 FM transmitter

LTD-1021 has got a built-in FM transmitter, so the LTD-1021 can broadcast your current audio signal to a stereo radio-equipment nearby. The LTD-1021 can be used in the car and want everyone in the car to listen to the movie or music track you are playing. Under TV mode, click the Menu button and select ' FM transmitter' , and choose one of the five different frequencies. Once you select a frequency the internal and external audio sources are cut off, audio can now only be listened over a radio. FM transmitter emission frequency: 88.1 MHz; 88.3 MHz; 88.5 MHz; 88.7 MHz; 88.9 MHz

Note:	All audio sources will be transmitted, TV, DVD, CD, MP3 or external video sources. To disable this you may press the remote control or enter the menu as shown above and select ' Disable' .
--------------	--

2.6 Wireless Audio

Wireless Audio is always enabled on the LTD-1021. It can use any standard IR wireless headset that receives Audio on the 2.3MHz and 2.8MHz channels. Distance is about 6m.

2.7 Carry bag installation

The LTD-1021 comes with a special carry bag that allows the unit to be fixed on the headrest pillow and used very conveniently in a car.

Please see the installation pictures below on how to install it easily:

2.7.1 Spider-Hanging Installation

2.7.1 Head-Rest Pillow Installation:



Chapter 3 TV mode

Once you have completed the setup procedures stated in Chapter 2 you are now ready to start to watch TV on the LTD-1021 for the first time.

3.1 Antenna setup

There are two ways to receive TV on the LTD-1021, once is via a TV-antenna, the other is via a TV-cable. You need to select your preference first before you can watch TV. Here is how to do that:

1. Turn on the LTD-1021
2. Click the TV button on the remote control
3. Click the Menu (☰) button on the remote control
4. Click the Down arrow to select 'INITIAL' and press 'ENTER'
5. Select 'Auto Program', press 'ENTER'
6. Select 'Channel Mode', press 'ENTER'
7. Now you may choose 'CATV' or 'AIR'. By pressing the 'UP' or 'DOWN' (▲▼) buttons, select your choice by pressing the 'RETURN' key (↵)
8. You will now be back to the 'Auto Program' menu, now select the 'Auto Scan' and press 'ENTER'
9. The LTD-1021 will scan through all your CATV or Air channels and program them automatically.

Notice:	Note that if you move the LTD-1021 from one location to another, you may need to re-scan the TV channels since TV and cable providers offer different signals in different areas.
----------------	---

3.2 Fine tuning of certain TV stations

Some times you may want to fine tune a channel to adjust it's setting, you may do this by reading and following the instructions in Chapter 2.4.

3.3 TV Navigation

You may navigate the various TV stations in your area by pressing the Channel Up/Down buttons, or enter the number by pressing the numeric keys.

If you don't have the remote control, you may also click the buttons on top of the LTD-1021 to select the channel accordingly.

3.4 Parental control

It is possible to child lock the LTD-1021 to avoid young children to watch violent or sexual TV programs.

Under TV mode, click the 'Menu' button on your remote control and select 'Initial', then select 'V chip'. It will ask you for a password (default password is '1234', we recommend you to change this. Once you keyed in the password and clicked 'Enter' you can select the 'V chip' settings for either 'TV ratings' or 'Movie ratings'.

Notice: Parental control is only working in USA, if in doubt check with your local TV provider.

It will not stop children from watching DVD or VCD movies with sexual content, only TV stations that support the feature.

Chapter 4 DVD mode

The DVD player in LTD-1021 can't only play DVD movies, but it can play VCD movies also. Playing either kind of movie you can easily skip chapter, freeze frames, and play at faster or slower speed. Below some of the standard and some special features are highlighted. Note that depending on the movie you are watching some features that might not be available.

Note:	Several DVD movies are locked for certain regions, and they are region coded. There are six regions worldwide and you can only watch DVD movies that are region free or from the same region as your LTD-1021 (see label on rear).
--------------	--

4.1 DVD control locations

The LTD-1021 has got two locations for DVD controls. One is on top of the unit, and the other is the remote control. The functions on top of the unit are very simple, which provide basic operation only, while the remote control has complete control. If you loose the remote control you' ll still be able to watch movies.

4.2 Basic operation

To play a DVD movie for the first time, simply put it into the slot (label facing forward), the DVD will automatically load. Note that you need to select the source to DVD mode (either by clicking the source button on the unit or clicking the DVD button on the remote control).

Depending on the movie it will either start playing immediately or it will give you a DVD menu, where you may select subtitles, language versions, special features or deleted scenes. To navigate this menu use the navigation keys (▲ ◀ ▶ ▼), to select a menu click the ' ENTER ' button, which is located in the center of the navigation area. You may go back to this menu at any time by clicking the ' MENU ' (⏮) button.

Once you are watching a movie you may choose to Pause (⏸) it (you will see a frozen picture, while Stop (■) will show you our DVD screen. You may play the movie faster forward (⏩) or rewind (⏪) it in 2x/4x/8x/16x and 32x speeds, do this by clicking the forward or rewind buttons.

To move even faster than fast forward/rewind you may skip entire chapters, you can do this by clicking the Next (⏭)/ Previous (⏮) Chapter buttons.

Another nice feature is the ability to repeat a certain sequence, do this by pressing the 'A-B' button once for the start of the sequence and once for the end of the sequence, it will repeat this sequence until you press 'A-B' button again.

The 'REPEAT' button is very different from the 'A-B' button, by selecting the 'REPEAT' button once you can select to repeat the chapter, another click will select to repeat the title and a third click will repeat all, a fourth click will deselect the repeat function.

To eject a DVD disc you may either press the 'EJECT' (⏏) button on the remote control or on top of the LTD-1021.

4.3 Audio

The 'AUDIO' button allows you to listen to the various soundtracks that are recorded on the DVD. This feature depends on the DVD, but some DVD movies might have various languages, 2 channels or 5.1 channels or even director commentaries. A great way to learn new languages, or to understand how the movie was done! Pressing the 'AUDIO' buttons toggles the different audio modes.

4.4 Subtitles

Most DVD movies feature various languages as subtitles, you may click the 'SUBTITLE' button several times to see the various choices or even to remove the subtitles altogether.

4.5 Changing camera angle

Very few movies provide several angles; Movies of scenery or sexual content might do this though. While watching such a movie, press the 'ANGLE' button to select different camera angles.

Chapter 5 Music mode

Your LTD-1021 is an excellent music center, and you may either listen to Audio CDs or MP3 CDs that you have compiled yourself. If you make your own CD we recommend you to put the songs in directories, it's easier to navigate.

You need to be under DVD mode to play music, press the DVD button on the remote control or the source button until "DVD" is displayed.

5.1 MP3 selecting songs

Simply insert an audio CD or a CD-R/RW or DVD-R/RW disc with MP3 music on it. You will now see a blue menu with either songs or directories on the left side. Navigate up and down with the Down (▼) or Up (▲) buttons, once you find the song or directory you want to go to press the 'Enter' button, if it was a directory you will now see a sub directory, select the song and press 'Enter'.

Once you are playing a song you may play the song fast forward (▶▶) or rewind (◀◀), up to 32x speed to quickly find the portion of the song you like (this is most useful for language CDs where each lesson may be very long).

Once the song you play is finished it will automatically play the next song, unless you have pressed the 'Repeat' button and selected either 'Single' (plays the song only once then stops), 'Folder' (plays until the last song in the folder, then stops). 'Repeat Folder' repeats the same folder over and over again, 'Repeat One' repeats the same song over and over again.

5.2 Random songs

You may also want to play random songs in a folder, press the 'Random' button and select 'Shuffle', to disable the shuffle mode press 'Random' to display 'Folder' and the next song will be played.

It's also possible to play random songs over the entire disc, even though you have several directories. Press the 'Program' button, now all the directories

will disappear and you will get a list of all the songs on the disc. Pressing the 'Random' button will play any song randomly selected from the entire collection.

5.3 Other functions

You may also want to repeat a small portion over and over again from a song. You may do this by pressing the (A-B) button, press once for the start of the segment and once for the end of the segment. This segment will play endlessly until you press the (A-B) button again.

Pressing the 'Audio' button allows you to change the sound effect, from Concert, Living Room, Hall, Bathroom, Cave, Arena, Church and off.

Chapter 6 Photo viewing mode

Another great feature of the LTD-1021 is it's ability to browse digital images of CD or DVD discs. You may create these discs by yourself at home on your computer and later watch them on the LTD-1021.

You need to be under DVD mode to display photos, press the DVD button on the remote control or the source button until DVD displays.

6.1 Basic Navigation

The easiest way to browse a disc with JPG images on them is to insert a disc with JPG images on it. A menu will appear with a thumbnail (smaller picture) to the right and a list of six images to the left.

You may press the Down (▼) or Up (▲) buttons to see a thumbnail of the next/previous picture. Once you find the picture you want to look at, press the 'Enter' button and it will be displayed in full size. To return to the thumbnail mode, press the (⏏) button.

To see a slide show, press the Play (▶) button, you may also see next / previous picture by pressing the Next (▶▶)/ Previous (◀◀) buttons.

Once a picture is displayed, you may rotate it by pressing the navigation buttons (▲ ◀ ▶ ▼).

You may press the Stop (■) button to see an overview of 12 thumbnails, you may move freely between these pictures with the navigation keys, or press the 'Slide show', 'Menu' or 'Prev' / 'Next'.

6.2 Special Navigation

The 'Random' button allows you to select either to shuffle all pictures on the CD or shuffle only pictures within the current folder.

The 'Repeat' buttons allows you to show only a single picture, repeat one/all the pictures.

6.3 Slide show effects

To start a slideshow, press the Play (▶) button

It's possible to display some nice transition effects in the slide show, press the 'Display' button and you may choose from 15 different transitions!

6.4 Zoom pictures

It's also possible to zoom into the pictures to see details more clearly. Press the 'Zoom' button, and the default zoom is displayed, which is 100%. Now press the forward (▶▶) or rewind (◀◀) buttons, and the zoom will change to 125%, 150% and 200% or 75% and 50% respectively.

Appendix

A to E

A Specifications

ITEMS		SPECIFICATION
Display	Screen Size	10.2" TFT-LCD Panel
	Resolution	1024 x 768 (XGA)
	Display Area (openina) H x	304.128 mm x 228.096mm
	Pixel Pitch	0.297 mm x 0.297mm
	Display colors	16.2M colors (6 bit + FRC)
	Contrast Ratio	400 : 1 (typ.)
	Brightness	250 cd / m ² (typ.)
	Viewing Angle	Typical: 130° (H) / 100° (Ver)
	Response Time	Tr: 5ms + Tf: 11ms
TV Function	TV standard	NTSC/PAL
	TV Tuning System	PLL 181 CH
	Sound	Mono
	CATV	125 CH
Video Input	Composite Signal	CVBS
	Y/C Signal	S-Video
Audio Input	Audio I / P: L / R x 2	Audio 1 for CVBS
		Audio 2 for S-Video
Audio Output	Audio O / P : L / R x 2	Speaker: (Build-in) : 3 W + 3 W (rms)
		RCA(R, L)
Video	Video O/P x 1	RCA (CVBS)
User keys	TV function (7-KeV): POWER, PIX, ISOURCE, VOL+/-, CH+/-	
	DVD function (5-KeV): Play/Pause, Eject, Stop, FF, REW	
Power	Power Supply	AC 100V ~ 240V, 50 / 60Hz (AC adapter)
	Power Consumption	< 40 W
Dimensions	W x H x D	466mm x 292mm x 186mm.
Weight(net)	Kg (w/o accessories)	T.B.D.

B Wall mounting

It is possible to wall mount the LTD-1021, since it supports standard VESA mounting. The mounting holes are 100mm apart from each other in a square.

To mount the LTD-1021 you need to first remove the stand:

1. Remove the four screws for the stand
2. The rear of the LTD-1021 is now plain
3. Follow the instruction manual for the VESA mounting bracket you bought separately on how to install it
4. If you don't have a VESA mounting bracket it's also possible (but not recommended) to use the two holes on the rear of the LTD-1021
5. If you use the two holes on the rear of the LTD-1021, make sure that the nails or screws you use on the wall are strong enough and supported well. The LTD-1021 is quite heavy and might fall off if the mounting is done badly.



Notice: Warranty will be void if you wall mount the unit and it falls down. This would be considered bad craftsmanship on the mounting, so make sure that the wall and screws are all strong enough to support the LTD-1021.

C Trouble shooting

If you have some problems with the LTD-1021, please check these quick guides, hopefully they will resolve your problem.

TV mode:

- Make sure that the TV antenna or cable is inserted
- Select the correct antenna mode, see Chapter 3.1
- If you press a TV related button but don't get any response, press the TV button on the remote control again, it might have accidentally been pressed to a different mode
- If you are unable to watch TV stations with adult content, the unit might be locked, see Chapter 3.4 to unlock it

DVD mode:

- Make sure the disc is not scratched, dirty or damaged
- Insert the disc with label towards you (assuming you stand in front of the screen)
- Only DVDs with the right region can be displayed, check the DVD region matches the logo on the rear of the LTD-1021
- Not all DVDs have Angle, Subtitle and Audio tracks, some might not have DVD menu
- If you press a DVD related button but don't get any response, press the DVD button on the remote control again, it might have accidentally been pressed to a different mode

Music mode:

- Only CDs or DVDs with MP3 and CD Audio can be listened to
- Make sure you are in the DVD mode when you listen to music

Photo mode:

- Only JPG pictures can be viewed
- Depending on the resolution of the picture it takes longer or shorter time to display it
- Make sure you are in the DVD mode when browsing pictures

Other troubles:

- Check the power cable is inserted both to the wall outlet, to AC-adaptor, and to the LTD-1021.
- Make sure there are fresh batteries in the remote control and the battery polarity is correct.
- To listen to wireless Audio, make sure there are fresh batteries in the headset, only headset with frequency of 2.3 and 2.8MHz can be used.
- It's not possible to mute the audio on the LTD-1021 and listen to wireless Audio same time. Both are muted.
- When you select FM Wireless mode (see Chapter 2.5) all audio ports will be disabled in the LTD-1021.
- Picture quality can be set up in Chapter 2.4.

D Maintenance

To clean the LTD-1021, wipe it with a soft dry cloth.

If the surfaces are extremely dirty, use a soft cloth dipped in soap-and-water solution or a weak detergent solution.

- Use eyeglass cleaner to remove stubborn dirt from the LCD screen
- Never use alcohol, paint thinner or benzene to clean this unit
- Before using chemically treated cloth, read the instructions that came with the cloth carefully

Caution: If water or similar substances get inside the LTD-1021 warranty will be void and damage might appear.

Whenever you clean the unit, remove the power cord!

E Returning your LTD-1021

After you have enjoyed your LTD-1021 for many years, and feel it's time for it to retire, please return it and any accessories to your dealer or the manufacturer. Your dealer or manufacturer will accept these and will responsibly recycle the components.

Notice : The changes or modifications not expressly approved by the party responsible for compliance could void the user's authority to operate the equipment.