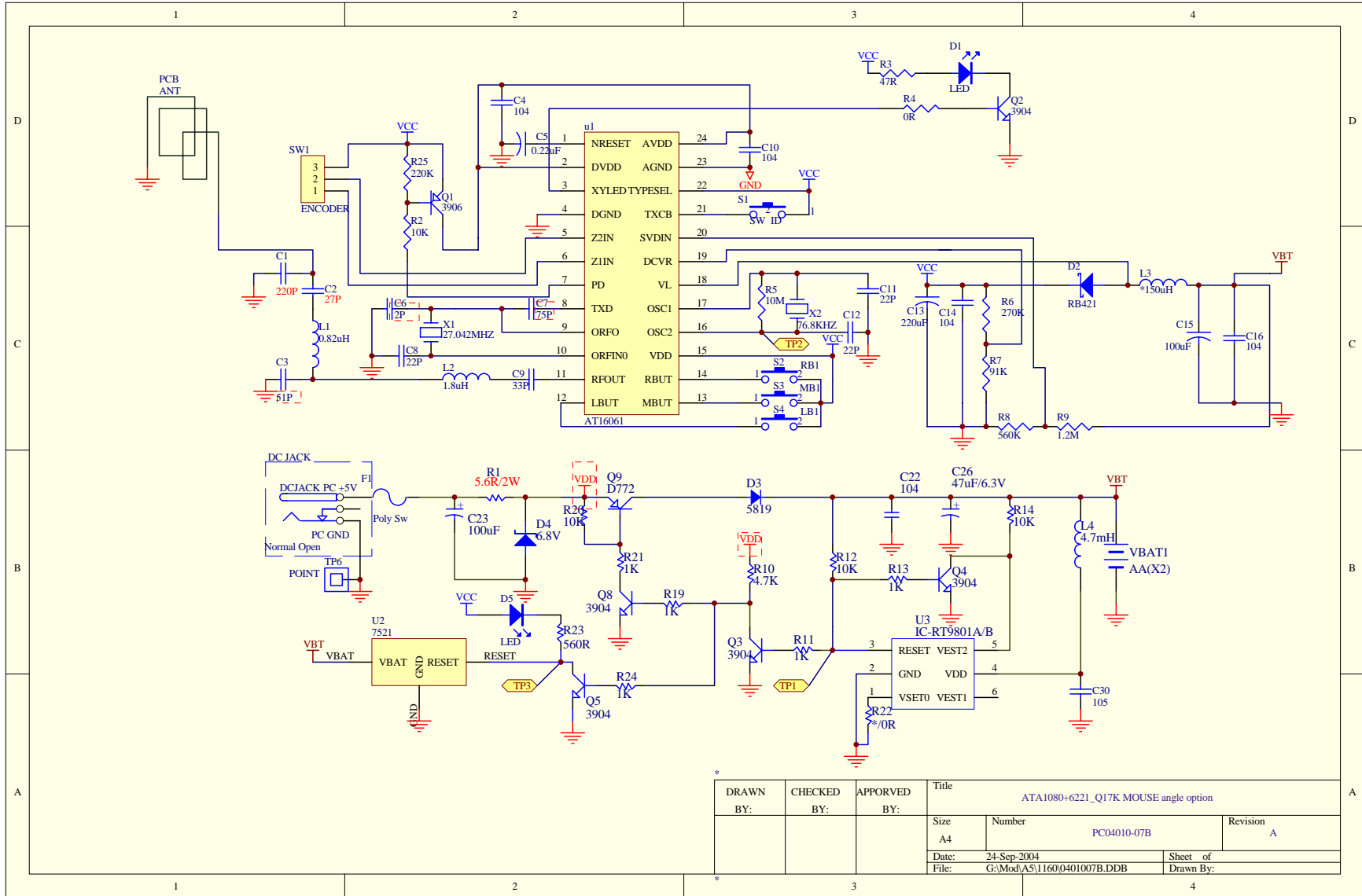
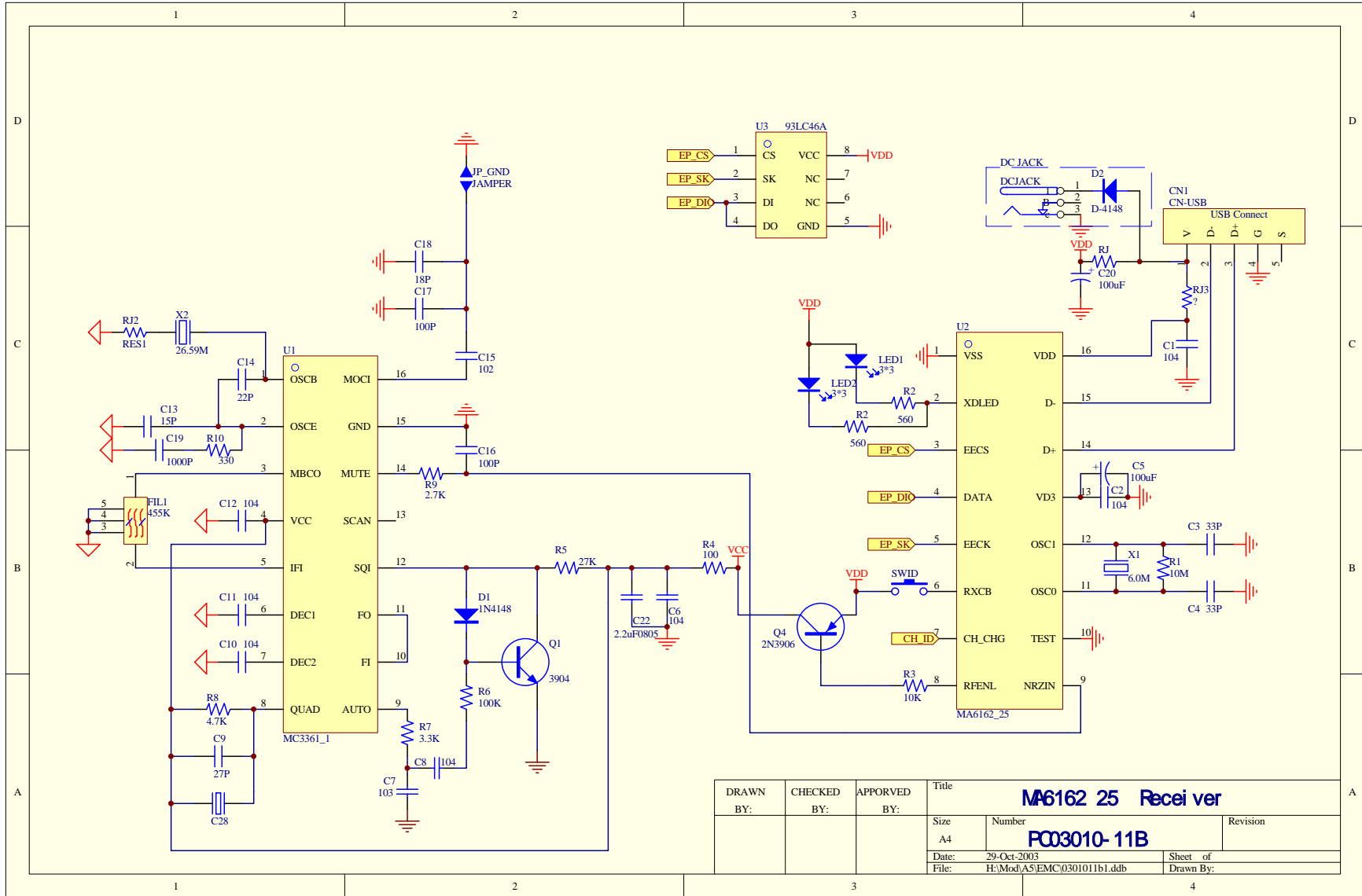


# AXM-105A Mouse Transmitter



DRAWN BY:	CHECKED BY:	APPROVED BY:	Title ATA1080+6221_Q17K MOUSE angle option		
			Size A4	Number PC04010-07B	Revision A
			Date: 24-Sep-2004		Sheet of
			File: G:\Mod\A5\1160\0401007B.DDB		Drawn By:

# AXM-105A Mouse Receiver



DRAWN BY:	CHECKED BY:	APPROVED BY:	Title <b>MA6162_25 Receiver</b>		
			Size A4	Number <b>PC03010-11B</b>	Revision
Date: 29-Oct-2003			Sheet of		
File: H:\Mod\A5\EMC\0301011b1.ddb			Drawn By:		

