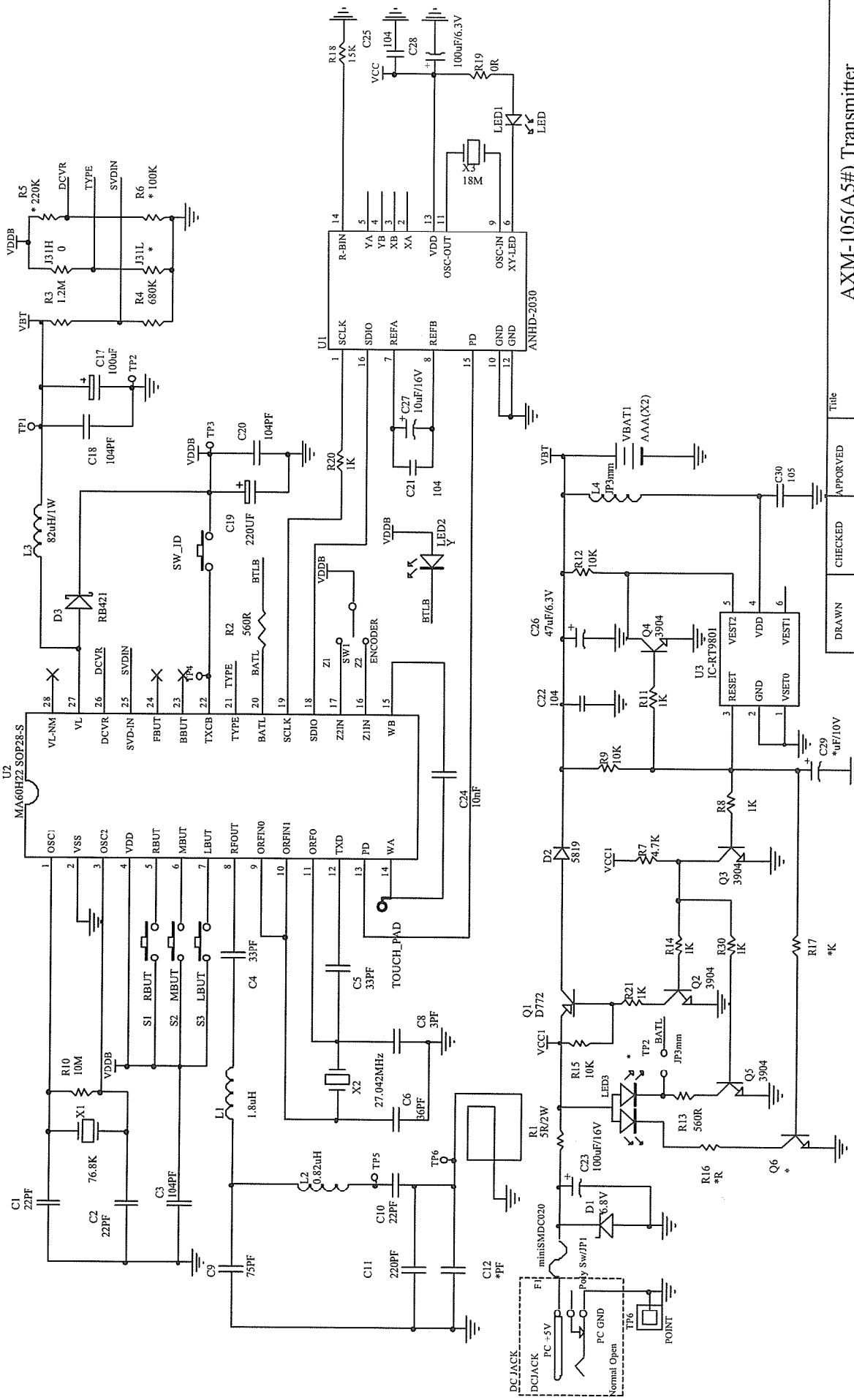


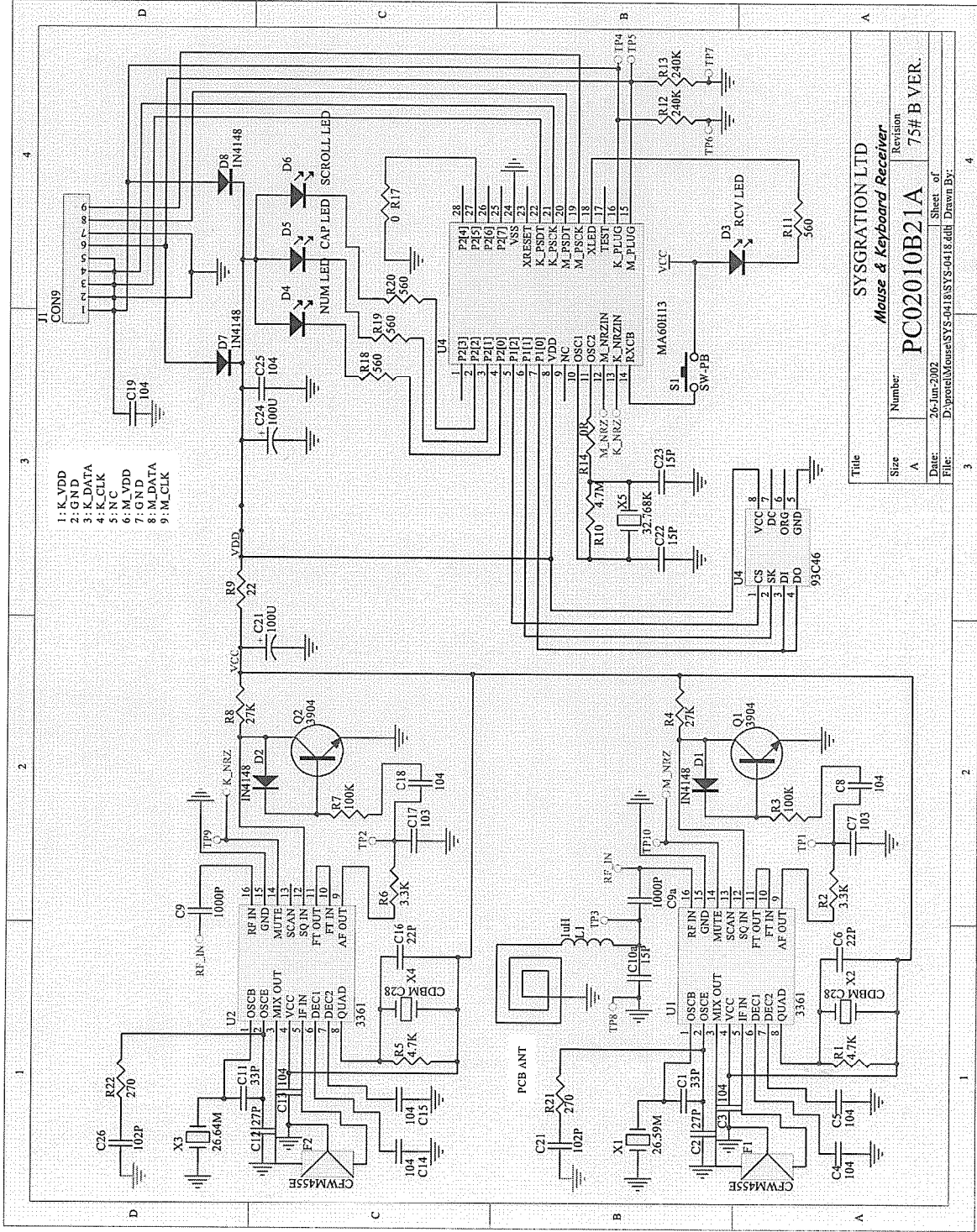
AXM-105xx Transmitter



DRAWN BY:	CHECKED BY:	APPROVED BY:	
Title			Revision
AXM-105(A5#) Transmitter			1.0
PC03010-26B			Number
Size			A4
Date:			16-Oct-2003
File:			\Moose-3014my documents\My eBooks\0203\p03010-26B By:

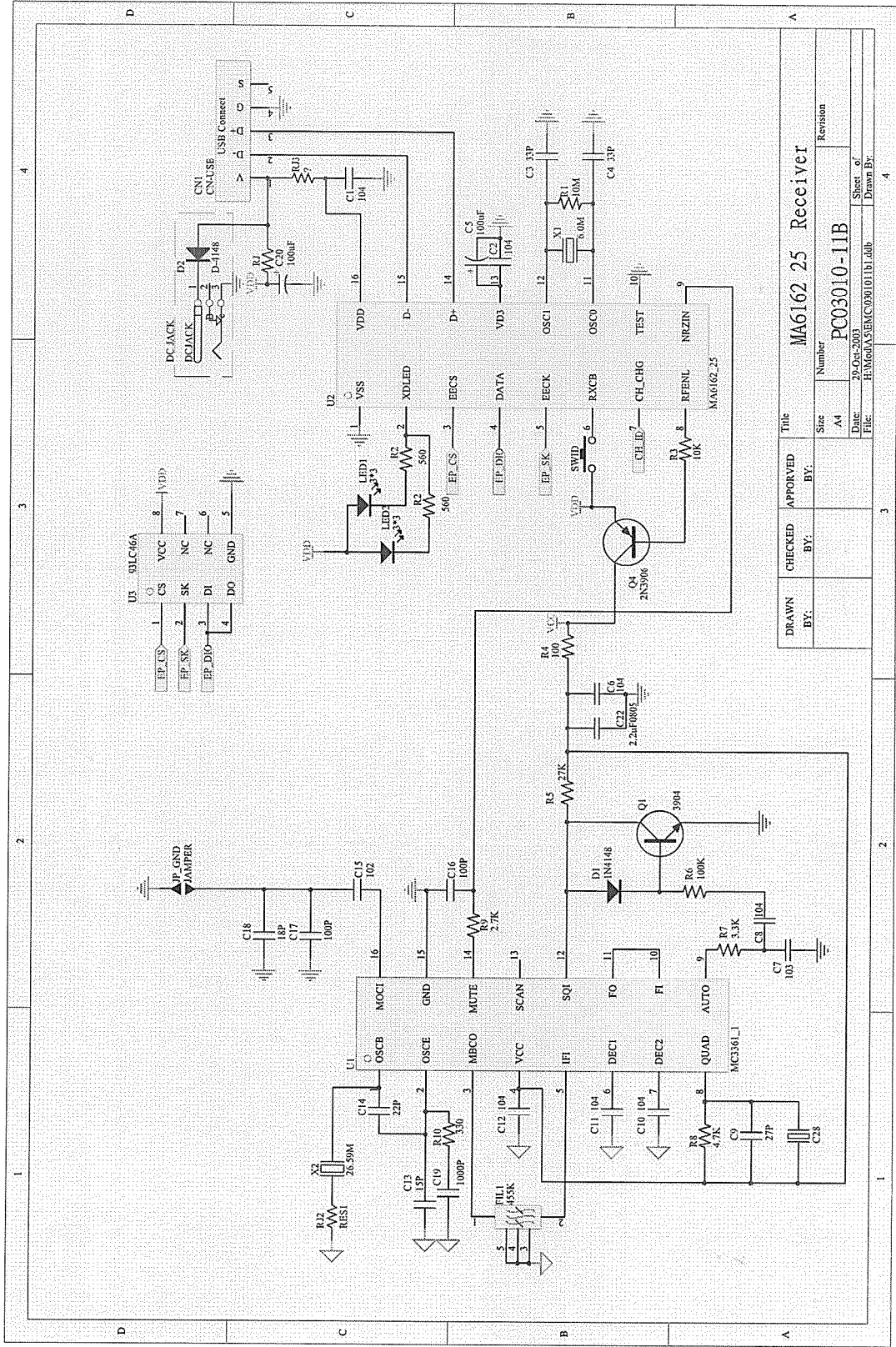
CHECK

RF K+M Receiver



Title		SYSGRATION LTD	
Size		Mouse & Keyboard Receiver	
Number		PC02010B21A	
Revision		75# B VER.	
Date:	26-Jun-2002	Sheet of	3
File:	D:\proj\mouse\sys-0418\sys-0418.dtl	Drawn By:	

RF Mouse Receiver



DRAWN BY:	CHECKED BY:	APPROVED BY:	Title
			MA6162 25 Receiver
			Number
			PC03010-11B
			Size
			A4
			Date
			29-Dec-2003
			File
			F:\MGA\SEM\C090101\1.dwg
			Sheet of
			Drawn By:
			Revision