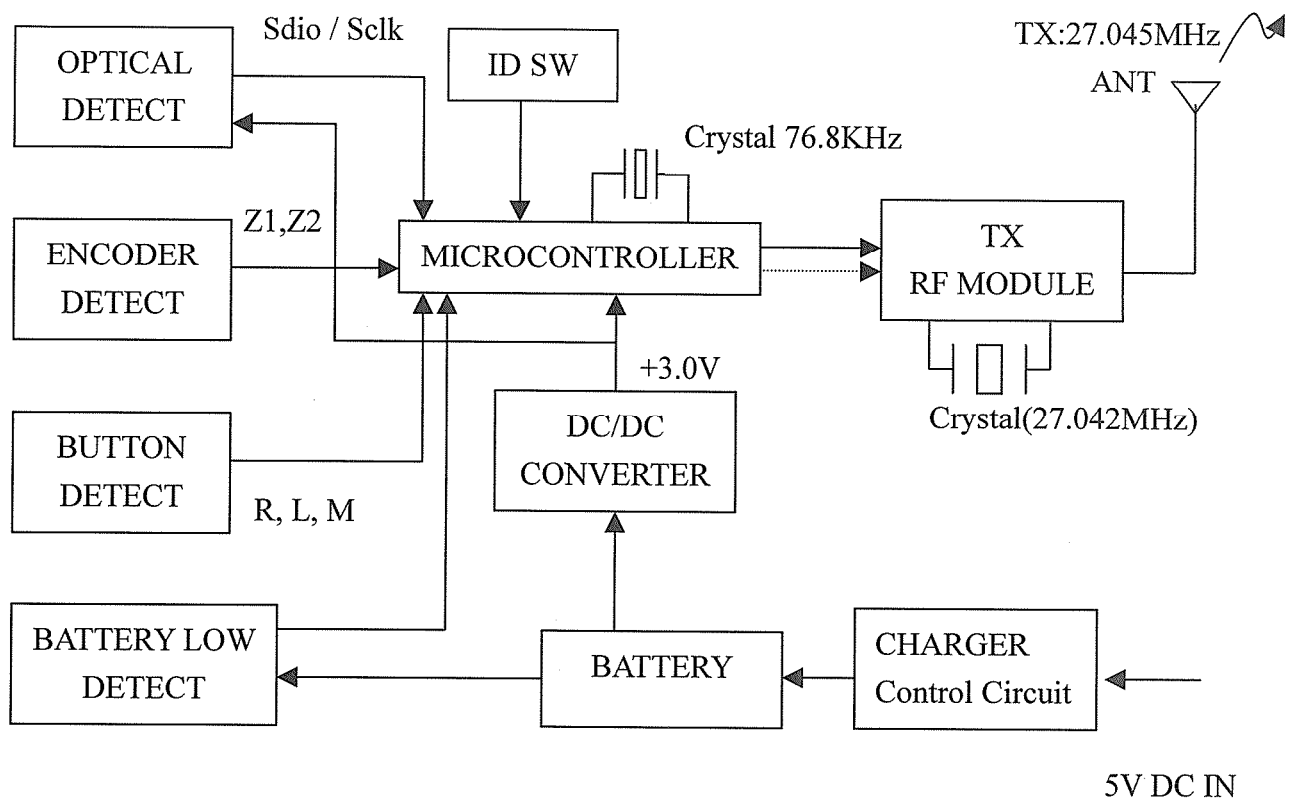


AXM-105xx

Optical Mini Charger RF mouse

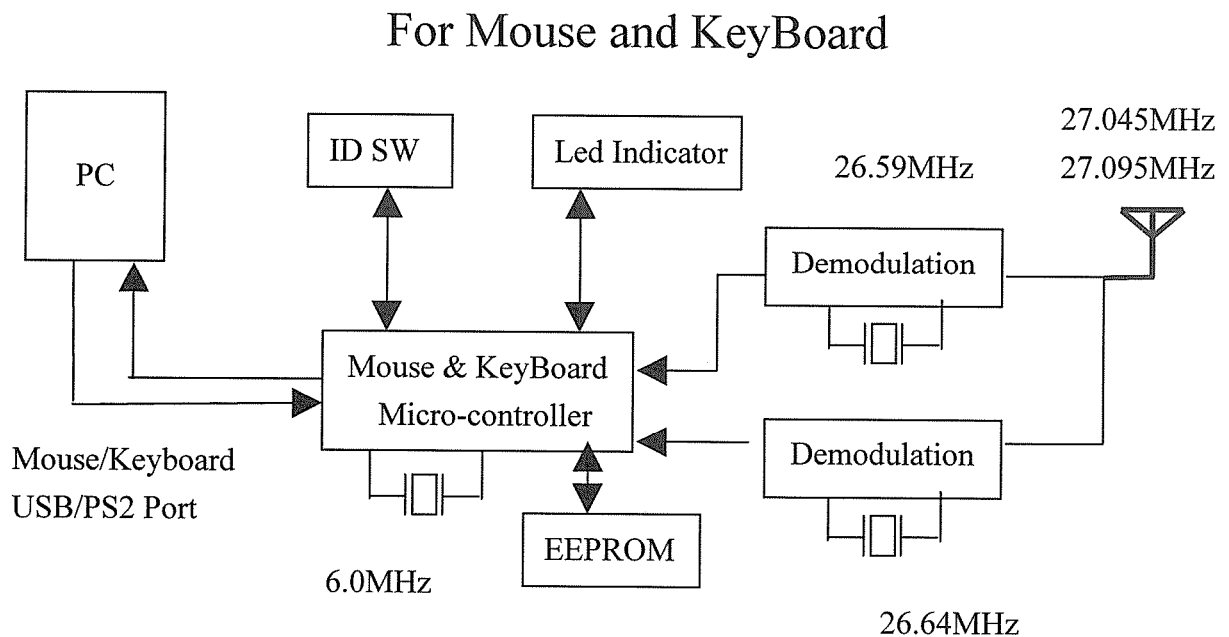
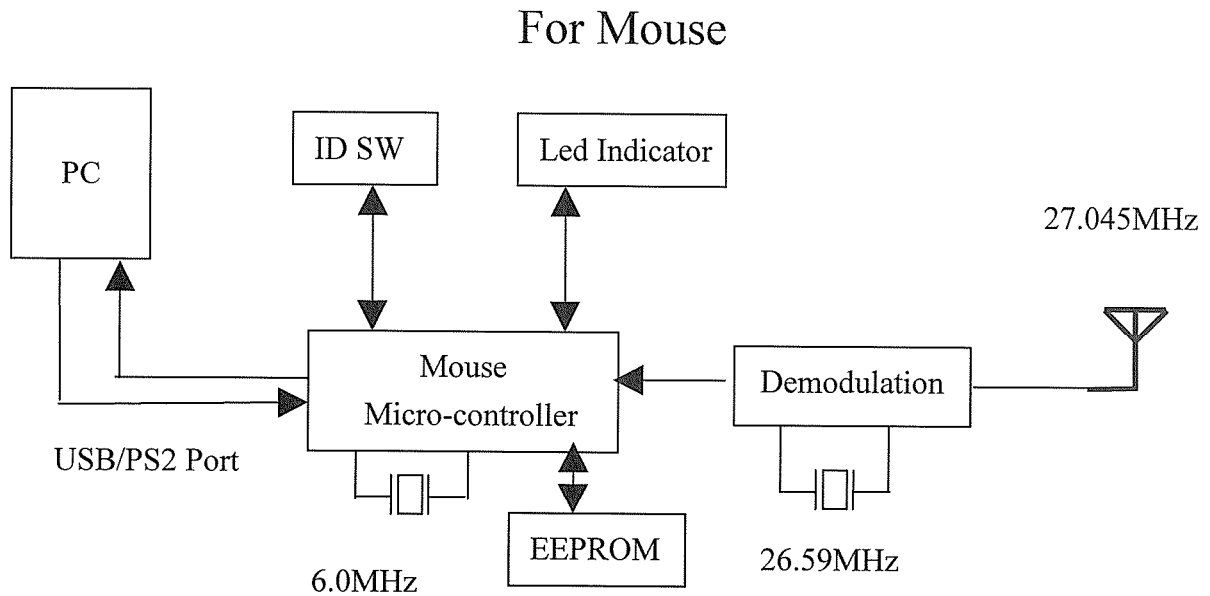
Block Diagram of TX



Mouse:

When Power on, Input Voltage is first ensured to 3.0V by DC to DC convertor, and Power Reset is done. Random Mouse ID can be sent then. After detecting motion signals from X/Y/Z Axis and also signals from button switches, controller would encode the signals and later modulate to 27.092MHz radio frequency and transmit to the air.

Block Diagram of Receiver



Receiver:

When Mouse & Keyboard send Random ID signals, press ID switch of the receiver and link between them will be set up. Any time RF signals from mouse reach the Antenna, demodulation will be done and later decoded by the controller. Finally data of mouse will be transferred to PC via PS/2 mouse port or PS/2 keyboard port separately.