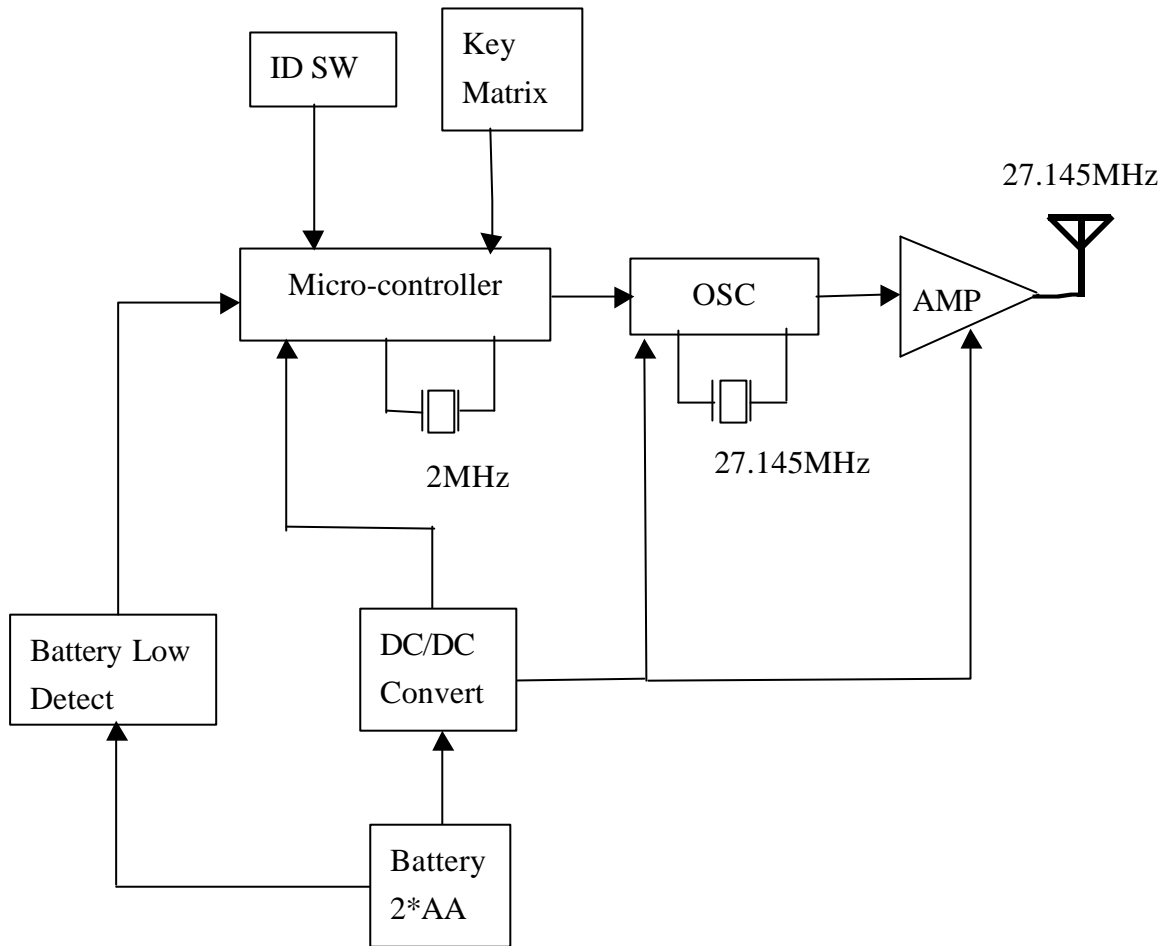


SYS K&M 27MHz Block Diagram

1. Block Diagram of RF Keyboard



Model No.: AK7500

I.D.: HQXAK7500

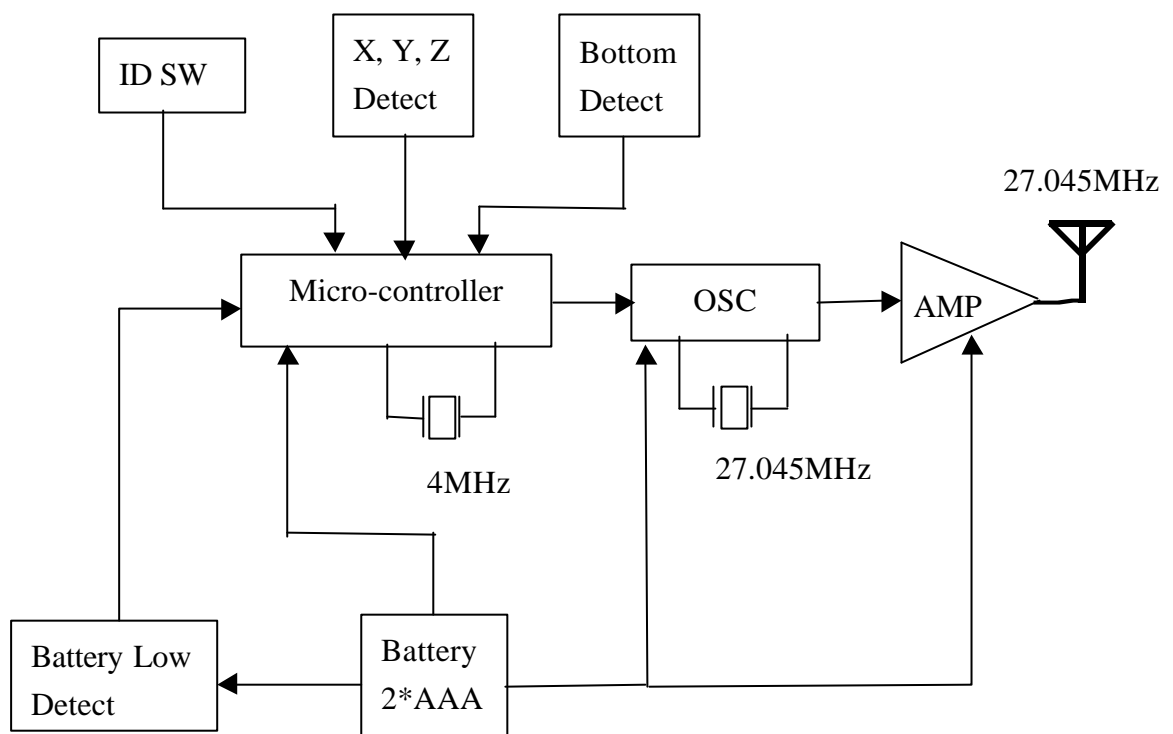
KB:

When Power on, Micro controller is starting to detect the function input signal.

Ex: ID switch, Key matrix

After detecting signals, micro controller encoder data and send data to OSC and local OSC. Then modulation through AMP and turned to radio signal.

2. Block Diagram of RF Mouse



Model No.: AM7500

I.D.: HQXAM7500

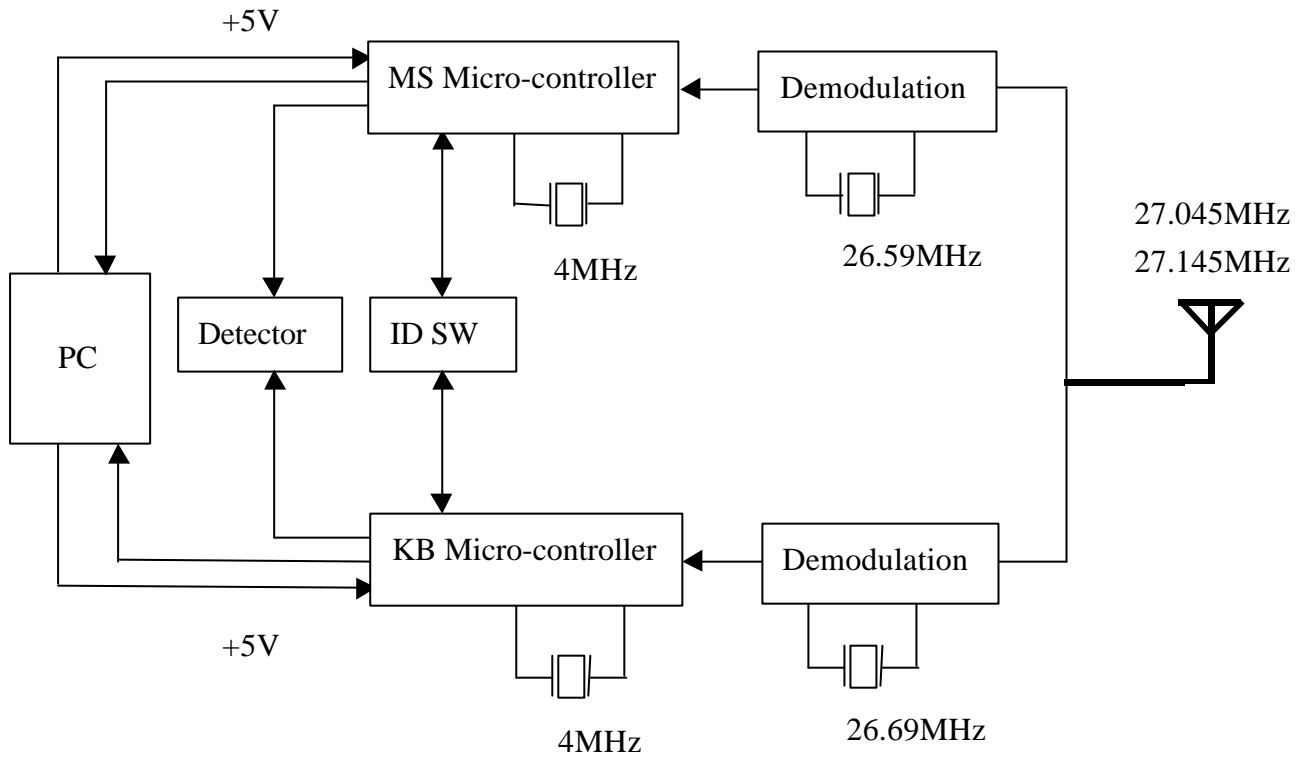
Mouse:

When Power on, Micro controller is starting to detect the function input signal.

Ex: ID switch, X,Y,Z axis motion detect, battery low detect.

After detecting signals, micro controller encoder data and send data to OSC and local OSC. Then modulation through AMP and turned to radio signal.

3. Block Diagram of RF Receiver



Model No.: AR7500

Receiver:

When power on, the micro controller of keyboard & mouse will send data and communicate with PC. RF receive signal through antenna and through de-modulation IC (3361) and LO (26.59 or 26.69 MHz) send signal to PC.