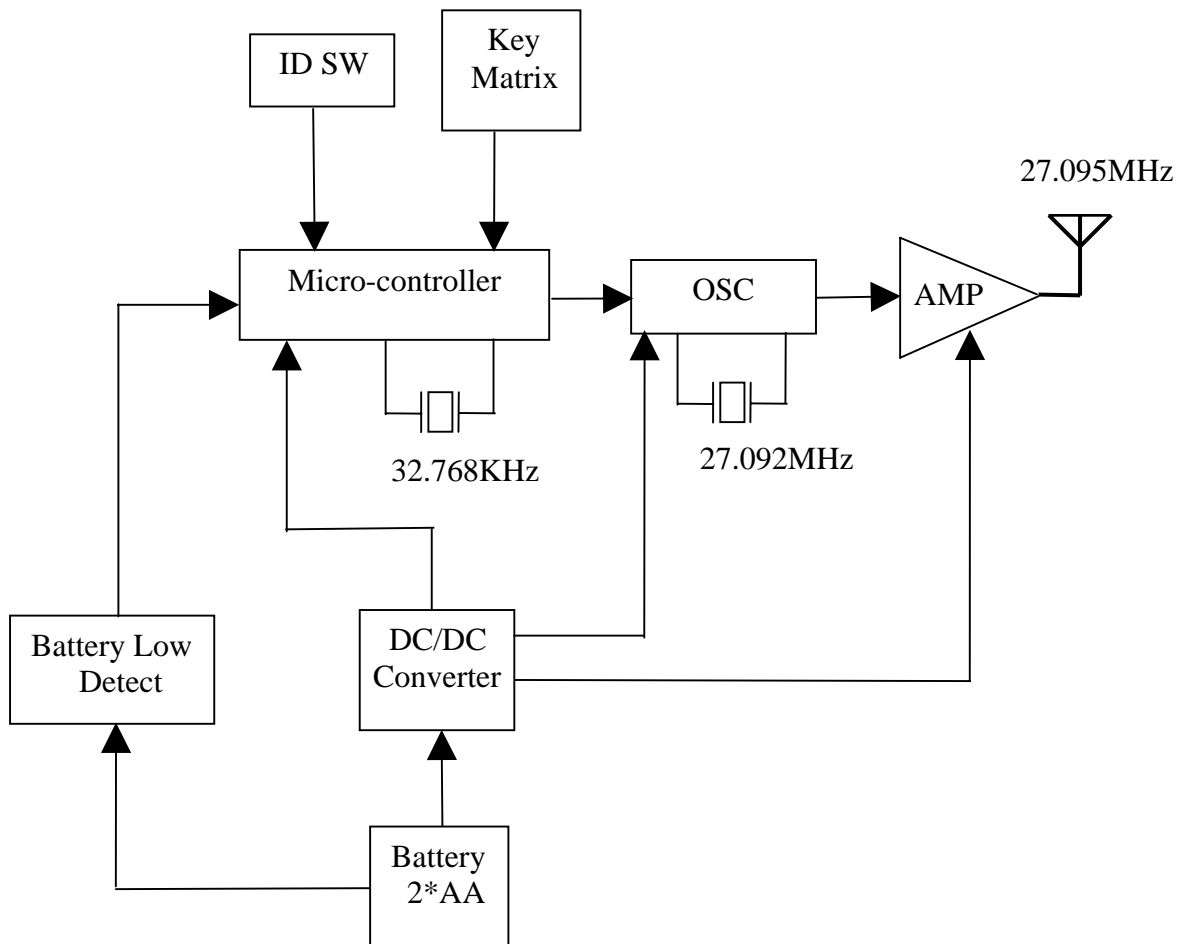


AKM-C35xx

Block Diagram of RF Keyboard



When Power on, Input Voltage is first ensured to 3.0V by DC to DC convertor, and Power Reset is done. Random Keyboard ID can be sent then. After detecting signals from Keymatrix , controller would encode the signals and later modulate to 27.095MHz radio frequency and transmit to the air.