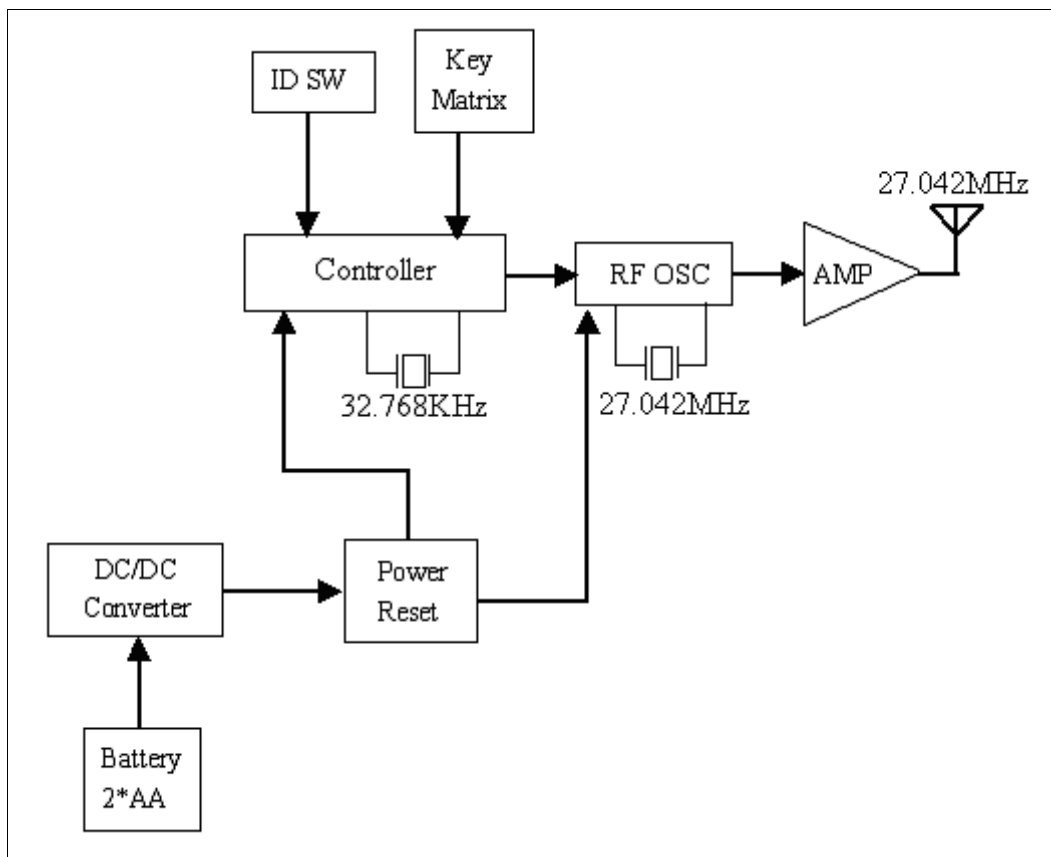


# AGM-7500 27MHz Mouse & KeyBoard

## 1. Block Diagram of RF Keyboard



**KB:**

When Power on, Input Voltage is first ensured to 3.0V by DC to DC , and Power Reset is done. Random Keyboard ID can be sent then. Make /break of any key would be encoded and later Keyboard Code is modulated to 27.042MHz radio frequency and transmitted to the air.