

Safety and Maintenance

Safety Instructions

Please read this chapter carefully and observe all listed notes. This will ensure reliable operation and long life expectancy of your product.

Keep these instructions with your cordless keyboard and mouse set at all times.

In the event that you transfer ownership of these devices, please provide these instructions to the new owner.

Operational Safety

- Whenever you edit data, it is advisable to make backup copies on an external data medium (USB-sticks, external hard disks, CD). We are not liable for any loss of data and consequential damages.
- This product is designed to run on a PC/AT (IBM-compatible) computer with USB port .
- Follow the safety instructions for the computer to which you are connecting the devices.
- Never open the component housing. This might lead to a short circuit or even a life.
- Never allow children to use electronic devices unsupervised .Children may not always correctly identify potential hazards.
- Keep the packing materials, such as plastic sheeting away from children .The danger of suffocation could arise in the case of misuse.
- Remove all power cables from your computer before installation. If the computer is not disconnected from the power outlet damage may result .Unless expressly instructed otherwise, only remove and change the connections in the powered down state.

Point of Use

- Position and operate these devices only on a stable, even and vibration-free surface.
- Keep devices away from moisture and avoid dust, heat and direct sunlight .Ensure an ambient temperature that is suitable for office equipment.
- The device has only been conceived for private use and not for operation in a heavy industry company.
- Use the device exclusively in living space or similar rooms.

Electro-Magnetic Compatibility

- Allow a clearance of at least 50cm(19.7") from sources of high-frequency and magnetic interference (TV, mobile telephone ,infrared devices, loudspeaker cabinets, etc),in order to avoid malfunctions and loss of data .The distance between the transmitter and the receiver should be greater than 50cm(19.7").
- When connecting additional or other components ensure that Guidelines for Electro-Magnetic Compatibility (EMC) are observed.

Battery Treatment

Batteries may contain combustible materials .Misuse may cause battery **leakage, heat, explosion or ignition**; bring about **damage** to the device or personal **injury**.

Please strictly observe the following:

- **KEEP CHILDREN AWAY** from batteries.
If by any chance, the batteries are swallowed, consult a doctor immediately.
- **DO NOT CHARGE** batteries (except rechargeable batteries).
- **DO NOT FORCIBLY DISCHARGE** batteries.
- **DO NOT SHORT-CIRCUIT** batteries.
- Do not expose the batteries to high temperatures caused by sunshine, fire or the like!
- **DO NOT ATTEMPT TO DISASSEMBLE** or **DEFORM** batteries.

This may lead to injury, or the liquid of the battery may get into your eyes or adhere to your skin .If this happens, rinse with a large quantity of water immediately and consult a medical doctor.

- **DO NOT** allow batteries to be exposed to **heavy impact** by dropping or throwing the batteries.

- **DO NOT** reverse the positive (+) and negative (-) **terminals**. This will help avoid short-circuits.

- **DO NOT** MIX used and new or different types of batteries together.

Your equipment may not operate properly. In addition, the battery exhausted first may be excessively drained (over-discharged).

- **REMOVE PROMPTLY** the used batteries from the device.
- **REPLACE ALL BATTERIES** with new batteries of the same type at the same time.
- **INSULATE THE TERMINAL** part with tape or the like at the time of **storage or disposal** of the batteries.

Maintenance

Cleaning

- Clean the devices and other components with a damp cloth .Do not use any solvents, corrosives or gaseous detergents.

Repairs

- This device should only be repaired by an authorized service centre .Please contact customer care if you have any technical problems .

Remove the power plug of your computer from the mains and contact the MEDION Help Desk on 1300 884 987

- If the connections are cut or otherwise damaged;
- If liquid has entered the device housing;
- If a device does not operate correctly;
- If a device is dropped or the housing damaged.

Recycling

Packaging

All packaging and packaging materials that are no longer required can should be recycled.

What's in the Box?

Please check that the below mentioned parts and accessories are in the box. If any item is missing please contact your local service centre accordingly. Any claim for missing parts will only be accepted **within 14 days from date of purchase** .Included in delivery is the following:

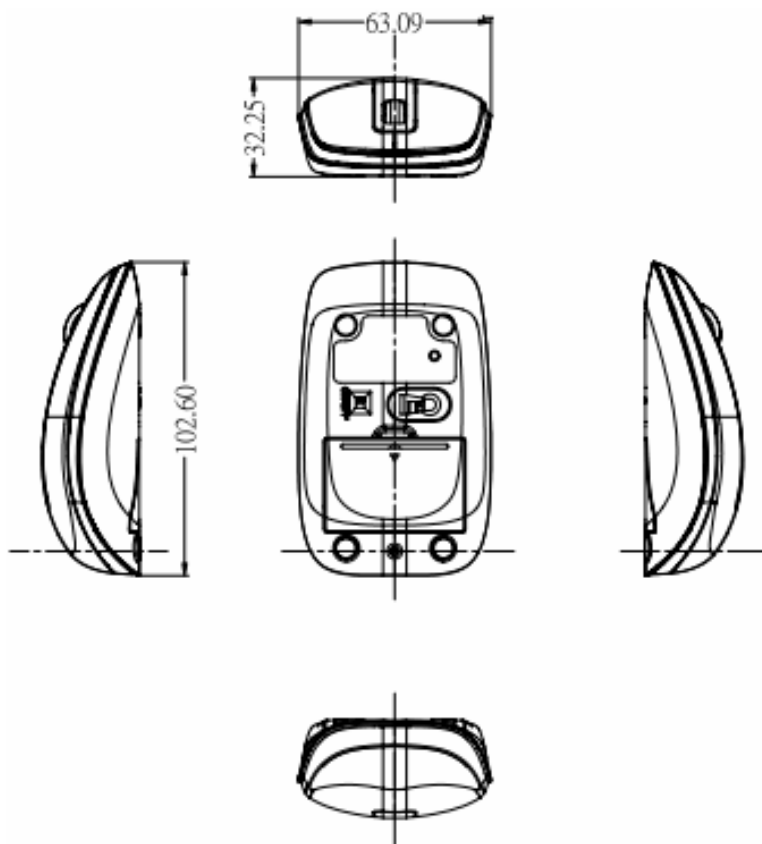
- Wireless Keyboard
- Wireless Mouse
- USB dongle receiver
- Alkaline Batteries(AAA –Type)
- User Manual

System Requirements

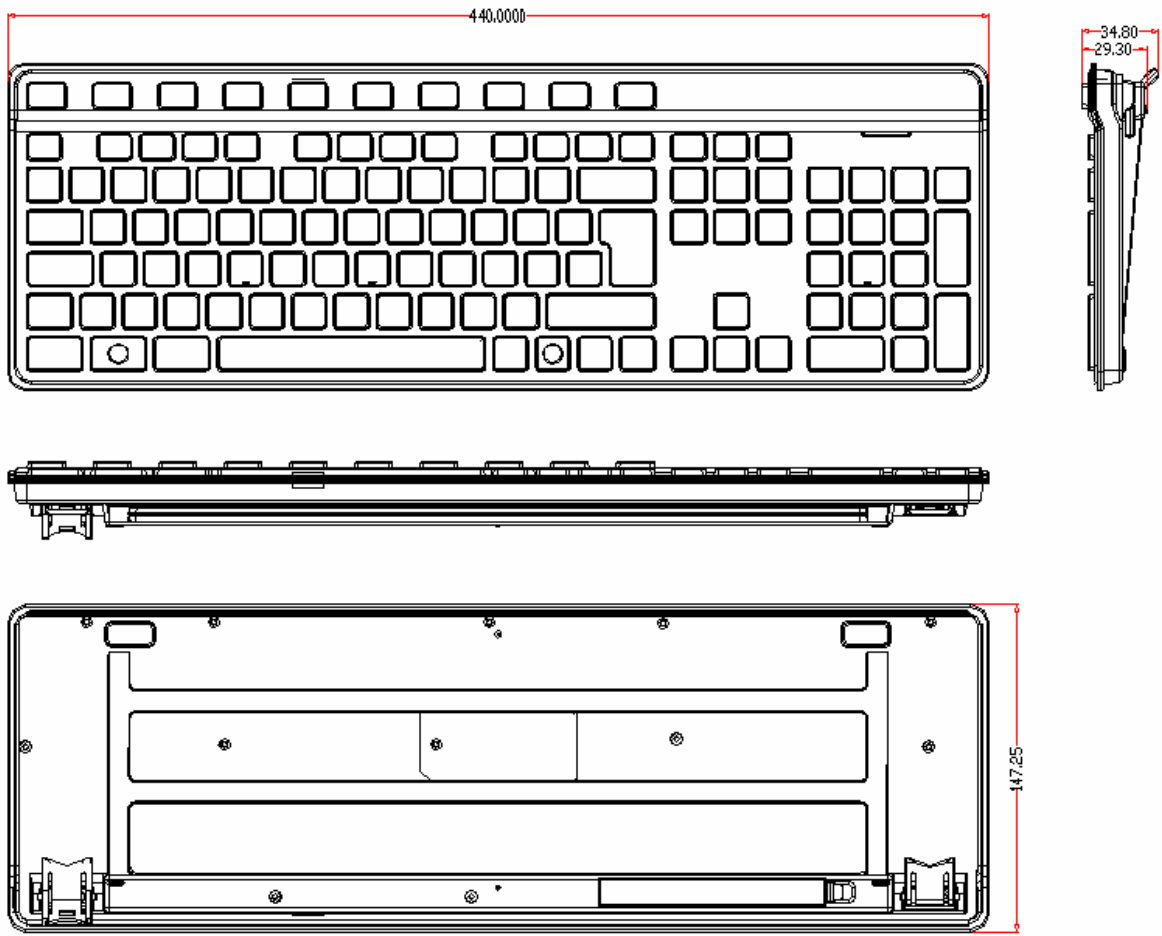
- Operating System Windows 7/Vista/XP
- Connections 1xUSB port

Identifying Parts

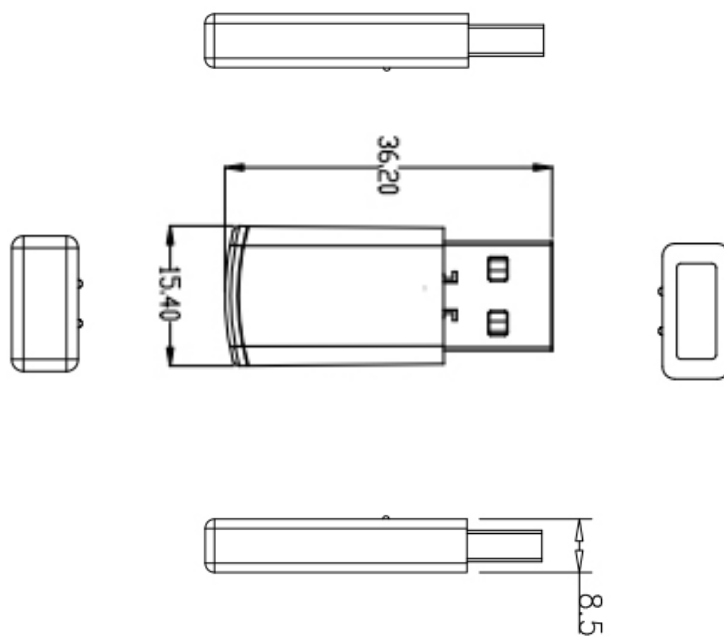
Mouse:



Keyboard:



Receiver:



Fitting Batteries in the Keyboard

1. Turn the keyboard upside down.
2. Remove the battery compartment cover.
3. Insert the batteries (2 batteries ,AAA type) in the battery compartment of the keyboard .Ensure that the battery poles correspond to the “+”and “—”markings.
4. Slide the battery compartment cover back on until it locks into place.

Fitting Batteries in the Mouse

1. Turn the mouse upside down and remove the battery compartment cover by putting pressure on the recess and carefully pushing the cover upwards.
Insert the battery (2 batteries ,AAA type) in the battery compartment of the mouse .Ensure that the battery poles correspond to the“+”and “—”markings.
Slide the battery compartment cover back on until it locks into place.

Connecting the Receiver

1. Please refer to the notes in the “Safety and Maintenance” section (page 3).
2. Switch the computer and all the attached peripherals on (monitor, printer, external modern, etc.)
3. Insert the wireless USB dongle receiver in the USB socket of your PC.
4. This wireless keyboard mouse set provides Plug and Play function with factory preset connection channels.

Operating the Keyboard and Mouse

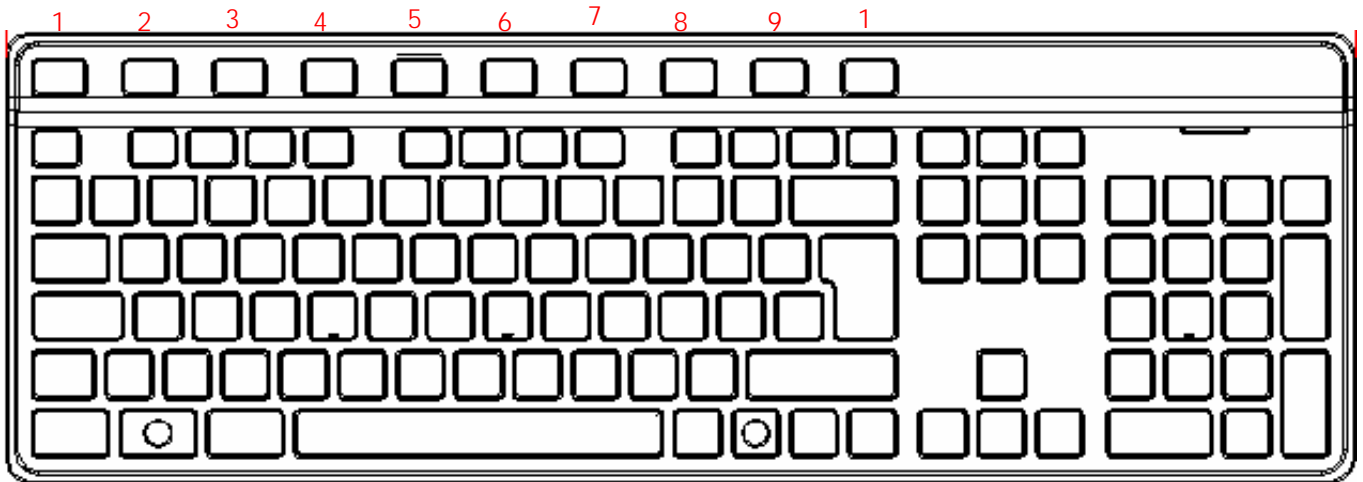
Mouse :

- 1). Traditional left, middle and right buttons of mouse and with scroller for browsing.

Keyboard

- 1). 104/105 keys keyboard structure.
- 2). Multimedia key functions indication below from 1 to 10.

Multimedia Keys and Functions



No	Icon	Description
1	☾	Sleep
2	🏠	Home
3	🔄	Refresh
4	⏮	Previous
5	⏸	Play/Pause
6	⏭	Next
7	■	Stop
8	🔊-	Volume down
9	🔊/	Mute
10	🔊+	Volume up

Maintenance Support

When the keyboard/mouse encounters failure, please seek maintenance support from customer service hotline. Dismantling of the unit is prohibited.

Note:**FCC Statement**

This equipment has been tested and found to comply with the limits for a Class B digital device, pursuant to part 15 of the FCC rules. These limits are designed to provide reasonable protection against harmful interference in a residential installation. This equipment generates, uses and can radiate radio frequency energy and, if not installed and used in accordance with the instructions, may cause harmful interference to radio communications. However, there is no guarantee that interference will not occur in a particular installation. If this equipment does cause harmful interference to radio or television reception, which can be determined by turning the equipment off and on, the user is encouraged to try to correct the interference by one or more of the following measures:

- Reorient or relocate the receiving antenna.
- Increase the separation between the equipment and receiver.
- Connect the equipment into an outlet on a circuit different from that to which the receiver is connected.
- Consult the dealer or an experienced radio/TV technician for help.

To assure continued compliance, any changes or modifications not expressly approved by the party responsible for compliance could void the user's authority to operate this equipment. (Example- use only shielded interface cables when connecting to computer or peripheral devices).

This equipment complies with Part 15 of FCC RF Rules. Operation is subject to the following two conditions:

- 1) This device may not cause interference and
- 2) This device must accept any interference, including interference that may cause undesired operation of the device.

Caution!

The manufacturer is not responsible for any radio or TV interference caused by unauthorized modifications to this equipment. Such modifications could void the user authority to operate the equipment.