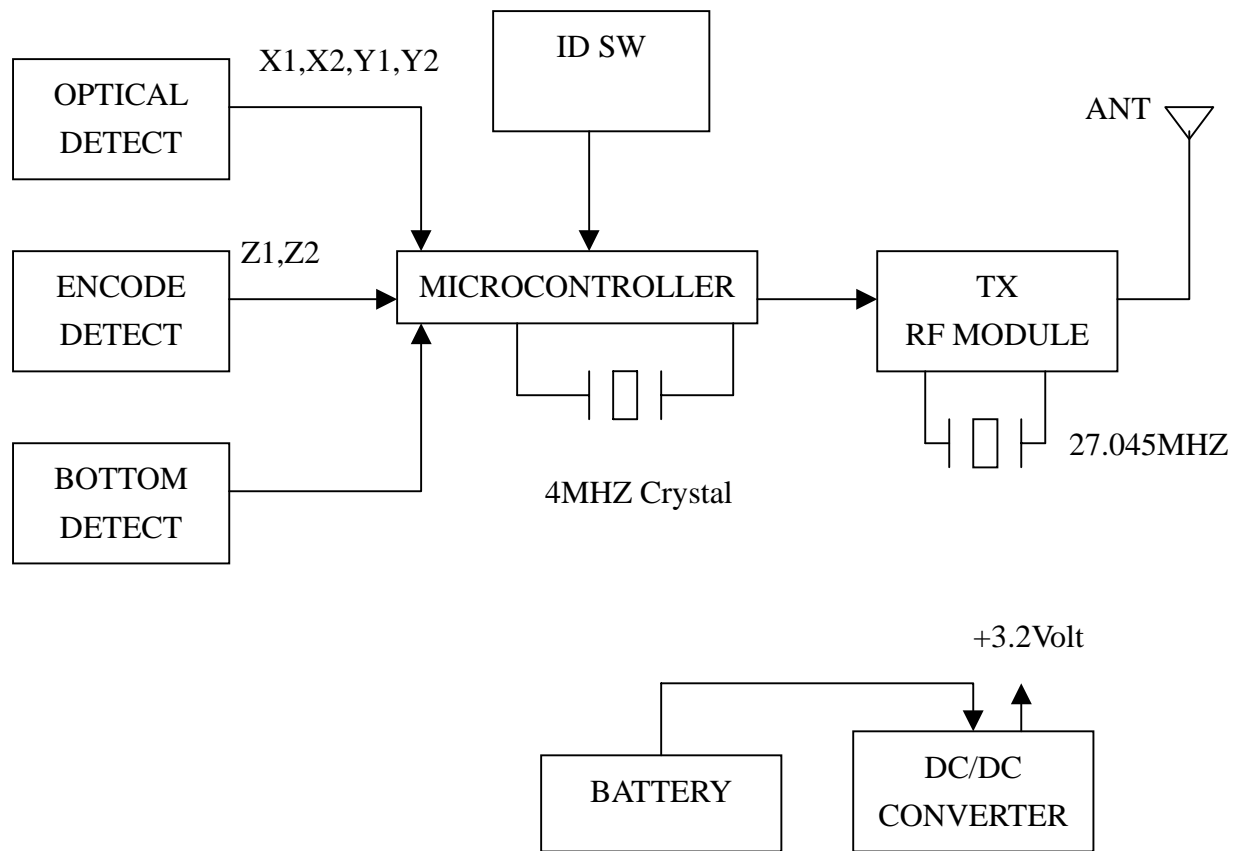


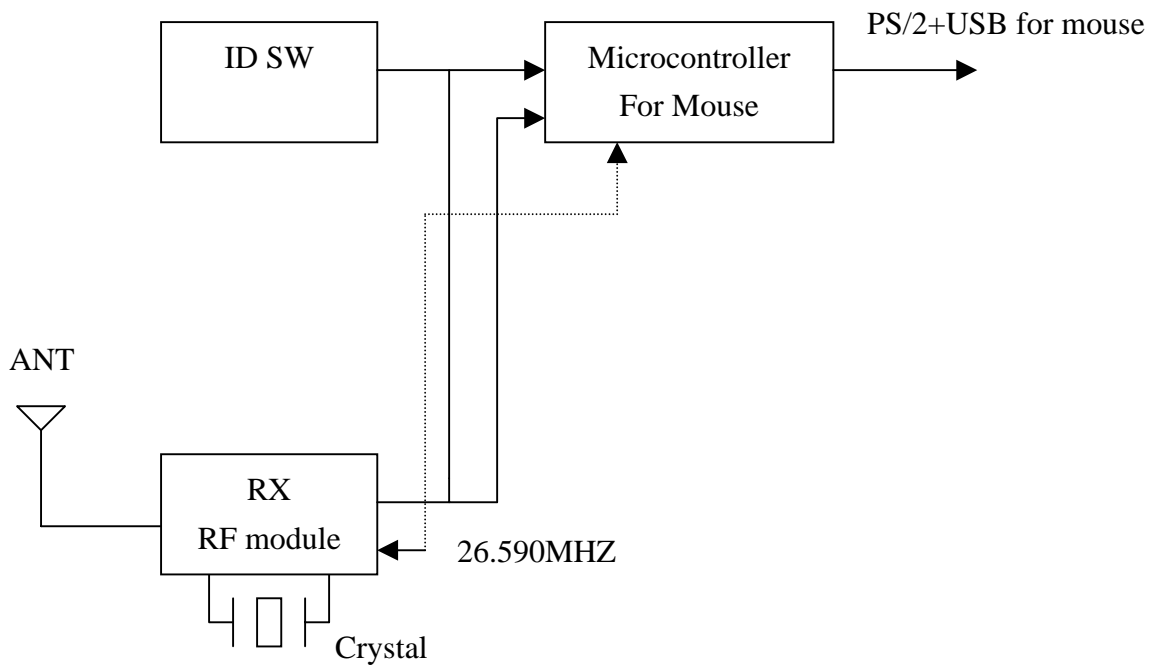
Block Diagram of optical RF mouse



RF MOUSE:

When power on, Micro controller is starting to detect the function input signal EX:ID switch ,X,Y,Z axis motion detect .After detecting signal ,micro control encoder data and send data to OSC and local OSC. The modulation through AMP and turned to radio signal

Block Diagram of Receiver



Receiver:

When power on ,the micro controller of mouse will send data and communicate with PC. RF receive signal through antenna and through de-modulation IC(3361) and L.O.(26.59MHZ) send signal to PC.