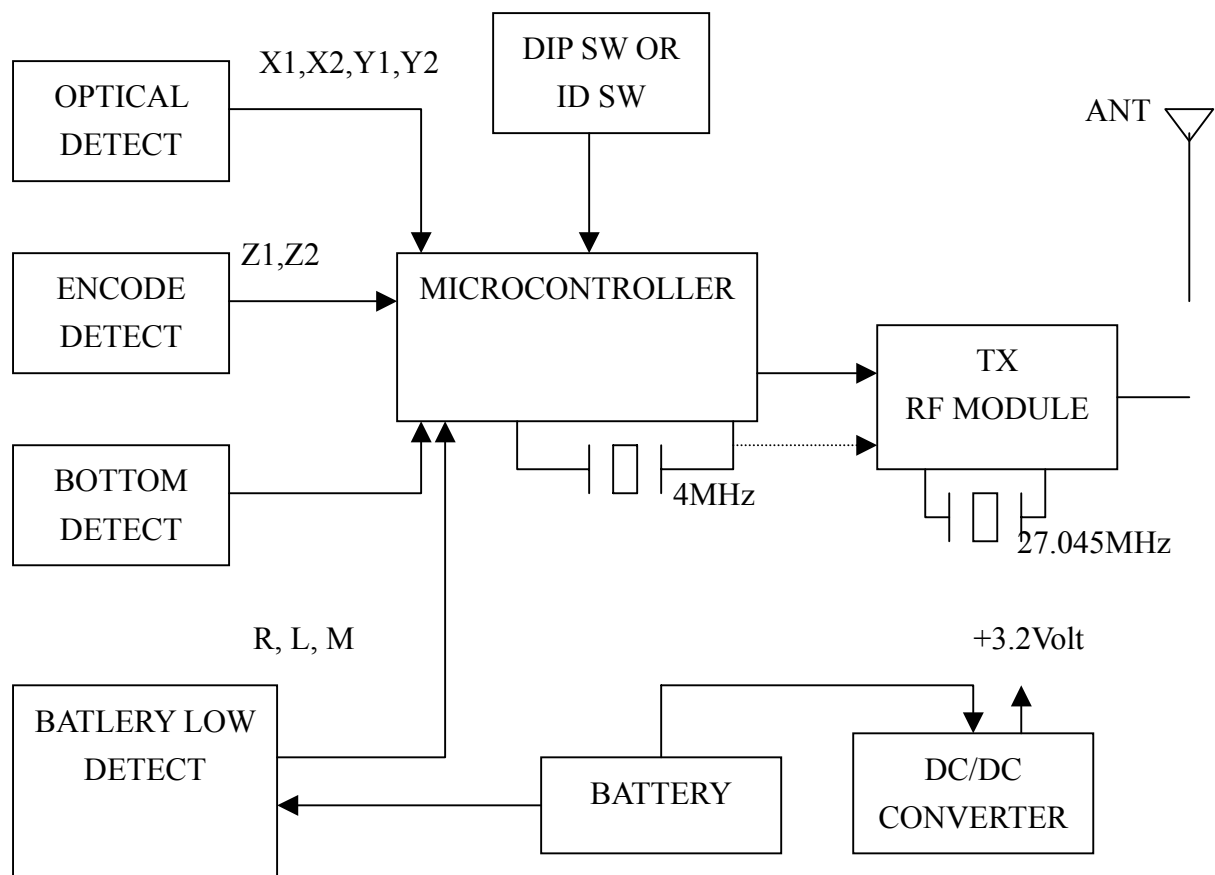


# Block Diagram of crystal optical RF mouse



Mouse:

When Power on, Micro controller is starting to detect the function input signal.

Ex: ID switch, X,Y,Z axis motion detect, battery low detect.

After detecting signals, micro controller encode data and send data to OSC and local OSC. Then modulation through AMP and turned to radio signal.