

USB RF Mouse

6. Troubleshooting

a. Mouse not detected

1. Make sure the Receiver cable is connected to the USB Port firmly.
2. Make sure the batteries are placed correctly, and replace new ones if they are under voltage.
3. Make sure channel select switches are set at the same channel, or try the other channel .
4. Use a mouse pad whenever you work on metallic surface.

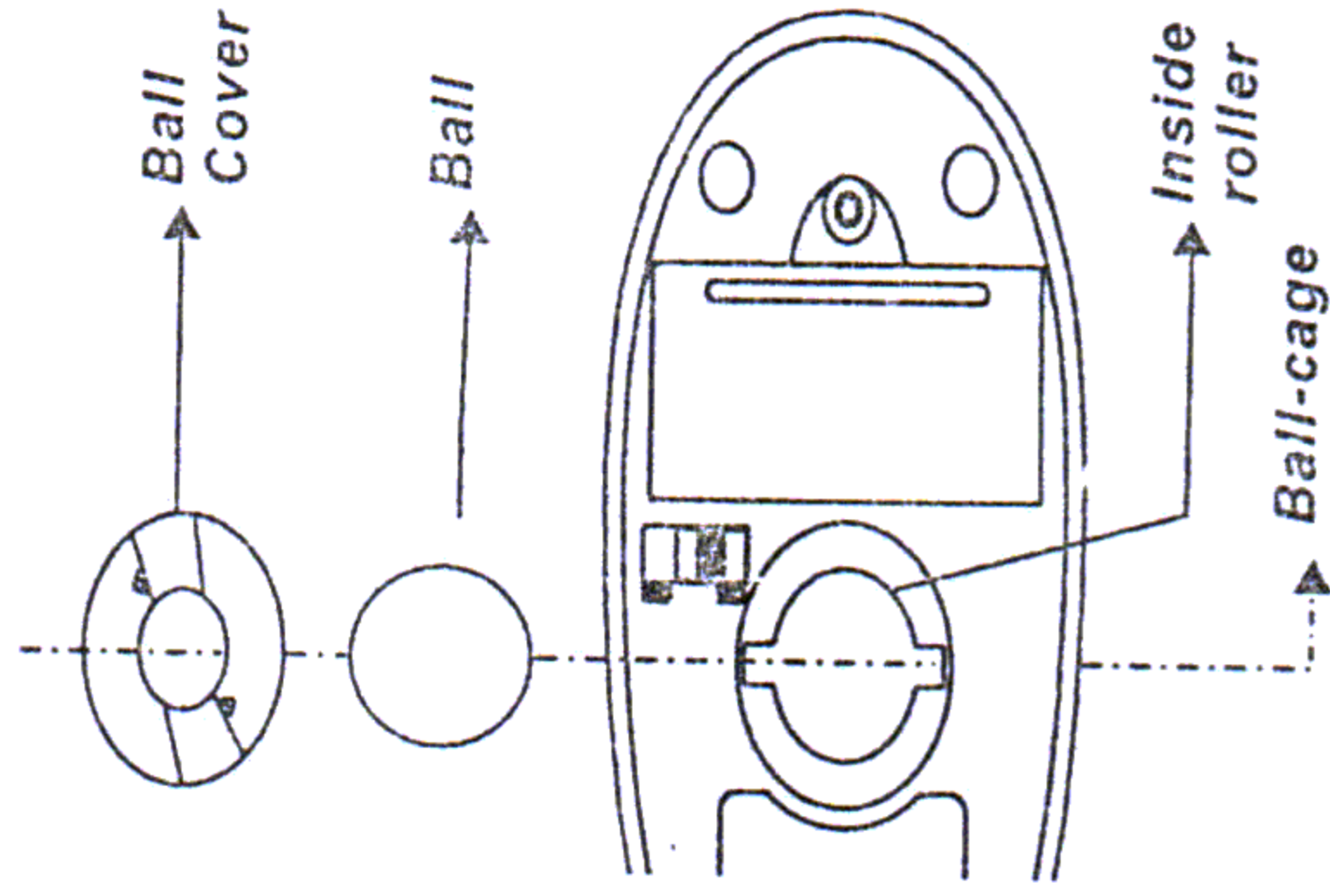
b. Poor Cursor movement

1. Clean the ball roller mechanism. See maintenance.
2. Get the mouse closer to the Receiver.
3. Try the other channel.

7. Maintenance

The mouse's ball and housing will all become dirty with time. These parts should be cleaned regularly.

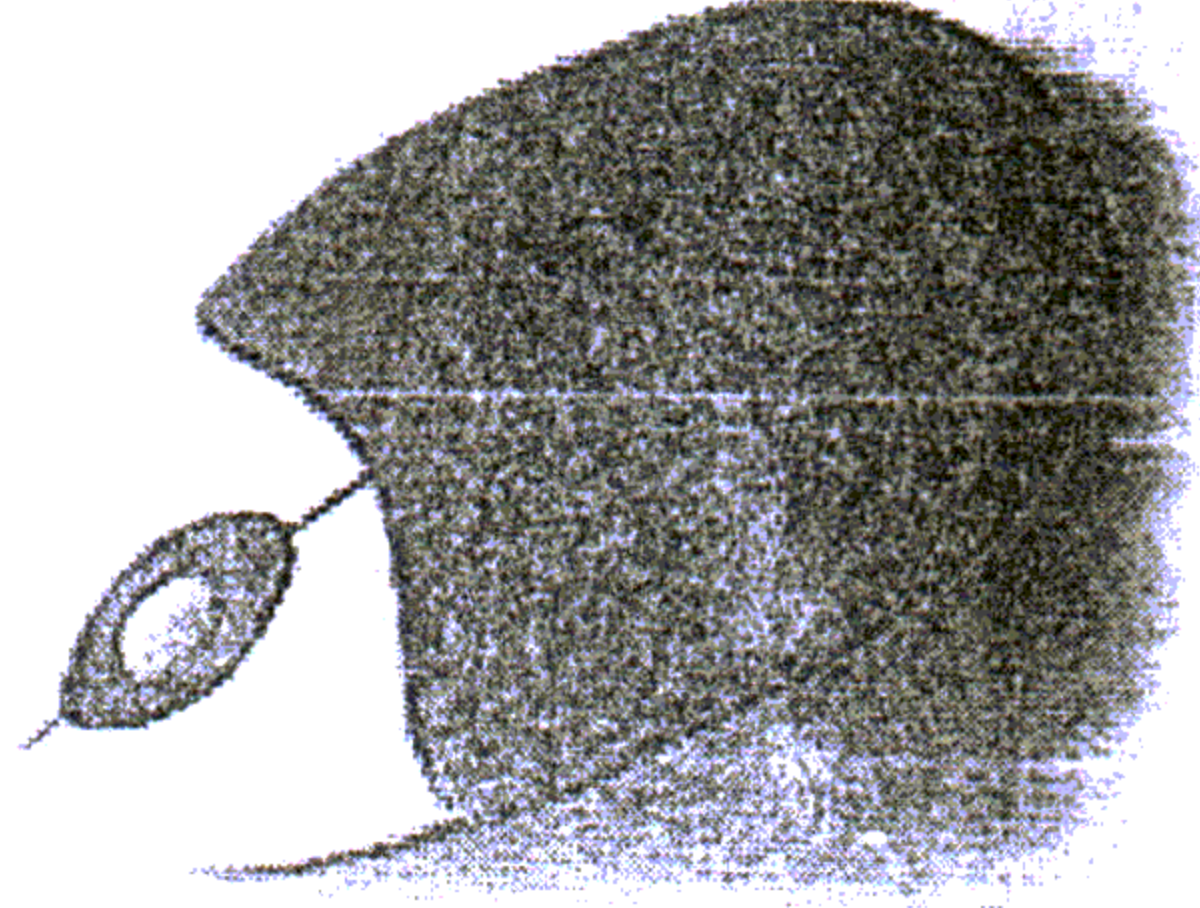
1. Disconnect the Receiver from USB port.
2. Turn the mouse upside down and remove the ball cover.
3. Remove the ball itself, and wipe off the ball, the rollers, and the housing with a cloth that has been wetted with water or a mild soap.
4. Replace the ball and the cover.



User's Guide

USB RF Mouse

AGIM-67URX



USB RF Mouse

1. Features

USB RF Mouse is designed to use with PC in office or home, with a suitable operation distance of up to 5 feet.

To avoid interference with near by RF Mouse, two channels is selectable.

Mouse without cable allowed you to move it freely and never annoyed by the cable.

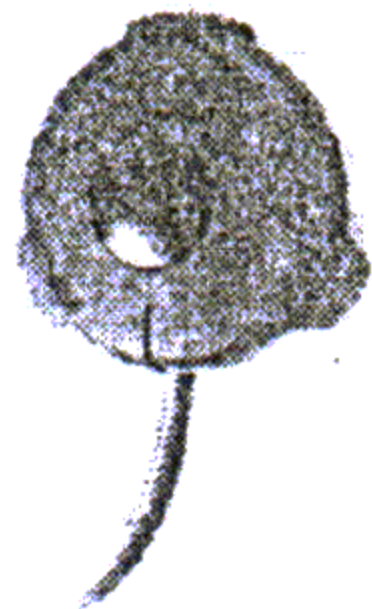
Radio Frequency Techniques ensure the mouse to be able to move 360° without directional and midway obstacle problems.

3D Scroller afford you to scroll up and down as desired, when browsing the Internet or scrolling through any Windows documents.

2. Appearance



USB Cable



Receiver

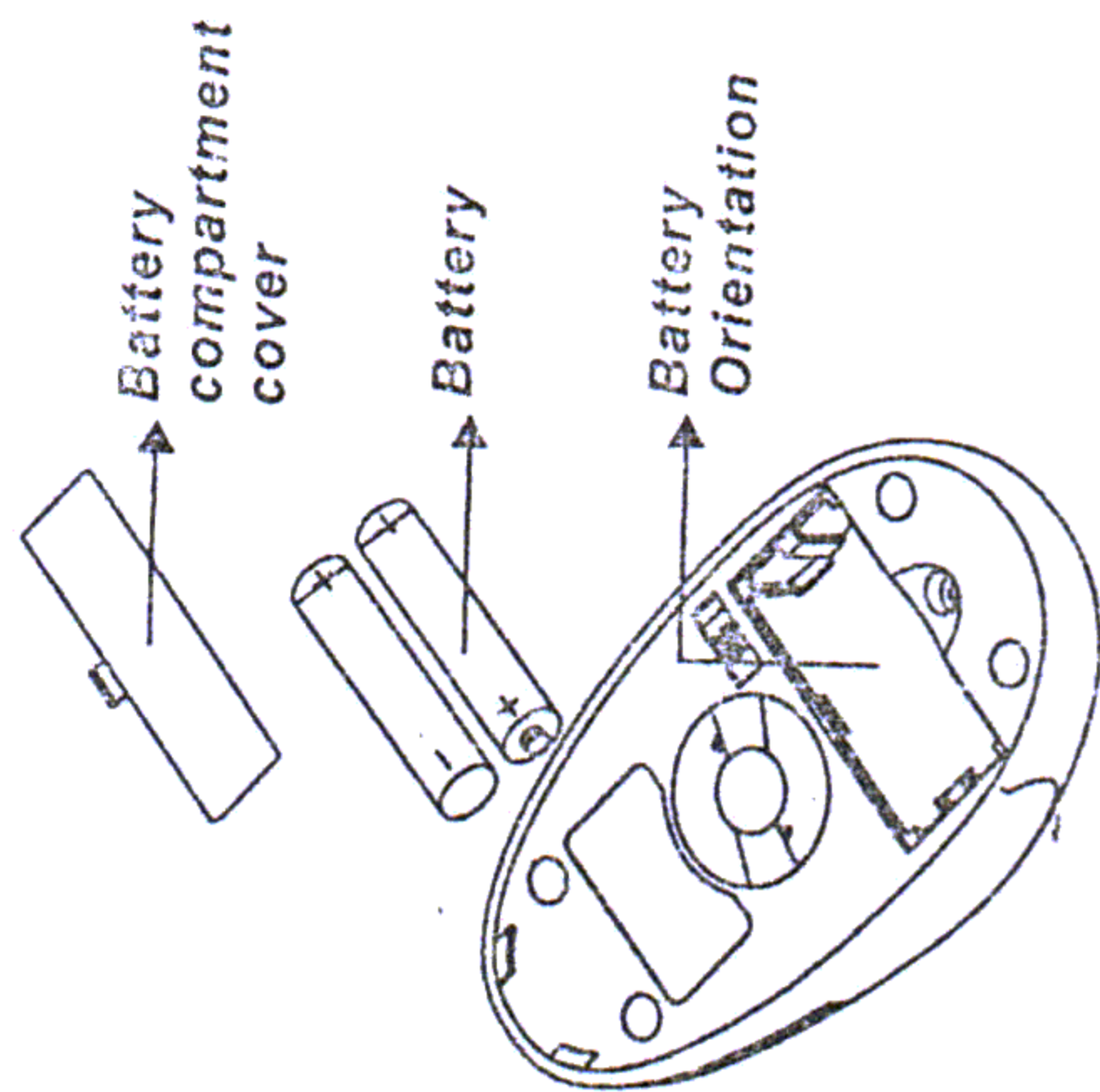


RF Mouse

3. Installation

a). Installing Batteries

1. Remove the battery compartment cover by pulling up the tap near the screw at the bottom cover.
2. Insert two AAA batteries into the compartment, following the diagram shown inside for correct orientation.
3. Replace the cover and be sure it is locked well.



USB RF Mouse

b). Installation under Windows 98

1. Start Windows 98
2. Connect the Receiver cable to USB port on PC or USB hub, and "RF USB Mouse" message appears on "New Hardware Found" block.
3. Press "Next" when "Add New Hardware Wizard" dialog box appears.
4. Select "Search for the best driver...", and press "Next".
5. Tick "Specify a location" and select the Drive where Windows 98 actually is. example: D:\WIN 98.
6. Follow the instructions pressing "Next", and finally press "Finish" to complete the installation.

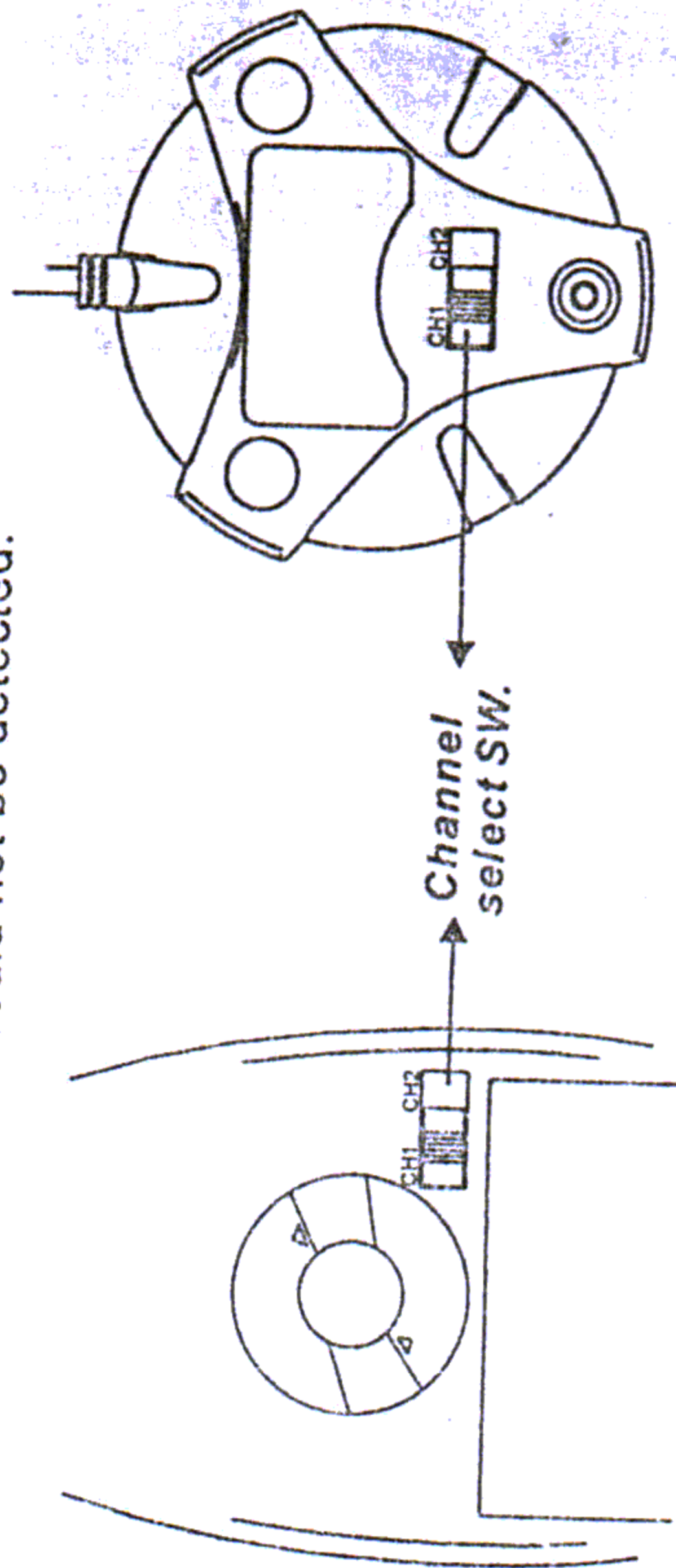
4. LED Display Indications

- The LED turns bright whenever the mouse is moved or its keys pressed.
- The LED turns dull when the mouse is not detected.

5. Alternative Channels

When there is other RF devices near by or for better reception, you may select alternative channels. Set the slide switch under the Receiver to the desired channel, and then the other one under the mouse.

Make sure the two slide switch should always set to the same channel or the mouse would not be detected.



Federal Communications Commission (FCC) Statement

This equipment has been tested and found to comply with the limits for a Class B digital device, pursuant to Part 15 of the FCC Rules. These limits are designed to provide reasonable protection against harmful interference in a residential installation. This equipment generates, uses and can radiate radio frequency energy and, if not installed and used in accordance with the instruction, may cause harmful interference to radio communications. However, there is no guarantee that interference will not occur in a particular installation. If this equipment does cause harmful interference to radio or television reception, which can be determined by turning the equipment off and on, the user is encouraged to try to correct the interference by one or more of the following measures:

- Reorient or relocate the receiving antenna.
- Increase the separation between the equipment and receiver.
- Connect the equipment into an outlet on a circuit different from that to which the receiver is connected.
- Consult the dealer or an experienced radio / TV technician for help.

Warning : A shielded-type power cord is required in order to meet FCC emission limits and also to prevent interference to the nearby radio and television reception. It is essential that only the supplied power cord be used.

Use only shielded cables to connect I/O devices to this equipment.

You are cautioned that changes or modifications not expressly approved by the party responsible for compliance could void your authority to operate the equipment.