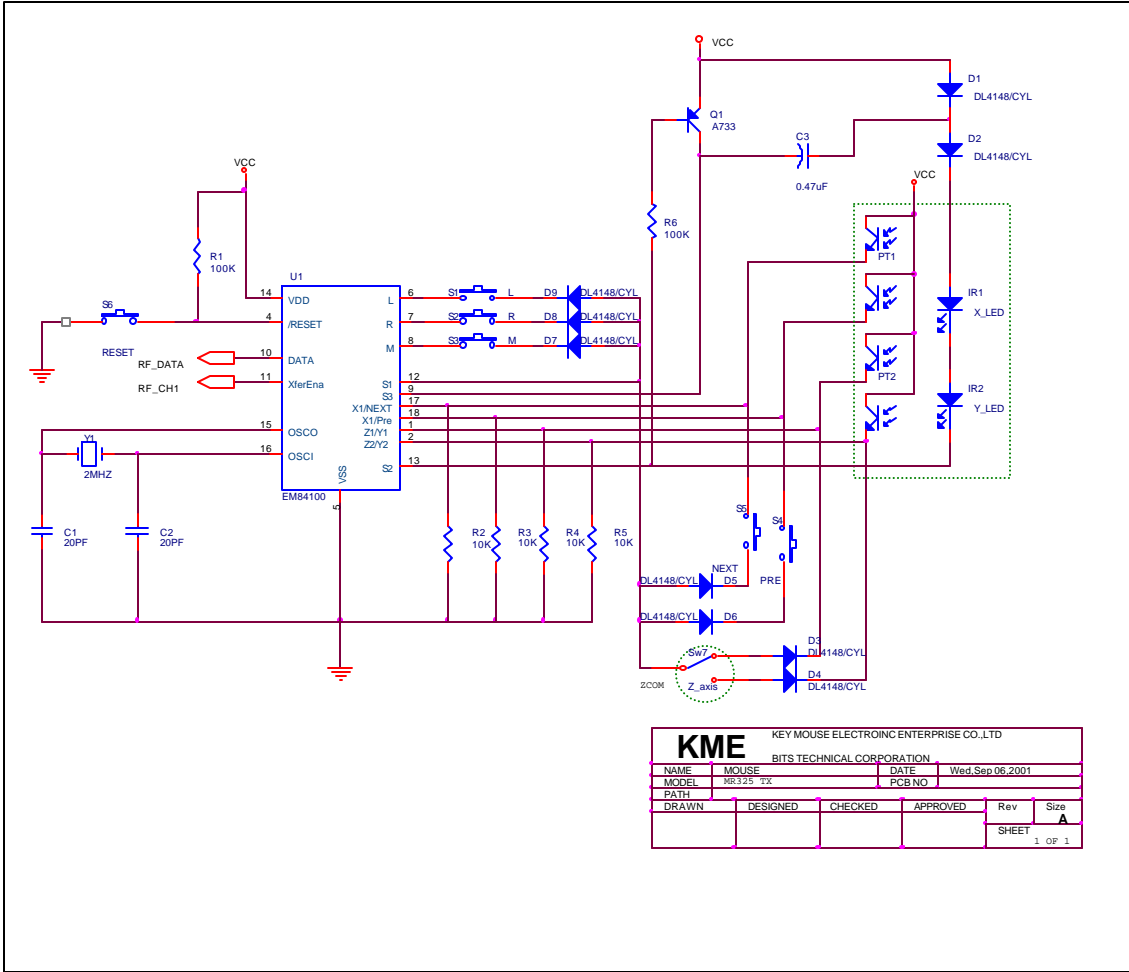
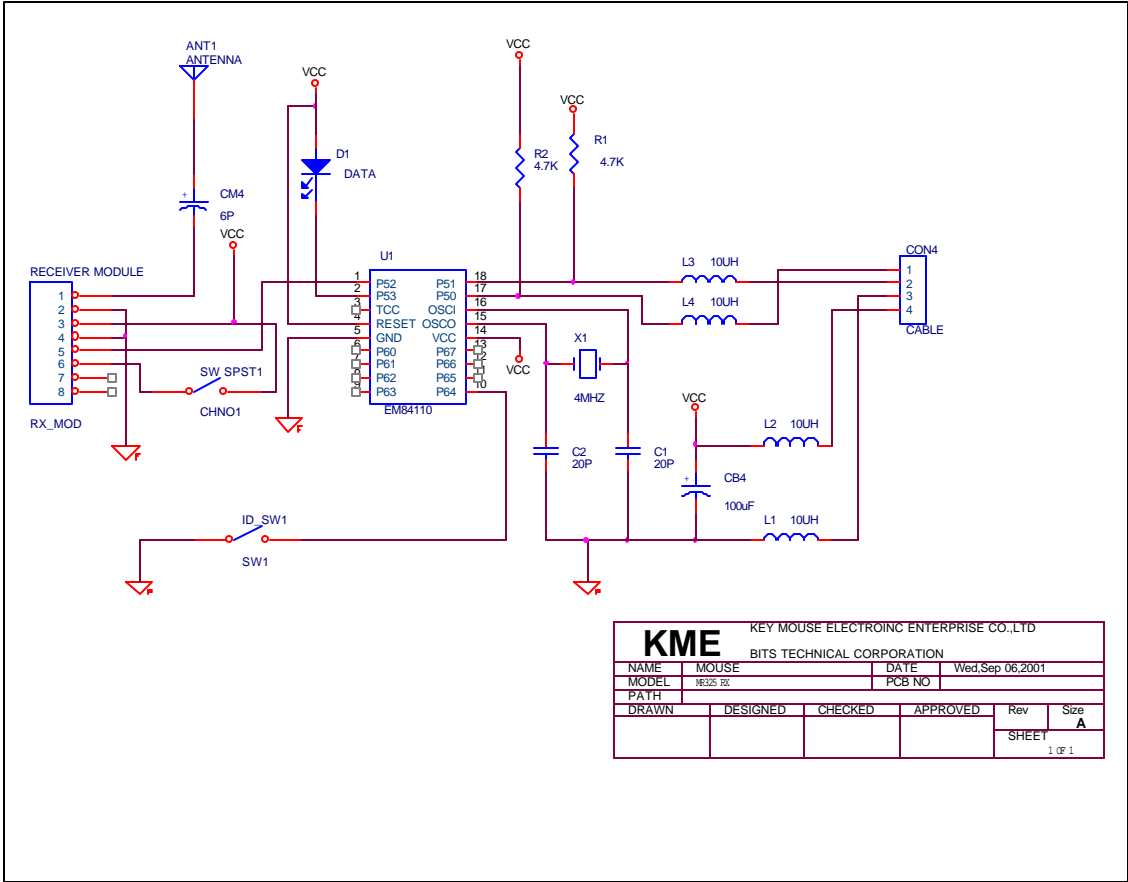


Appendix 2

Schematics



| | | | | | |
|---|----------|---------|-----------------|-------|--------|
| KME KEY MOUSE ELECTROINIC ENTERPRISE CO.,LTD | | | | | |
| BITS TECHNICAL CORPORATION | | | | | |
| NAME | MOUSE | DATE | Wed.Sep.06.2001 | | |
| MODEL | MR325 TX | PCB NO | | | |
| PATH | | | | | |
| DRAWN | DESIGNED | CHECKED | APPROVED | Rev | Size |
| | | | | | A |
| | | | | SHEET | 1 OF 1 |



| | | | | | |
|----------------------------|----------|---------|-------------------|---|----------|
| KME | | | | KEY MOUSE ELECTROINC ENTERPRISE CO.,LTD | |
| BITS TECHNICAL CORPORATION | | | | | |
| NAME | MOUSE | DATE | Wed, Sep 06, 2001 | | |
| MODEL | MR25 BX | PCB NO | | | |
| PATH | | | | | |
| DRAWN | DESIGNED | CHECKED | APPROVED | Rev | Size |
| | | | | | A |
| | | | | SHEET | |
| 1 OF 1 | | | | | |