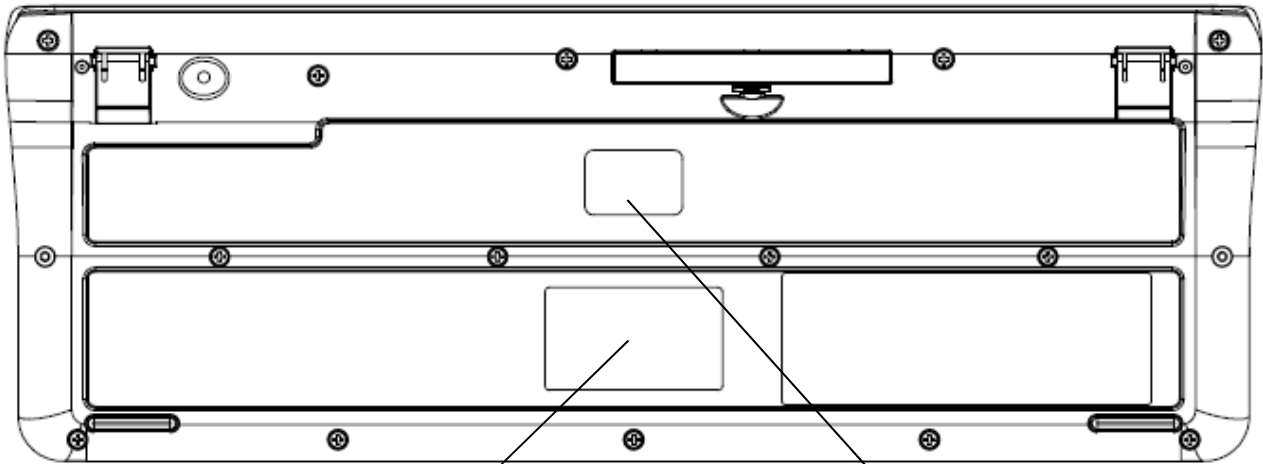


Label Location



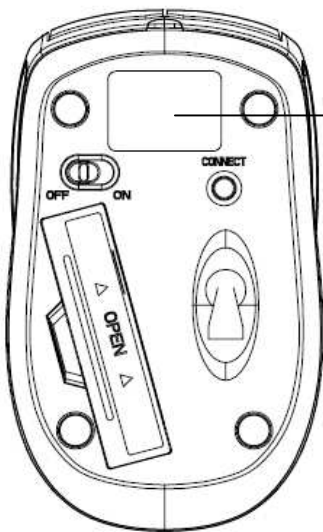
FCC ID: HQKKMEKA7A81MA
 This device complies with Part 15 of the FCC Rules. Operation is subject to the following two conditions: (1) This device may not cause harmful interference and (2) This device must accept any interference received, including interference that may cause undesired operation.

VOLTAGE/CURRENT : 3V = 10mA MAX

CE

0101020563196
 FCC ID: HQKKMEKA7A81MA
 KA-7A81
 3V-10mA
 MADE IN CHINA

CE



0601020563196
 FCC ID: HQKKMEMAC233MA
 MA-C233
 3V-30mA
 MADE IN CHINA

CE



0601020563196
 RG-G5 FCC ID: HQKKMERGG5MA

