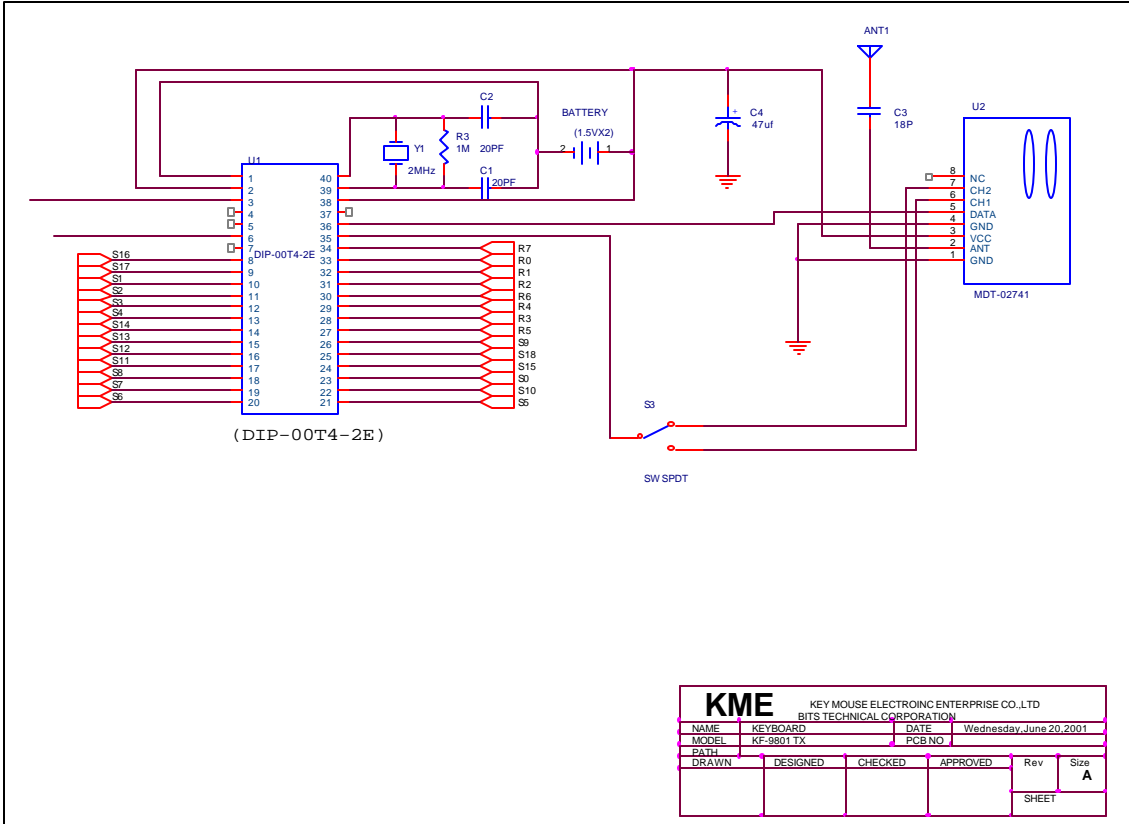
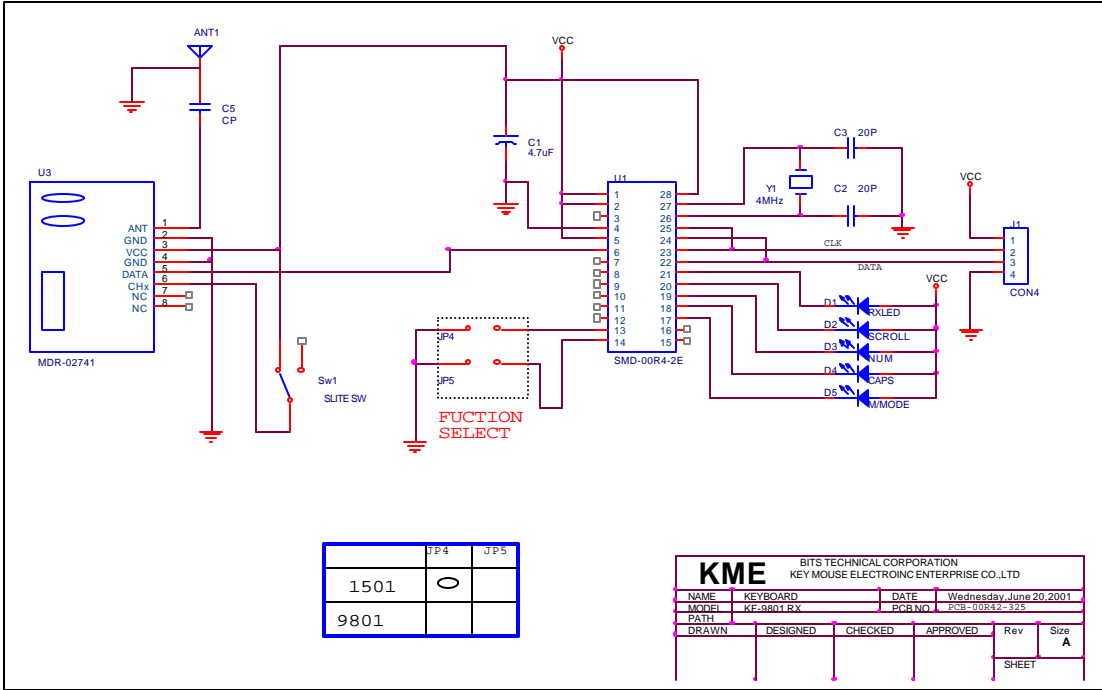


Appendix 2

Schematics



KME		KEY MOUSE ELECTROINC ENTERPRISE CO.,LTD	
BITS TECHNICAL CORPORATION			
NAME	KEYBOARD	DATE	Wednesday, June 20, 2001
MODEL	KF-9801 TX	PCB NO	
PATH			
DRAWN	DESIGNED	CHECKED	APPROVED
			Rev
			Size
			A
			SHEET



	FP4	JP5
1501	○	
9801		

KME				BITS TECHNICAL CORPORATION	
				KEY MOUSE ELECTROINC ENTERPRISE CO.,LTD	
NAME	KEYBOARD	DATE	Wednesday, June 20, 2001		
MODEL	KE-9801 RX	PCB NO	PCB-00842-325		
PATH					
DRAWN	DESIGNED	CHECKED	APPROVED	Rev	Size
					A
				SHEET	