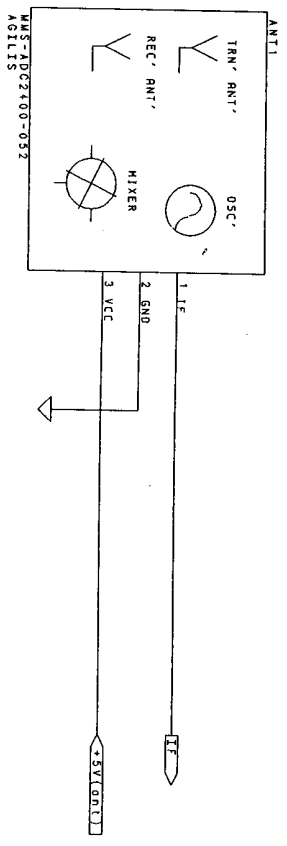


**JUMPER TABLE**

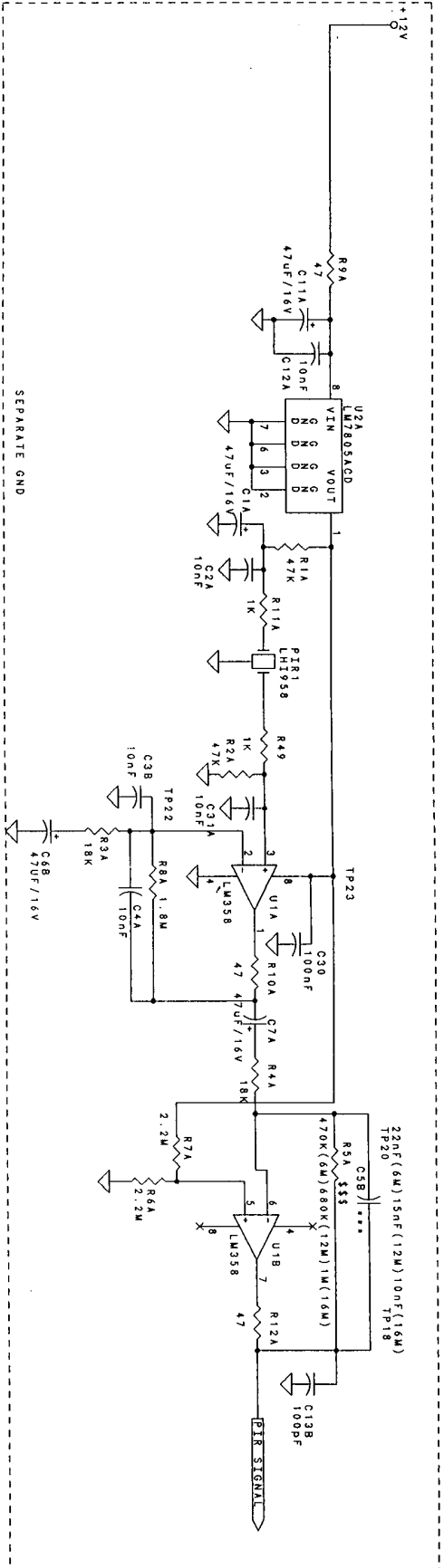
JUMPER	DEF.
1	2.75K/1.25K
2	2.75K/1.25K
3	2.75K/1.25K
4	2.75K/1.25K
5	2.75K/1.25K
6	2.75K/1.25K
7	2.75K/1.25K

- REMARKS**
1. THE CONNECTION BETWEEN P11 AND Q10 IS NOT APPEAR IN THE LIST OF THIS DESIGN.
  2. THE CONNECTION BETWEEN V(+5VDC) AND P24 IS NOT APPEAR IN THIS DESIGN.
  3. WE P11 IS CONNECTED TO Q10.
  4. IF USE THE Q10, Q11, Q12, Q13, Q14, Q15, Q16, Q17, Q18, Q19, Q20, Q21, Q22, Q23, Q24, Q25, Q26, Q27, Q28, Q29, Q30, Q31, Q32, Q33, Q34, Q35, Q36, Q37, Q38, Q39, Q40, Q41, Q42, Q43, Q44, Q45, Q46, Q47, Q48, Q49, Q50, Q51, Q52, Q53, Q54, Q55, Q56, Q57, Q58, Q59, Q60, Q61, Q62, Q63, Q64, Q65, Q66, Q67, Q68, Q69, Q70, Q71, Q72, Q73, Q74, Q75, Q76, Q77, Q78, Q79, Q80, Q81, Q82, Q83, Q84, Q85, Q86, Q87, Q88, Q89, Q90, Q91, Q92, Q93, Q94, Q95, Q96, Q97, Q98, Q99, Q100, Q101, Q102, Q103, Q104, Q105, Q106, Q107, Q108, Q109, Q110, Q111, Q112, Q113, Q114, Q115, Q116, Q117, Q118, Q119, Q120, Q121, Q122, Q123, Q124, Q125, Q126, Q127, Q128, Q129, Q130, Q131, Q132, Q133, Q134, Q135, Q136, Q137, Q138, Q139, Q140, Q141, Q142, Q143, Q144, Q145, Q146, Q147, Q148, Q149, Q150, Q151, Q152, Q153, Q154, Q155, Q156, Q157, Q158, Q159, Q160, Q161, Q162, Q163, Q164, Q165, Q166, Q167, Q168, Q169, Q170, Q171, Q172, Q173, Q174, Q175, Q176, Q177, Q178, Q179, Q180, Q181, Q182, Q183, Q184, Q185, Q186, Q187, Q188, Q189, Q190, Q191, Q192, Q193, Q194, Q195, Q196, Q197, Q198, Q199, Q200, Q201, Q202, Q203, Q204, Q205, Q206, Q207, Q208, Q209, Q210, Q211, Q212, Q213, Q214, Q215, Q216, Q217, Q218, Q219, Q220, Q221, Q222, Q223, Q224, Q225, Q226, Q227, Q228, Q229, Q230, Q231, Q232, Q233, Q234, Q235, Q236, Q237, Q238, Q239, Q240, Q241, Q242, Q243, Q244, Q245, Q246, Q247, Q248, Q249, Q250, Q251, Q252, Q253, Q254, Q255, Q256, Q257, Q258, Q259, Q260, Q261, Q262, Q263, Q264, Q265, Q266, Q267, Q268, Q269, Q270, Q271, Q272, Q273, Q274, Q275, Q276, Q277, Q278, Q279, Q280, Q281, Q282, Q283, Q284, Q285, Q286, Q287, Q288, Q289, Q290, Q291, Q292, Q293, Q294, Q295, Q296, Q297, Q298, Q299, Q300, Q301, Q302, Q303, Q304, Q305, Q306, Q307, Q308, Q309, Q310, Q311, Q312, Q313, Q314, Q315, Q316, Q317, Q318, Q319, Q320, Q321, Q322, Q323, Q324, Q325, Q326, Q327, Q328, Q329, Q330, Q331, Q332, Q333, Q334, Q335, Q336, Q337, Q338, Q339, Q340, Q341, Q342, Q343, Q344, Q345, Q346, Q347, Q348, Q349, Q350, Q351, Q352, Q353, Q354, Q355, Q356, Q357, Q358, Q359, Q360, Q361, Q362, Q363, Q364, Q365, Q366, Q367, Q368, Q369, Q370, Q371, Q372, Q373, Q374, Q375, Q376, Q377, Q378, Q379, Q380, Q381, Q382, Q383, Q384, Q385, Q386, Q387, Q388, Q389, Q390, Q391, Q392, Q393, Q394, Q395, Q396, Q397, Q398, Q399, Q400, Q401, Q402, Q403, Q404, Q405, Q406, Q407, Q408, Q409, Q410, Q411, Q412, Q413, Q414, Q415, Q416, Q417, Q418, Q419, Q420, Q421, Q422, Q423, Q424, Q425, Q426, Q427, Q428, Q429, Q430, Q431, Q432, Q433, Q434, Q435, Q436, Q437, Q438, Q439, Q440, Q441, Q442, Q443, Q444, Q445, Q446, Q447, Q448, Q449, Q450, Q451, Q452, Q453, Q454, Q455, Q456, Q457, Q458, Q459, Q460, Q461, Q462, Q463, Q464, Q465, Q466, Q467, Q468, Q469, Q470, Q471, Q472, Q473, Q474, Q475, Q476, Q477, Q478, Q479, Q480, Q481, Q482, Q483, Q484, Q485, Q486, Q487, Q488, Q489, Q490, Q491, Q492, Q493, Q494, Q495, Q496, Q497, Q498, Q499, Q500, Q501, Q502, Q503, Q504, Q505, Q506, Q507, Q508, Q509, Q510, Q511, Q512, Q513, Q514, Q515, Q516, Q517, Q518, Q519, Q520, Q521, Q522, Q523, Q524, Q525, Q526, Q527, Q528, Q529, Q530, Q531, Q532, Q533, Q534, Q535, Q536, Q537, Q538, Q539, Q540, Q541, Q542, Q543, Q544, Q545, Q546, Q547, Q548, Q549, Q550, Q551, Q552, Q553, Q554, Q555, Q556, Q557, Q558, Q559, Q560, Q561, Q562, Q563, Q564, Q565, Q566, Q567, Q568, Q569, Q570, Q571, Q572, Q573, Q574, Q575, Q576, Q577, Q578, Q579, Q580, Q581, Q582, Q583, Q584, Q585, Q586, Q587, Q588, Q589, Q590, Q591, Q592, Q593, Q594, Q595, Q596, Q597, Q598, Q599, Q600, Q601, Q602, Q603, Q604, Q605, Q606, Q607, Q608, Q609, Q610, Q611, Q612, Q613, Q614, Q615, Q616, Q617, Q618, Q619, Q620, Q621, Q622, Q623, Q624, Q625, Q626, Q627, Q628, Q629, Q630, Q631, Q632, Q633, Q634, Q635, Q636, Q637, Q638, Q639, Q640, Q641, Q642, Q643, Q644, Q645, Q646, Q647, Q648, Q649, Q650, Q651, Q652, Q653, Q654, Q655, Q656, Q657, Q658, Q659, Q660, Q661, Q662, Q663, Q664, Q665, Q666, Q667, Q668, Q669, Q670, Q671, Q672, Q673, Q674, Q675, Q676, Q677, Q678, Q679, Q680, Q681, Q682, Q683, Q684, Q685, Q686, Q687, Q688, Q689, Q690, Q691, Q692, Q693, Q694, Q695, Q696, Q697, Q698, Q699, Q700, Q701, Q702, Q703, Q704, Q705, Q706, Q707, Q708, Q709, Q710, Q711, Q712, Q713, Q714, Q715, Q716, Q717, Q718, Q719, Q720, Q721, Q722, Q723, Q724, Q725, Q726, Q727, Q728, Q729, Q730, Q731, Q732, Q733, Q734, Q735, Q736, Q737, Q738, Q739, Q740, Q741, Q742, Q743, Q744, Q745, Q746, Q747, Q748, Q749, Q750, Q751, Q752, Q753, Q754, Q755, Q756, Q757, Q758, Q759, Q760, Q761, Q762, Q763, Q764, Q765, Q766, Q767, Q768, Q769, Q770, Q771, Q772, Q773, Q774, Q775, Q776, Q777, Q778, Q779, Q780, Q781, Q782, Q783, Q784, Q785, Q786, Q787, Q788, Q789, Q790, Q791, Q792, Q793, Q794, Q795, Q796, Q797, Q798, Q799, Q800, Q801, Q802, Q803, Q804, Q805, Q806, Q807, Q808, Q809, Q810, Q811, Q812, Q813, Q814, Q815, Q816, Q817, Q818, Q819, Q820, Q821, Q822, Q823, Q824, Q825, Q826, Q827, Q828, Q829, Q830, Q831, Q832, Q833, Q834, Q835, Q836, Q837, Q838, Q839, Q840, Q841, Q842, Q843, Q844, Q845, Q846, Q847, Q848, Q849, Q850, Q851, Q852, Q853, Q854, Q855, Q856, Q857, Q858, Q859, Q860, Q861, Q862, Q863, Q864, Q865, Q866, Q867, Q868, Q869, Q870, Q871, Q872, Q873, Q874, Q875, Q876, Q877, Q878, Q879, Q880, Q881, Q882, Q883, Q884, Q885, Q886, Q887, Q888, Q889, Q890, Q891, Q892, Q893, Q894, Q895, Q896, Q897, Q898, Q899, Q900, Q901, Q902, Q903, Q904, Q905, Q906, Q907, Q908, Q909, Q910, Q911, Q912, Q913, Q914, Q915, Q916, Q917, Q918, Q919, Q920, Q921, Q922, Q923, Q924, Q925, Q926, Q927, Q928, Q929, Q930, Q931, Q932, Q933, Q934, Q935, Q936, Q937, Q938, Q939, Q940, Q941, Q942, Q943, Q944, Q945, Q946, Q947, Q948, Q949, Q950, Q951, Q952, Q953, Q954, Q955, Q956, Q957, Q958, Q959, Q960, Q961, Q962, Q963, Q964, Q965, Q966, Q967, Q968, Q969, Q970, Q971, Q972, Q973, Q974, Q975, Q976, Q977, Q978, Q979, Q980, Q981, Q982, Q983, Q984, Q985, Q986, Q987, Q988, Q989, Q990, Q991, Q992, Q993, Q994, Q995, Q996, Q997, Q998, Q999, Q1000.

ALL LTD BY BAR STANDARDS  
 ATLAS WIRE BOARD (212M MIC) (6/17/1980)  
 PROGRAM NUMBER 5087364  
 SHEET NO. 1/10

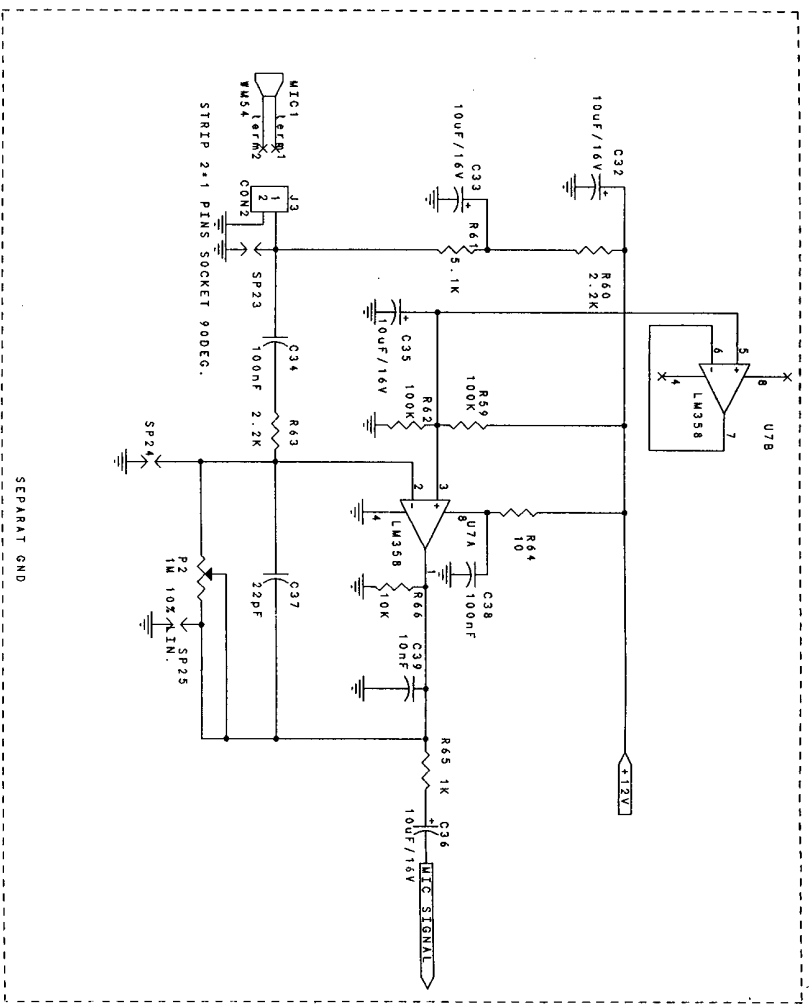


E. L. LTD. BY BAR STRAUSS	
TITLE	
AGILIS ANTENNA	
SIZE Document Number	
B	REV
Date: April 17, 1997	Sheet 3 of 3



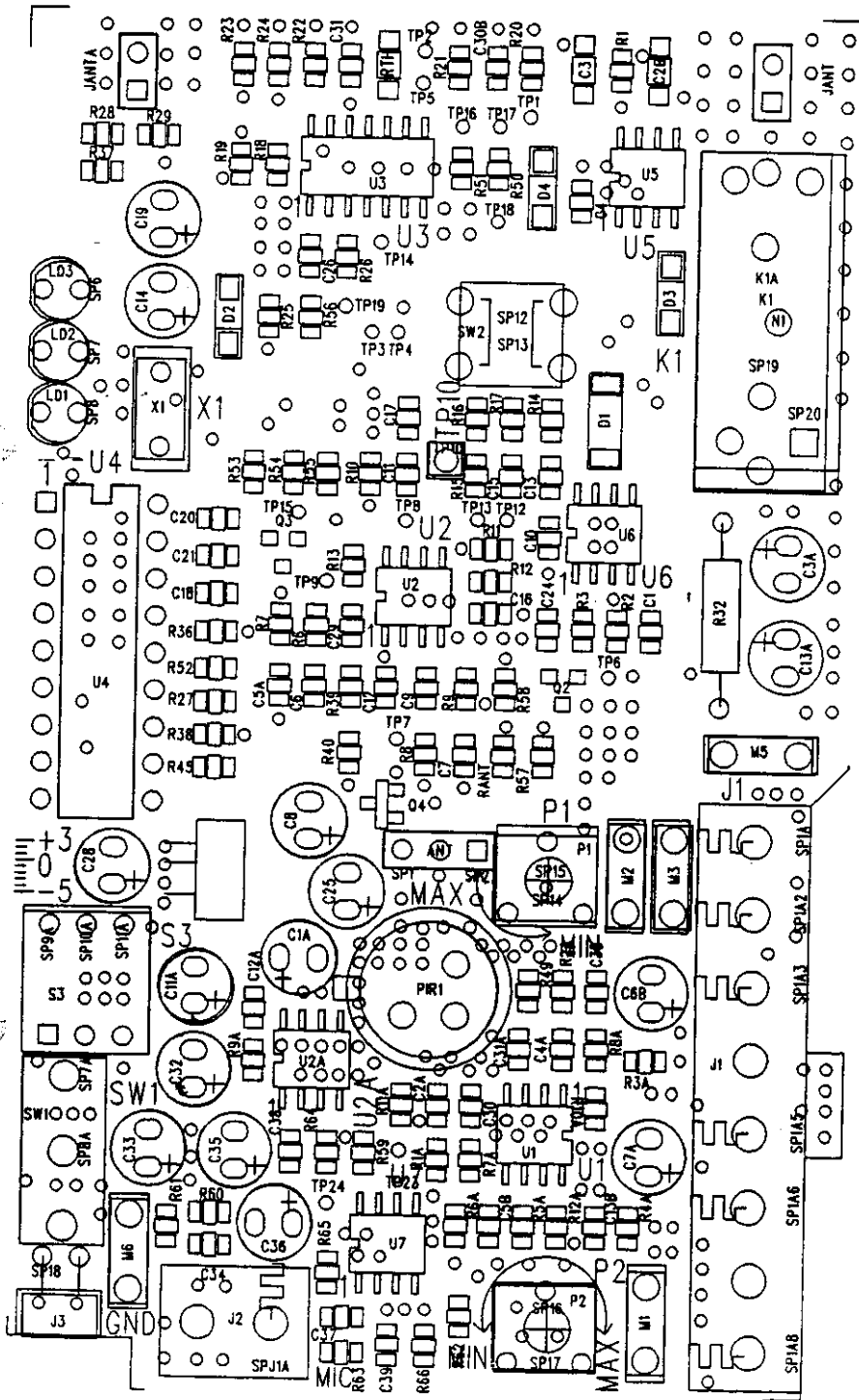
E. L. LTD. BY BAR STRAUSS	
TITLE: DUAL PIR (6/12/16M)	
SIZE: Document Number	3087006
REV: B	D
DATE: March 23, 1998	Sheet 2 of 3

P.5-2c



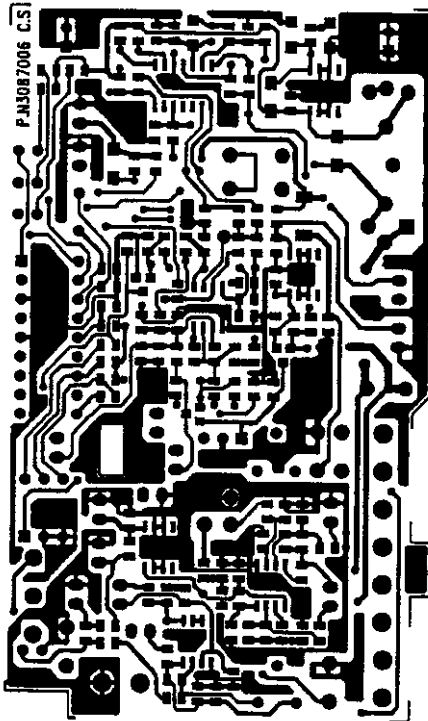
Electronics Line (E.L.) Ltd.	
58 Amal St. Kiryat Arze, Patach Tikva	
I S R A E L	
Title	
MICROPHONE CIRCUIT	
Size	Document Number
B	2087006
Date:	March 23, 1981 Sheet
	5 of 5

P. 5-2d

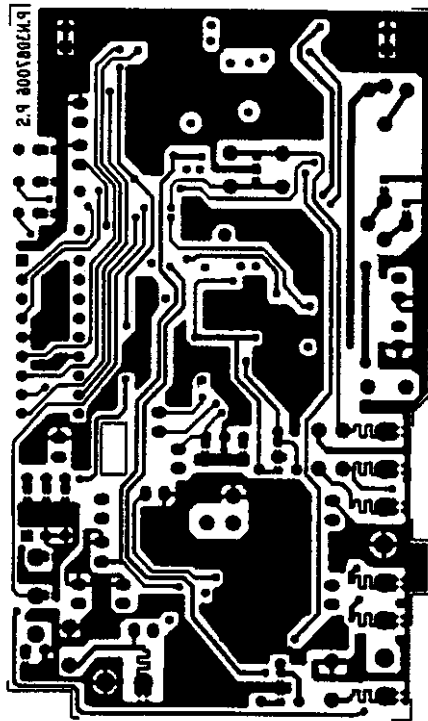


ATLAS P.N 3087006

atlas34.job - Tue Mar 31 09:41:29 1998



ATLAS P.N 3087006



ATLAS P.N 3087006