

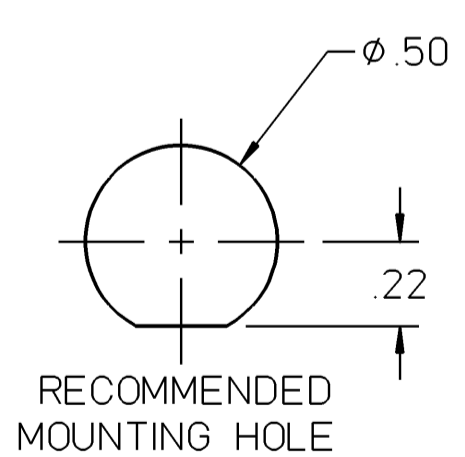
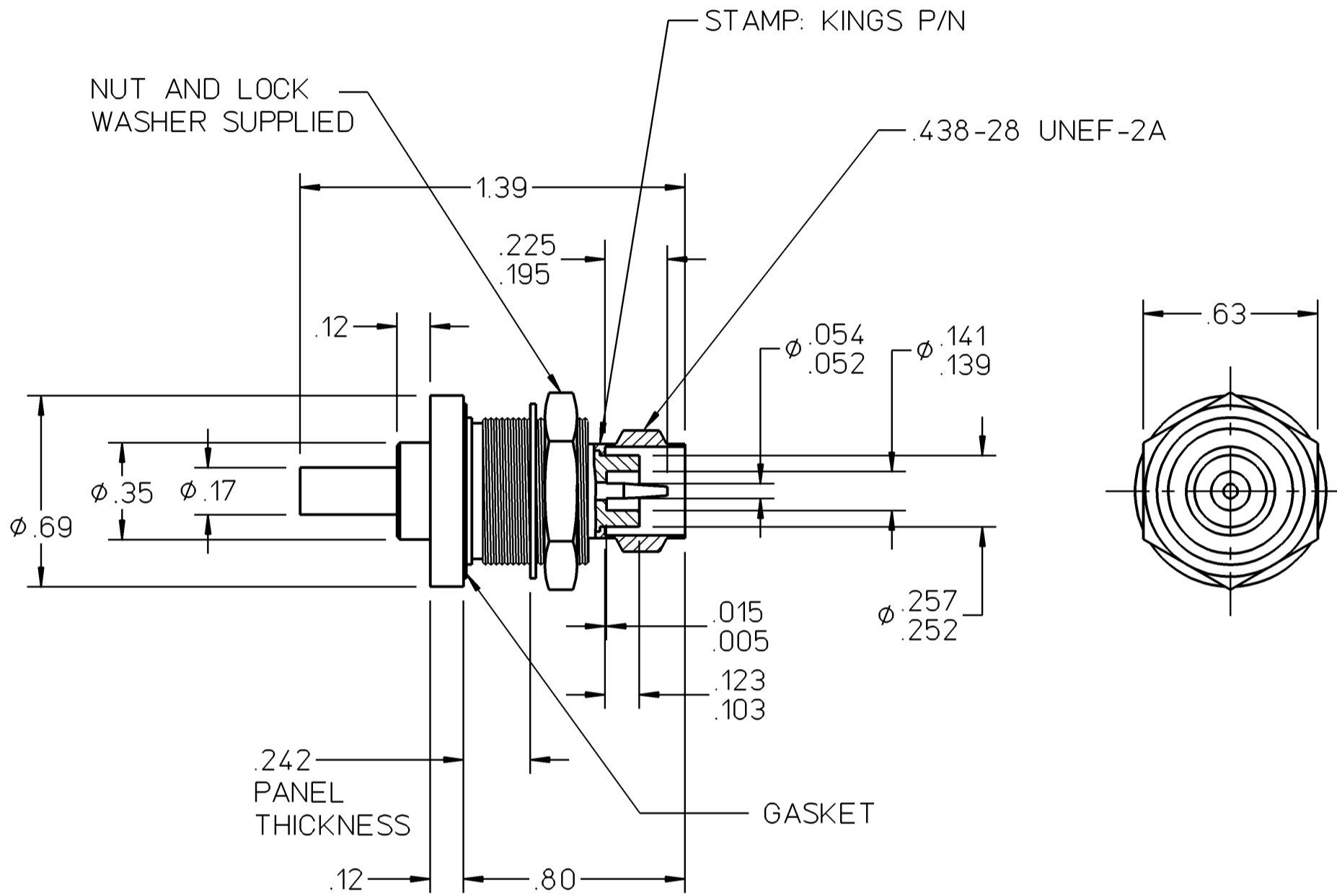
APPROVED SOURCE(S)
OF SUPPLY

SUPPLIER	PART NUMBER
1. KINGS ELECTRONICS	372-6-9
2.	
3.	
4.	

					REVISION	REV STATUS OF SHEETS	REVISIONS		
5	4	3	2	1	SHEET	REV	DESCRIPTION	DATE	DRAWN & APPROVED
						C	-002 PER ECN 027402	03-30-98	J.LEE RCH

NOTES: UNLESS OTHERWISE SPECIFIED

- MATERIALS:
INSULATORS: TEFLON, ASTM-D-1457
GASKET: SILICONE RUBBER, ZZ-R-765
K-GRIP SLEEVE: COMMERCIAL BRONZE TUBE, ALLOY 220
CENTER CONTACT: BERYLLIUM COPPER, ASTM-B-196
LOCKWASHER: PHOSPHOR BRONZE, QQ-B-750
ALL OTHER METAL PARTS: BRASS, ASTM-B16
- FINISHES:
CENTER CONTACTS: GOLD PLATE PER MIL-G-45204
ALL OTHER METAL PARTS: KINGS TARNISH RESISTANT FINISH (TR-5)
- FOR USE WITH RG-174, 179, 187 AND 188/U CABLES.
- FOR CABLING INSTRUCTIONS SEE KINGS 3-590.
- REMOVED.
- FOR CRIMPING USE KINGS DIE KTH-2006.
- INTERFACE PER MIL-STD-348, FIG. 313-1 (AS APPLICABLE).
- ELECTRICAL CHARACTERISTICS:
NOMINAL IMPEDANCE: 50 OHMS
WORKING VOLTAGE: 500 VRMS
FREQUENCY RANGE: DC TO 11 GHZ
DIELECTRIC WITHSTANDING VOLTAGE: 1500 VOLTS RMS.
INSULATION RESISTANCE: 5000 MEGOHMS.
VSWR: 1.50 MAX. AT 2.5 GHZ.
CONTACT RESISTANCE: CENTER CONTACTS 1.5 MILLIOHMS
OUTER CONTACTS .2 MILLIOHMS
INSERTION LOSS: .18dB MAX AT 9 GHZ.
- TWO CRIMP FERRULES FOR BFA AND OSMT SPACER & TUBE SUPPLIED LOOSE IN BAG.
- REQUIRED FOR ASSY OF OSMT COAXIAL CABLE, 582273. CALBE NOT RECOMMENDED FOR USE ABOVE 2.5 GHZ.



- ⊙ SPACER, TEFLON
KINGS #1-1689-11M99
- ▬ TUBE, BRASS
KINGS #1-7968-1M07

-002

SOURCE CONTROL DRAWING

NOTICE
THIS DRAWING SHALL NOT BE DUPLICATED OR USED FOR ANY PURPOSE OTHER THAN THAT FOR WHICH PROVIDED. THE INFORMATION DISCLOSED HEREIN ORIGINATED BY AND IS THE PROPERTY OF INTERMEC CORPORATION AND EXCEPT FOR RIGHTS EXPRESSLY GRANTED BY WRITTEN CONSENT, SUCH INFORMATION SHALL NOT BE DISCLOSED OR DISSEMINATED WHOLE OR IN PART. INTERMEC CORPORATION RESERVES ALL PATENT, PROPRIETARY, DESIGN, USE, SALE, MANUFACTURING AND REPRODUCTION RIGHTS THERETO.

CAD DB.REF-R.058905.1.c SYSTEM - HP/ME30				UNLESS OTHERWISE SPECIFIED, DIMENSIONS ARE IN INCHES.		APPROVALS		DATE		Intermec		6001 36TH AVENUE WEST EVERETT, WA 98203-9280	
.XX ± .02		.XXX ± .010		ANGLES ±		DRAWN D.HAGAN		11-19-92		TITLE		CONNECTOR, BULKHEAD, TNC JACK	
						CHECKED R.HOAGLUND		11-19-92		RESP ENG M.SHAVER		11-24-92	
						QA K.CANTRELL		11-19-92		SIZE		C	
						MFG ENG R.KALAPINSKI		11-20-92		CAGE CODE		33825	
						SAC P.HELTON		11-23-92		DRAWING NUMBER		058905	
						SCALE		2/1		REV		C	
										SHEET		1 OF 1	