

RM182 Host Device and Antenna List

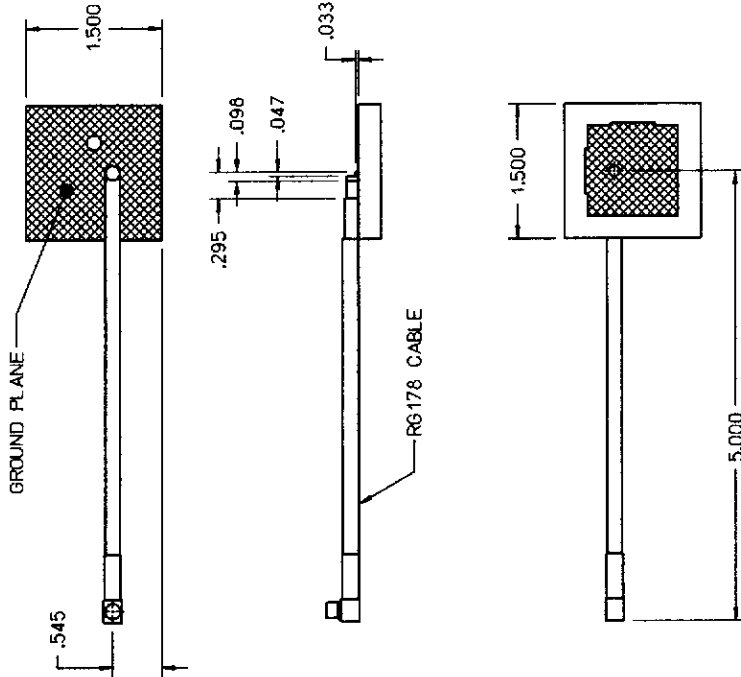
The table below shows the different host devices Model RM182 radio module will be integrated into and the antennas that will be used in conjunction with those hosts. Drawings showing specifications and pictures of the antennas are filed in a separate exhibit.

Host Device	Function	Antenna	Part Number	Gain (dBi)
Model 2415	Handheld Terminal	Patch	590995	4.5
		Patch/Dipole	069769 (*)	0
Model T2425	Handheld Terminal	Tuned Dipole	063825	1.5
Model T2455	Vehicle Mount Terminal	Tuned Dipole	066147	1.0
Model T2485/86	Stationary Terminal	Same as Model T2455	See Model T2455	See Model T2455
Model 5020	Handheld Data Collection Computer	Tuned Dipole	066619	1.5
Model 5055	Vehicle Mount Data Collection Computer	Tuned Dipole	805-544 (*)	2.0
Model 6400	Handheld Data Collection Computer	Same as Model 2415	See Model 2415	See Model 2415
Model 2100	Access Point	Same as Model T2455	See Model T2455	See Model T2455
		Omni	065349 (*)	9
		Omni	063363	5
		Patch	067262	5
		Patch	067263 (*)	9
		Patch	067261	3

Host Device	Function	Antenna	Part Number	Gain (dBi)
Model 2101	Access Point	Same antennas as Model 2100	See Model 2100	See Model 2100
		Tuned Dipole	069753	1.5
Model 2102	Access Point	Tuned Dipole	070142	1.5
Model 6110	Handheld Data Collection Computer	Same as Model 5055	See Model 5055	See Model 5055
Model 6640	PenKey Data Collection Computer	Same as Model 5055	See Model 5055	See Model 5055
Model 6650	PenKey Data Collection Computer	Same as Model 5055	See Model 5055	See Model 5055

(*) marked antennas have been tested for spurious emissions and EIRP, since these are the highest gain representative of each antenna type.

APPROVED SOURCE(S) OF SUPPLY	
SUPPLIER	PART NUMBER
1. RADIAL	R380.500.010
2.	
3.	
4.	
5.	
6.	



SOURCE CONTROL DRAWING

CAD DB:REF- 590995.1.b

UNLESS OTHERWISE SPECIFIED, DIMENSIONS ARE IN INCHES.

.XXX * .010 ANGLES * .XX *

NOTICE
THIS DRAWING SHALL NOT BE DUPLICATED OR USED FOR ANY PURPOSE OTHER THAN THAT FOR WHICH PROVIDED. THE INFORMATION DISCLOSED HEREIN ORIGINATED BY AND IS THE PROPERTY OF INTERMEC TECHNOLOGIES CORPORATION AND EXCEPT FOR RIGHTS EXPRESSLY GRANTED BY WRITTEN CONSENT, SUCH INFORMATION SHALL NOT BE DISCLOSED OR DISSEMINATED WHOLE OR IN PART. INTERMEC TECHNOLOGIES CORPORATION RESERVES ALL PATENT, PROPRIETARY, DESIGN, USE, SALE, MANUFACTURING AND REPRODUCTION RIGHTS THERE TO.

-001

REV	DESCRIPTION	DATE	DRAWN & APPROVED
B	-001 RELEASED AT REV B		

NOTES: UNLESS OTHERWISE SPECIFIED

- REFER TO THE MANUFACTURER'S SPECIFICATIONS FOR COMPLETE DESIGN PARAMETERS.
- MINIMUM MARKING REQUIREMENTS SHALL CONSIST OF THE MANUFACTURER'S PART NUMBER AND ID.
- CHANGES REQUIRE SAC APPROVAL.

- SPECIFICATIONS:
CENTER FREQUENCY: 2480 MHZ
FREQ BANDWIDTH: 100 MHZ
NOM IMPEDANCE: 50 OHM
VSWR: 2:1 MAX
GAIN: 4.5 dB MIN @ ZENITH
3 dB BEAMWIDTH: 85°
FRONT TO BACK RATIO: 14 dB MIN
POLARISATION: VERTICAL
CERAMIC CHARACTERISTICS: POROSITY: 0
PERMITTIVITY: 6
LOSS FACTOR: 0.002 MAX
CONNECTOR TYPE: MMCX RIGHT ANGLE PLUG

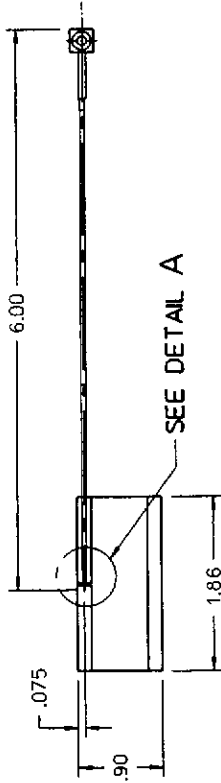
APPROVALS	DATE	Intermec Technologies Corporation	
DRAWN R.HOAGLUND	03-15-99	6001 36TH AVENUE WEST EVERETT, WA 98203-9280	
CHECKED J.LEE	03-29-99	TITLE ANTENNA, MICROPATCH, SINGLE MMCX	
RESP ENG T.BENSON	04-01-99	SIZE	CAGE CODE
OA		04-13-99	DRAWING NUMBER
MFG ENG V.LORD	04-13-99	C	590995
SAC K.EROGU	03-29-99	SCALE	NONE
CE/ID R.KELLY	04-02-99	SHEET	1 OF 1

APPROVED SOURCE(S) OF SUPPLY

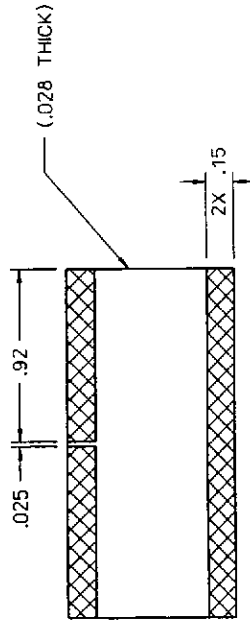
SUPPLIER PART NUMBER

1. LODAN 008934

2.
3.
4.
5.
6.

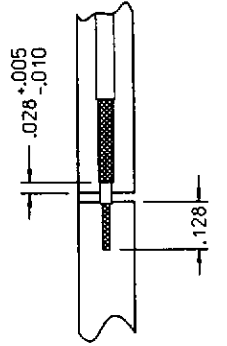


SEE DETAIL A



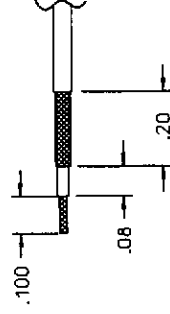
DETAIL B

SCALE: 2/1



DETAIL A

SCALE: 4/1



STRIP LENGTH

SCALE: 4/1

SOURCE CONTROL DRAWING

CAD DBREF - 069769.1.d

SYSTEM - HP

UNLESS OTHERWISE SPECIFIED, DIMENSIONS ARE IN INCHES.

.XX * .02

.XXX * .010

ANGLES ±

-001

NOTICE

THIS DRAWING SHALL NOT BE DUPLICATED OR USED FOR ANY PURPOSE OTHER THAN THAT FOR WHICH PROVIDED. THE INFORMATION DISCLOSED HEREIN ORIGINATED BY AND IS THE PROPERTY OF INTERMEC TECHNOLOGIES CORPORATION AND EXCEPT FOR RIGHTS EXPRESSLY GRANTED BY WRITTEN CONSENT, SUCH INFORMATION SHALL NOT BE DISCLOSED OR DISSEMINATED WHOLE OR IN PART. INTERMEC TECHNOLOGIES CORPORATION RESERVES ALL PATENT, PROPRIETARY, DESIGN, USE, SALE, MANUFACTURING AND REPRODUCTION RIGHTS THERE TO.

REV	DESCRIPTION	DATE	DRAWN & APPROVED
C	-001 RELEASED AT REV C		
D	-001 PER ECN 100871	09-23-99	R.HOAGLUND GMO

NOTES: UNLESS OTHERWISE SPECIFIED

- SPECIFICATIONS:
FREQUENCY: 2.5-2.5 GHz
VSWR: 2:1 (RL 10dB)
GAIN: ~ 0dB
IMPEDENCE: 50 OHMS OMNIDIRECTIONAL
- BAG PARTS 25 MAX PER BAG AND MARK BAG WITH 069769 AND DASH NUMBER TO WHICH MANUFACTURED PER SPECIFICATION 606427.
- CHANGES REQUIRE SAC APPROVAL.
- HATCHED AREAS TO BE COPPER. SEE DETAIL B.
- CONNECTOR TYPE: MIMCX RIGHT ANGLE PLUG.

APPROVALS	DATE	TITLE
DRAWN R.HOAGLUND	06-15-99	ANTENNA, DIPOLE, PCB
CHECKED G.RAVEN	06-23-99	
RESP ENG RGUICHARD	06-25-99	
QA R.WOJITULEWICZ	06-25-99	
MFG ENG V.LORD	06-25-99	
SAC PHELTON	06-24-99	SIZE CAGE CODE
CE/NO	RKELLY 06-30-99	DRAWING NUMBER
		069769
		SCALE 1/1
		SHEET 1 OF 1

Intermec
Technologies Corporation

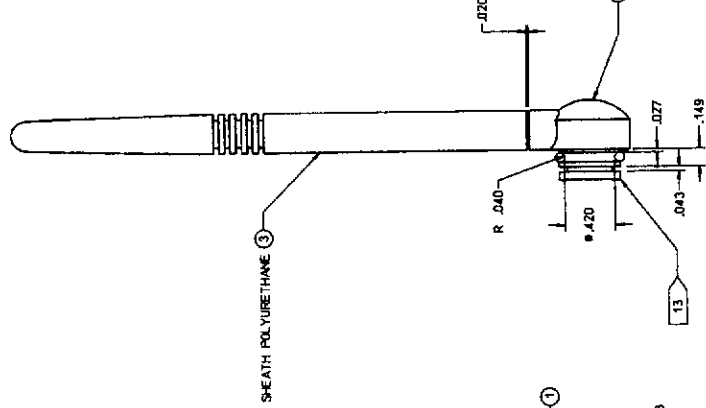
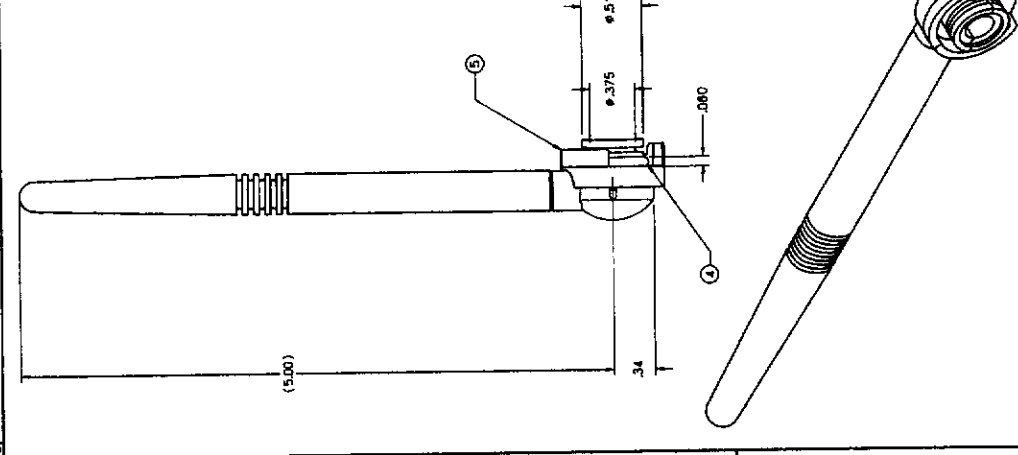
6001 36TH AVENUE WEST
EVERETT, WA 98203-9280

ANTENNA, DIPOLE, PCB

SIZE CAGE CODE
DRAWING NUMBER
069769

SHEET 1 OF 1

APPROVED SOURCE(S) OF SUPPLY	
SUPPLIER	PART NUMBER
1. CENTURION	CAF 23792
2.	
3.	
4.	
5.	
6.	



REV	DESCRIPTION	DATE	REVISIONS
D	ADD PER EGN 0257161	8-12-96	0 BRAVEN RCH
E	SEE SEPARATE PARTS LIST	10-16-98	0 BRAVEN RCH
F	SEE SEPARATE PARTS LIST	10-16-98	0 BRAVEN RCH
G	SEE SEPARATE PARTS LIST	1-16-99	0 DUSTAD RCH

- NOTES UNLESS OTHERWISE SPECIFIED
- FILLETS AND EDGE RADI TO BE R .010 MAXIMUM.
 - DIMENSIONS APPLY AT MAXIMUM DRAFT.
 - SPECIFICATIONS:
 - INDUCTIVE RANGE: 2.4-2.4835 GHz.
 - BANDWIDTH: 15.0 MHz.
 - IMPEDANCE: 50 OHMS.
 - VSWR ACROSS THE BAND < 1.5:1.
 - POWER RATING: 1 WATT MAX.
 - OPERATING TEMPERATURE: -40° C TO 65° C @95% RH.
 - MECHANICAL REQUIREMENTS:
 - FLEXING: 100 CYCLES AT 90° IN TWO DIRECTIONS PERPENDICULAR TO THE CENTERLINE AXIS OF THE CONNECTOR.
 - PULL TEST: 30 LB.
 - TORQUE TEST: 15 IN-LB.
 - CORROSION TEST: 24 HOURS WITH 5% NaCl @85° C.
 - MECHANICAL VIBRATION: 10 G RMS FOR 1 HOUR CHARACTERISTICS.
 - SHEATH TO CONNECTOR: 1.00 INCH PER MINUTE.
 - 1 Hz TO 3 Hz: CONSTANT DISPLACEMENT OF ONE INCH PEAK TO PEAK.
 - 3 Hz TO 1000 KHz: CONSTANT ACCELERATION OF 1.5 G's.
 - COSMETIC REQUIREMENTS PER SPECIFICATION 044656.
 - APPENDIX A, CATEGORY 1, CLASS A (EXTERNAL SURFACES ONLY).
 - EXTERIOR SURFACE PER MOLD TECH 11010 OR EQUIVALENT.
 - BULK PACKAGE PARTS (MAXIMUM 100 PARTS PER CONTAINER) TO PROVIDE ADEQUATE PROTECTION AGAINST SHIPPING DAMAGE AND MARK PACKAGE WITH 063825 AND DASH NUMBER TO WHICH MANUFACTURED PER SPECIFICATION 606427.
 - PARTING LINE FLASH .005 MAXIMUM.
 - DATE REMAINANT .020 MAXIMUM.
 - PART TO BE FREE OF MOLD RELEASE.
 - CHANGES REQUIRE SAC APPROVAL.
 - SEE CAD GENERATED WIRE FRAME AND CRUSOLD MODEL. PART NUMBER 063825-005 FOR ADDITIONAL FEATURE DETAILS. ALL FEATURES AND DIMENSIONS DEFINED AS SHOWN IN THIS DRAWING UNLESS OTHERWISE SPECIFIED BY THE MODEL. THIS PART REQUIRES AN AES FILE.

CLIP, ITEM 5 NOT SHOWN IN VIEW FOR DIMENSION CLARITY.

SOURCE CONTROL DRAWING
SEE SEPARATE PARTS LIST FOR 063825-005

CAD DREF: 063825.1g	
DATE	3-12-98
DESIGNED BY	PHILTON
CHECKED BY	PHILTON
DATE	3-12-98
APPROVAL 1	DATE
APPROVAL 2	DATE
APPROVAL 3	DATE
APPROVAL 4	DATE
APPROVAL 5	DATE
APPROVAL 6	DATE
APPROVAL 7	DATE
APPROVAL 8	DATE
APPROVAL 9	DATE
APPROVAL 10	DATE
APPROVAL 11	DATE
APPROVAL 12	DATE
APPROVAL 13	DATE
APPROVAL 14	DATE
APPROVAL 15	DATE
APPROVAL 16	DATE
APPROVAL 17	DATE
APPROVAL 18	DATE
APPROVAL 19	DATE
APPROVAL 20	DATE
APPROVAL 21	DATE
APPROVAL 22	DATE
APPROVAL 23	DATE
APPROVAL 24	DATE
APPROVAL 25	DATE
APPROVAL 26	DATE
APPROVAL 27	DATE
APPROVAL 28	DATE
APPROVAL 29	DATE
APPROVAL 30	DATE
APPROVAL 31	DATE
APPROVAL 32	DATE
APPROVAL 33	DATE
APPROVAL 34	DATE
APPROVAL 35	DATE
APPROVAL 36	DATE
APPROVAL 37	DATE
APPROVAL 38	DATE
APPROVAL 39	DATE
APPROVAL 40	DATE
APPROVAL 41	DATE
APPROVAL 42	DATE
APPROVAL 43	DATE
APPROVAL 44	DATE
APPROVAL 45	DATE
APPROVAL 46	DATE
APPROVAL 47	DATE
APPROVAL 48	DATE
APPROVAL 49	DATE
APPROVAL 50	DATE
APPROVAL 51	DATE
APPROVAL 52	DATE
APPROVAL 53	DATE
APPROVAL 54	DATE
APPROVAL 55	DATE
APPROVAL 56	DATE
APPROVAL 57	DATE
APPROVAL 58	DATE
APPROVAL 59	DATE
APPROVAL 60	DATE
APPROVAL 61	DATE
APPROVAL 62	DATE
APPROVAL 63	DATE
APPROVAL 64	DATE
APPROVAL 65	DATE
APPROVAL 66	DATE
APPROVAL 67	DATE
APPROVAL 68	DATE
APPROVAL 69	DATE
APPROVAL 70	DATE
APPROVAL 71	DATE
APPROVAL 72	DATE
APPROVAL 73	DATE
APPROVAL 74	DATE
APPROVAL 75	DATE
APPROVAL 76	DATE
APPROVAL 77	DATE
APPROVAL 78	DATE
APPROVAL 79	DATE
APPROVAL 80	DATE
APPROVAL 81	DATE
APPROVAL 82	DATE
APPROVAL 83	DATE
APPROVAL 84	DATE
APPROVAL 85	DATE
APPROVAL 86	DATE
APPROVAL 87	DATE
APPROVAL 88	DATE
APPROVAL 89	DATE
APPROVAL 90	DATE
APPROVAL 91	DATE
APPROVAL 92	DATE
APPROVAL 93	DATE
APPROVAL 94	DATE
APPROVAL 95	DATE
APPROVAL 96	DATE
APPROVAL 97	DATE
APPROVAL 98	DATE
APPROVAL 99	DATE
APPROVAL 100	DATE

THIS DRAWING SHALL NOT BE DUPLICATED OR USED FOR ANY PURPOSE OTHER THAN THAT FOR WHICH PROVIDED. THE INFORMATION CONTAINED HEREIN IS UNCLASSIFIED EXCEPT WHERE SHOWN OTHERWISE. ALL RIGHTS RESERVED. THIS INFORMATION SHALL NOT BE DISCLOSED OR REPRODUCED IN ANY MANNER WITHOUT THE WRITTEN PERMISSION OF THE U.S. GOVERNMENT. U.S. GOVERNMENT PRINTING OFFICE: 1989 O-500-000. SALE, MANUFACTURING AND REPRODUCTION RIGHTS THEREIN.

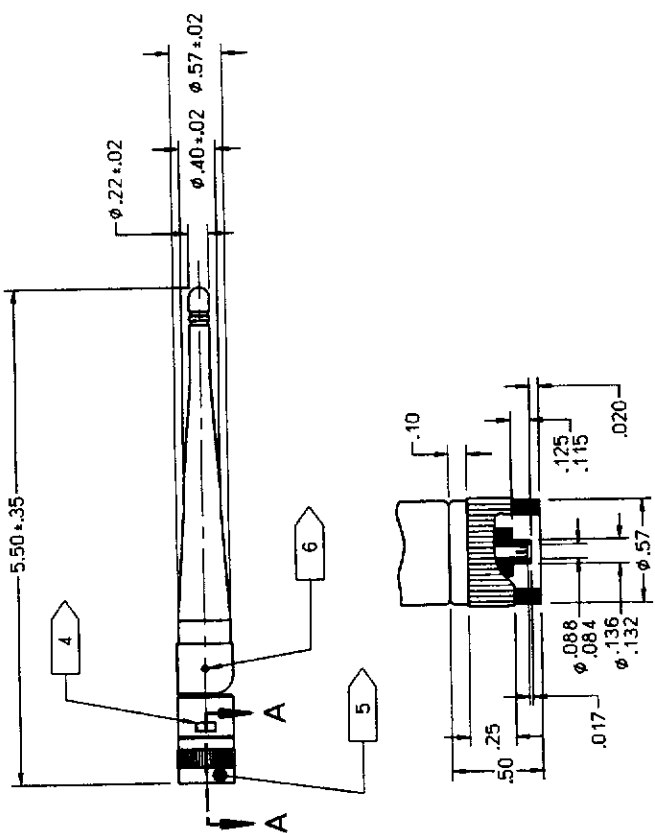
-005

INTERMATIC	9001 96TH AVENUE WEST EVERETT, WA 98201-6800
TITLE	ANTENNA, SMB, 2.4 GHz,
DRAWN	0 BRAVEN
CHECKED	0 BRAVEN
DATE	3-12-98
DESIGNED BY	PHILTON
CHECKED BY	PHILTON
DATE	3-12-98
APPROVAL 1	DATE
APPROVAL 2	DATE
APPROVAL 3	DATE
APPROVAL 4	DATE
APPROVAL 5	DATE
APPROVAL 6	DATE
APPROVAL 7	DATE
APPROVAL 8	DATE
APPROVAL 9	DATE
APPROVAL 10	DATE
APPROVAL 11	DATE
APPROVAL 12	DATE
APPROVAL 13	DATE
APPROVAL 14	DATE
APPROVAL 15	DATE
APPROVAL 16	DATE
APPROVAL 17	DATE
APPROVAL 18	DATE
APPROVAL 19	DATE
APPROVAL 20	DATE
APPROVAL 21	DATE
APPROVAL 22	DATE
APPROVAL 23	DATE
APPROVAL 24	DATE
APPROVAL 25	DATE
APPROVAL 26	DATE
APPROVAL 27	DATE
APPROVAL 28	DATE
APPROVAL 29	DATE
APPROVAL 30	DATE
APPROVAL 31	DATE
APPROVAL 32	DATE
APPROVAL 33	DATE
APPROVAL 34	DATE
APPROVAL 35	DATE
APPROVAL 36	DATE
APPROVAL 37	DATE
APPROVAL 38	DATE
APPROVAL 39	DATE
APPROVAL 40	DATE
APPROVAL 41	DATE
APPROVAL 42	DATE
APPROVAL 43	DATE
APPROVAL 44	DATE
APPROVAL 45	DATE
APPROVAL 46	DATE
APPROVAL 47	DATE
APPROVAL 48	DATE
APPROVAL 49	DATE
APPROVAL 50	DATE
APPROVAL 51	DATE
APPROVAL 52	DATE
APPROVAL 53	DATE
APPROVAL 54	DATE
APPROVAL 55	DATE
APPROVAL 56	DATE
APPROVAL 57	DATE
APPROVAL 58	DATE
APPROVAL 59	DATE
APPROVAL 60	DATE
APPROVAL 61	DATE
APPROVAL 62	DATE
APPROVAL 63	DATE
APPROVAL 64	DATE
APPROVAL 65	DATE
APPROVAL 66	DATE
APPROVAL 67	DATE
APPROVAL 68	DATE
APPROVAL 69	DATE
APPROVAL 70	DATE
APPROVAL 71	DATE
APPROVAL 72	DATE
APPROVAL 73	DATE
APPROVAL 74	DATE
APPROVAL 75	DATE
APPROVAL 76	DATE
APPROVAL 77	DATE
APPROVAL 78	DATE
APPROVAL 79	DATE
APPROVAL 80	DATE
APPROVAL 81	DATE
APPROVAL 82	DATE
APPROVAL 83	DATE
APPROVAL 84	DATE
APPROVAL 85	DATE
APPROVAL 86	DATE
APPROVAL 87	DATE
APPROVAL 88	DATE
APPROVAL 89	DATE
APPROVAL 90	DATE
APPROVAL 91	DATE
APPROVAL 92	DATE
APPROVAL 93	DATE
APPROVAL 94	DATE
APPROVAL 95	DATE
APPROVAL 96	DATE
APPROVAL 97	DATE
APPROVAL 98	DATE
APPROVAL 99	DATE
APPROVAL 100	DATE

REV	DESCRIPTION	DATE	DRAWN & APPROVED
B	-001 RELEASED AT REV B	03-07-98	JLEE RCH
C	-001 PER ECN 027276	04-09-99	JLEE MB
D	-001 PER ECN 100361		

NOTES: UNLESS OTHERWISE SPECIFIED

- BAG PARTS (25 MAX PER BAG) AND MARK BAG WITH 066147 AND DASH NUMBER TO WHICH MANUFACTURED PER SPECIFICATION 606427.
- SPECIFICATIONS: FREQUENCY RANGE 2.4-2.5 GHz
 GAIN: 1.0 dBi
 OPERATING TEMPERATURE: -40°C TO +85°C
 FLEX TEST: PER 0EAG014
 PULL TEST: 20 LB LINEAR PULL
 TORQUE TEST: 20 IN-LB
 POWER RATING: 50 WATTS
 VSWR 1.5:1 MAX AT RESONANCE
- CHANGES REQUIRE SAC APPROVAL.
 - 4 PART MARKED WITH AØ1.
 - 5 THIS PIECE IS FREE TO ROTATE 360°.
 - 6 FREE TO ROTATE 90° (DOWNWARD) ABOUT THIS PIVOT. LOOKS IN 0° AND 90° POSITION.
- ALL PARTS OF ASSEMBLY ARE TO BE MOLDED BLACK OR BLACK CHROME.



SECTION A-A
SCALE 2/1

APPROVED SOURCE(S) OF SUPPLY	
SUPPLIER	PART NUMBER
1. CENTURION	066147-001
2.	
3.	
4.	
5.	
6.	

CAD DBREF - 066147.1.d
SYSTEM - HP/ME30

UNLESS OTHERWISE SPECIFIED, DIMENSIONS ARE IN INCHES.
XX * .03
XXX * .010
ANGLES *

-001

NOTICE
THIS DRAWING SHALL NOT BE DUPLICATED OR USED FOR ANY PURPOSE OTHER THAN THAT FOR WHICH PROVIDED. THE INFORMATION DISCLOSED HEREIN ORIGINATED BY AND IS THE PROPERTY OF INTERTEC CORPORATION AND EXCEPT FOR RIGHTS EXPRESSLY GRANTED BY WRITTEN CONSENT, SUCH INFORMATION SHALL NOT BE DISCLOSED OR DISSEMINATED WHOLE OR IN PART. INTERTEC CORPORATION RESERVES ALL PATENT, PROPRIETARY, DESIGN, USE, SALE, MANUFACTURING AND REPRODUCTION RIGHTS THERE TO.

SOURCE CONTROL DRAWING

Intertec		6001 36TH AVENUE WEST EVERETT, WA 98203-9280	
APPROVALS	DATE	TITLE	
DRAWN G. RAVEN	7-11-97	ANTENNA, TNC, 2.4 GHz, DIPOLE, 248X	
CHECKED RHOAGLUND	10-29-97	RESP ENG T. BENSON	10-30-97
QA T. ANDERSON	11-10-97	MFG ENG V. LORD	11-6-97
SAC QDREW	10-30-97	SIZE / CASE CODE	DRAWING NUMBER
CMPT ENG R. KELLY	11-4-97	C 33825	066147
		SCALE 1/1	SHEET 1 OF 1

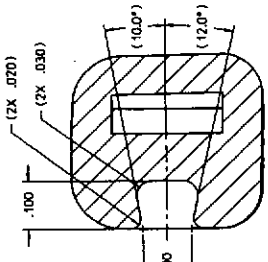
REV		REV	DATE	REVISIONS
1	W	1	10-28-98	0.0251AD
2	W	1		
3	W	1		
4	W	1		
5	W	1		

NOTES: (UNLESS OTHERWISE SPECIFIED)

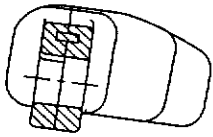
- RESERVED.
- RESERVED.
- DRAFT ANGLE TO BE 2°.
- ALL DIMENSIONS APPLY AT MAXIMUM DRAFT.
- FILLETS AND EDGE ROUN TO BE R .010 MAX.
- SEE CAD GENERATED WIRE FRAME AND DRYSOLID MODEL PART NUMBER 066619-005 FOR ADDITIONAL FEATURES. ALL FEATURES NOT IDENTIFIED ARE TO BE ±.005. THIS PART REQUIRES AN XES FILE.
- EXTERIOR SURFACES PER MOLD TECH MT-11000 TO MT-11020 OR EQUIVALENT.
- PARTING LINE FLASH .005 MAXIMUM.
- GATE REMNANT .020 MAXIMUM.
- PART TO BE FREE OF MOLD RELEASE.
- COSMETIC REQUIREMENTS PER SPECIFICATION 044856, APPENDIX 'A', CATEGORY 1, CLASS A (EXTERNAL SURFACES ONLY).
- SPECIFICATIONS:
FREQUENCY RANGE: 2.4 - 2.5 GHz.
GAIN: +1.5 DBI PEAK.
IMPEDANCE: 50 OHMS.
VSWR: ACROSS THE BAND ± 1.75:1.
POWER RATING: 10 WATT MAXIMUM.
OPERATING TEMPERATURE: -40°C TO 65°C @ 95% RH.
MECHANICAL REQUIREMENTS:
FLEX PERFORMANCE (SHEATH): 500 CYCLES AT 45° IN TWO DIRECTIONS PERPENDICULAR TO THE CENTERLINE AXIS OF THE SHAFT.
- ANTENNA ROTATION: 10,000 CYCLES (ONE CYCLE DEFINED AS ROTATED TO THE UP POSITION AND RETURNED TO STARTING POSITION).
SHEATH PULL TEST: 30 LBS.
CORROSION TEST: 24 HOURS WITH 5% NaCl @ 85°C.
SINUSOIDAL VIBRATION WITH THE FOLLOWING CHARACTERISTICS:
SWEPT SIN: CONSTANT DISPLACEMENT OF ONE INCH PEAK TO PEAK.
HOLD: 10 Hz. CONSTANT DISPLACEMENT OF ONE INCH PEAK TO PEAK.
3 Hz TO 1000 KHz: CONSTANT ACCELERATION OF 1.5 G'S.
CONNECTOR TO BE HUBER/SUMNER #18MHCX-50-1-1 OR APPROX. #900-43200 RIGHT ANGLE.

- 15. CONNECTOR TO BE HUBER/SUMNER #18MHCX-50-1-1 OR APPROX. #900-43200 RIGHT ANGLE.
 - 16. CABLE LENGTH TO BE 3.85 ±.10 FROM CENTER OF PIVOT HOLE TO END OF M-MCX CONNECTOR.
 - 17. CHANGES REQUIRE SAC APPROVAL.
- NOTES CONTINUED AT LEFT.

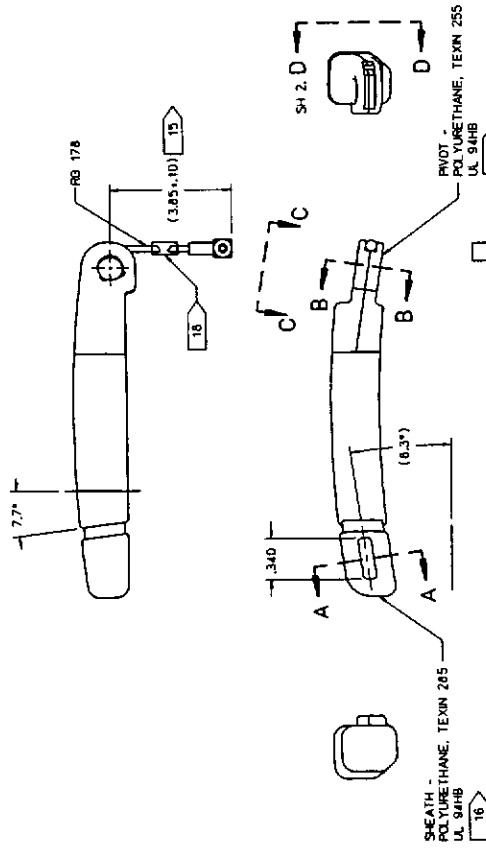
SEE SEPARATE PARTS LIST FOR 066619-005



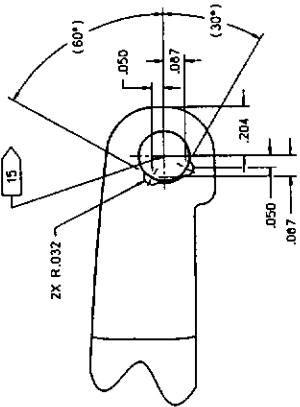
SECTION A-A
SCALE: 8/1
ROTATED 0.3° CW



SECTION B-B
SCALE: 4/1



VIEW C-C
ROTATED 16.4° CW
SCALE: 4/1



VIEW C-C
ROTATED 16.4° CW
SCALE: 4/1

- 18. FERRITE BEAD, FAR-RITE PRODUCTS PART NUMBER 26-3005701.
- 19. BAG PARTS AND MARK BAG WITH 066619 AND DASH NUMBER TO WHICH MANUFACTURED. MARK SHIPPING CONTAINER WITH 066619 AND DASH NUMBER TO WHICH MANUFACTURED. MARK BOTH PER SPECIFICATION 806127.
- 20. FLAME RATING: UL 94HB MINIMUM.

NOTICE
THIS DRAWING SHALL NOT BE DUPLICATED OR USED FOR ANY PURPOSE OTHER THAN THAT FOR WHICH PROVIDED. THE INFORMATION DISCLOSED HEREIN IS UNCLASSIFIED AND IS FREELY AVAILABLE TO THE PUBLIC. ANY REPRODUCTION OF THIS INFORMATION SHALL BE AT THE USER'S RISK. THE INFORMATION IS NOT TO BE DISCLOSED OR REPRODUCED IN ANY MANNER WITHOUT THE WRITTEN PERMISSION OF THE COMPANY. ALL PATENT RIGHTS ARE RESERVED. THE COMPANY MAKES NO WARRANTY, REPRESENTATION OR GUARANTEE AS TO THE ACCURACY OF THE INFORMATION. THE COMPANY SHALL NOT BE LIABLE FOR DAMAGES OF ANY KIND, INCLUDING CONSEQUENTIAL DAMAGES, ARISING FROM THE USE OF THIS INFORMATION.

APPROVALS		DATE
DRAWN	L. HEN	8-11-98
CHECKED	G. HEN	3-25-99
RESP ENG	R. ZIEGLER	3-30-99
QA	J. BRITZER	3-26-98
MFG ENG	J. SUJ	3-26-98
SAC	P. HELLON	9-3-98
SCALE		2/1

Informatics		8001 38TH AVENUE WEST
Manufacturing Corporation		EVRETT, WA 98203-5280
TITLE		ANTENNA, 2.4 GHZ.
SIZE		MMCX PLUG
DRAWING NUMBER		066619
REV		W
SHEET		1 OF 2

5.0 Antenna Specifications:

Antenna Type: Flexible Whip

Frequency Range: 2.4 – 2.5GHz

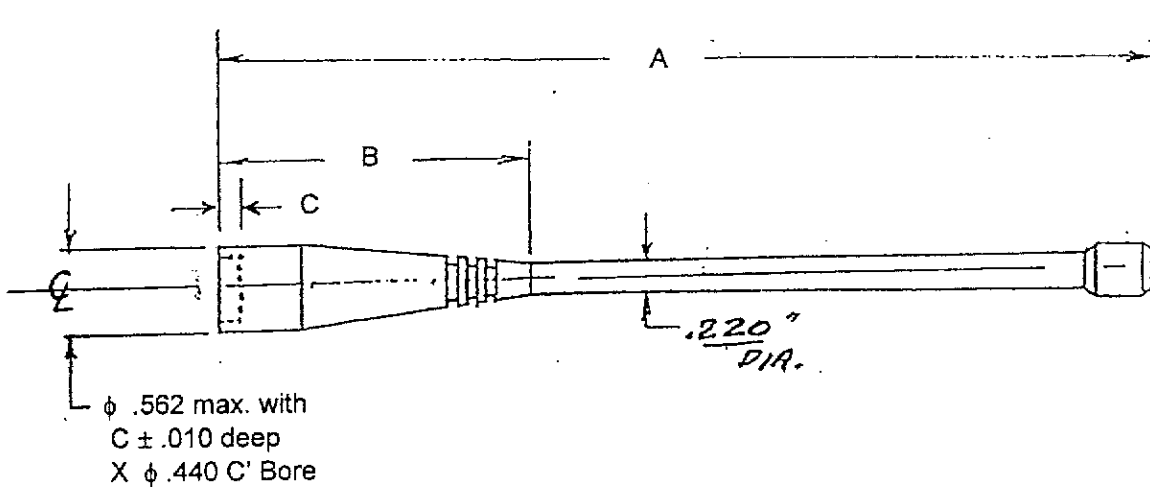
Gain: 2.0 dbi

Component Specifications:

- a) Mount: Reverse polarity SMA connector, with white dielectric.
- b) Radiator: RG – 178 / U 50 Ohm Coaxial Cable
- c) Overmold: Black 80A durometer flexible vinly body, molded over radiator and mount, cap adhesive bonded to body.

-001: A = $3.69 \pm .100$
 B = $2.19 \pm .010$
 C = $0.25 \pm .010$

-002: A = $3.57 \pm .100$
 B = $2.08 \pm .010$
 C = $0.135 \pm .010$



All Dimensions in Inches, Not to Scale.

7 6 5 4 3 2 1

**APPROVED SOURCE(S)
OF SUPPLY**

SUPPLIER	PART NUMBER
1. CUSACRAFT	S24036PT2RNF [7]
2.	
3.	
4.	
5.	
6.	

REV.	STATUS OF SHEET	REASON	DATE	DRAWN BY	APPROVED
C	001	RELEASED AT REV. C	8-27-96	SOPSTAD	RCH
D	001	PER ECR 075344			

REV.	STATUS OF SHEET	REASON	DATE	DRAWN BY	APPROVED
5	4	3	2	1	SHEET

D

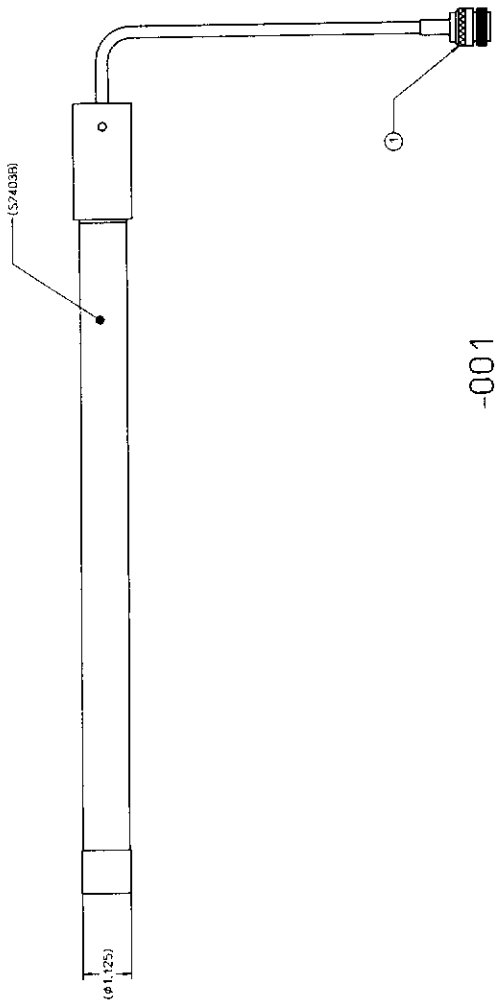
C

B

A

NOTES: UNLESS OTHERWISE SPECIFIED

1. MATERIAL: POLYCARBONATE.
2. REMOVE ALL BURRS AND SHARP EDGES.
3. COSMETIC REQUIREMENTS PER SPECIFICATION 044856, APPENDIX C, CATEGORY II, CLASS B.
4. BAG PARTS AND MARK BAG WITH 063363 PER SPECIFICATION 808477. DO NOT MARK DASH NUMBER.
5. CHANGES REQUIRE SAC APPROVAL.
6. SPECIFICATION:
 FREQUENCY RANGE: 2400-2500MHZ
 IMPEDANCE: 50 OHMS (NOMINAL)
 GAIN: 3dB (REFERENCED TO DIPOLE)
 BANDWIDTH: 700 (REFERENCED TO ISOTROPIC)
 VSWR: 1.5:1 (MAX)
 WIND SURVIVAL: <-15'1" (2400-2500MHZ)
 POWER RATING: 125WATT
 50 WATTS MAX
 MOUNTING HARDWARE KIT AND INSTRUCTIONS INCLUDED.



-001

**SOURCE CONTROL DRAWING
SEE SEPARATE PARTS LIST FOR 063363-001**

CAD FILE: /0209rev/rl/063363.1.d		APPROVALS		DATE	
UNLESS OTHERWISE SPECIFIED, DIMENSIONS ARE IN INCHES.		DRAWN	JFCOT	8-23-96	
X.XX		CHECKED	HDAGL	1-19-96	
X.XX		REP. ENG.	MCHIN	1-23-96	
X.XX		QA	T. ANDERSON		
X.XX		MFG. ENG./SAL/TKNO	1-22-96		
X.XX		SAC	P. HELLTON	1-22-96	
X.XX		DRWT. ENG.			
X.XX		TITLE		ANTENNA, 2.4GHZ,	
X.XX		DRAWING NUMBER		063363	
X.XX		SCALE		1 OF 1	

NOTICE
THIS DRAWING SHALL NOT BE DUPLICATED OR USED FOR ANY PURPOSE OTHER THAN THAT FOR WHICH PROVIDED. THE INFORMATION DISCLOSED HEREIN IS UNCLASSIFIED AND EXCEPT FOR RIGHTS EXPRESSLY GRANTED BY WRITTEN CONSENT, SUCH INFORMATION SHALL NOT BE DISSEMINATED, COPIED, REPRODUCED, SOLD, MANUFACTURED AND REPRODUCTION RIGHTS THERE TO.

7 6 5 4 3 2 1

D

C

B

A

1 2 3 4 5 6 7

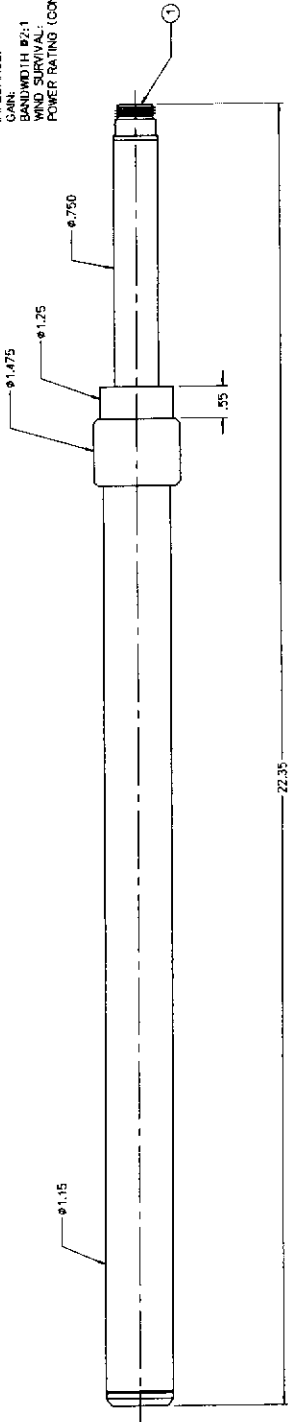
APPROVED SOURCE(S) OF SUPPLY	
SUPPLIER	PART NUMBER
1. MOBILE MARK	009-2400
2.	
3.	
4.	
5.	
6.	

REVISIONS		REV. STATUS	DESCRIPTION	DATE	DRAWN & APPROVED
5	4	3	2	1	SHEET
B		.001 RELEASED AT REV. B			

NOTES: UNLESS OTHERWISE SPECIFIED

1. MATERIAL: ANTENNA - FIBERGLASS RADOME WITH ALUMINUM FEED HARDWARE - 4 EACH U BOLTS (NOT SHOWN)
1 EACH MOUNTING PLATE (NOT SHOWN)
2. REMOVE ALL BURRS AND SHARP EDGES.
3. COSMETIC REQUIREMENTS PER SPECIFICATION 044856, APPENDIX C, CATEGORY 1, CLASS B.
4. BAG PARTS AND MARK BAG WITH 065349 PER SPECIFICATION 806427. DO NOT MARK DASH NUMBER.
5. CHANGES REQUIRE SAC APPROVAL.

6. SPECIFICATION:
 FREQUENCY RANGE: 2300-2600MHZ
 IMPEDANCE: 50+J0 OHMS (NOMINAL)
 BANDWIDTH BZ:1 140MHZ
 WIND SURVIVAL: 100-MPH
 POWER RATING (CONTINUOUS): 100 WATTS MAX



-001

SOURCE CONTROL DRAWING
 SEE SEPARATE PARTS LIST FOR 065349-001

CAD DWF - 065349.1.D		APPROVALS	DATE
DESIGNED	BY	JFO1	12-19-96
CHECKED	BY	WCHN	1-28-97
DESIGNED	BY	RSOYK	1-28-97
APPROVED	BY	MALTK	1-28-97
SCALE	INCHES	1:3.875	
TITLE		ANTENNA, 2.4GHZ.	
DRAWN		90BI OMNI	
SAC		065349	
DRAWING NUMBER		065349	
SHEET		1 OF 1	

NOTE: THIS DRAWING SHALL NOT BE DUPLICATED OR USED FOR ANY PURPOSE OTHER THAN THAT FOR WHICH PROVIDED. THE INFORMATION CONTAINED HEREIN IS UNCLASSIFIED AND EXCEPT FOR RIGHTS EXPRESSLY GRANTED BY WRITTEN CONSENT, SUCH INFORMATION SHALL NOT BE DISCLOSED OR DISSEMINATED WHOLE OR IN PART, IN ANY FORM OR BY ANY MEANS, ELECTRONIC OR MECHANICAL, INCLUDING PHOTOCOPYING, RECORDING, OR BY ANY INFORMATION STORAGE AND RETRIEVAL SYSTEM. WITHOUT THE WRITTEN CONSENT OF THE U.S. GOVERNMENT, NO PART OF THIS DRAWING SHALL BE REPRODUCED OR TRANSMITTED IN ANY FORM OR BY ANY MEANS, ELECTRONIC OR MECHANICAL, INCLUDING PHOTOCOPYING, RECORDING, OR BY ANY INFORMATION STORAGE AND RETRIEVAL SYSTEM.

1 2 3 4 5 6 7

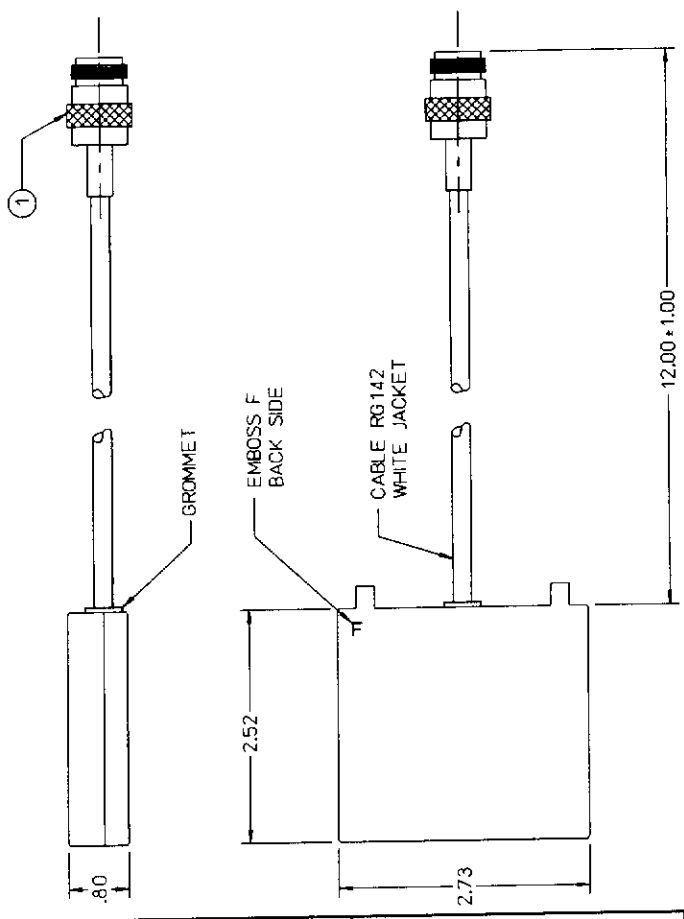
4 3 2 1

APPROVED SOURCE(S) OF SUPPLY	
SUPPLIER	PART NUMBER
1. XERTEX TECHNOLOGIES INC	245BD5W-RN12
2.	
3.	
4.	
5.	
6.	

REVISIONS		
REV	DESCRIPTION	DATE
B	-001 RELEASED AT REV B	

NOTES: UNLESS OTHERWISE SPECIFIED

- REFER TO THE MANUFACTURER'S SPECIFICATIONS FOR COMPLETE DESIGN PARAMETERS.
- BAG PARTS AND MARK BAG WITH 067262 TO WHICH MANUFACTURED PER SPECIFICATION 606427. DO NOT MARK DASH NUMBER.
- CHANGES REQUIRE SAC APPROVAL.
- SPECIFICATIONS:
 - * FREQUENCY RANGE: 2400-2500 MHZ
 - * GAIN: 5db
 - * VSWR: 1.8:1
 - * IMPEDANCE: 50ohms
 - * BEAMWIDTH 5 dB
 - H-PLANE: 55°
 - E-PLANE: 80°
 - * OPERATING TEMPERATURE: -40°C TO +100°C
 - * INPUT POWER (MAX): 50 WATTS
- MOUNTING KIT SUPPLIED.



SEE SEPARATE PARTS LIST FOR 067262-001

CAD DBREF- 067262.1b		SYSTEM - HP/ME30	
UNLESS OTHERWISE SPECIFIED, DIMENSIONS ARE IN INCHES.			
APPROVALS	DATE	TITLE	
DRAWN J.FOTI	5-11-98	ANTENNA, 2.4GHZ, 5dB	
CHECKED R.HOAGLUND	5-21-98	DUAL FLAT PANEL	
RESP ENGM. SHAVER	6-2-98	SIZE	CAGE CODE
DA T. ANDERSON	6-2-98	MFG ENG M.SALATINO	067262
SAC P. HELTON	5-26-98	DRAWING NUMBER	REV
CMPT ENG T. KEY	5-27-98	SCALE	NONE
			SHEET 1 OF 1

-001

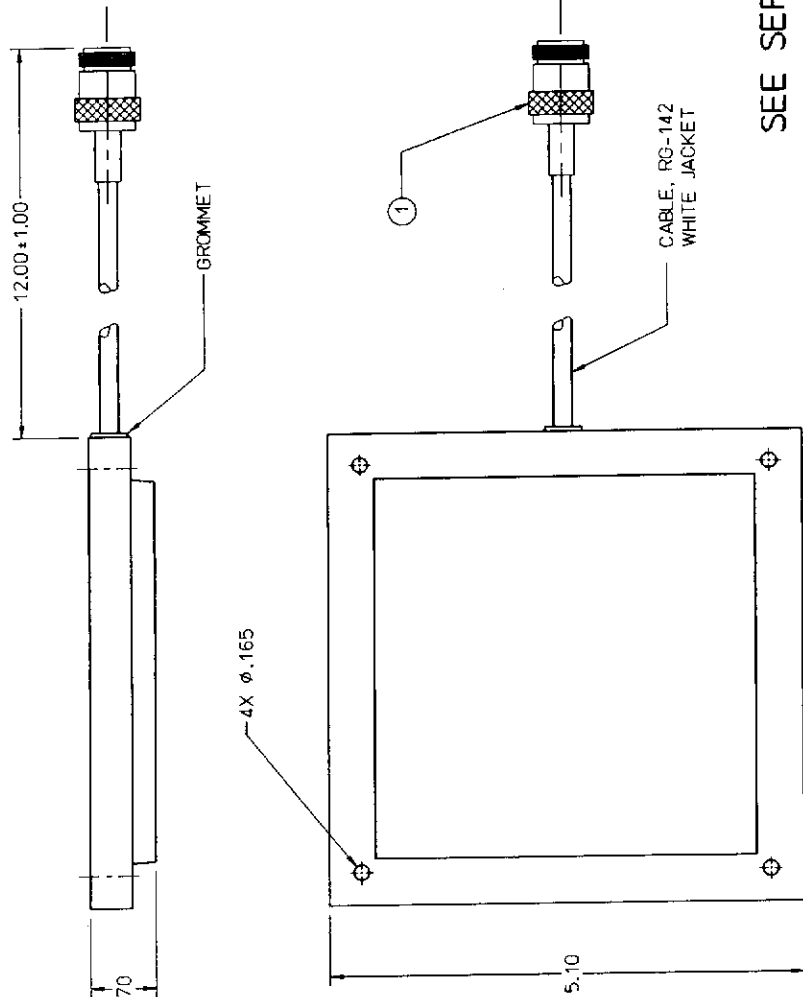
NOTICE
THIS DRAWING SHALL NOT BE DUPLICATED OR USED FOR ANY PURPOSE OTHER THAN THAT FOR WHICH PROVIDED. THE INFORMATION DISCLOSED HEREIN ORIGINATED BY AND IS THE PROPERTY OF INTERMEC TECHNOLOGIES CORPORATION AND EXCEPT FOR RIGHTS EXPRESSLY GRANTED BY WRITTEN CONSENT, SUCH INFORMATION SHALL NOT BE DISCLOSED OR DISSEMINATED WHOLE OR IN PART. INTERMEC TECHNOLOGIES CORPORATION RESERVES ALL PATENT, PROPRIETARY, DESIGN, USE, SALE, MANUFACTURING AND REPRODUCTION RIGHTS THEREIN.



6001 36TH AVENUE WEST
EVERETT, WA 98203-9280

APPROVED SOURCE(S) OF SUPPLY

SUPPLIER	PART NUMBER
1. XERTEX TECHNOLOGIES, INC	245LD9W-RN12
2.	
3.	
4.	
5.	
6.	



SOURCE CONTROL DRAWING

SEE SEPARATE PARTS LIST FOR 067263-001

CAD DBREF- 067263.1.b
SYSTEM - HP7ME30

UNLESS OTHERWISE SPECIFIED, DIMENSIONS ARE IN INCHES.

XX * .12
.XXX * .015
ANGLES *

NOTICE
THIS DRAWING SHALL NOT BE DUPLICATED OR USED FOR ANY PURPOSE OTHER THAN THAT FOR WHICH PROVIDED. THE INFORMATION DISCLOSED HEREIN ORIGINATED BY AND IS THE PROPERTY OF INTERMEC TECHNOLOGIES CORPORATION AND EXCEPT FOR RIGHTS EXPRESSLY GRANTED BY WRITTEN CONSENT, SUCH INFORMATION SHALL NOT BE DISCLOSED OR DISSEMINATED WHOLE OR IN PART. INTERMEC TECHNOLOGIES CORPORATION RESERVES ALL PATENT, PROPRIETARY, DESIGN, USE, SALE, MANUFACTURING AND REPRODUCTION RIGHTS THERE TO.

NOTES: UNLESS OTHERWISE SPECIFIED

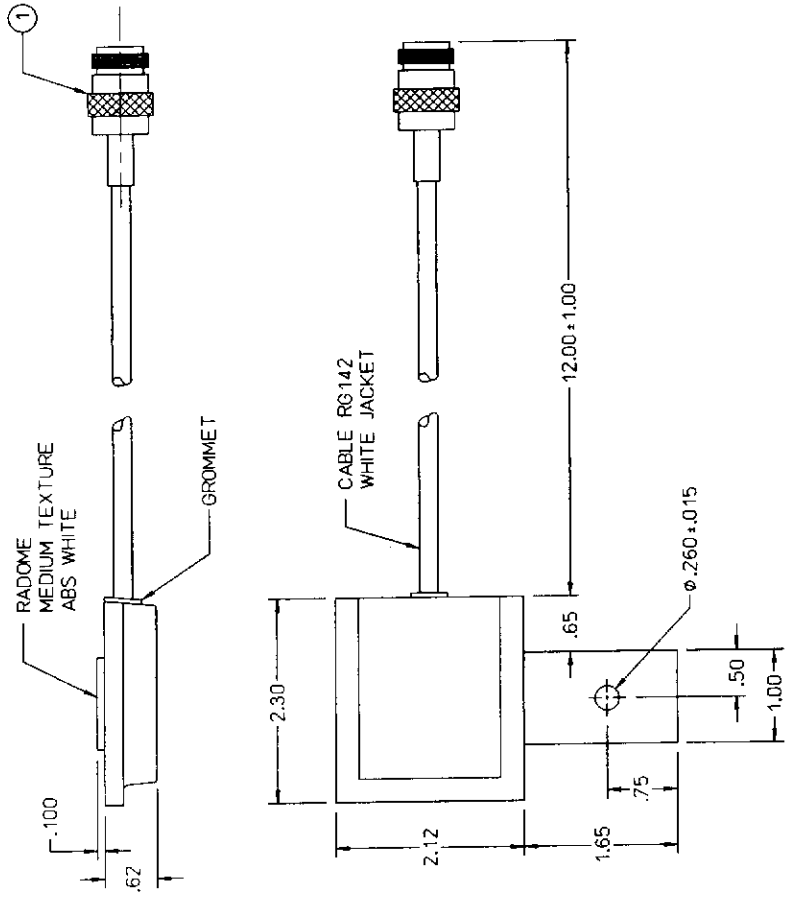
- REFER TO THE MANUFACTURER'S SPECIFICATIONS FOR COMPLETE DESIGN PARAMETERS.
- BAG PARTS AND MARK BAG WITH 067263 TO WHICH MANUFACTURED PER SPECIFICATION 606427. DO NOT MARK DASH NUMBER.
- CHANGES REQUIRE SAC APPROVAL.
- SPECIFICATIONS:
 - * FREQUENCY RANGE: 2400-2500MHZ
 - * GAIN: 9db
 - * VSWR: 1.5:1
 - * IMPEDANCE: 50 ohms
 - * BEAMWIDTH 9db
 - H-PLANE: 60°
 - E-PLANE: 60°
 - * INPUT POWER (MAX): 50 WATTS
 - * OPERATING TEMPERATURE: -40°C TO +100°C
 - * FRONT/BACK RATIO: 20 db
- MOUNTING KIT SUPPLIED.

REV	DESCRIPTION	DATE	DRAWN & APPROVED
B	-001 RELEASED AT REV B		

Intermec Technologies Corporation		6001 36TH AVENUE WEST EVERETT, WA 98203-9280	
TITLE ANTENNA, 2.4GHZ, 9db FLAT PANEL			
RESP ENGM. SHAVER	DATE	SIZE	CASE CODE
DA T. ANDERSON	5-12-98	C 33825	067263
MFG ENG M.SALATINO	5-26-98	SCALE	NONE
SAC P. HELTON	5-21-98	DRAWING NUMBER	REV
CMRNT ENG T. KEY	5-27-98		B
		SHEET	1 OF 1

APPROVED SOURCE(S) OF SUPPLY

SUPPLIER	PART NUMBER
1. XERTECH TECHNOLOGIES INC	2450D3W-RN12
2.	
3.	
4.	
5.	
6.	



- NOTES: UNLESS OTHERWISE SPECIFIED
- REFER TO THE MANUFACTURER'S SPECIFICATIONS FOR COMPLETE DESIGN PARAMETERS.
 - BAG PARTS AND MARK BAG WITH 067261 TO WHICH MANUFACTURED PER SPECIFICATION 606427. DO NOT MARK DASH NUMBER.
 - CHANGES REQUIRE SAC APPROVAL.
 - SPECIFICATIONS:
 - * VSWR: 1.5:1
 - * FREQUENCY: 2400-2500 MHZ
 - * GAIN: 3 dBi
 - * BEAMWIDTH 3dB
 - H-PLANE 360°
 - E-PLANE 180°
 - * PATTERN: OMNI-DIRECTIONAL
 - * OPERATION TEMPERATURE: -40°C TO +100°C
 - * MAXIMUM INPUT POWER: 50 WATTS
 - MOUNTING KIT SUPPLIED.

SOURCE CONTROL DRAWING
SEE SEPARATE PARTS LIST FOR 067261-001

CAD DBREF - 067261.1.b
SYSTEM - HP/ME30

UNLESS OTHERWISE SPECIFIED, DIMENSIONS ARE IN INCHES.
.XX * .12
.XXX *

NOTICE
THIS DRAWING SHALL NOT BE DUPLICATED OR USED FOR ANY PURPOSE OTHER THAN THAT FOR WHICH PROVIDED. THE INFORMATION DISCLOSED HEREIN ORIGINATED BY AND IS THE PROPERTY OF INTERTEC TECHNOLOGIES CORPORATION AND EXCEPT FOR RIGHTS EXPRESSLY GRANTED BY WRITTEN CONSENT, SUCH INFORMATION SHALL NOT BE DISCLOSED OR DISSEMINATED WHOLE OR IN PART. INTERTEC TECHNOLOGIES CORPORATION RESERVES ALL PATENT, PROPRIETARY, DESIGN, USE, SALE, MANUFACTURING AND REPRODUCTION RIGHTS THERE TO.

-001

UNLESS OTHERWISE SPECIFIED, DIMENSIONS ARE IN INCHES. .XX * .12 .XXX *	APPROVALS	DATE	Intermec Technologies Corporation	6001 36TH AVENUE WEST EVERETT, WA 98203-9280
	DRAWN	J.FOTI	TITLE	
	CHECKED	R.HOAGLUND	ANTENNA, 2.4GHZ, 3dBi MINI OMNI	
	RESP ENGM.	SHAVER	SIZE	CAGE CODE
	QA	T.ANDERSON	6-2-98	DRAWING NUMBER
	MFG ENGM.	SALATINO	5-26-98	067261
	SAC	P.HELTON	5-26-98	REV
	CMPT ENG	T.KEY	5-27-98	B
			SCALE	NONE
				SHEET 1 OF 1

REVISION		REV STATUS OF SHEETS		REV DESCRIPTION		REVISIONS	
NO	DATE	BY	CHKD	NO	DATE	BY	CHKD
5				1			
4				2			
3				3			
2				4			
1				5			

REV	DESCRIPTION	DATE	DRAWN & APPROVED
C	-001 RELEASED AT REV C		



NOTES: UNLESS OTHERWISE SPECIFIED

- SPECIFICATIONS:
 FREQUENCY RANGE: 2.4 - 2.5 GHZ
 GAIN: +15 DBI PEAK
 IMPEDANCE: 50 OHMS
 VSWR: ACROSS THE BAND , 1.5:1
 POWER RATING: 1 WATT MAXIMUM
 OPERATING TEMPERATURE: -40°C TO 65°C @ 95% RH
- MECHANICAL REQUIREMENTS:
 FLEX PERFORMANCE (SHEATH): 500 CYCLES AT 45° IN TWO DIRECTIONS PERPENDICULAR TO THE CENTERLINE AXIS.
- SINUSOIDAL VIBRATION WITH THE FOLLOWING CHARACTERISTICS:
 SWEEP RATE: CONSTANT, 1 OCTAVE PER MINUTE.
 1 HZ TO 3 HZ: CONSTANT DISPLACEMENT OF ONE INCH PEAK TO PEAK.
 3 HZ TO 1000 KHZ: CONSTANT ACCELERATION OF 1.5 G'S.
- CONNECTOR TO BE HUBER-SUHNER MMCX, P/N 11MMCX-50-2-X6664.
- ANTENNA COLOR TO BE BLACK.
- COSMETIC REQUIREMENTS PER SPECIFICATION 044856, APPENDIX 'A', CATEGORY II, CLASS A.
- BAG PARTS AND MARK BAG WITH 069753 PER SPECIFICATION 606427. DO NOT MARK DASH NUMBER.
- CHANGES REQUIRE SAC APPROVAL.

CAD DB:REF- 069753.1.c
 SYSTEM - HP

UNLESS OTHERWISE SPECIFIED, DIMENSIONS ARE IN INCHES.	APPROVALS	DATE
.XX * .XXX * .010/0.25 ANGLES *	DRAWN	J.FOTI 6-11-99
	CHECKED	G.OPSTAD 9-13-99
	RESP ENG	R.ZIGLER 9-15-99
	QA	R.WOJCIK 9-21-99
	MFG ENG	R.ODEK 9-15-99
	SAC	O.DREW 9-15-99
CE/ID		

-001

NOTICE
 THIS DRAWING SHALL NOT BE DUPLICATED OR USED FOR ANY PURPOSE OTHER THAN THAT FOR WHICH PROVIDED. THE INFORMATION DISCLOSED HEREIN ORIGINATED BY AND IS THE PROPERTY OF INTERMEC TECHNOLOGIES CORPORATION AND EXCEPT FOR RIGHTS EXPRESSLY GRANTED BY WRITTEN CONSENT, SUCH INFORMATION SHALL NOT BE DISCLOSED OR DISSEMINATED WHOLE OR IN PART. INTERMEC TECHNOLOGIES CORPORATION RESERVES ALL PATENT, PROPRIETARY, DESIGN, USE, SALE, MANUFACTURING AND REPRODUCTION RIGHTS THERE TO.

Intermec
 Technology Corporation
 6001 36TH AVENUE WEST
 EVERETT, WA 98203-9280

TITLE: ANTENNA, 2.4 GHZ,
 OMNI, 2101

SIZE: C 33825
 DRAWING NUMBER: 069753
 SCALE: 2/1
 SHEET: 1 OF 1

5	4	3	2	1
REV. NO.	DATE	BY	CHK'D	APPROVED
1	03/10/75	001	001	001
2				
3				
4				
5				

1
2
3
4
5
6
7

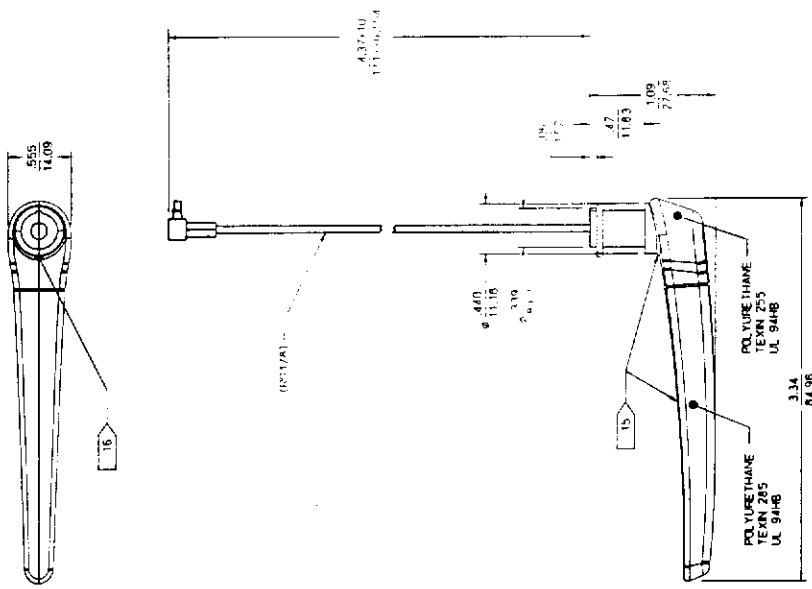
NOTES CONTINUED:

- SEE CAD OPERATED WIRE FRAME AND/OR SOLID MODEL PART NUMBER 070142-001 FOR ADDITIONAL FEATURE DETAILS. ALL FEATURES NOT OTHERWISE DEFINED ARE TO BE ±0.05/0.13 TO THE NOMINAL FEATURE POSITION AS DEFINED BY THE MODEL. THIS PART REQUIRES AN IN-SITU DIMENSION VERIFICATION. DIMENSIONS SHOWN WILL BE USED FOR FINAL ARTICLE VERIFICATION.
- CONNECTOR TO BE HUBER/SUPER #16MXC50-1-1 OR AMPHENOL #808-43200 RIGHT ANGLE.

NOTES, UNLESS OTHERWISE SPECIFIED

- FILLITS AND EDGE RAIN TO BE R. 0.15/0.30 MAXIMUM
- DIMENSIONS APPLY AT MAXIMUM DRAFT.
- EJECTOR PRINT LASS: 0.10/0.25 MAXIMUM.
- 25% BEHOLD PERMISSIBLE: FROVED SUPPL MATI HSD IS DRADED CLEAN, FINES REMOVED AND FIRE OF PIRNID, DISCLOSED OR FOREIGN MATERIAL.
- COSMETIC REQUIREMENTS PER SPECIFICATION 041056, APPENDIX 'A', CATEGORY 1, CLASS A (EXTERNAL SURFACES ONLY).
- EXTERIOR SURFACE PER WIND TUNNEL MIT 51020 N3 EQUIVALENT.
- SPECIFICATIONS: PROFILES: FINISH: 24 - 25 O/PZ. SURFACE: 50 OMS. IMPEDANCE: 50 OMS. VSWR: ABOVE THE BAND ±15.0% MAXIMUM. POWER RATING: 1 WATT MAXIMUM. OPERATING TEMPERATURE: 40°C TO 65°C ± 95% RH.
- MECHANICAL REPAIR NOTES: FLEM TEER: 4.15/1.10/0.140 TO THE CENTERLINE AND OF THE SHIM I. DIMENSIONS: 0.15/1.10/0.140 TO THE CENTERLINE AND OF THE SHIM I.
- MECHANICAL REPAIR NOTES: SHEATH PART: 1.5/1.30/1.0. CORROSION TEST: 24 HOURS WITH 5% NaOH ± 85%. SIMULATED VIBRATION WITH THE FOLLOWING CHARACTERISTICS: 1 Hz TO 1 Hz: CONSTANT ACCELERATION OF ONE INCH PEAK TO PEAK. 3 Hz TO 1000 Hz: CONSTANT ACCELERATION OF 15.0 G.
- PARTING LINE FLASH: 0.05/0.13 MAXIMUM. PARTING LINE LOCATION TO BE APPROVED BY INTERTEC ENGINEERING.
- GATE BURR/0.10/0.051 MAXIMUM. GATING LOCATIONS TO BE APPROVED BY INTERTEC ENGINEERING.
- PART TO BE FIRE OF MODIFIED RELEASE.
- CHANGES IN OTHER CAD MATERIALS.

**ADVANCE
COPY**



CABLE NOT SHOWN IN ALL VIEWS

- 15
- 16
17. FINISH RATING, UL 94HB MINIMUM.
18. BAG PARTS AND MARK BAG WITH 070142 AND DATE, NUMBER TO WHICH MANUFACTURED IN SPECIFICATION 019427.
19. DIMENSIONS: INCHES ±.001

- 15
- 16
17. FINISH RATING, UL 94HB MINIMUM.
18. BAG PARTS AND MARK BAG WITH 070142 AND DATE, NUMBER TO WHICH MANUFACTURED IN SPECIFICATION 019427.
19. DIMENSIONS: INCHES ±.001

COLOR TO MATCH INTERTEC BLACK COLOR CHIP, ITEM 1.

NO TEXTURE ON THESE SURFACES.

-001

THIS DRAWING SHALL NOT BE DEREGULATED OR USED FOR ANY PURPOSE OTHER THAN THAT OF THE ORIGINAL DRAWING. ALL DIMENSIONS SHALL BE TO UNLESS OTHERWISE SPECIFIED. DIMENSIONS SHOWN IN ANGLES * 1' UNLESS OTHERWISE SPECIFIED. DIMENSIONS SHOWN IN ANGLES * 1' UNLESS OTHERWISE SPECIFIED. DIMENSIONS SHOWN IN ANGLES * 1' UNLESS OTHERWISE SPECIFIED. DIMENSIONS SHOWN IN ANGLES * 1' UNLESS OTHERWISE SPECIFIED.

CAD DREF: 070142.1C	
SYSTEM - IP	DATE: 07/29/90
DESIGNED BY: [Blank]	CHECKED BY: [Blank]
DRAWN BY: [Blank]	DATE: [Blank]
REVISED BY: [Blank]	DATE: [Blank]
APPROVED BY: [Blank]	DATE: [Blank]
SCALE: 1:1	SHEET 1 OF 1

SEE SEPARATE PARTS LIST FOR 070142-001

INTERTEC	6001 86TH AVENUE WEST
EVERETT, WA 98203-9290	
ANTENNA, ROTATION, MMXC	
D. 33A.25	070142
SCALE: 1:1	SHEET 1 OF 1

1
2
3
4
5
6
7