

Exhibit A: Antenna Information

FCC ID: HN2MG18

3.0 **Packaging:** All antennas will be packaged in containers capable of protecting them from damage in common carrier shipping and handling.

4.0 **Markings:** Individual parts will be marked with a distinguishing color code. Each container will be labeled or otherwise marked with the manufacturer's name or trademark, and the part number designation. Major shipping cartons will be marked with the Intermec part number.

5.0 **Antenna Specifications:**

- 5.1 Frequency Range: See parts tabulation
- 5.2 Antenna Gain: See parts tabulation
- 5.3 VSWR (at resonance): See parts tabulation
- 5.4 Power Rating: 10 Watts
- 5.5 Radiation: Omnidirectional
- 5.6 Polarization: Not specified
- 5.7 Nominal Impedance: 50Ω

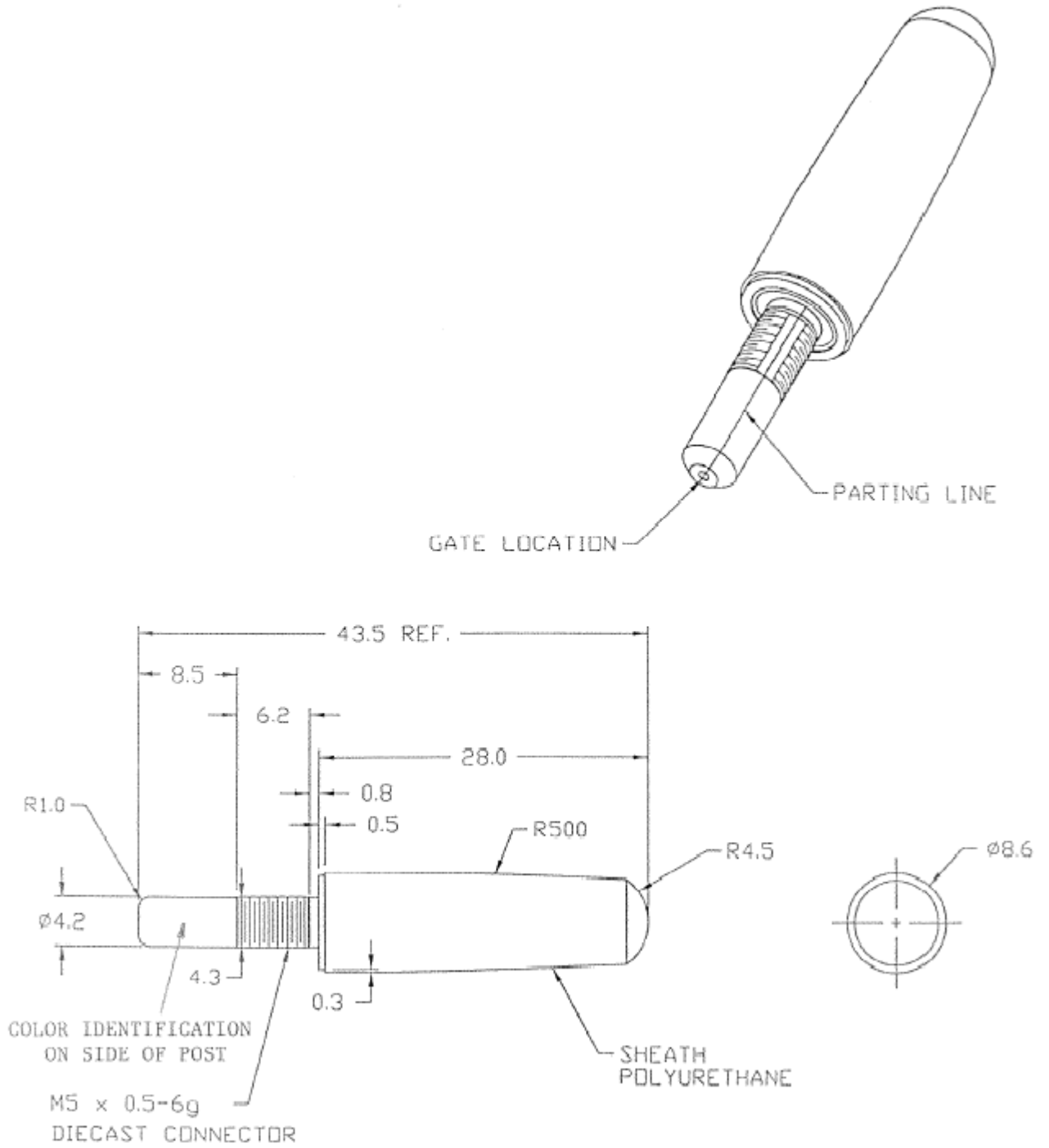
6.0 **Mechanical Ratings:**

- 6.1 Antenna Material: Not specified
- 6.2 Sheath Material: Polyurethane, black color
- 6.3 Mounting Means: Die-cast M5 x 0.5 -6g male thread mount
- 6.4 Element Length: See parts tabulation
- 6.5 Ambient Operating Temperature: -40°C to +85°C

7.0 **Parts Tabulation:**

<u>Part No.</u>	<u>Frequency Range</u>	<u>Color Code</u>	<u>Application</u>	<u>VSWR</u>	<u>Gain</u>	<u>Wave Length</u>
-001	896 to 940 MHz	green	Mobitex	<2:1	-6 dBi	1/16
-002	1710 to 1880 MHz	blue	GSM	<2:1	-3 dBi	1/8
-003	824 to 894 MHz	yellow	CDPD	<2:1	-6 dBi	1/16
-004	806 to 870 MHz	red	Motient/Ardis	<2:1	-6 dBi	1/16

8.0 Outline Drawing (mm): Rounded tip style, -001 & -002 Parts



9.0 Alternative Outline Drawing (mm): Indented tip style, -003 & -004 Parts

