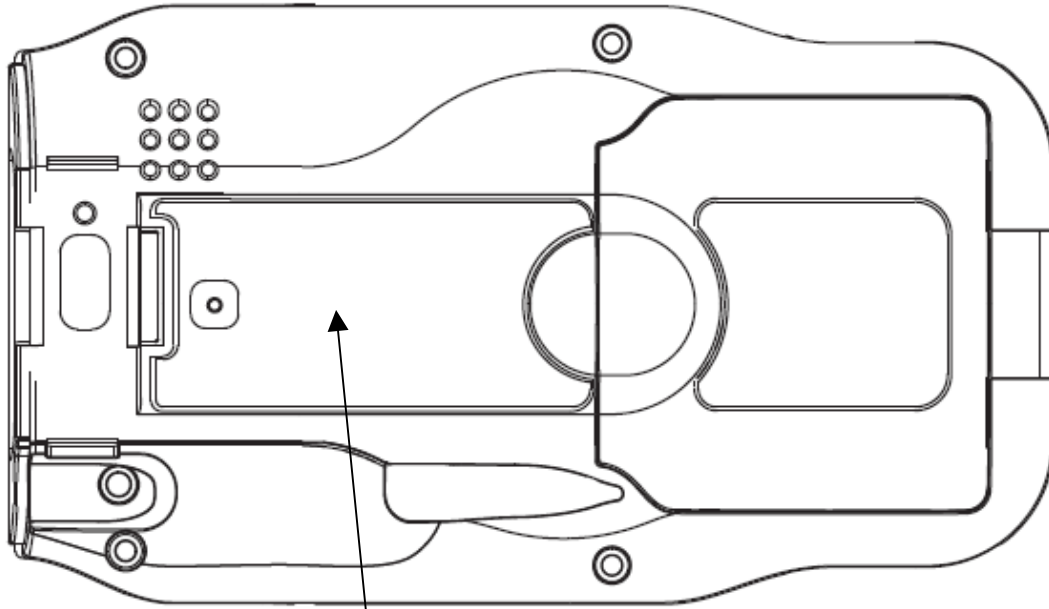


FCC Product Label



Intermec Technologies Corp
Everett, WA 98203
Model: CN2NI
Made in U.S.A.

CONTAINS TX
FCC ID: HN22011B-2
IC: 1223A-2011B
IC: ICES-003 CLASS A

Intel WCFS011BEWW
01NYA1029
Certificado
de Homologacion
RCPCJ2002-449

This device
complies with
Part 15 of the
FCC Rules.

CE 0981

UL US For use in Class I Division 2, Groups - A, B, C, D;
57LM Class II, Division 2, Groups - F, G; Class III, Division 2.
LISTED T6 50°C Max Ambient

HANDHELD COMPUTER **Caution: Use only Intermec battery 074201** **5V 2A**