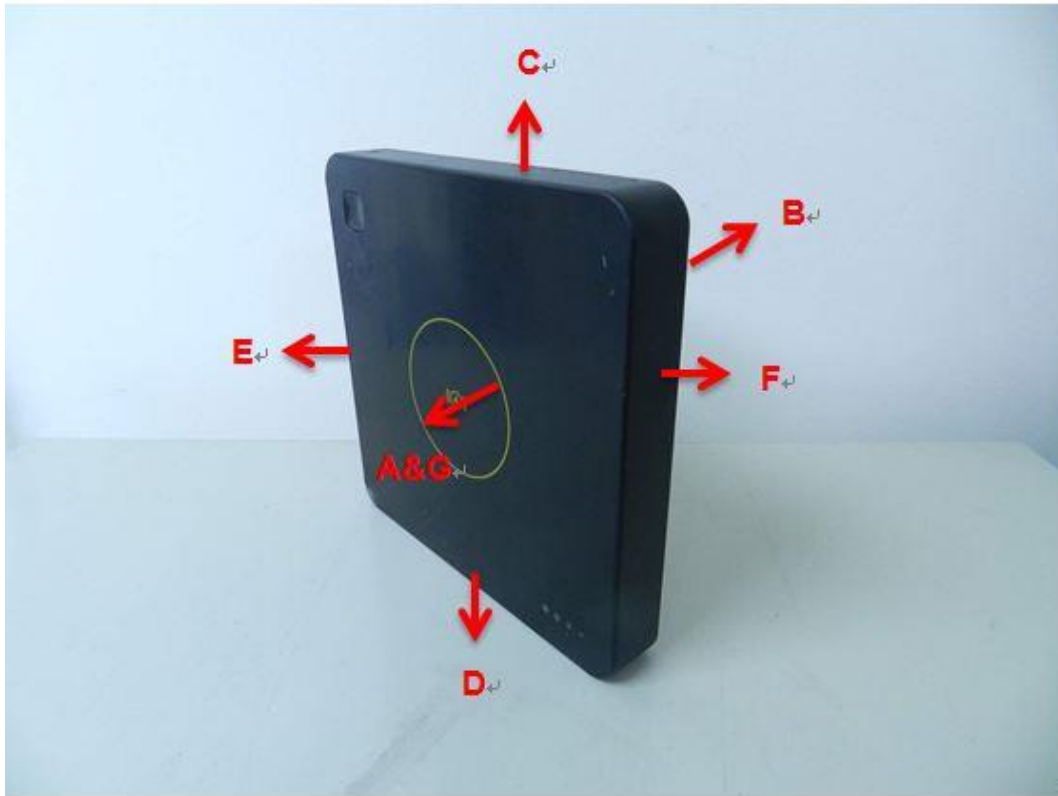


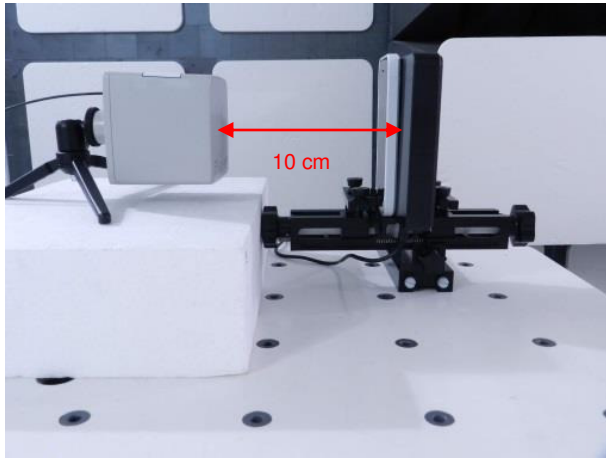
Appendix A. Test Setup Photos**EUT (Acer Wireless Power Bank)****Pond Wireless Charging (back cover)****WPC back cover with Iphone5****The Iphone5 with WPC back cover is placed on the EUT during the test.**



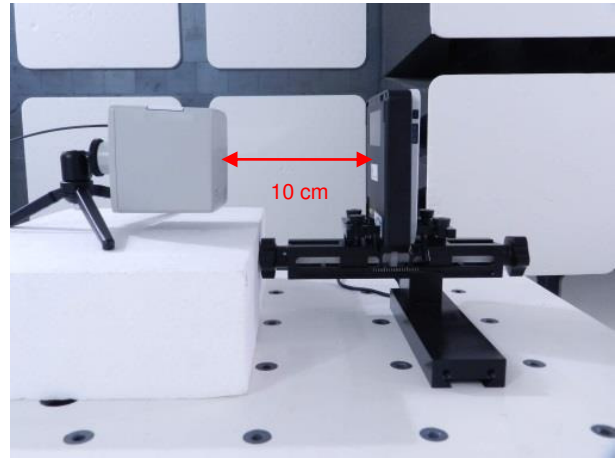
Definition of Test Position

<E&H-field Test Setup Photos>

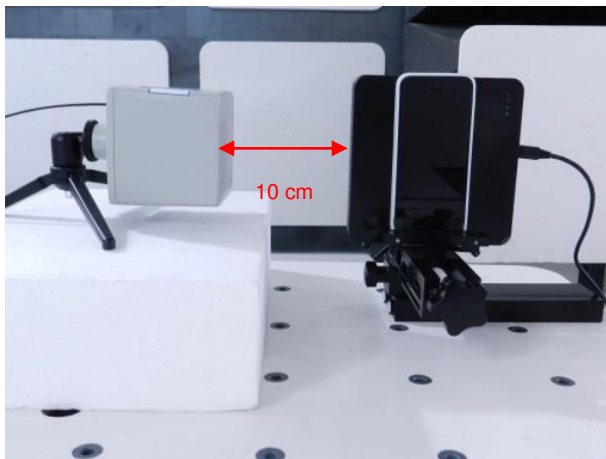
1. The equipment under test was placed on a wooden desk inside of shield room. The isotropic field probe was used to measure the field strength for 6 EUT surfaces, and during measurement a separation of 10cm is maintained between EUT surface and the center of the field probe.
2. The center position of EUT can refer the sensor datasheet.



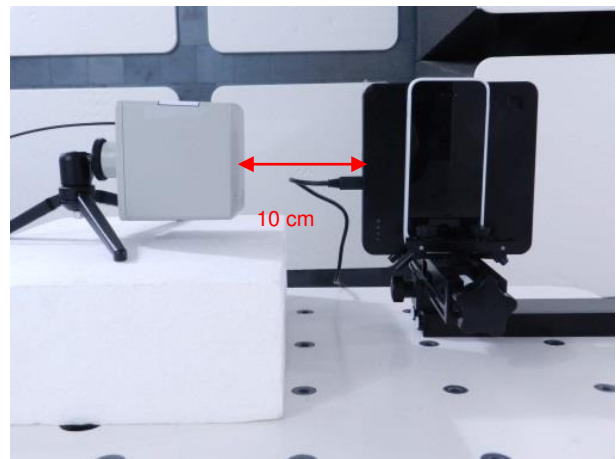
Position A



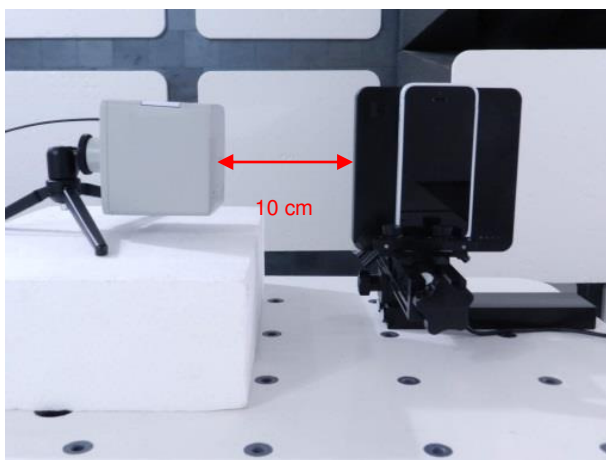
Position B



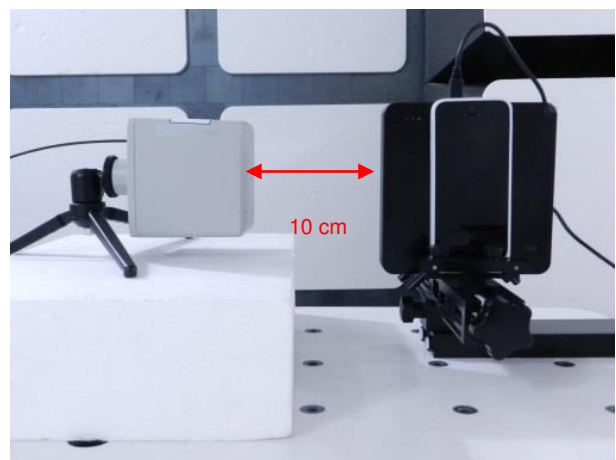
Position C



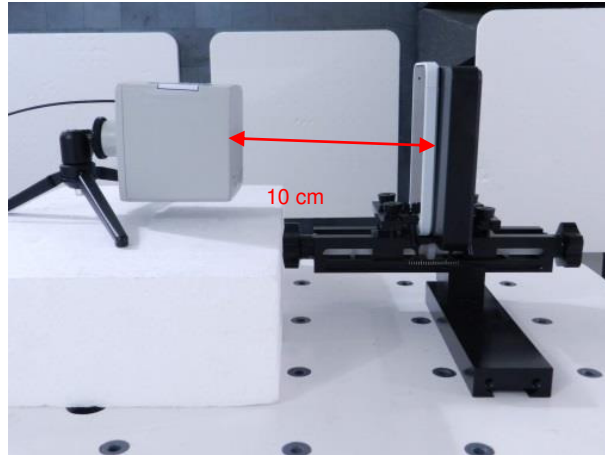
Position D



Position E



Position F



Position G (without charging cable)