

FCC SAR Test Report


APPLICANT : Acer Inc.
EQUIPMENT : Notebook Computer
BRAND NAME : Acer
MODEL NAME : KAV60, AOD210, AOD250, KAV80, KAVA0
FCC ID : HLZUNDP-1Q
STANDARD : 47 CFR Part 2 (2.1093)
IEEE C95.1-1999
OET Bulletin 65 Supplement C (Edition 01-01)

The product sample received on Mar. 16, 2009 and completely tested on Apr. 13, 2009. We, SPORTON INTERNATIONAL INC., would like to declare that the tested sample has been evaluated in accordance with the procedures and shown the compliance with the applicable technical standards.

This equipment is integrated the WWAN module (brand name: Qualcomm / model name: Gobi 1000, FCC ID: J9CUNDP-1) and WLAN Module (brand name: Atheros / model name: AR5BHB63) during the test.

The test results in this report apply exclusively to the tested model / sample. Without written approval of SPORTON INTERNATIONAL INC., the test report shall not be reproduced except in full.

Reviewed by:



Roy Wu / Manager



SPORTON INTERNATIONAL INC.

No. 52, Hwa Ya 1st Rd., Hwa Ya Technology Park, Kwei-Shan Hsiang, Tao Yuan Hsien, Taiwan, R.O.C.



Table of Contents

Revision History.....3
1. Statement of Compliance4
2. Administration Data5
2.1 Testing Laboratory5
2.2 Applicant.....5
2.3 Manufacturer5
2.4 Application Details5
3. General Information6
3.1 Description of Device Under Test (DUT).....6
3.2 Product Photos7
3.3 Applied Standards7
3.4 Device Category and SAR Limits8
3.5 Test Conditions8
3.5.1 Ambient Condition8
3.5.2 Test Configuration.....8
4. Specific Absorption Rate (SAR).....9
4.1 Introduction9
4.2 SAR Definition9
5. SAR Measurement Setup10
5.1 DASY4 E-Field Probe System11
5.1.1 E-Field Probe Specification.....11
5.1.2 E-Field Probe Calibration.....12
5.2 DATA Acquisition Electronics (DAE)13
5.3 Robot.....13
5.4 Measurement Server13
5.5 SAM Twin Phantom14
5.6 Device Holder for SAM Twin Phantom15
5.7 Data Storage and Evaluation16
5.7.1 Data Storage.....16
5.7.2 Data Evaluation16
5.8 Test Equipment List18
6. Tissue Simulating Liquids.....19
7. Uncertainty Assessment21
8. SAR Measurement Evaluation23
8.1 Purpose of System Performance check23
8.2 System Setup23
8.3 Validation Results25
9. Description for DUT Testing Position.....26
10. Measurement Procedures27
10.1 Spatial Peak SAR Evaluation.....27
10.2 Scan Procedures28
10.3 SAR Averaged Methods28
11. SAR Test Results29
11.1 Conducted Power.....29
11.2 Test Records for Body SAR Test30
12. References.....31
Appendix A - System Performance Check Data
Appendix B - SAR Measurement Data
Appendix C - Calibration Data
Appendix D - Product Photos
Appendix E - Test Setup Photos
Appendix F - FCC 3G SAR Measurement Procedures for WCDMA
Appendix G - FCC 3G SAR Measurement Procedures for CDMA2000



1. Statement of Compliance

The Specific Absorption Rate (SAR) maximum results found during testing for the **Acer Inc. Notebook Computer Acer KAV60, AOD210, AOD250, KAV80, KAVA0** are as follows (with expanded uncertainty 21.9%):

Band	Position	SAR (W/kg)
GSM850	Body	0.151
GSM1900	Body	0.015
CDMA2000 Cellular	Body	0.046
CDMA2000 PCS	Body	0.027
WCDMA Band V	Body	0.073
WCDMA Band II	Body	0.021

They are in compliance with Specific Absorption Rate (SAR) for general population/uncontrolled exposure limits specified in FCC 47 CFR part 2 (2.1093) and ANSI/IEEE C95.1-1999 and had been tested in accordance with the measurement methods and procedures specified in OET Bulletin 65 Supplement C (Edition 01-01).

2. Administration Data

2.1 Testing Laboratory

Test Site	SPORTON INTERNATIONAL INC.
Test Site Location	No. 52, Hwa Ya 1 st Rd., Hwa Ya Technology Park, Kwei-Shan Hsiang, Tao Yuan Hsien, Taiwan, R.O.C. TEL: +886-3-327-3456 FAX: +886-3-328-4978
Test Site No.	Sporton Site No. : SAR01-HY

2.2 Applicant

Company Name	Acer Inc.
Address	8F, No. 88, Sec.1, Hsin Tai Wu Rd., Hsichih Taipei Hsien 221 Taiwan, R.O.C.

2.3 Manufacturer

Company Name	<ol style="list-style-type: none"> 1. Compal Electronics (China) Co., Ltd. 2. Compal Information (Kunshan) Co., Ltd. 3. Compal Information Technology (Kunshan) Co., Ltd. 4. Compal Electronics Technology (Kunshan) Co., Ltd. 5. Kunshang Botai Electronics Co., Ltd.
Address	<ol style="list-style-type: none"> 1. No. 988, Tong Feng East Rd., Kunshan Economics & Technical Development Zone, Kunshan, Jiangsu, P.R. China 2. The Third Street, Kunshan Export Processing Zone, Jiangsu, P.R. China 3. No. 58, The 1st Street, Kunshan Export Processing Zone, Jiangsu, P.R. China 4. No. 25, The Third Street, Kunshan Export Processing Zone, Jiangsu, P.R. China 5. No. 988, Tong Feng East Rd., Kunshan Economic & Technical Development Zone, Kunshan, Jiangsu, P.R. China

2.4 Application Details

Date of Receipt of Application	Mar. 16, 2009
Date of Start during the Test	Apr. 09, 2009
Date of End during the Test	Apr. 13, 2009



3. General Information

3.1 Description of Device Under Test (DUT)

Product Feature & Specification	
DUT Type	Notebook Computer
Trade Name	Acer
Model Name	KAV60, AOD210, AOD250, KAV80, KAVA0
FCC ID	HLZUNDP-1Q
Tx Frequency	GSM850 : 824 MHz ~ 849 MHz GSM1900 : 1850 MHz ~ 1910 MHz CDMA2000 Cellular : 824 MHz ~ 849 MHz CDMA2000 PCS : 1850 MHz ~ 1910 MHz WCDMA Band V : 824 MHz ~ 849 MHz WCDMA Band II : 1850 MHz ~ 1910 MHz
Rx Frequency	GSM850 : 869 MHz ~ 894 MHz GSM1900 : 1930 MHz ~ 1990 MHz CDMA2000 Cellular : 869 MHz ~ 894 MHz CDMA2000 PCS : 1930 MHz ~ 1990 MHz WCDMA Band V : 869 MHz ~ 894 MHz WCDMA Band II : 1930 MHz ~ 1990 MHz
Maximum Output Power to Antenna	GSM850 : 32.42 dBm GSM1900 : 29.28 dBm CDMA2000 Cellular (1xEV-DO Rev. A) : 25.00 dBm CDMA2000 PCS (1xEV-DO Rev. A) : 24.88 dBm WCDMA Band V : 24.53 dBm WCDMA Band II : 24.15 dBm
Antenna Type	Fixed Internal Antenna
HW Version	M/B: 0.2
SW Version	BIOS: 0.05
HW Version (Module)	P7
SW Version (Module)	D4352
Type of Modulation	GSM / GPRS : GMSK EDGE : 8PSK CDMA2000 : QPSK WCDMA : QPSK HSDPA : QPSK / 16QAM HSUPA : BPSK
DUT Stage	Production Unit

Note: The DUT has two kinds of color for the appearance. The black one is integrated GSM/WCDMA antenna, and the red one is integrated CDMA2000 antenna.

List of Accessory:

Specification of Accessory		
AC Adapter	Brand Name	HIPRO
	Model Name	HP-A0301R3
	Power Rating	I/P:100-240Vac, 50-60Hz, 1000mA; O/P: 19Vdc, 1580mA, 30W
	AC Power Cord Type	1.5 meter shielded cable without ferrite core
Battery	Brand Name	Panasonic
	Model Name	UM08A51
	Power Rating	10.8Vdc, 2200mAh, 24Wh
	Type	Li-ion
WWAN Module	Brand Name	Qualcomm
	Model Name	Gobi 1000
WLAN Module	Brand Name	Atheros
	Model Name	AR5BHB63

Remark: The above DUT's information was declared by manufacturer. Please refer to the specifications or user's manual for more detailed description.

3.2 Product Photos

Refer to Appendix D.

3.3 Applied Standards

The Specific Absorption Rate (SAR) testing specification, method and procedure for this Notebook Computer is in accordance with the following standards:

- 47 CFR Part 2 (2.1093)
- IEEE C95.1-1999
- OET Bulletin 65 Supplement C (Edition 01-01)
- Preliminary Guidance for Reviewing Applications for Certification of 3G Device. May 2006
- KDB 447498 D01 v03r03
- KDB 941225 D01 v02
- KDB 941225 D03 v01

3.4 Device Category and SAR Limits

This device belongs to portable device category because its radiating structure is allowed to be used within 20 centimeters of the body of the user. Limit for General Population/Uncontrolled exposure should be applied for this device, it is 1.6 W/kg as averaged over any 1 gram of tissue.

3.5 Test Conditions

3.5.1 Ambient Condition

Ambient Temperature	20-24
Humidity	<60 %

3.5.2 Test Configuration

The device was controlled by using a base station emulator R&S CMU200. Communication between the device and the emulator was established by air link. The distance between the DUT and the antenna of the emulator is larger than 50 cm and the output power radiated from the emulator antenna is at least 30 dB smaller than the output power of DUT. The DUT was set from the emulator to radiate maximum output power during all tests.

For SAR testing, DUT is in GPRS or CDMA2000 or WCDMA link mode. In GPRS link mode, the DUT was set in GPRS multi-slot class 10 with 2 uplink slots due to highest source-based time-averaged output power. The source-based time-averaged output power list is as follow:

Source-Based Time-Averaged Output Power (dBm)						
Mode \ Channel	GSM 850			GSM 1900		
	128	189	251	512	661	810
GPRS 8	23.10	23.23	23.42	20.22	20.28	20.14
GPRS 10	26.02	26.15	26.36	23.12	23.16	23.06
EGPRS 8	17.53	17.57	17.67	16.74	16.79	16.64
EGPRS 10	20.53	20.55	20.66	19.69	19.76	19.60

The crest factor is 4 for GPRS multi-slot class 10, and crest factor is 1 for CDMA2000 and WCDMA.

4. Specific Absorption Rate (SAR)

4.1 Introduction

SAR is related to the rate at which energy is absorbed per unit mass in an object exposed to a radio field. The SAR distribution in a biological body is complicated and is usually carried out by experimental techniques or numerical modeling. The standard recommends limits for two tiers of groups, occupational/controlled and general population/uncontrolled, based on a person's awareness and ability to exercise control over his or her exposure. In general, occupational/controlled exposure limits are higher than the limits for general population/uncontrolled.

4.2 SAR Definition

The SAR definition is the time derivative (rate) of the incremental energy (dW) absorbed by (dissipated in) an incremental mass (dm) contained in a volume element (dv) of a given density.

ρ). The equation description is as below:

$$\text{SAR} = \frac{d}{dt} \left(\frac{dW}{dm} \right) = \frac{d}{dt} \left(\frac{dW}{\rho dv} \right)$$

SAR is expressed in units of Watts per kilogram (W/kg)

SAR measurement can be either related to the temperature elevation in tissue by

$$\text{SAR} = C \frac{\delta T}{\delta t}$$

, where C is the specific heat capacity, δT is the temperature rise and δt the exposure duration, or related to the electrical field in the tissue by

$$\text{SAR} = \frac{\sigma |E|^2}{\rho}$$

, where σ is the conductivity of the tissue, ρ is the mass density of the tissue and E is the rms electrical field strength.

However for evaluating SAR of low power transmitter, electrical field measurement is typically applied.

5. SAR Measurement Setup

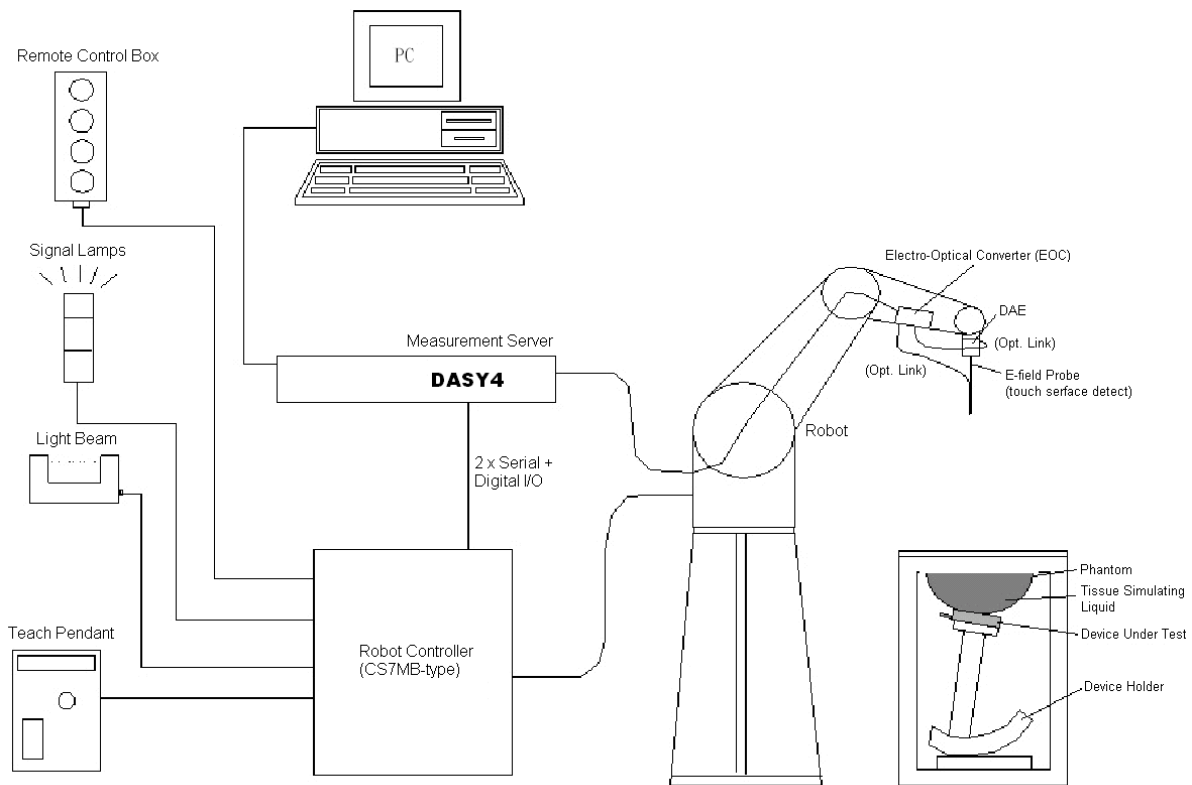


Fig. 5.1 DASY4 System

The DASY4 system for performance compliance tests is illustrated above graphically. This system consists of the following items:

- A standard high precision 6-axis robot with controller, a teach pendant and software
- A data acquisition electronic (DAE) attached to the robot arm extension
- A dosimetric probe equipped with an optical surface detector system
- The electro-optical converter (ECO) performs the conversion between optical and electrical signals
- A measurement server performs the time critical tasks such as signal filtering, control of the robot operation and fast movement interrupts.
- A probe alignment unit which improves the accuracy of the probe positioning
- A computer operating Windows XP
- DASY4 software
- Remote control with teach pendant and additional circuitry for robot safety such as warming lamps, etc.
- The SAM twin phantom
- A device holder
- Tissue simulating liquid
- Dipole for evaluating the proper functioning of the system

Some of the components are described in details in the following sub-sections.

5.1 DASY4 E-Field Probe System

The SAR measurement is conducted with the dosimetric probe (manufactured by SPEAG).The probe is specially designed and calibrated for use in liquid with high permittivity. The dosimetric probe has special calibration in liquid at different frequency. This probe has a built in optical surface detection system to prevent from collision with phantom.

**5.1.1 E-Field Probe Specification
<ET3DV6>**


Construction	Symmetrical design with triangular core Built-in optical fiber for surface detection system Built-in shielding against static charges PEEK enclosure material (resistant to organic solvents)	
Frequency	10 MHz to 3 GHz	
Directivity	± 0.2 dB in brain tissue (rotation around probe axis) ± 0.4 dB in brain tissue (rotation perpendicular to probe axis)	
Dynamic Range	5µW/g to 100mW/g; Linearity: ±0.2dB	
Surface Detection	± 0.2 mm repeatability in air and clear liquids on reflecting surface	
Dimensions	Overall length: 330mm Tip length: 16mm Body diameter: 12mm Tip diameter: 6.8mm Distance from probe tip to dipole centers: 2.7mm	
Application	General dosimetry up to 3GHz Compliance tests for mobile phones and Wireless LAN Fast automatic scanning in arbitrary phantoms	

Fig 5.2 Probe Setup on Robot



5.1.2 E-Field Probe Calibration

Each probe needs to be calibrated according to a dosimetric assessment procedure with accuracy better than $\pm 10\%$. The spherical isotropy shall be evaluated and within $\pm 0.25\text{dB}$. The sensitivity parameters (NormX, NormY, and NormZ), the diode compression parameter (DCP) and the conversion factor (ConvF) of the probe are tested. The calibration data are as below:

ET3DV6 sn1787 (Cal: Aug. 26, 2008)			
Item	X axis	Y axis	Z axis
Sensitivity (μV)	1.63	1.67	2.18
Diode Compression Point (mV)	90	93	92
Conversion Factor (Head / Body)	Frequency (MHz)	X,Y,Z axis	
	800~1000	6.06 / 5.91	
	1650~1850	5.36 / 4.73	
	1850~2050	5.01 / 4.49	
	2350~2550	4.49 / 3.79	
Boundary Effect (Head / Body)	Frequency (MHz)	Alpha	Depth
	800~1000	0.30 / 0.31	2.80 / 2.98
	1650~1850	0.53 / 0.60	2.11 / 2.20
	1850~2050	0.59 / 0.68	1.96 / 1.95
	2350~2550	0.77 / 0.90	1.57 / 1.51

ET3DV6 sn1788 (Cal: Sep. 23, 2008)			
Item	X axis	Y axis	Z axis
Sensitivity (μV)	1.73	1.59	1.72
Diode Compression Point (mV)	95	98	91
Conversion Factor (Head / Body)	Frequency (MHz)	X,Y,Z axis	
	800~1000	6.55 / 6.34	
	1650~1850	5.59 / 4.87	
	1850~2050	5.13 / 4.73	
	2350~2550	4.68 / 3.98	
Boundary Effect (Head / Body)	Frequency (MHz)	Alpha	Depth
	800~1000	0.44 / 0.50	2.65 / 2.48
	1650~1850	0.68 / 0.63	1.98 / 2.33
	1850~2050	0.75 / 0.74	1.75 / 1.99
	2350~2550	0.80 / 0.94	1.45 / 1.75

NOTE: The probe parameters have been calibrated by the SPEAG.

5.2 DATA Acquisition Electronics (DAE)

The data acquisition electronics (DAE) consists of a highly sensitive electrometer-grade preamplifier with auto-zeroing, a channel and gain-switching multiplexer, a fast 16 bit AD-converter and a command decoder and control logic unit. Transmission to the measurement server is accomplished through an optical downlink for data and status information as well as an optical uplink for commands and the clock.

The mechanical probe mounting device includes two different sensor systems for frontal and sideways probe contacts. They are used for mechanical surface detection and probe collision detection.

The input impedance of the DAE4 is 200M Ohm; the inputs are symmetrical and floating. Common mode rejection is above 80dB.

5.3 Robot

The DASY4 system uses the high precision robots RX90BL type out of the newer series from Stäubli SA (France). For the 6-axis controller DASY4 system, the CS7MB robot controller version from Stäubli is used. The RX robot series have many features that are important for our application:

- High precision (repeatability 0.02 mm)
- High reliability (industrial design)
- Jerk-free straight movements
- Low ELF interference (the closed metallic construction shields against motor control fields)
- 6-axis controller

5.4 Measurement Server

The DASY4 measurement server is based on a PC/104 CPU board with
166 MHz CPU
32 MB chipset and
64 MB RAM.

Communication with
the DAE4 electronic box
the 16-bit AD-converter system for optical detection and digital I/O interface.

The measurement server performs all the real-time data evaluation for field measurements and surface detection, controls robot movements and handles safety operations.

5.5 SAM Twin Phantom

The SAM twin phantom is a fiberglass shell phantom with 2mm shell thickness (except the ear region where shell thickness increases to 6mm). It has three measurement areas:

- Left head
- Right head
- Flat phantom

The bottom plate contains three pair of bolts for locking the device holder. The device holder positions are adjusted to the standard measurement positions in the three sections. A white cover is provided to tap the phantom during off-periods to prevent water evaporation and changes in the liquid parameters. On the phantom top, three reference markers are provided to identify the phantom position with respect to the robot.

The phantom can be used with the following tissue simulating liquids:

- *Water-sugar based liquid
- *Glycol based liquids

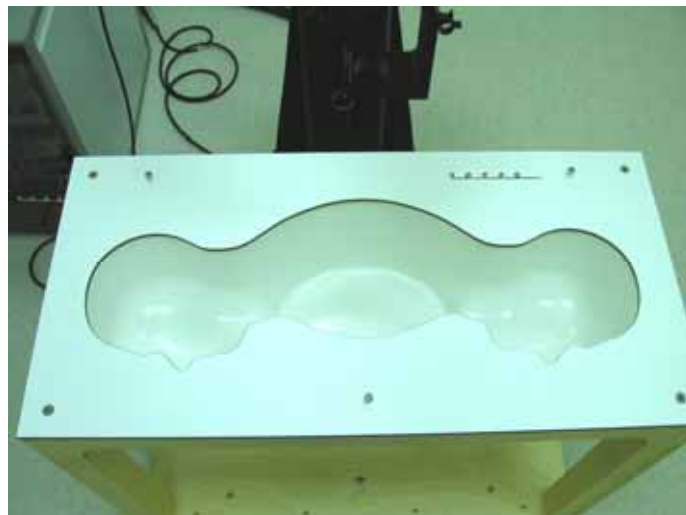


Fig. 5.3 Top View of Twin Phantom



Fig. 5.4 Bottom View of Twin Phantom

5.6 Device Holder for SAM Twin Phantom

The SAR in the Phantom is approximately inversely proportional to the square of the distance between the source and the liquid surface. For a source in 5 mm distance, a positioning uncertainty of $\pm 0.5\text{mm}$ would produce a SAR uncertainty of $\pm 20\%$. An accurate device position is therefore crucial for accurate and repeatable measurement. The position in which the devices must be measured, are defined by the standards.

The DASY4 device holder is designed to cope with different positions given in the standard. It has two scales for the device rotation (with respect to the body axis) and the device inclination (with respect to the line between the ear reference points). The rotation center for both scales is the ear reference point (EPR).

Thus the device needs no repositioning when changing the angles.

The DASY4 device holder has been made out of low-loss POM material having the following dielectric parameters: relative permittivity $\epsilon_r = 3$ and loss tangent $\delta = 0.02$. The amount of dielectric material has been reduced in the closest vicinity of the device, since measurements have suggested that the influence of the clamp on the test results could thus be lowered.



Fig. 5.5 Device Holder



5.7 Data Storage and Evaluation

5.7.1 Data Storage

The DASY4 software stores the assessed data from the data acquisition electronics as raw data (in microvolt readings from the probe sensors), together with all the necessary software parameters for the data evaluation (probe calibration data, liquid parameters and device frequency and modulation data) in measurement files with the extension. The post-processing software evaluates the desired unit and format for output each time the data is visualized or exported. This allows verification of the complete software setup even after the measurement and allows correction of erroneous parameter settings. For example, if a measurement has been performed with an incorrect crest factor parameter in the device setup, the parameter can be corrected afterwards and the data can be reevaluated.

The measured data can be visualized or exported in different units or formats, depending on the selected probe type (e.g., [V/m], [A/m], [mW/g]). Some of these units are not available in certain situations or give meaningless results, e.g., a SAR-output in a non-lose media, will always be zero. Raw data can also be exported to perform the evaluation with other software packages.

5.7.2 Data Evaluation

The DASY4 post-processing software (SEMCAD) automatically executes the following procedures to calculate the field units from the microvolt readings at the probe connector. The parameters used in the evaluation are stored in the configuration modules of the software :

Probe parameters :	- Sensitivity	Norm _j , a _ρ , a _{i1} , a ₂
	- Conversion factor	ConvF _j
	- Diode compression point	dcp _j
Device parameters :	- Frequency	f
	- Crest factor	cf
Media parameters :	- Conductivity	σ
	- Density	ρ

These parameters must be set correctly in the software. They can be found in the component documents or they can be imported into the software from the configuration files issued for the DASY4 components. In the direct measuring mode of the multi-meter option, the parameters of the actual system setup are used. In the scan visualization and export modes, the parameters stored in the corresponding document files are used.

The first step of the evaluation is a linearization of the filtered input signal to account for the compression characteristics of the detector diode. The compensation depends on the input signal, the diode type and the DC-transmission factor from the diode to the evaluation electronics. If the exciting field is pulsed, the crest factor of the signal must be known to correctly compensate for peak power.

The formula for each channel can be given as :

$$V_i = U_i + U_i^2 \cdot \frac{cf}{dcp_i}$$

with **V_i** = compensated signal of channel i ($i = x, y, z$)
 U_i = input signal of channel i ($i = x, y, z$)
 cf = crest factor of exciting field (DASY parameter)
 dcp_i = diode compression point (DASY parameter)

From the compensated input signals, the primary field data for each channel can be evaluated :

$$\text{E-field probes : } E_i = \sqrt{\frac{V_i}{Norm_i ConvF}}$$

$$\text{H-field probes : } H_i = \sqrt{V_i \frac{a_{i0} + a_{i1}f + a_{i2}f^2}{f}}$$

with **V_i** = compensated signal of channel i ($i = x, y, z$)
 $Norm_i$ = sensor sensitivity of channel i ($i = x, y, z$)
 $\mu V/(V/m)^2$ for E-field Probes
 $ConvF$ = sensitivity enhancement in solution
 a_{ij} = sensor sensitivity factors for H-field probes
 f = carrier frequency [GHz]
 E_i = electric field strength of channel i in V/m
 H_i = magnetic field strength of channel i in A/m

The RSS value of the field components gives the total field strength (Hermitian magnitude) :

$$E_{tot} = \sqrt{E_x^2 + E_y^2 + E_z^2}$$

The primary field data are used to calculate the derived field units.

$$SAR = E_{tot}^2 \cdot \frac{\sigma}{\rho \cdot 1000}$$

with **SAR** = local specific absorption rate in mW/g
 E_{tot} = total field strength in V/m
 σ = conductivity in [mho/m] or [Siemens/m]
 ρ = equivalent tissue density in g/cm^3

* Note that the density is set to 1, to account for actual head tissue density rather than the density of the tissue simulating liquid.

The power flow density is calculated assuming the excitation field to be a free space field.

$$P_{pwe} = \frac{E_{tot}^2}{3770} \quad \text{or} \quad P_{pwe} = H_{tot}^2 \cdot 37.7$$

with **P_{pwe}** = equivalent power density of a plane wave in mW/cm^2
 E_{tot} = total electric field strength in V/m
 H_{tot} = total magnetic field strength in A/m



5.8 Test Equipment List

Manufacturer	Name of Equipment	Type/Model	Serial Number	Calibration	
				Last Cal.	Due Date
SPEAG	Dosimetric E-Filed Probe	ET3DV6	1787	Aug. 26, 2008	Aug. 25, 2009
SPEAG	Dosimetric E-Filed Probe	ET3DV6	1788	Sep. 23, 2008	Sep. 22, 2009
SPEAG	Dosimetric E-Filed Probe	EX3DV3	3514	Jan. 21, 2009	Jan. 20, 2010
SPEAG	835MHz System Validation Kit	D835V2	499	Mar. 17, 2008	Mar. 16, 2010
SPEAG	900MHz System Validation Kit	D900V2	190	Jul. 16, 2007	Jul. 15, 2009
SPEAG	1800MHz System Validation Kit	D1800V2	2d076	Jul. 10, 2007	Jul. 09, 2009
SPEAG	1900MHz System Validation Kit	D1900V2	5d041	Mar. 28, 2008	Mar. 27, 2010
SPEAG	2000MHz System Validation Kit	D2000V2	1010	Sep. 17, 2008	Sep. 16, 2010
SPEAG	2300MHz System Validation Kit	D2300V2	1006	Sep. 12, 2007	Sep. 11, 2009
SPEAG	2450MHz System Validation Kit	D2450V2	736	Jul. 12, 2007	Jul. 11, 2009
SPEAG	2600MHz System Validation Kit	D2600V2	1008	Sep. 12, 2007	Sep. 11, 2009
SPEAG	3500MHz System Validation Kit	D3500V2	1014	Sep. 19, 2007	Sep. 18, 2009
SPEAG	5GHz System Validation Kit	D5GHzV2	1006	Jan. 24, 2008	Jan. 23, 2010
SPEAG	Data Acquisition Electronics	DAE3	577	Nov. 12, 2008	Nov. 11, 2009
SPEAG	Data Acquisition Electronics	DAE4	778	Sep. 22, 2008	Sep. 21, 2009
SPEAG	Device Holder	N/A	N/A	NCR	NCR
SPEAG	SAM Phantom	QD 000 P40 C	TP-1303	NCR	NCR
SPEAG	SAM Phantom	QD 000 P40 C	TP-1383	NCR	NCR
SPEAG	SAM Phantom	QD 000 P40 C	TP-1446	NCR	NCR
SPEAG	SAM Phantom	QD 000 P40 C	TP-1477	NCR	NCR
SPEAG	ELI4 Phantom	QD 0VA 001 BB	1026	NCR	NCR
SPEAG	ELI4 Phantom	QD 0VA 001 BA	1029	NCR	NCR
Agilent	ENA Series Network Analyzer	E5071C	MY46100746	Jan. 20, 2009	Jan. 19, 2010
Agilent	Wireless Communication Test Set	E5515C	MY48360820	Dec. 15, 2008	Dec. 14, 2009
R&S	Universal Radio Communication Tester	CMU200	105934	Nov. 11, 2008	Nov. 10, 2009
Agilent	Dielectric Probe Kit	85070D	US01440205	NCR	NCR
Agilent	Dual Directional Coupler	778D	50422	NCR	NCR
AR	Power Amplifier	5S1G4M2	0328767	NCR	NCR
R&S	Power Meter	NRVD	101394	Oct. 20, 2008	Oct. 19, 2009
R&S	Power Sensor	NRV-Z1	100130	Oct. 20, 2008	Oct. 19, 2009

Table 5.1 Test Equipment List

6. Tissue Simulating Liquids

For the measurement of the field distribution inside the SAM phantom with DASY4, the phantom must be filled with around 25 liters of homogeneous tissue simulating liquid. The liquid height from the ear reference point (ERP) of the phantom to the liquid top surface is (head SAR) or from the flat phantom to the liquid top surface (body SAR) is 15.2cm.

The following ingredients for tissue simulating liquid are used:

- **Water:** deionized water (pure H₂O), resistivity 16MΩ- as basis for the liquid
- **Sugar:** refined sugar in crystals, as available in food shops – to reduce relative permittivity
- **Salt:** pure NaCl – to increase conductivity
- **Cellulose:** Hydroxyethyl-cellulose, medium viscosity (75-125 mPa.s, 2% in water, 20°C), CAS#54290-to increase viscosity and to keep sugar in solution.
- **Preservative:** Preventol D-7 Bayer AG, D-51368 Leverkusen, CAS#55965-84-9- to prevent the spread of bacteria and molds.
- **DGMBE:** Deithlenglycol-monobutyl ether (DGMBE), Fluka Chemie GmbH, CAS#112-34-5 – to reduce relative permittivity.

Table 6.1 gives the recipes for tissue simulating liquid.

Frequency (MHz)	Water (%)	Sugar (%)	Cellulose (%)	Salt (%)	Preventol (%)	DGMBE (%)	Conductivity (σ)	Permittivity (ε _r)
For Head								
835	40.3	57.9	0.2	1.4	0.2	0	0.90	41.5
900	40.3	57.9	0.2	1.4	0.2	0	0.97	41.5
1800, 1900, 2000	55.2	0	0	0.3	0	44.5	1.40	40.0
2450	55.0	0	0	0	0	45.0	1.80	39.2
For Body								
835	50.8	48.2	0	0.9	0.1	0	0.97	55.2
900	50.8	48.2	0	0.9	0.1	0	1.05	55.0
1800, 1900, 2000	70.2	0	0	0.4	0	29.4	1.52	53.3
2450	68.6	0	0	0	0	31.4	1.95	52.7

Table 6.1 Recipes of Tissue Simulating Liquid



Table 6.2 gives the targets for tissue simulating liquid.

Frequency (MHz)	Liquid Type	Conductivity (σ)	$\pm 5\%$ Range	Permittivity (ϵ_r)	$\pm 5\%$ Range
835	Head	0.90	0.86 ~ 0.95	41.5	39.4 ~ 43.6
900	Head	0.97	0.92 ~ 1.02	41.5	39.4 ~ 43.6
1800, 1900, 2000	Head	1.40	1.33 ~ 1.47	40.0	38.0 ~ 42.0
2450	Head	1.80	1.71 ~ 1.89	39.2	37.2 ~ 41.2
835	Body	0.97	0.92 ~ 1.02	55.2	52.4 ~ 58.0
900	Body	1.05	1.00 ~ 1.10	55.0	52.3 ~ 57.8
1800, 1900, 2000	Body	1.52	1.44 ~ 1.60	53.3	50.6 ~ 56.0
2450	Body	1.95	1.85 ~ 2.05	52.7	50.1 ~ 55.3

Table 6.2 Targets of Tissue Simulating Liquid

The dielectric parameters of the liquids were verified prior to the SAR evaluation using an Agilent 85070D Dielectric Probe Kit and an Agilent Network Analyzer.

Table 6.3 shows the measuring results for simulating liquid.

Band	Position	Temperature ()	Frequency (MHz)	Conductivity (σ)	Permittivity (ϵ_r)	Measurement date
GSM850	Body	21.5	824.20	0.964	53.0	Apr. 09, 2009
			836.40	0.977	52.9	
			848.80	0.990	52.7	
GSM1900	Body	21.3	1850.20	1.49	52.4	Apr. 10, 2009
			1880.00	1.52	52.3	
			1909.80	1.56	52.2	
CDMA2000 Cellular	Body	21.9	824.70	0.965	53.1	Apr. 13, 2009
			836.52	0.978	53.0	
			848.31	0.989	52.9	
CDMA2000 PCS	Body	21.3	1851.25	1.49	52.4	Apr. 10, 2009
			1880.00	1.52	52.3	
			1908.75	1.56	52.2	
WCDMA Band V	Body	21.9	826.40	0.966	53.1	Apr. 13, 2009
			836.40	0.977	53.0	
			846.60	0.988	52.9	
WCDMA Band II	Body	21.3	1852.40	1.49	52.4	Apr. 10, 2009
			1880.00	1.52	52.3	
			1907.60	1.56	52.2	

Table 6.3 Measuring Results for Simulating Liquid

7. Uncertainty Assessment

The component of uncertainty may generally be categorized according to the methods used to evaluate them. The evaluation of uncertainty by the statistical analysis of a series of observations is termed a Type A evaluation of uncertainty. The evaluation of uncertainty by means other than the statistical analysis of a series of observations is termed a Type B evaluation of uncertainty. Each component of uncertainty, however evaluated, is represented by an estimated standard deviation, termed standard uncertainty, which is determined by the positive square root of the estimated variance.

A Type A evaluation of standard uncertainty may be based on any valid statistical method for treating data. This includes calculating the standard deviation of the mean of a series of independent observations; using the method of least squares to fit a curve to the data in order to estimate the parameter of the curve and their standard deviations; or carrying out an analysis of variance in order to identify and quantify random effects in certain kinds of measurement.

A type B evaluation of standard uncertainty is typically based on scientific judgment using all of the relevant information available. These may include previous measurement data, experience and knowledge of the behavior and properties of relevant materials and instruments, manufacturer's specification, data provided in calibration reports and uncertainties assigned to reference data taken from handbooks. Broadly speaking, the uncertainty is either obtained from an outdoor source or obtained from an assumed distribution, such as the normal distribution, rectangular or triangular distributions indicated in Table 7.1

Uncertainty Distributions	Normal	Rectangular	Triangular	U-shape
Multiplying factor^(a)	$1/k$ ^(b)	$1/\sqrt{3}$	$1/\sqrt{6}$	$1/\sqrt{2}$

(a) standard uncertainty is determined as the product of the multiplying factor and the estimated range of variations in the measured quantity

(b) k is the coverage factor

Table 7.1 Standard Uncertainty for Assumed Distribution

The combined standard uncertainty of the measurement result represents the estimated standard deviation of the result. It is obtained by combining the individual standard uncertainties of both Type A and Type B evaluation using the usual "root-sum-squares" (RSS) methods of combining standard deviations by taking the positive square root of the estimated variances.

Expanded uncertainty is a measure of uncertainty that defines an interval about the measurement result within which the measured value is confidently believed to lie. It is obtained by multiplying the combined standard uncertainty by a coverage factor. Typically, the coverage factor ranges from 2 to 3. Using a coverage factor allows the true value of a measured quantity to be specified with a defined probability within the specified uncertainty range. For purpose of this document, a coverage factor two is used, which corresponds to confidence interval of about 95 %. The DASY4 uncertainty Budget is showed in Table 7.2.



Error Description	Uncertainty Value ± %	Probability Distribution	Divisor	Ci (1g)	Standard Unc. (1g)	vi or Veff
Measurement Equipment						
Probe Calibration	±5.9 %	Normal	1	1	±5.9 %	∞
Axial Isotropy	±4.7 %	Rectangular	√3	0.7	±1.9 %	∞
Hemispherical Isotropy	±9.6 %	Rectangular	√3	0.7	±3.9 %	∞
Boundary Effects	±1.0 %	Rectangular	√3	1	±0.6 %	∞
Linearity	±4.7 %	Rectangular	√3	1	±2.7 %	∞
System Detection Limits	±1.0 %	Rectangular	√3	1	±0.6 %	∞
Readout Electronics	±0.3 %	Normal	1	1	±0.3 %	∞
Response Time	±0.8 %	Rectangular	√3	1	±0.5 %	∞
Integration Time	±2.6 %	Rectangular	√3	1	±1.5 %	∞
RF Ambient Noise	±3.0 %	Rectangular	√3	1	±1.7 %	∞
RF Ambient Reflections	±3.0 %	Rectangular	√3	1	±1.7 %	∞
Probe Positioner	±0.4 %	Rectangular	√3	1	±0.2 %	∞
Probe Positioning	±2.9 %	Rectangular	√3	1	±1.7 %	∞
Max. SAR Eval.	±1.0 %	Rectangular	√3	1	±0.6 %	∞
Test Sample Related						
Device Positioning	±2.9 %	Normal	1	1	±2.9	145
Device Holder	±3.6 %	Normal	1	1	±3.6	5
Power Drift	±5.0 %	Rectangular	√3	1	±2.9	∞
Phantom and Setup						
Phantom Uncertainty	±4.0 %	Rectangular	√3	1	±2.3	∞
Liquid Conductivity (target)	±5.0 %	Rectangular	√3	0.64	±1.8	∞
Liquid Conductivity (meas.)	±2.5 %	Normal	1	0.64	±1.6	∞
Liquid Permittivity (target)	±5.0 %	Rectangular	√3	0.6	±1.7	∞
Liquid Permittivity (meas.)	±2.5 %	Normal	1	0.6	±1.5	∞
Combined Standard Uncertainty					±10.9	387
Coverage Factor for 95 %		K=2				
Expanded uncertainty (Coverage factor = 2)					±21.9	

Table 7.2 Uncertainty Budget of DASY4

8. SAR Measurement Evaluation

Each DASY4 system is equipped with one or more system validation kits. These units, together with the predefined measurement procedures within the DASY4 software, enable the user to conduct the system performance check and system validation. System validation kit includes a dipole, tripod holder to fix it underneath the flat phantom and a corresponding distance holder.

8.1 Purpose of System Performance check

The system performance check verifies that the system operates within its specifications. System and operator errors can be detected and corrected. It is recommended that the system performance check be performed prior to any usage of the system in order to guarantee reproducible results. The system performance check uses normal SAR measurements in a simplified setup with a well characterized source. This setup was selected to give a high sensitivity to all parameters that might fail or vary over time. The system check does not intend to replace the calibration of the components, but indicates situations where the system uncertainty is exceeded due to drift or failure.

8.2 System Setup

In the simplified setup for system evaluation, the DUT is replaced by a calibrated dipole and the power source is replaced by a continuous wave which comes from a signal generator at frequency 835 MHz and 1900 MHz. The calibrated dipole must be placed beneath the flat phantom section of the SAM twin phantom with the correct distance holder. The distance holder should touch the phantom surface with a light pressure at the reference marking and be oriented parallel to the long side of the phantom. The equipment setup is shown below:

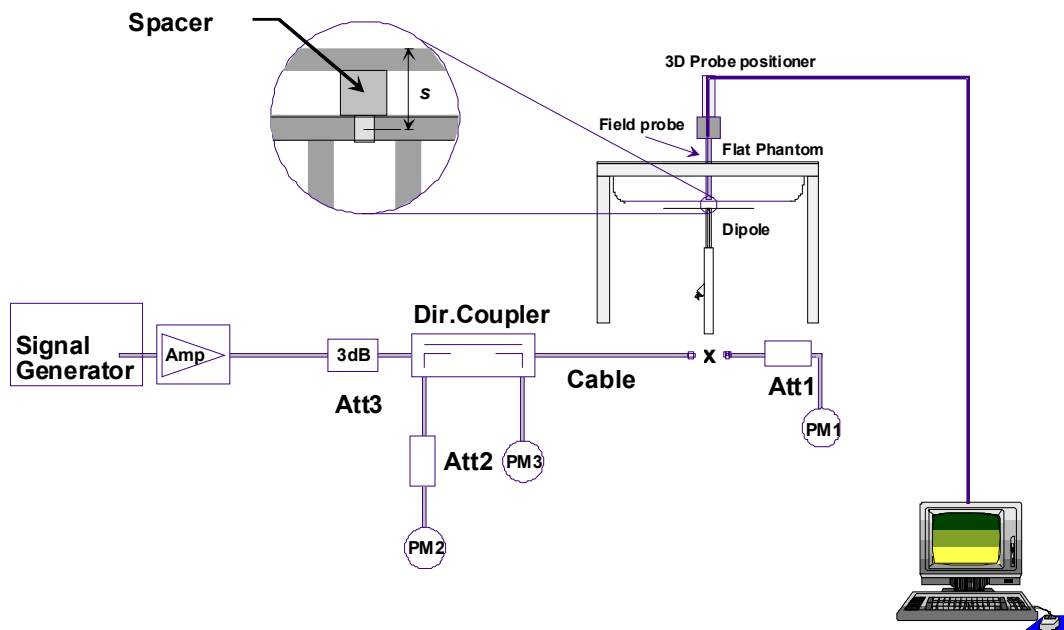


Fig. 8.1 System Setup for System Evaluation

1. Signal Generator
2. Amplifier
3. Directional Coupler
4. Power Meter
5. 835 MHz or 1900 MHz Dipole

The output power on dipole port must be calibrated to 20dBm (100mW) before dipole is connected.



Fig 8.2 Dipole Setup



8.3 Validation Results

Comparing to the original SAR value provided by SPEAG, the validation data should be within its specification of 10 %. Table 8.1 shows the target SAR and measured SAR after normalized to 1W input power. The table below indicates the system performance check can meet the variation criterion.

Frequency (MHz)	Position	SAR	Target (W/kg)	Measurement Data (W/kg)	Variation	Measurement Date
835	Body	SAR (1g)	9.52	8.69	-8.7 %	Apr. 09, 2009
		SAR (10g)	6.37	5.79	-9.1 %	
		SAR (1g)	9.52	9.86	3.6 %	Apr. 13, 2009
		SAR (10g)	6.37	6.54	2.7 %	
1900	Body	SAR (1g)	40.1	41.8	4.2 %	Apr. 10, 2009
		SAR (10g)	21.3	22.3	4.7 %	

Table 8.1 Target and Measurement SAR after Normalized



9. Description for DUT Testing Position

This DUT was tested in one position only, which was Bottom of the DUT with flat phantom 0cm gap.
Please refer to Appendix E for the test setup photos.



10. Measurement Procedures

The measurement procedures are as follows:

- Linking DUT with base station emulator CMU200
- Setting CMU200 to allow DUT to radiate maximum output power
- Measuring output power through RF cable and power meter
- Placing the DUT in the positions described in the last section
- Setting scan area, grid size and other setting on the DASY4 software
- Taking data for the lowest, middle and highest channels

According to the OET Bulletin 65 Supplement C standard, the recommended procedure for assessing the peak spatial-average SAR value consists of the following steps:

- Power reference measurement
- Area scan
- Zoom scan
- Power reference measurement

10.1 Spatial Peak SAR Evaluation

The procedure for spatial peak SAR evaluation has been implemented according to the OET Bulletin 65 Supplement C standard. It can be conducted for 1g and 10g, as well as for user-specific masses. The DASY4 software includes all numerical procedures necessary to evaluate the spatial peak SAR value.

The base for the evaluation is a "cube" measurement. The measured volume must include the 1g and 10g cubes with the highest averaged SAR values. For that purpose, the center of the measured volume is aligned to the interpolated peak SAR value of a previously performed area scan.



The entire evaluation of the spatial peak values is performed within the post-processing engine (SEMCAD). The system always gives the maximum values for the 1g and 10g cubes. The algorithm to find the cube with highest averaged SAR is divided into the following stages:

- extraction of the measured data (grid and values) from the Zoom Scan
- calculation of the SAR value at every measurement point based on all stored data (A/D values and measurement parameters)
- generation of a high-resolution mesh within the measured volume
- interpolation of all measured values from the measurement grid to the high-resolution grid
- extrapolation of the entire 3-D field distribution to the phantom surface over the distance from sensor to surface
- calculation of the averaged SAR within masses of 1g and 10g

10.2 Scan Procedures

First Area Scan is used to locate the approximate location(s) of the local peak SAR value(s). The measurement grid within an Area Scan is defined by the grid extent, grid step size and grid offset. Next, in order to determine the EM field distribution in a three-dimensional spatial extension, Zoom Scan is required. The Zoom Scan measures 5x5x7 points with step size 8, 8 and 5 mm. The Zoom Scan is performed around the highest E-field value to determine the averaged SAR-distribution over 1 g.

10.3 SAR Averaged Methods

In DASY4, the interpolation and extrapolation are both based on the modified Quadratic Shepard's method. The interpolation scheme combines a least-square fitted function method and a weighted average method which are the two basic types of computational interpolation and approximation.

Extrapolation routines are used to obtain SAR values between the lowest measurement points and the inner phantom surface. The extrapolation distance is determined by the surface detection distance and the probe sensor offset. The uncertainty increases with the extrapolation distance. To keep the uncertainty within 1% for the 1 g and 10 g cubes, the extrapolation distance should not be larger than 5 mm.



11. SAR Test Results

11.1 Conducted Power

Conducted Power (dBm)							
Mode	Band Channel	GSM 850			GSM 1900		
		128	189	251	512	661	810
GPRS 8		32.10	32.23	32.42	29.22	29.28	29.14
GPRS 10		32.02	32.15	32.36	29.12	29.16	29.06
EGPRS 8		26.53	26.57	26.67	25.74	25.79	25.64
EGPRS 10		26.53	26.55	26.66	25.69	25.76	25.60

Conducted Power (dBm)							
Mode	Band Channel	CDMA2000 Cellular			CDMA2000 PCS		
		1013	384	777	25	600	1175
1xRTT RC1+SO55		24.06	23.99	23.80	24.18	24.29	24.19
1xRTT RC3+SO55		24.59	24.54	24.08	24.20	24.41	24.65
1xRTT RC3+SO32		23.51	23.76	23.31	23.62	23.64	23.42
1xEV-DO RTAP 9.6K		24.56	24.40	24.30	24.14	24.46	24.15
1xEV-DO RTAP 38.4K		24.63	24.47	24.27	24.24	24.49	24.23
1xEV-DO RTAP 153.6K		24.59	24.36	24.22	24.39	24.53	24.33
1xEV-DO RETAP 128K		24.75	24.55	24.46	24.34	24.62	24.35
1xEV-DO RETAP 2048K		25.00	24.72	24.59	24.64	24.88	24.73
1xEV-DO RETAP 12288K		23.01	22.66	20.21	19.03	19.54	18.86

Conducted Power (dBm)							
Mode	Band Channel	WCDMA Band V			WCDMA Band II		
		4132	4182	4233	9262	9400	9538
12.2K		24.53	24.35	24.29	23.99	24.15	23.96
HSDPA	Subtest-1	24.37	24.25	24.14	23.94	24.09	23.95
	Subtest-2	23.85	23.68	23.56	23.38	23.13	23.06
	Subtest-3	23.79	23.72	23.61	23.45	23.55	23.61
	Subtest-4	23.37	23.38	23.21	22.96	22.77	22.69
HSUPA	Subtest-1	23.56	23.79	23.56	23.77	23.88	23.45
	Subtest-2	21.96	21.84	21.52	21.54	21.70	21.45
	Subtest-3	22.95	22.83	22.62	22.73	22.76	22.47
	Subtest-4	22.50	22.21	22.16	22.09	22.09	21.86
	Subtest-5	23.56	23.73	23.51	23.68	23.85	23.42



11.2 Test Records for Body SAR Test

Position	Band	Chan.	Freq. (MHz)	Modulation Type	Measured 1g SAR (W/kg)	Limit (W/kg)	Result
Bottom with 0cm Gap	GSM850 (GPRS10)	189	836.40	GMSK	0.109	1.6	Pass
Bottom with 0cm Gap	GSM850 (GPRS10)	128	824.20	GMSK	0.062	1.6	Pass
Bottom with 0cm Gap	GSM850 (GPRS10)	251	848.80	GMSK	0.151	1.6	Pass
Bottom with 0cm Gap	GSM1900 (GPRS10)	661	1880.00	GMSK	0.00693	1.6	Pass
Bottom with 0cm Gap	GSM1900 (GPRS10)	512	1850.20	GMSK	0.015	1.6	Pass
Bottom with 0cm Gap	GSM1900 (GPRS10)	810	1909.80	GMSK	0.00344	1.6	Pass
Bottom with 0cm Gap	CDMA2000 Cellular (1xRTT RC3+SO55)	384	836.52	QPSK	0.038	1.6	Pass
Bottom with 0cm Gap	CDMA2000 Cellular (1xEV-DO RETAP 2048K)	384	836.52	QPSK	0.046	1.6	Pass
Bottom with 0cm Gap	CDMA2000 Cellular (1xEV-DO RETAP 2048K)	1013	824.70	QPSK	0.040	1.6	Pass
Bottom with 0cm Gap	CDMA2000 Cellular (1xEV-DO RETAP 2048K)	777	848.31	QPSK	0.042	1.6	Pass
Bottom with 0cm Gap	CDMA2000 PCS (1xRTT RC3+SO55)	600	1880.00	QPSK	0.027	1.6	Pass
Bottom with 0cm Gap	CDMA2000 PCS (1xRTT RC3+SO55)	25	1851.25	QPSK	0.023	1.6	Pass
Bottom with 0cm Gap	CDMA2000 PCS (1xRTT RC3+SO55)	1175	1908.75	QPSK	0.025	1.6	Pass
Bottom with 0cm Gap	WCDMA Band V (RMC 12.2K)	4132	826.40	QPSK	0.058	1.6	Pass
Bottom with 0cm Gap	WCDMA Band V (RMC 12.2K)	4182	836.40	QPSK	0.072	1.6	Pass
Bottom with 0cm Gap	WCDMA Band V (RMC 12.2K)	4233	846.60	QPSK	0.073	1.6	Pass
Bottom with 0cm Gap	WCDMA Band II (RMC 12.2K)	9400	1880.00	QPSK	0.00764	1.6	Pass
Bottom with 0cm Gap	WCDMA Band II (RMC 12.2K)	9262	1852.40	QPSK	0.021	1.6	Pass
Bottom with 0cm Gap	WCDMA Band II (RMC 12.2K)	9538	1907.60	QPSK	0.00462	1.6	Pass

Test Engineer : A-Rod Chen, Robert Liu, Gordon Lin, and Tang Liu



12. References

- [1] FCC 47 CFR Part 2 "Frequency Allocations and Radio Treaty Matters; General Rules and Regulations"
- [2] Supplement C (Edition 01-01) to OET Bulletin 65 (Edition 97-01), "Additional Information for Evaluating Compliance of Mobile and Portable Devices with FCC Limits for Human Exposure to RF Emissions", June 2001
- [3] IEEE Std. C95.1-1999, "IEEE Standard for Safety Levels with Respect to Human Exposure to Radio Frequency Electromagnetic Fields, 3 kHz to 300 GHz", 1999
- [4] Robert J. Renka, "Multivariate Interpolation Of Large Sets Of Scattered Data", University of North Texas ACM Transactions on Mathematical Software, vol. 14, no. 2, June 1988, pp. 139-148
- [5] DASY4 System Handbook
- [6] KDB 447498 D01 v03r03, "Mobile and Portable Device RF Exposure Procedures", Jan. 2009
- [7] KDB 941225 D01 v02, "SAR Measurement Procedures for 3G Devices - CDMA 2000 / Ev-Do / WCDMA / HSDPA / HSPA", Oct. 2007
- [8] KDB 941225 D03 v01, "Recommended SAR Test Reduction Procedures for GSM/GPRS/EDGE", December 2008



Appendix A - System Performance Check Data

Test Laboratory: Sporton International Inc. SAR/HAC Testing Lab

Date: 2009/4/9

System Check_Body_835MHz_090409

DUT: Dipole 835 MHz

Communication System: CW; Frequency: 835 MHz; Duty Cycle: 1:1

Medium: MSL_850_090409 Medium parameters used: $f = 835$ MHz; $\sigma = 0.976$ mho/m; $\epsilon_r = 52.9$; $\rho = 1000$ kg/m³

Ambient Temperature : 22.3 °C; Liquid Temperature : 21.5 °C

DASY4 Configuration:

- Probe: ET3DV6 - SN1788; ConvF(6.34, 6.34, 6.34); Calibrated: 2008/9/23
- Sensor-Surface: 4mm (Mechanical Surface Detection)
- Electronics: DAE4 Sn778; Calibrated: 2008/9/22
- Phantom: ELI 4.0_Front; Type: QDOVA001BB; Serial: 1026
- Measurement SW: DASY4, V4.7 Build 80; Postprocessing SW: SEMCAD, V1.8 Build 186

Pin=100mW/Area Scan (61x61x1): Measurement grid: dx=15mm, dy=15mm

Maximum value of SAR (interpolated) = 0.952 mW/g

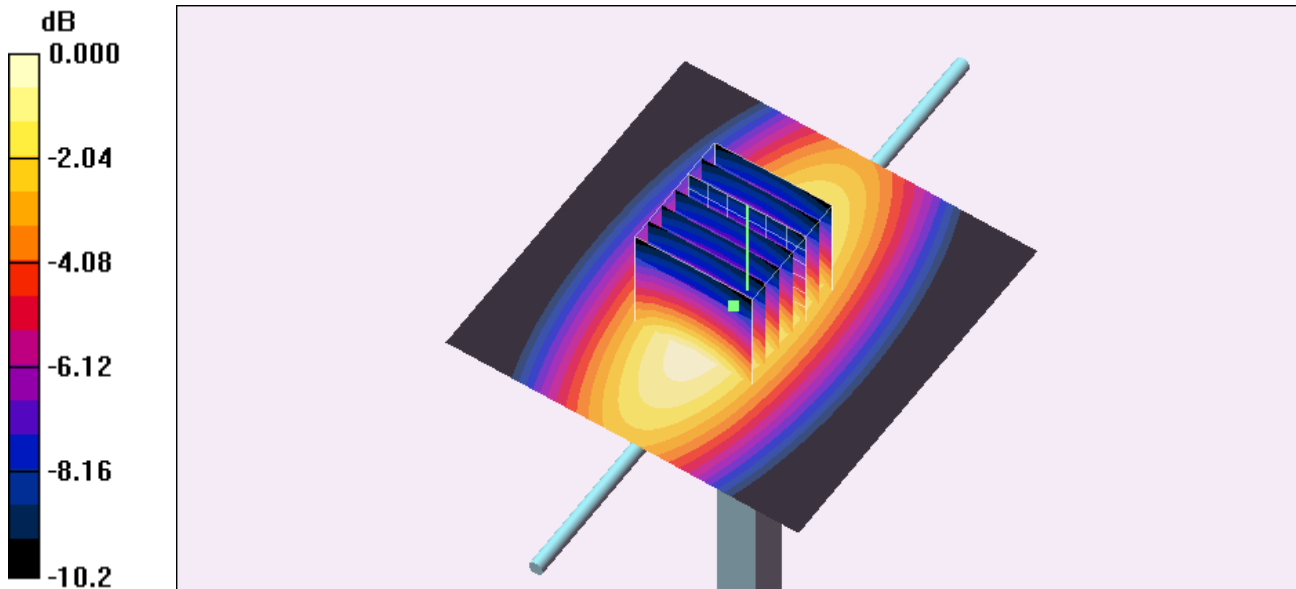
Pin=100mW/Zoom Scan (7x7x7)/Cube 0: Measurement grid: dx=5mm, dy=5mm, dz=5mm

Reference Value = 32.9 V/m; Power Drift = -0.006 dB

Peak SAR (extrapolated) = 1.18 W/kg

SAR(1 g) = 0.869 mW/g; SAR(10 g) = 0.579 mW/g

Maximum value of SAR (measured) = 0.943 mW/g



0 dB = 0.943mW/g



Test Laboratory: Sporton International Inc. SAR/HAC Testing Lab

Date: 2009/4/13

System Check_Body_835MHz_090413

DUT: Dipole 835 MHz

Communication System: CW; Frequency: 835 MHz; Duty Cycle: 1:1

Medium: MSL_850_090413 Medium parameters used: $f = 835 \text{ MHz}$; $\sigma = 0.976 \text{ mho/m}$; $\epsilon_r = 53$; $\rho = 1000 \text{ kg/m}^3$

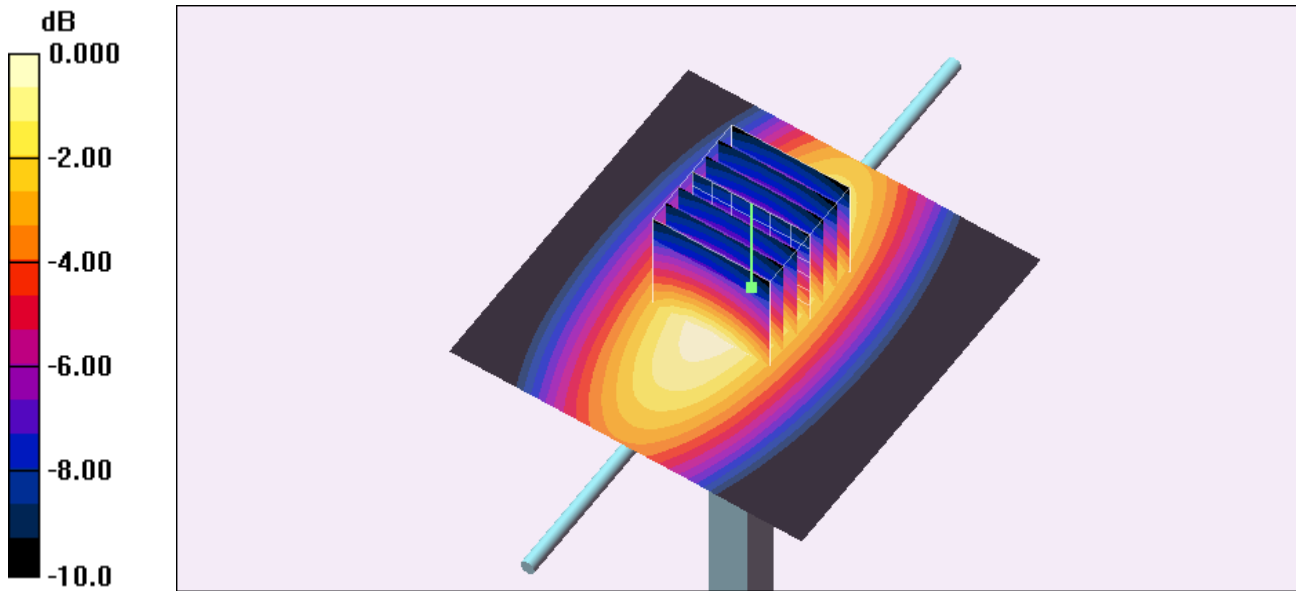
Ambient Temperature : 22.6 °C; Liquid Temperature : 21.9 °C

DASY4 Configuration:

- Probe: ET3DV6 - SN1787; ConvF(5.91, 5.91, 5.91); Calibrated: 2008/8/26
- Sensor-Surface: 4mm (Mechanical And Optical Surface Detection) Sensor-Surface: 4mm (Mechanical Surface Detection)
- Electronics: DAE4 Sn778; Calibrated: 2008/9/22
- Phantom: ELI 4.0_Front; Type: QDOVA001BB; Serial: 1026
- Measurement SW: DASY4, V4.7 Build 80; Postprocessing SW: SEMCAD, V1.8 Build 186

Pin=100mW/Area Scan (61x61x1): Measurement grid: $dx=15\text{mm}$, $dy=15\text{mm}$
Maximum value of SAR (interpolated) = 1.08 mW/g

Pin=100mW/Zoom Scan (7x7x7)/Cube 0: Measurement grid: $dx=5\text{mm}$, $dy=5\text{mm}$, $dz=5\text{mm}$
Reference Value = 34.5 V/m; Power Drift = -0.024 dB
Peak SAR (extrapolated) = 1.39 W/kg
SAR(1 g) = 0.986 mW/g; SAR(10 g) = 0.654 mW/g
Maximum value of SAR (measured) = 1.07 mW/g



0 dB = 1.07mW/g



Test Laboratory: Sporton International Inc. SAR/HAC Testing Lab

Date: 2009/4/10

System Check_Body_1900MHz_090410

DUT: Dipole 1900 MHz

Communication System: CW; Frequency: 1900 MHz; Duty Cycle: 1:1

Medium: MSL_1900_090410 Medium parameters used: $f = 1900$ MHz; $\sigma = 1.55$ mho/m; $\epsilon_r = 52.2$; $\rho = 1000$ kg/m³

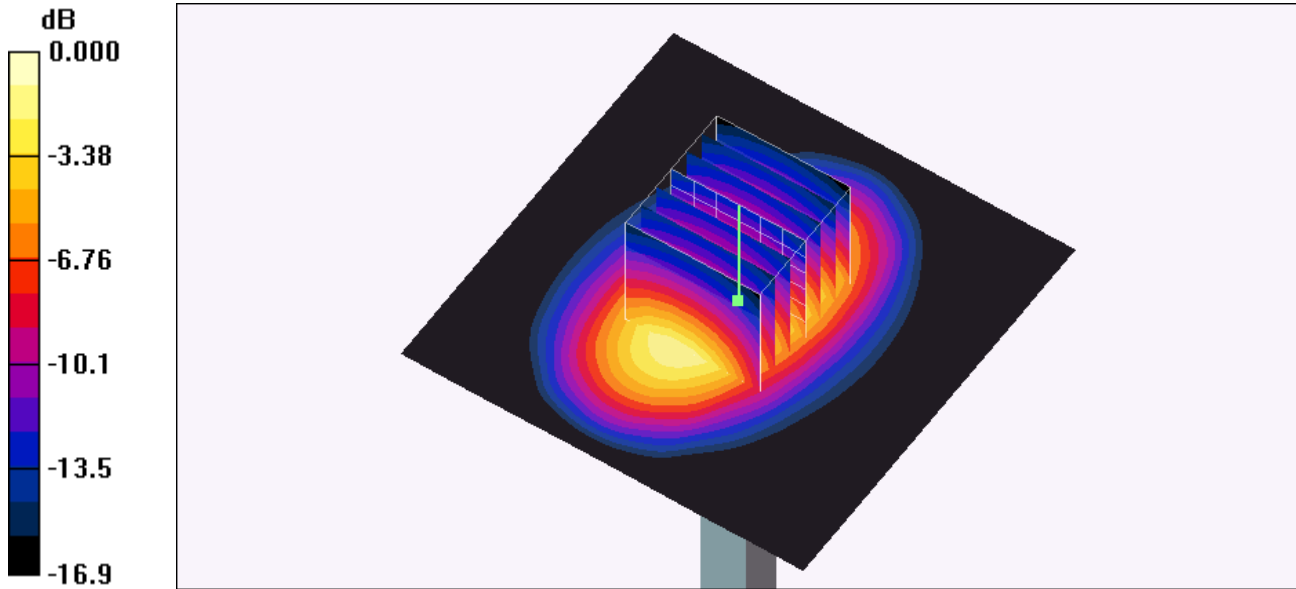
Ambient Temperature : 22.3 °C; Liquid Temperature : 21.3 °C

DASY4 Configuration:

- Probe: ET3DV6 - SN1788; ConvF(4.73, 4.73, 4.73); Calibrated: 2008/9/23
- Sensor-Surface: 4mm (Mechanical Surface Detection)
- Electronics: DAE4 Sn778; Calibrated: 2008/9/22
- Phantom: ELI 4.0_Front; Type: QDOVA001BB; Serial: 1026
- Measurement SW: DASY4, V4.7 Build 80; Postprocessing SW: SEMCAD, V1.8 Build 186

Pin=100mW/Area Scan (91x91x1): Measurement grid: dx=10mm, dy=10mm
Maximum value of SAR (interpolated) = 4.81 mW/g

Pin=100mW/Zoom Scan (7x7x7)/Cube 0: Measurement grid: dx=5mm, dy=5mm, dz=5mm
Reference Value = 58.0 V/m; Power Drift = -0.022 dB
Peak SAR (extrapolated) = 7.35 W/kg
SAR(1 g) = 4.18 mW/g; SAR(10 g) = 2.23 mW/g
Maximum value of SAR (measured) = 4.68 mW/g



0 dB = 4.68mW/g



Appendix B - SAR Measurement Data

Test Laboratory: Sporton International Inc. SAR/HAC Testing Lab

Date: 2009/4/9

#03 Body_GSM850 Ch251_Bottom with 0cm Gap_GPRS10

DUT: 931617

Communication System: GSM850; Frequency: 848.8 MHz; Duty Cycle: 1:4
Medium: MSL_850_090409 Medium parameters used: $f = 849$ MHz; $\sigma = 0.99$ mho/m; $\epsilon_r = 52.7$; $\rho = 1000$ kg/m³
Ambient Temperature : 22.3 °C; Liquid Temperature : 21.5 °C

DASY4 Configuration:

- Probe: ET3DV6 - SN1788; ConvF(6.34, 6.34, 6.34); Calibrated: 2008/9/23
- Sensor-Surface: 4mm (Mechanical Surface Detection)
- Electronics: DAE4 Sn778; Calibrated: 2008/9/22
- Phantom: ELI 4.0_Front; Type: QDOVA001BB; Serial: 1026
- Measurement SW: DASY4, V4.7 Build 80; Postprocessing SW: SEMCAD, V1.8 Build 186

Ch251/Area Scan (31x221x1): Measurement grid: dx=15mm, dy=15mm
Maximum value of SAR (interpolated) = 0.168 mW/g

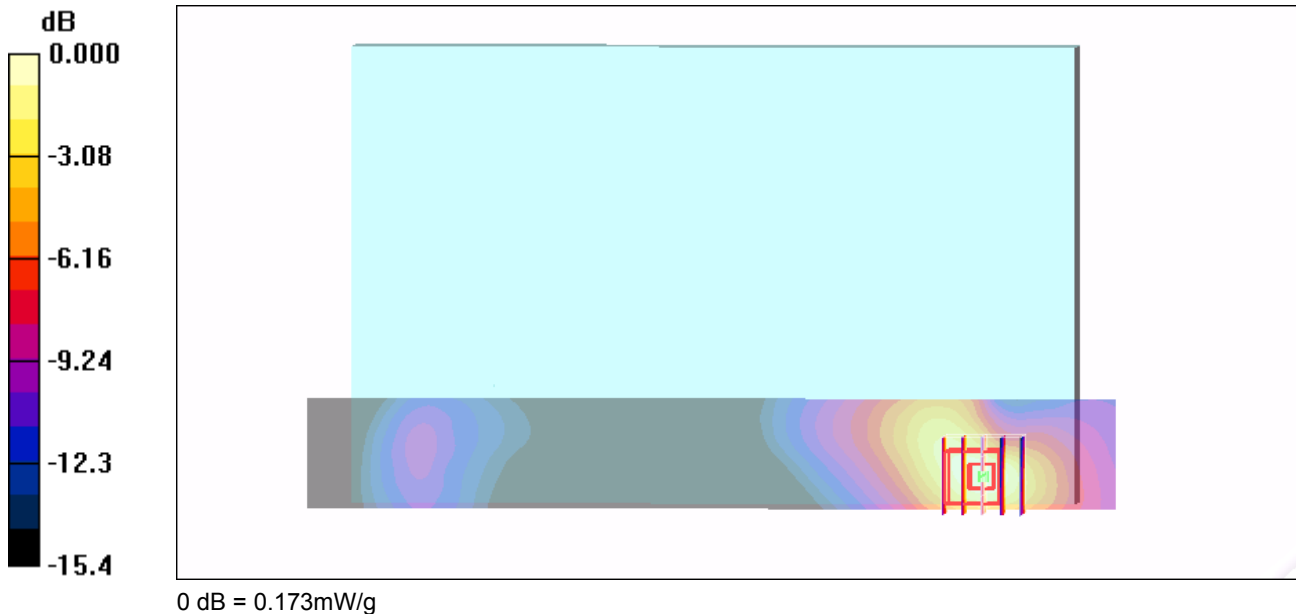
Ch251/Zoom Scan (5x5x7)/Cube 0: Measurement grid: dx=8mm, dy=8mm, dz=5mm

Reference Value = 1.50 V/m; Power Drift = -0.192 dB

Peak SAR (extrapolated) = 0.252 W/kg

SAR(1 g) = 0.151 mW/g; SAR(10 g) = 0.087 mW/g

Maximum value of SAR (measured) = 0.173 mW/g





Test Laboratory: Sporton International Inc. SAR/HAC Testing Lab

Date: 2009/4/10

#05 Body_GSM1900 Ch512_Bottom with 0cm Gap_GPRS10

DUT: 931617

Communication System: PCS 1900; Frequency: 1850.2 MHz; Duty Cycle: 1:4

Medium: MSL_1900_090410 Medium parameters used : $f = 1850.2$ MHz; $\sigma = 1.49$ mho/m; $\epsilon_r = 52.4$; $\rho = 1000$ kg/m³

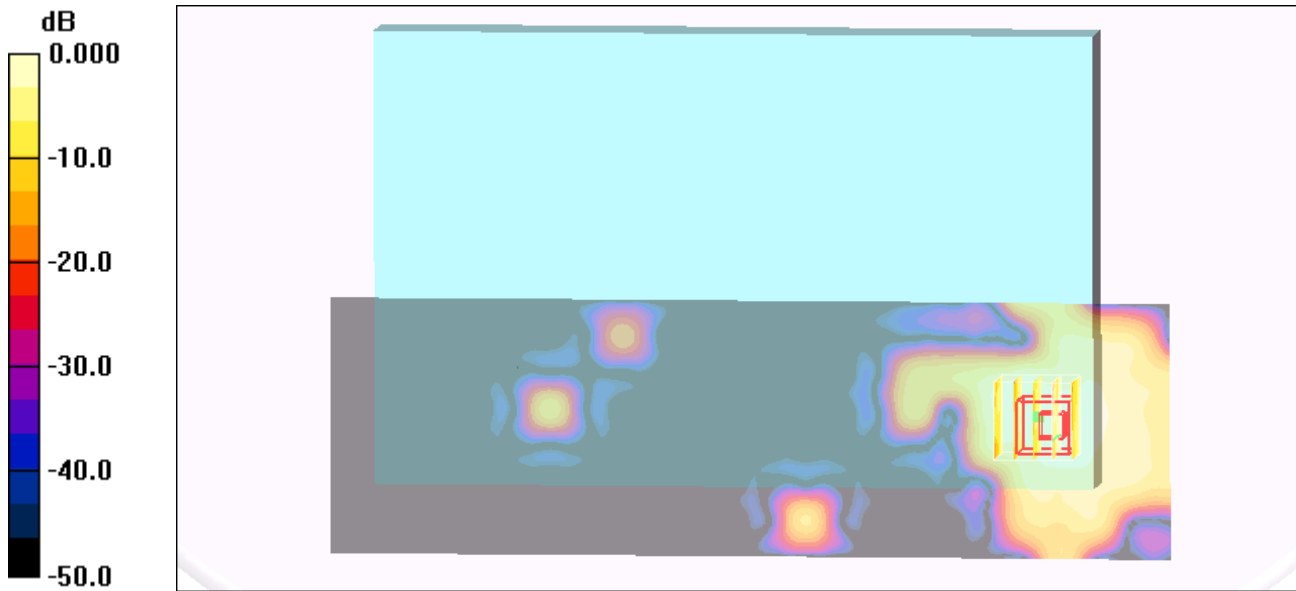
Ambient Temperature : 22.3 °C; Liquid Temperature : 21.3 °C

DASY4 Configuration:

- Probe: ET3DV6 - SN1788; ConvF(4.73, 4.73, 4.73); Calibrated: 2008/9/23
- Sensor-Surface: 4mm (Mechanical Surface Detection)
- Electronics: DAE4 Sn778; Calibrated: 2008/9/22
- Phantom: ELI 4.0_Front; Type: QDOVA001BB; Serial: 1026
- Measurement SW: DASY4, V4.7 Build 80; Postprocessing SW: SEMCAD, V1.8 Build 186

Ch512/Area Scan (71x231x1): Measurement grid: dx=15mm, dy=15mm
Maximum value of SAR (interpolated) = 0.016 mW/g

Ch512/Zoom Scan (5x5x7)/Cube 0: Measurement grid: dx=8mm, dy=8mm, dz=5mm
Reference Value = 0.368 V/m; Power Drift = 0.118 dB
Peak SAR (extrapolated) = 0.030 W/kg
SAR(1 g) = 0.015 mW/g; SAR(10 g) = 0.00853 mW/g
Maximum value of SAR (measured) = 0.016 mW/g



0 dB = 0.016mW/g



Test Laboratory: Sporton International Inc. SAR/HAC Testing Lab

Date: 2009/4/13

#17 Body_CDMA850 Ch384_Bottom with 0cm Gap_RETAP 2048K

DUT: 931617

Communication System: CDMA ; Frequency: 836.52 MHz;Duty Cycle: 1:1

Medium: MSL_850_090413 Medium parameters used: f = 837 MHz; $\sigma = 0.978$ mho/m; $\epsilon_r = 53$; $\rho = 1000$ kg/m³

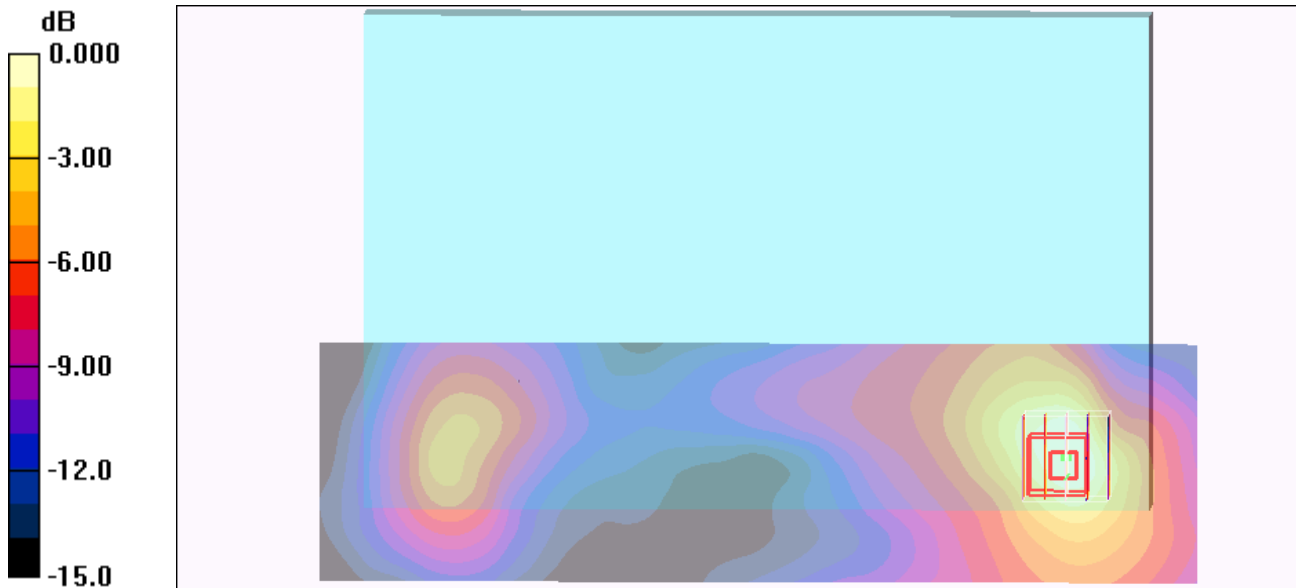
Ambient Temperature : 22.6 °C; Liquid Temperature : 21.9 °C

DASY4 Configuration:

- Probe: ET3DV6 - SN1787; ConvF(5.91, 5.91, 5.91); Calibrated: 2008/8/26
- Sensor-Surface: 4mm (Mechanical Surface Detection)
- Electronics: DAE4 Sn778; Calibrated: 2008/9/22
- Phantom: ELI 4.0_Front; Type: QDOVA001BB; Serial: 1026
- Measurement SW: DASY4, V4.7 Build 80; Postprocessing SW: SEMCAD, V1.8 Build 186

Ch384/Area Scan (61x221x1): Measurement grid: dx=15mm, dy=15mm
Maximum value of SAR (interpolated) = 0.054 mW/g

Ch384/Zoom Scan (5x5x7)/Cube 0: Measurement grid: dx=8mm, dy=8mm, dz=5mm
Reference Value = 0.812 V/m; Power Drift = 0.010 dB
Peak SAR (extrapolated) = 0.071 W/kg
SAR(1 g) = 0.046 mW/g; SAR(10 g) = 0.029 mW/g
Maximum value of SAR (measured) = 0.049 mW/g





Test Laboratory: Sporton International Inc. SAR/HAC Testing Lab

Date: 2009/4/10

#10 Body_CDMA1900 Ch600_Bottom with 0cm Gap_RC3_SO55

DUT: 931617

Communication System: CDMA ; Frequency: 1880 MHz;Duty Cycle: 1:1

Medium: MSL_1900_090410 Medium parameters used: $f = 1880$ MHz; $\sigma = 1.52$ mho/m; $\epsilon_r = 52.3$; $\rho = 1000$ kg/m³

Ambient Temperature : 22.6 °C; Liquid Temperature : 21.3 °C

DASY4 Configuration:

- Probe: ET3DV6 - SN1788; ConvF(4.73, 4.73, 4.73); Calibrated: 2008/9/23
- Sensor-Surface: 4mm (Mechanical Surface Detection)
- Electronics: DAE4 Sn778; Calibrated: 2008/9/22
- Phantom: ELI 4.0_Front; Type: QDOVA001BB; Serial: 1026
- Measurement SW: DASY4, V4.7 Build 80; Postprocessing SW: SEMCAD, V1.8 Build 186

Ch600/Area Scan (151x221x1): Measurement grid: dx=15mm, dy=15mm

Maximum value of SAR (interpolated) = 0.030 mW/g

Ch600/Zoom Scan (5x5x7)/Cube 0: Measurement grid: dx=8mm, dy=8mm, dz=5mm

Reference Value = 0.163 V/m; Power Drift = 0.130 dB

Peak SAR (extrapolated) = 0.044 W/kg

SAR(1 g) = 0.027 mW/g; SAR(10 g) = 0.016 mW/g

Maximum value of SAR (measured) = 0.031 mW/g

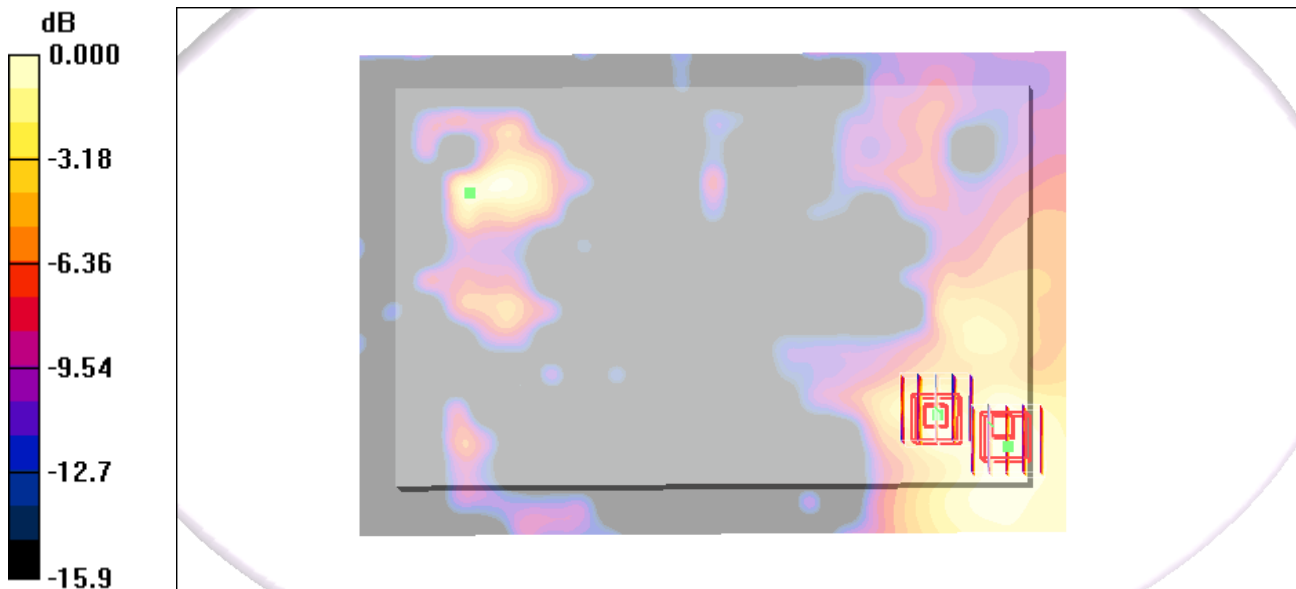
Ch600/Zoom Scan (5x5x7)/Cube 1: Measurement grid: dx=8mm, dy=8mm, dz=5mm

Reference Value = 0.163 V/m; Power Drift = 0.130 dB

Peak SAR (extrapolated) = 0.041 W/kg

SAR(1 g) = 0.026 mW/g; SAR(10 g) = 0.017 mW/g

Maximum value of SAR (measured) = 0.027 mW/g



0 dB = 0.027mW/g



Test Laboratory: Sporton International Inc. SAR/HAC Testing Lab

Date: 2009/4/13

#15 Body_WCDMA850 Ch4233_Bottom with 0cm Gap_RMC12.2K

DUT: 931617

Communication System: WCDMA; Frequency: 846.6 MHz; Duty Cycle: 1:1
Medium: MSL_850_090413 Medium parameters used: $f = 847$ MHz; $\sigma = 0.988$ mho/m; $\epsilon_r = 52.9$; $\rho = 1000$ kg/m³
Ambient Temperature : 22.9 °C; Liquid Temperature : 21.9 °C

DASY4 Configuration:

- Probe: ET3DV6 - SN1787; ConvF(5.91, 5.91, 5.91); Calibrated: 2008/8/26
- Sensor-Surface: 4mm (Mechanical Surface Detection)
- Electronics: DAE4 Sn778; Calibrated: 2008/9/22
- Phantom: ELI 4.0_Front; Type: QDOVA001BB; Serial: 1026
- Measurement SW: DASY4, V4.7 Build 80; Postprocessing SW: SEMCAD, V1.8 Build 186

Ch4233/Area Scan (61x221x1): Measurement grid: dx=15mm, dy=15mm
Maximum value of SAR (interpolated) = 0.083 mW/g

Ch4233/Zoom Scan (5x5x7)/Cube 0: Measurement grid: dx=8mm, dy=8mm, dz=5mm
Reference Value = 0.887 V/m; Power Drift = 0.027 dB
Peak SAR (extrapolated) = 0.116 W/kg
SAR(1 g) = 0.073 mW/g; SAR(10 g) = 0.044 mW/g
Maximum value of SAR (measured) = 0.082 mW/g



0 dB = 0.082mW/g



Test Laboratory: Sporton International Inc. SAR/HAC Testing Lab

Date: 2009/4/10

#08 Body_WCDMA1900 Ch9262_Bottom with 0cm Gap_RMC12.2K

DUT: 931617

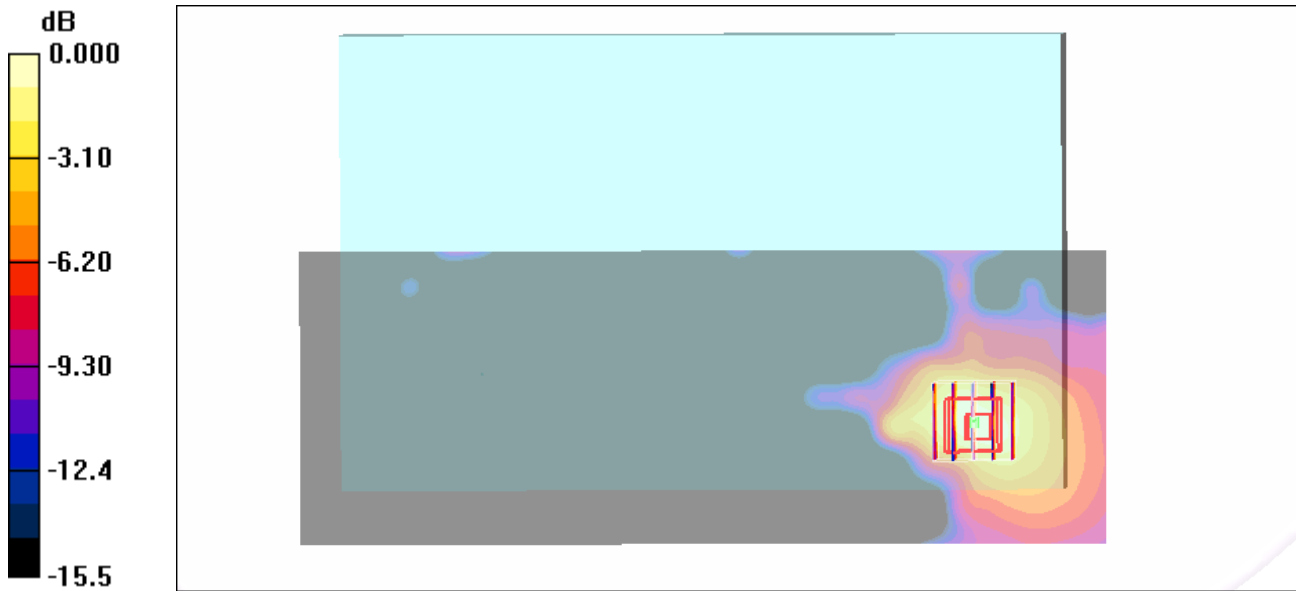
Communication System: WCDMA; Frequency: 1852.4 MHz; Duty Cycle: 1:1
Medium: MSL_1900_090410 Medium parameters used: $f = 1852.4$ MHz; $\sigma = 1.49$ mho/m; $\epsilon_r = 52.4$; $\rho = 1000$ kg/m³
Ambient Temperature : 22.6 °C; Liquid Temperature : 21.3 °C

DASY4 Configuration:

- Probe: ET3DV6 - SN1788; ConvF(4.73, 4.73, 4.73); Calibrated: 2008/9/23
- Sensor-Surface: 4mm (Mechanical Surface Detection)
- Electronics: DAE4 Sn778; Calibrated: 2008/9/22
- Phantom: ELI 4.0_Front; Type: QDOVA001BB; Serial: 1026
- Measurement SW: DASY4, V4.7 Build 80; Postprocessing SW: SEMCAD, V1.8 Build 186

Ch9262/Area Scan (81x221x1): Measurement grid: dx=15mm, dy=15mm
Maximum value of SAR (interpolated) = 0.022 mW/g

Ch9262/Zoom Scan (5x5x7)/Cube 0: Measurement grid: dx=8mm, dy=8mm, dz=5mm
Reference Value = 0.377 V/m; Power Drift = 0.130 dB
Peak SAR (extrapolated) = 0.034 W/kg
SAR(1 g) = 0.021 mW/g; SAR(10 g) = 0.012 mW/g
Maximum value of SAR (measured) = 0.023 mW/g





Test Laboratory: Sporton International Inc. SAR/HAC Testing Lab

Date: 2009/4/9

#03 Body_GSM850 Ch251_Bottom with 0cm Gap_GPRS10_2D

DUT: 931617

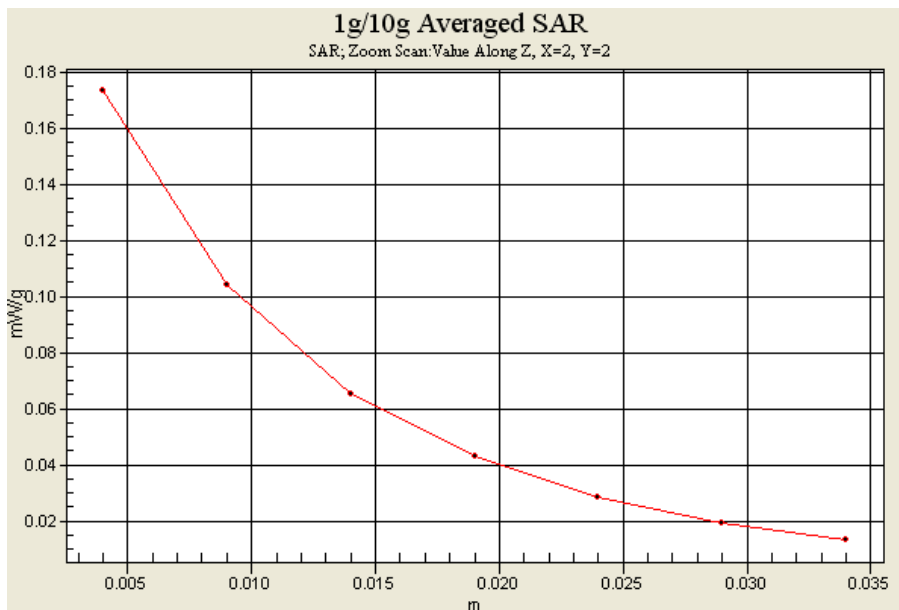
Communication System: GSM850; Frequency: 848.8 MHz; Duty Cycle: 1:4
Medium: MSL_850_090409 Medium parameters used: $f = 849$ MHz; $\sigma = 0.99$ mho/m; $\epsilon_r = 52.7$; $\rho = 1000$ kg/m³
Ambient Temperature : 22.3 °C; Liquid Temperature : 21.5 °C

DASY4 Configuration:

- Probe: ET3DV6 - SN1788; ConvF(6.34, 6.34, 6.34); Calibrated: 2008/9/23
- Sensor-Surface: 4mm (Mechanical Surface Detection)
- Electronics: DAE4 Sn778; Calibrated: 2008/9/22
- Phantom: ELI 4.0_Front; Type: QDOVA001BB; Serial: 1026
- Measurement SW: DASY4, V4.7 Build 80; Postprocessing SW: SEMCAD, V1.8 Build 186

Ch251/Area Scan (31x221x1): Measurement grid: dx=15mm, dy=15mm
Maximum value of SAR (interpolated) = 0.168 mW/g

Ch251/Zoom Scan (5x5x7)/Cube 0: Measurement grid: dx=8mm, dy=8mm, dz=5mm
Reference Value = 1.50 V/m; Power Drift = -0.192 dB
Peak SAR (extrapolated) = 0.252 W/kg
SAR(1 g) = 0.151 mW/g; SAR(10 g) = 0.087 mW/g
Maximum value of SAR (measured) = 0.173 mW/g





Test Laboratory: Sporton International Inc. SAR/HAC Testing Lab

Date: 2009/4/10

#05 Body_GSM1900 Ch512_Bottom with 0cm Gap_GPRS10_2D

DUT: 931617

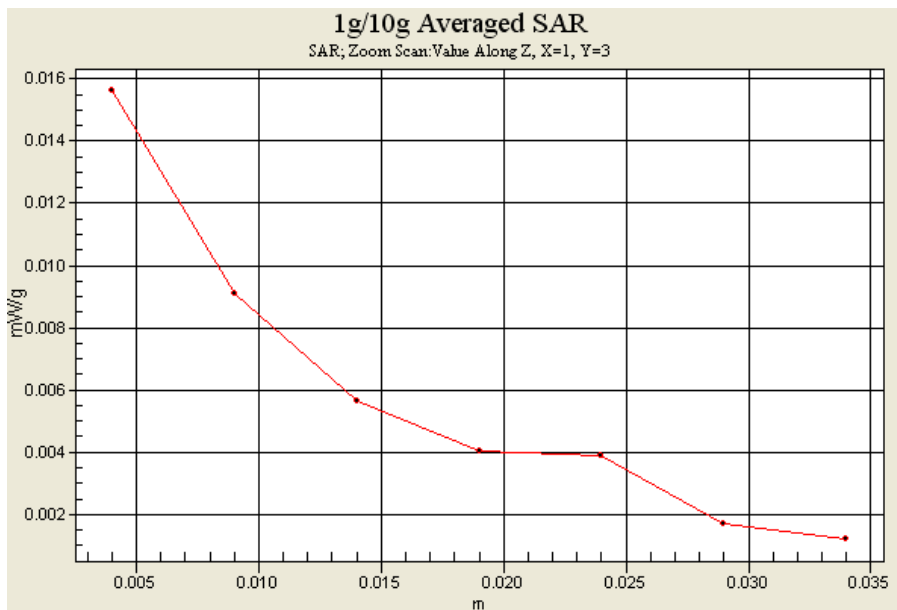
Communication System: PCS 1900; Frequency: 1850.2 MHz; Duty Cycle: 1:4
Medium: MSL_1900_090410 Medium parameters used : $f = 1850.2$ MHz; $\sigma = 1.49$ mho/m; $\epsilon_r = 52.4$; $\rho = 1000$ kg/m³
Ambient Temperature : 22.3 °C; Liquid Temperature : 21.3 °C

DASY4 Configuration:

- Probe: ET3DV6 - SN1788; ConvF(4.73, 4.73, 4.73); Calibrated: 2008/9/23
- Sensor-Surface: 4mm (Mechanical Surface Detection)
- Electronics: DAE4 Sn778; Calibrated: 2008/9/22
- Phantom: ELI 4.0_Front; Type: QDOVA001BB; Serial: 1026
- Measurement SW: DASY4, V4.7 Build 80; Postprocessing SW: SEMCAD, V1.8 Build 186

Ch512/Area Scan (71x231x1): Measurement grid: dx=15mm, dy=15mm
Maximum value of SAR (interpolated) = 0.016 mW/g

Ch512/Zoom Scan (5x5x7)/Cube 0: Measurement grid: dx=8mm, dy=8mm, dz=5mm
Reference Value = 0.368 V/m; Power Drift = 0.188 dB
Peak SAR (extrapolated) = 0.030 W/kg
SAR(1 g) = 0.015 mW/g; SAR(10 g) = 0.00853 mW/g
Maximum value of SAR (measured) = 0.016 mW/g





Test Laboratory: Sporton International Inc. SAR/HAC Testing Lab

Date: 2009/4/13

#17 Body_CDMA850 Ch384_Bottom with 0cm Gap_RETAP-2048K_2D

DUT: 931617

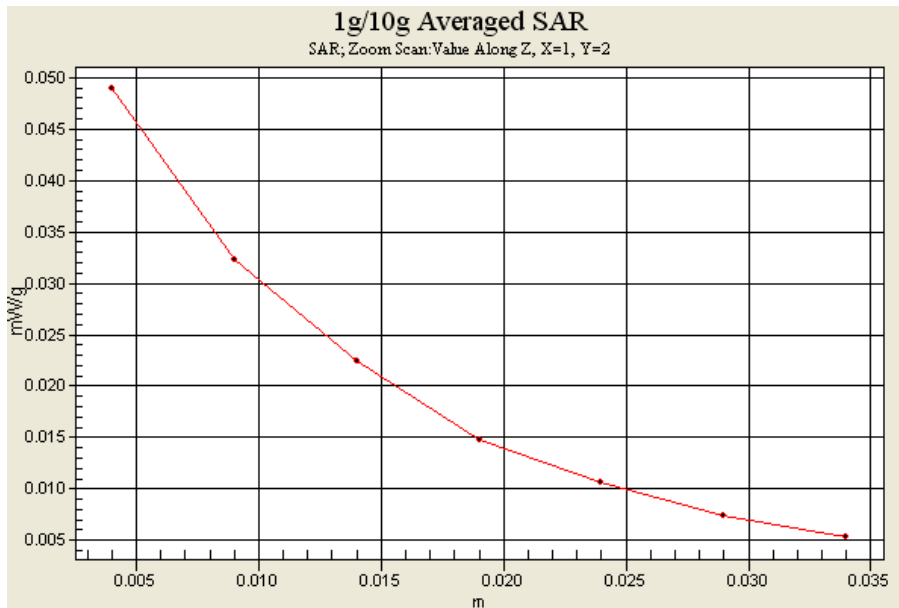
Communication System: CDMA ; Frequency: 836.52 MHz;Duty Cycle: 1:1
Medium: MSL_850_090413 Medium parameters used: f = 837 MHz; $\sigma = 0.978$ mho/m; $\epsilon_r = 53$; $\rho = 1000$ kg/m³
Ambient Temperature : 22.6 °C; Liquid Temperature : 21.9 °C

DASY4 Configuration:

- Probe: ET3DV6 - SN1787; ConvF(5.91, 5.91, 5.91); Calibrated: 2008/8/26
- Sensor-Surface: 4mm (Mechanical Surface Detection)
- Electronics: DAE4 Sn778; Calibrated: 2008/9/22
- Phantom: ELI 4.0_Front; Type: QDOVA001BB; Serial: 1026
- Measurement SW: DASY4, V4.7 Build 80; Postprocessing SW: SEMCAD, V1.8 Build 186

Ch384/Area Scan (61x221x1): Measurement grid: dx=15mm, dy=15mm
Maximum value of SAR (interpolated) = 0.054 mW/g

Ch384/Zoom Scan (5x5x7)/Cube 0: Measurement grid: dx=8mm, dy=8mm, dz=5mm
Reference Value = 0.812 V/m; Power Drift = 0.010 dB
Peak SAR (extrapolated) = 0.071 W/kg
SAR(1 g) = 0.046 mW/g; SAR(10 g) = 0.029 mW/g
Maximum value of SAR (measured) = 0.049 mW/g





Test Laboratory: Sporton International Inc. SAR/HAC Testing Lab

Date: 2009/4/10

#10 Body_CDMA1900 Ch600_Bottom with 0cm Gap_RC3_SO55_2D

DUT: 931617

Communication System: CDMA ; Frequency: 1880 MHz;Duty Cycle: 1:1

Medium: MSL_1900_090410 Medium parameters used: f = 1880 MHz; $\sigma = 1.52$ mho/m; $\epsilon_r = 52.3$; $\rho = 1000$ kg/m³

Ambient Temperature : 22.6 °C; Liquid Temperature : 21.3 °C

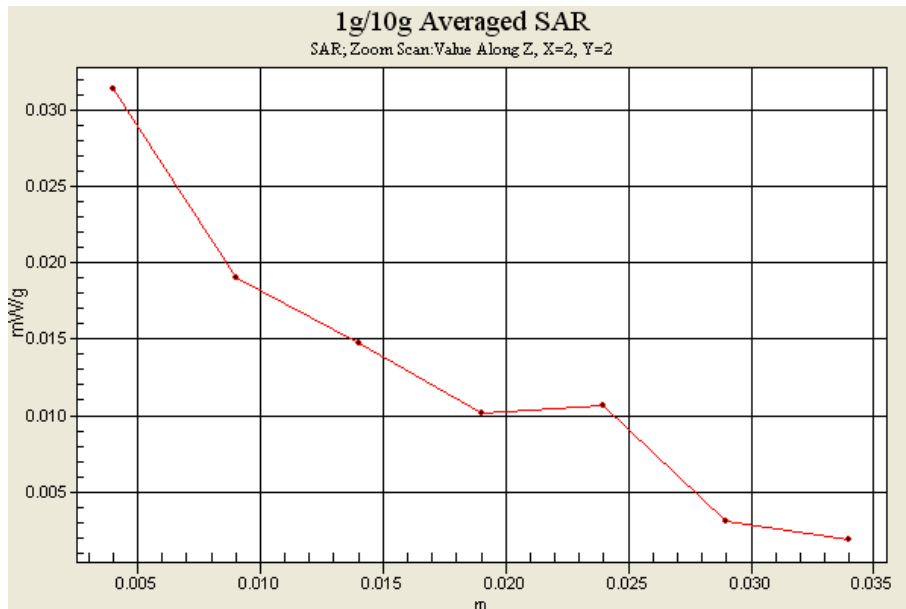
DASY4 Configuration:

- Probe: ET3DV6 - SN1788; ConvF(4.73, 4.73, 4.73); Calibrated: 2008/9/23
- Sensor-Surface: 4mm (Mechanical Surface Detection)
- Electronics: DAE4 Sn778; Calibrated: 2008/9/22
- Phantom: ELI 4.0_Front; Type: QDOVA001BB; Serial: 1026
- Measurement SW: DASY4, V4.7 Build 80; Postprocessing SW: SEMCAD, V1.8 Build 186

Ch600/Area Scan (151x221x1): Measurement grid: dx=15mm, dy=15mm
Maximum value of SAR (interpolated) = 0.030 mW/g

Ch600/Zoom Scan (5x5x7)/Cube 0: Measurement grid: dx=8mm, dy=8mm, dz=5mm
Reference Value = 0.163 V/m; Power Drift = 0.130 dB
Peak SAR (extrapolated) = 0.044 W/kg
SAR(1 g) = 0.027 mW/g; SAR(10 g) = 0.016 mW/g
Maximum value of SAR (measured) = 0.031 mW/g

Ch600/Zoom Scan (5x5x7)/Cube 1: Measurement grid: dx=8mm, dy=8mm, dz=5mm
Reference Value = 0.163 V/m; Power Drift = 0.130 dB
Peak SAR (extrapolated) = 0.041 W/kg
SAR(1 g) = 0.026 mW/g; SAR(10 g) = 0.017 mW/g
Maximum value of SAR (measured) = 0.027 mW/g





Test Laboratory: Sporton International Inc. SAR/HAC Testing Lab

Date: 2009/4/13

#15 Body_WCDMA850 Ch4233_Bottom with 0cm Gap_RMC12.2K_2D

DUT: 931617

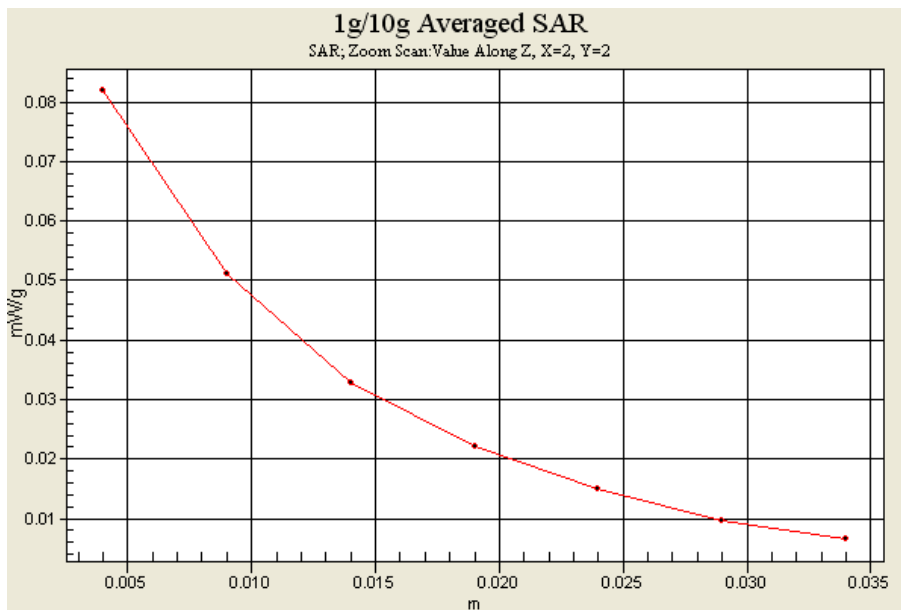
Communication System: WCDMA; Frequency: 846.6 MHz; Duty Cycle: 1:1
Medium: MSL_850_090413 Medium parameters used: $f = 847$ MHz; $\sigma = 0.988$ mho/m; $\epsilon_r = 52.9$; $\rho = 1000$ kg/m³
Ambient Temperature : 22.9 °C; Liquid Temperature : 21.9 °C

DASY4 Configuration:

- Probe: ET3DV6 - SN1787; ConvF(5.91, 5.91, 5.91); Calibrated: 2008/8/26
- Sensor-Surface: 4mm (Mechanical Surface Detection)
- Electronics: DAE4 Sn778; Calibrated: 2008/9/22
- Phantom: ELI 4.0_Front; Type: QDOVA001BB; Serial: 1026
- Measurement SW: DASY4, V4.7 Build 80; Postprocessing SW: SEMCAD, V1.8 Build 186

Ch4233/Area Scan (61x221x1): Measurement grid: dx=15mm, dy=15mm
Maximum value of SAR (interpolated) = 0.083 mW/g

Ch4233/Zoom Scan (5x5x7)/Cube 0: Measurement grid: dx=8mm, dy=8mm, dz=5mm
Reference Value = 0.887 V/m; Power Drift = 0.027 dB
Peak SAR (extrapolated) = 0.116 W/kg
SAR(1 g) = 0.073 mW/g; SAR(10 g) = 0.044 mW/g
Maximum value of SAR (measured) = 0.082 mW/g





Test Laboratory: Sporton International Inc. SAR/HAC Testing Lab

Date: 2009/4/10

#08 Body_WCDMA1900 Ch9262_Bottom with 0cm Gap_RMC12.2K_2D

DUT: 931617

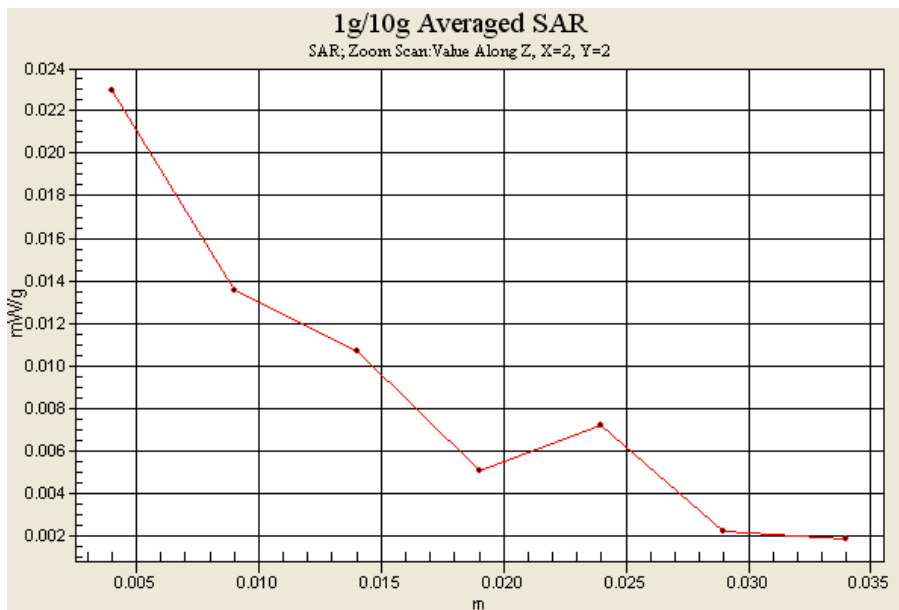
Communication System: WCDMA; Frequency: 1852.4 MHz; Duty Cycle: 1:1
Medium: MSL_1900_090410 Medium parameters used: $f = 1852.4$ MHz; $\sigma = 1.49$ mho/m; $\epsilon_r = 52.4$; $\rho = 1000$ kg/m³
Ambient Temperature : 22.6 °C; Liquid Temperature : 21.3 °C

DASY4 Configuration:

- Probe: ET3DV6 - SN1788; ConvF(4.73, 4.73, 4.73); Calibrated: 2008/9/23
- Sensor-Surface: 4mm (Mechanical Surface Detection)
- Electronics: DAE4 Sn778; Calibrated: 2008/9/22
- Phantom: ELI 4.0_Front; Type: QDOVA001BB; Serial: 1026
- Measurement SW: DASY4, V4.7 Build 80; Postprocessing SW: SEMCAD, V1.8 Build 186

Ch9262/Area Scan (81x221x1): Measurement grid: dx=15mm, dy=15mm
Maximum value of SAR (interpolated) = 0.022 mW/g

Ch9262/Zoom Scan (5x5x7)/Cube 0: Measurement grid: dx=8mm, dy=8mm, dz=5mm
Reference Value = 0.377 V/m; Power Drift = 0.130 dB
Peak SAR (extrapolated) = 0.034 W/kg
SAR(1 g) = 0.021 mW/g; SAR(10 g) = 0.012 mW/g
Maximum value of SAR (measured) = 0.023 mW/g





Appendix C – Calibration Data

Please refer to the calibration certificates of DASY as below.