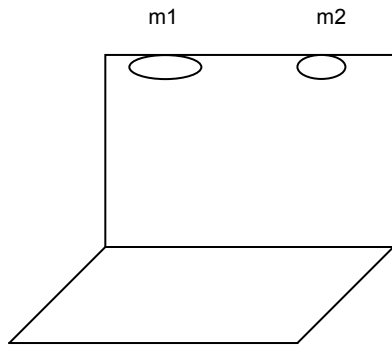


Appendix D - Simultaneous SAR Evaluation

1. The display size is 9.6 inches, so KDB447498 is implemented for the simultaneous SAR evaluation.
2. The antenna location is 18.8 cm from the human body, so 3) b) ii) 2) is implemented.
3. The evaluation results are as below:



device, mode, f	P, mW	n, cm	r, cm	R, cm	Single SAR, W/kg	Remarks
m1, GPRS850 class 10	457	5.47	18.8	8	0.014	$r_1 > 5 \text{ cm}$ $r_1 > R_1$
m2, 802.11b	47.42	0.91	18.8	5	0.00879	$r_2 > 5 \text{ cm}$ $r_2 > R_2$
all SAR _{1g}					0.02279	all SAR _{1g} < 1.6 W/kg

(x, y)	d _{xy} , cm	L _{xy} , cm	SPLSR _{xy}	Sim-Tx SAR	Remark
(1, 2)	9.056	0.8	0.028	N	all SAR _{1g} < 1.6 W/kg and SPLSR _{xy} < 0.3

From the evaluation above, $\Sigma_{\text{all}} \text{SAR}_{1g} < 1.6 \text{ W/kg}$ and $\text{SPLSR}_{xy} < 0.3$, we judge simultaneous SAR is not required.