



Variant FCC SAR Test Report

C2PC

APPLICANT : Acer Incorporated
EQUIPMENT : Tablet computer
BRAND NAME : Acer
MODEL NAME : A501
FCC ID : HLZTMDMA501A
STANDARD : FCC 47 CFR Part 2 (2.1093)
IEEE C95.1-1991
IEEE 1528-2003
FCC OET Bulletin 65 Supplement C (Edition 01-01)

This is a variant report which is only valid together with the original test report. The product was received on Aug. 25, 2011 and completely tested on Sep. 06, 2011. We, SPORTON INTERNATIONAL INC., would like to declare that the tested sample has been evaluated in accordance with the procedures and shown the compliance with the applicable technical standards.

The test results in this report apply exclusively to the tested model / sample. Without written approval of SPORTON INTERNATIONAL INC., the test report shall not be reproduced except in full.

Reviewed by:

Jones Tsai / Manager



SPORTON INTERNATIONAL INC.

No. 52, Hwa Ya 1st Rd., Hwa Ya Technology Park, Kwei-Shan Hsiang, Tao Yuan Hsien, Taiwan, R.O.C.

SPORTON INTERNATIONAL INC.

TEL : 886-3-327-3456

FAX : 886-3-328-4978

FCC ID : HLZTMDMA501A

Page Number : 1 of 40

Report Issued Date : Sep. 30, 2011

Report Version : Rev. 02



Table of Contents

Revision History.....	4
1. Statement of Compliance.....	5
2. Administration Data.....	6
Testing Laboratory.....	6
Applicant.....	6
Manufacturer.....	6
Application Details.....	6
3. General Information.....	7
3.1 Description of Device Under Test (DUT).....	7
3.2 Applied Standards.....	8
3.3 Device Category and SAR Limits.....	8
3.4 Test Conditions.....	8
3.4.1 Ambient Condition.....	8
3.4.2 Test Configuration.....	8
4. Specific Absorption Rate (SAR).....	9
4.1 Introduction.....	9
4.2 SAR Definition.....	9
5. SAR Measurement System.....	10
5.1 E-Field Probe.....	11
5.1.1 E-Field Probe Specification.....	11
5.1.2 E-Field Probe Calibration.....	12
5.2 Data Acquisition Electronics (DAE).....	12
5.3 Robot.....	12
5.4 Measurement Server.....	13
5.5 Phantom.....	14
5.6 Device Holder.....	15
5.7 Data Storage and Evaluation.....	17
5.7.1 Data Storage.....	17
5.7.2 Data Evaluation.....	17
5.8 Test Equipment List.....	19
6. Tissue Simulating Liquids.....	20
7. Uncertainty Assessment.....	22
8. SAR Measurement Evaluation.....	25
8.1 Purpose of System Performance check.....	25
8.2 System Setup.....	25
8.3 Validation Results.....	26
9. DUT Testing Position.....	27
10. Measurement Procedures.....	28
10.1 Spatial Peak SAR Evaluation.....	28
10.2 Area & Zoom Scan Procedures.....	29
10.3 Volume Scan Procedures.....	29
10.4 SAR Averaged Methods.....	29
10.5 Power Drift Monitoring.....	29
11. SAR Test Configurations.....	30
11.1 Exposure Positions Consideration.....	30
11.2 Simultaneous Transmitting Configurations.....	30
12. SAR Test Results.....	31
12.1 Conducted Power (Unit: dBm).....	31
12.2 Test Records for Body SAR Test.....	38
12.3 Simultaneous Transmission SAR Analysis and Measurements.....	39
13. References.....	40



- Appendix A. Plots of System Performance Check**
- Appendix B. Plots of SAR Measurement**
- Appendix C. DASYS Calibration Certificate**
- Appendix D. Test Setup Photos**
- Appendix E. FCC 3G SAR Measurement Procedures**
- Appendix F. Original Report**



Revision History

REPORT NO.	VERSION	DESCRIPTION	ISSUED DATE
FA132604-07	Rev. 01	<p>This is a variant report. The original report which can be referred to Sporton Report No. FA132604-04 as appendix F.</p> <p>Detail changes list as below :</p> <ol style="list-style-type: none">Add WIFI Main Antenna connector Brand: WhaYu P/N: C435-520147-AAdd 3G Main Antenna connector Brand: WhaYu P/N: C435-520145-AAdd 3G Aux Antenna connector Brand: WhaYu P/N: C435-520146-AAdd RF antenna connector on M/B Brand: I-PEX P/N: 20279-001E-01Add conductive tape on BOM Brand: DERCHING CATERONKS P/N: EL0H5001S00 and EL0H5001T00Add Mylar on BOM Brand: SIAUCHONKS JIAME P/N: EL0H5001U00Add Sponge on BOM Brand: SIAU CHON JIAMEI P/N: FH0JT000C00Add the adapter Y-Cap Original: 1000pF New: 680pF <p>For the changes, the test case was verified.</p>	Sep. 27, 2011
FA132604-07	Rev. 02	Update report of revising page 4	Sep. 30, 2011

1. Statement of Compliance

The maximum results of Specific Absorption Rate (SAR) found during testing for **Acer Incorporated Tablet computer Acer A501** are as follows (with expanded uncertainty 21.4 % for 300 MHz to 3 GHz).

<Test for Full Power>

Band	Position	SAR_{1g} (W/kg)
GSM850	Body (0.5 cm)	1
GSM1900	Body (0.5 cm)	0.983
WCDMA Band V	Body (0.6 cm)	1.44
WCDMA Band II	Body (1 cm)	1.25
802.11 b/g/n	Body (0 cm)	0.189
Bluetooth	Body (0 cm)	N/A

Note: 802.11a/n and BT SAR not tested due to that average power is below the FCC procedure thresholds, per KDB 447498.

< Test for Reduction Power >

Band	Position	SAR_{1g} (W/kg)
GSM850	Body (0 cm)	1.15
GSM1900	Body (0 cm)	1.12
WCDMA Band V	Body (0 cm)	0.875
WCDMA Band II	Body (0 cm)	1.22

Note: The test records with distance differ from 0 cm to the phantom are provided for verifying the SAR compliance when user is away from DUT and proximity sensor deactivated. These test results are for confirming operation of the power reduction scheme, and are not applicable for compliance demonstration for the FCC tablet PC SAR test procedures

This device is in compliance with Specific Absorption Rate (SAR) for general population/uncontrolled exposure limits (1.6 W/kg) specified in FCC 47 CFR part 2 (2.1093) and ANSI/IEEE C95.1-1991, and had been tested in accordance with the measurement methods and procedures specified in IEEE 1528-2003 and FCC OET Bulletin 65 Supplement C (Edition 01-01).



2. Administration Data

Testing Laboratory

Test Site	SPORTON INTERNATIONAL INC.
Test Site Location	No. 52, Hwa Ya 1 st Rd., Hwa Ya Technology Park, Kwei-Shan Hsiang, Tao Yuan Hsien, Taiwan, R.O.C. TEL: +886-3-327-3456 FAX: +886-3-328-4978

Applicant

Company Name	Acer Incorporated
Address	8F., No. 88, Sec. 1, Xintai 5th Rd., Xizhi Dist., New Taipei City 22181, Taiwan (R.O.C)

Manufacturer

Company Name	<ol style="list-style-type: none">1. Compal Electronics, Inc.2. Compal Electronics Technology (Kunshan) Co., Ltd.3. Compal Information (Kunshan) Co., Ltd.4. Compal Information Technology (Kunshan) Co., Ltd.5. Compalead Eletrônica Do Brasil Indústria E Comércio Ltda6. Compal (Vietnam) Co., Ltd.
Address	<ol style="list-style-type: none">1. No. 581, Ruiguang Rd., Neihu District, Taipei City 11492, Taiwan2. No. 25, Third Avenue, A Zone, Kunshan Comprehensive Free Trade Zone, Kunshan, Jiangsu, China3. No. 15, Third Avenue, A Zone, Kunshan Comprehensive Free Trade Zone, Kunshan, Jiangsu, China4. No. 58, First Avenue, A Zone, Kunshan Comprehensive Free Trade Zone, Kunshan, Jiangsu, China5. Rua Kanebo 175, Galpões C1, C2, C3, C4, C5 C6 E C12, Bairro Distrito Industrial Jundiá Business Park, Cep 13213-090, Jundiá - São Paulo, Brasil6. Ba Thien Industrial Zone, Ba Hien Commune, Binh Xuyen County, Vinh Phuc Province, Vietnam

Application Details

Date of Receipt of Application	Aug. 25, 2011
Date of Start during the Test	Aug. 30, 2011
Date of End during the Test	Sep. 06, 2011

3. General Information

3.1 Description of Device Under Test (DUT)

Product Feature & Specification	
DUT Type	Tablet computer
Brand Name	Acer
Model Name	A501
FCC ID	HLZTMDMA501A
Integrated Module	Brand Name :Ericsson Model Name :F5521gw
Tx Frequency	GSM850 : 824 MHz ~ 849 MHz GSM1900 : 1850 MHz ~ 1910 MHz WCDMA Band V : 824 MHz ~ 849 MHz WCDMA Band II : 1850 MHz ~ 1910 MHz 802.11b/g/n : 2400 MHz ~ 2483.5 MHz Bluetooth : 2400 MHz ~ 2483.5 MHz
Rx Frequency	GSM850 : 869 MHz ~ 894 MHz GSM1900 : 1930 MHz ~ 1990 MHz WCDMA Band V : 869 MHz ~ 894 MHz WCDMA Band II : 1930 MHz ~ 1990 MHz 802.11b/g/n : 2400 MHz ~ 2483.5 MHz Bluetooth : 2400 MHz ~ 2483.5 MHz
Maximum Average Output Power to Antenna	GSM850 : 32.11 dBm GSM1900 : 29.35 dBm WCDMA Band V : 23.18 dBm WCDMA Band II : 22.88 dBm 802.11b : 14.21 dBm 802.11g : 12.92 dBm 802.11n (2.4GHz) : 10.94 dBm (BW 20MHz) Bluetooth : 1.80 dBm
Antenna Type	Fixed Internal Antenna
Type of Modulation	GSM : GMSK WCDMA : QPSK (uplink) HSDPA : QPSK (uplink) HSUPA : QPSK (uplink) 802.11b : DSSS (BPSK / QPSK / CCK) 802.11g/n : OFDM (BPSK / QPSK / 16QAM / 64QAM) Bluetooth (1Mbps) : GFSK Bluetooth EDR (2Mbps) : $\pi/4$ -DQPSK Bluetooth EDR (3Mbps) : 8-DPSK
DUT Stage	Identical Prototype



3.2 Applied Standards

The Specific Absorption Rate (SAR) testing specification, method and procedure for this device is in accordance with the following standards:

- FCC 47 CFR Part 2 (2.1093)
- IEEE C95.1-1991
- IEEE 1528-2003
- FCC OET Bulletin 65 Supplement C (Edition 01-01)
- FCC KDB 447498 D01 v04
- FCC KDB 616217 D03 v01
- FCC KDB 941225 D01 v02
- FCC KDB 941225 D03 v01
- FCC KDB 248227 D01 v01r02

3.3 Device Category and SAR Limits

This device belongs to portable device category because its radiating structure is allowed to be used within 20 centimeters of the body of the user. Limit for General Population/Uncontrolled exposure should be applied for this device, it is 1.6 W/kg as averaged over any 1 gram of tissue.

3.4 Test Conditions

3.4.1 Ambient Condition

Ambient Temperature	20 to 24 °C
Humidity	< 60 %

3.4.2 Test Configuration

For WLAN SAR testing, WLAN engineering testing software installed on the DUT can provide continuous transmitting RF signal. This RF signal utilized in SAR measurement has almost 100% duty cycle and its crest factor is 1.

The details of sensors analysis can be found in a separate exhibit, PBA Technical Description.

For WWAN SAR testing, the DUT is in GPRS or WCDMA link mode. In general, the crest factor is 8.3 for GPRS/EDGE multi-slot class 8, 4 for GPRS/EDGE multi-slot class 10, 2 for GPRS/EDGE multi-slot class 12, and 1 for WCDMA/HSDPA/HSUPA.

Bluetooth standalone SAR is not required because the Bluetooth power (1.80 dBm) is less than 60/f.

4. Specific Absorption Rate (SAR)

4.1 Introduction

SAR is related to the rate at which energy is absorbed per unit mass in an object exposed to a radio field. The SAR distribution in a biological body is complicated and is usually carried out by experimental techniques or numerical modeling. The standard recommends limits for two tiers of groups, occupational/controlled and general population/uncontrolled, based on a person's awareness and ability to exercise control over his or her exposure. In general, occupational/controlled exposure limits are higher than the limits for general population/uncontrolled.

4.2 SAR Definition

The SAR definition is the time derivative (rate) of the incremental energy (dW) absorbed by (dissipated in) an incremental mass (dm) contained in a volume element (dv) of a given density (ρ). The equation description is as below:

$$\text{SAR} = \frac{d}{dt} \left(\frac{dW}{dm} \right) = \frac{d}{dt} \left(\frac{dW}{\rho dv} \right)$$

SAR is expressed in units of Watts per kilogram (W/kg)

SAR measurement can be either related to the temperature elevation in tissue by

$$\text{SAR} = C \left(\frac{\delta T}{\delta t} \right)$$

Where: C is the specific heat capacity, δT is the temperature rise and δt is the exposure duration, or related to the electrical field in the tissue by

$$\text{SAR} = \frac{\sigma |E|^2}{\rho}$$

Where: σ is the conductivity of the tissue, ρ is the mass density of the tissue and E is the RMS electrical field strength.

However for evaluating SAR of low power transmitter, electrical field measurement is typically applied.

5. SAR Measurement System



Fig 5.1 SPEAG DASY5 System Configurations

The DASY5 system for performance compliance tests is illustrated above graphically. This system consists of the following items:

- A standard high precision 6-axis robot with controller, a teach pendant and software
- A data acquisition electronic (DAE) attached to the robot arm extension
- A dosimetric probe equipped with an optical surface detector system
- The electro-optical converter (ECO) performs the conversion between optical and electrical signals
- A measurement server performs the time critical tasks such as signal filtering, control of the robot operation and fast movement interrupts.
- A probe alignment unit which improves the accuracy of the probe positioning
- A computer operating Windows XP
- DASY5 software
- Remote control with teach pendant and additional circuitry for robot safety such as warning lamps, etc.
- The SAM twin phantom
- A device holder
- Tissue simulating liquid
- Dipole for evaluating the proper functioning of the system

Some of the components are described in details in the following sub-sections.

5.1 E-Field Probe

The SAR measurement is conducted with the dosimetric probe (manufactured by SPEAG). The probe is specially designed and calibrated for use in liquid with high permittivity. The dosimetric probe has special calibration in liquid at different frequency. This probe has a built in optical surface detection system to prevent from collision with phantom.

5.1.1 E-Field Probe Specification

<ET3DV6 Probe >

Construction	Symmetrical design with triangular core Built-in optical fiber for surface detection system. Built-in shielding against static charges. PEEK enclosure material (resistant to organic solvents, e.g., DGBE)
Frequency	10 MHz to 3 GHz; Linearity: ± 0.2 dB
Directivity	± 0.2 dB in HSL (rotation around probe axis) ± 0.4 dB in HSL (rotation normal to probe axis)
Dynamic Range	5 μ W/g to 100 mW/g; Linearity: ± 0.2 dB
Dimensions	Overall length: 330 mm (Tip: 16 mm) Tip diameter: 6.8 mm (Body: 12 mm) Distance from probe tip to dipole centers: 2.7 mm

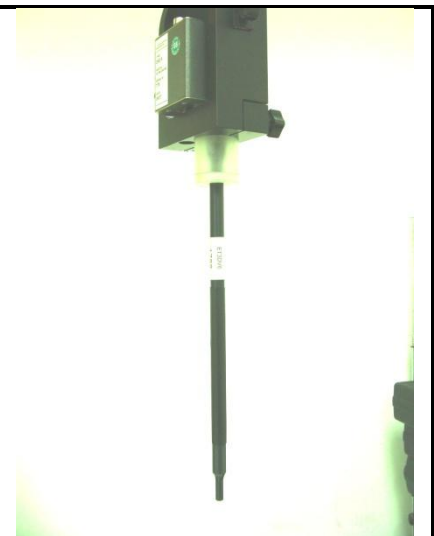


Fig 5.2 Photo of ET3DV6

<EX3DV4 Probe>

Construction	Symmetrical design with triangular core Built-in shielding against static charges PEEK enclosure material (resistant to organic solvents, e.g., DGBE)
Frequency	10 MHz to 6 GHz; Linearity: ± 0.2 dB
Directivity	± 0.3 dB in HSL (rotation around probe axis) ± 0.5 dB in tissue material (rotation normal to probe axis)
Dynamic Range	10 μ W/g to 100 mW/g; Linearity: ± 0.2 dB (noise: typically < 1 μ W/g)
Dimensions	Overall length: 330 mm (Tip: 20 mm) Tip diameter: 2.5 mm (Body: 12 mm) Typical distance from probe tip to dipole centers: 1 mm



Fig 5.3 Photo of EX3DV4

5.1.2 E-Field Probe Calibration

Each probe needs to be calibrated according to a dosimetric assessment procedure with accuracy better than $\pm 10\%$. The spherical isotropy shall be evaluated and within ± 0.25 dB. The sensitivity parameters (NormX, NormY, and NormZ), the diode compression parameter (DCP) and the conversion factor (ConvF) of the probe are tested. The calibration data can be referred to appendix C of this report.

5.2 Data Acquisition Electronics (DAE)

The data acquisition electronics (DAE) consists of a highly sensitive electrometer-grade preamplifier with auto-zeroing, a channel and gain-switching multiplexer, a fast 16 bit AD-converter and a command decoder and control logic unit. Transmission to the measurement server is accomplished through an optical downlink for data and status information as well as an optical uplink for commands and the clock.

The input impedance of the DAE is 200 MOhm; the inputs are symmetrical and floating. Common mode rejection is above 80 dB.



Fig 5.4 Photo of DAE

5.3 Robot

The SPEAG DASY system uses the high precision robots (DASY4: RX90BL; DASY5: TX90XL) type from Stäubli SA (France). For the 6-axis controller system, the robot controller version (DASY4: CS7MB; DASY5: CS8c) from Stäubli is used. The Stäubli robot series have many features that are important for our application:

- High precision (repeatability ± 0.035 mm)
- High reliability (industrial design)
- Jerk-free straight movements
- Low ELF interference (the closed metallic construction shields against motor control fields)



Fig 5.1 Photo of DASY4



Fig 5.2 Photo of DASY5

5.4 Measurement Server

The measurement server is based on a PC/104 CPU board with CPU (DASY4: 166 MHz, Intel Pentium; DASY5: 400 MHz, Intel Celeron), chipdisk (DASY4: 32 MB; DASY5: 128 MB), RAM (DASY4: 64 MB, DASY5: 128 MB). The necessary circuits for communication with the DAE electronic box, as well as the 16 bit AD converter system for optical detection and digital I/O interface are contained on the DASY I/O board, which is directly connected to the PC/104 bus of the CPU board.

The measurement server performs all the real-time data evaluation for field measurements and surface detection, controls robot movements and handles safety operations.



Fig 5.1 Photo of Server for DASY4



Fig 5.2 Photo of Server for DASY5

5.5 Phantom

<SAM Twin Phantom>

Shell Thickness	2 ± 0.2 mm; Center ear point: 6 ± 0.2 mm
Filling Volume	Approx. 25 liters
Dimensions	Length: 1000 mm; Width: 500 mm; Height: adjustable feet
Measurement Areas	Left Hand, Right Hand, Flat Phantom

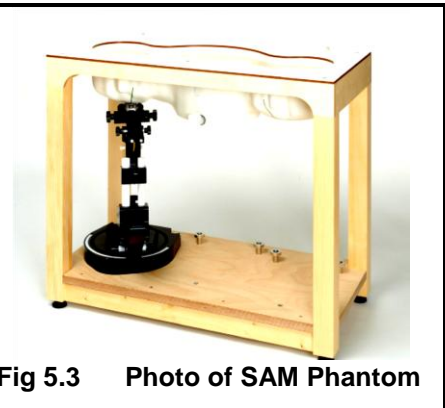


Fig 5.3 Photo of SAM Phantom

The bottom plate contains three pair of bolts for locking the device holder. The device holder positions are adjusted to the standard measurement positions in the three sections. A white cover is provided to tap the phantom during off-periods to prevent water evaporation and changes in the liquid parameters. On the phantom top, three reference markers are provided to identify the phantom position with respect to the robot.

<ELI4 Phantom>

Shell Thickness	2 ± 0.2 mm (sagging: <1%)
Filling Volume	Approx. 30 liters
Dimensions	Major ellipse axis: 600 mm Minor axis: 400 mm

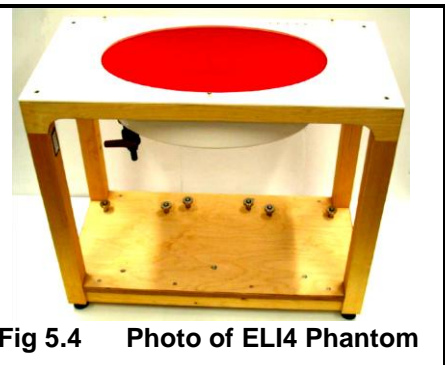


Fig 5.4 Photo of ELI4 Phantom

The ELI4 phantom is intended for compliance testing of handheld and body-mounted wireless devices in the frequency range of 30 MHz to 6 GHz. ELI4 is fully compatible with standard and all known tissue simulating liquids.

5.6 Device Holder

<Device Holder for SAM Twin Phantom>

The SAR in the phantom is approximately inversely proportional to the square of the distance between the source and the liquid surface. For a source at 5 mm distance, a positioning uncertainty of ± 0.5 mm would produce a SAR uncertainty of ± 20 %. Accurate device positioning is therefore crucial for accurate and repeatable measurements. The positions in which the devices must be measured are defined by the standards.

The DASY device holder is designed to cope with different positions given in the standard. It has two scales for the device rotation (with respect to the body axis) and the device inclination (with respect to the line between the ear reference points). The rotation center for both scales is the ear reference point (EPR). Thus the device needs no repositioning when changing the angles.

The DASY device holder is constructed of low-loss POM material having the following dielectric parameters: relative permittivity $\epsilon = 3$ and loss tangent $\delta = 0.02$. The amount of dielectric material has been reduced in the closest vicinity of the device, since measurements have suggested that the influence of the clamp on the test results could thus be lowered.



Fig 5.5 Device Holder

<Laptop Extension Kit>

The extension is lightweight and made of POM, acrylic glass and foam. It fits easily on the upper part of the mounting device in place of the phone positioned. The extension is fully compatible with the SAM Twin and ELI phantoms.

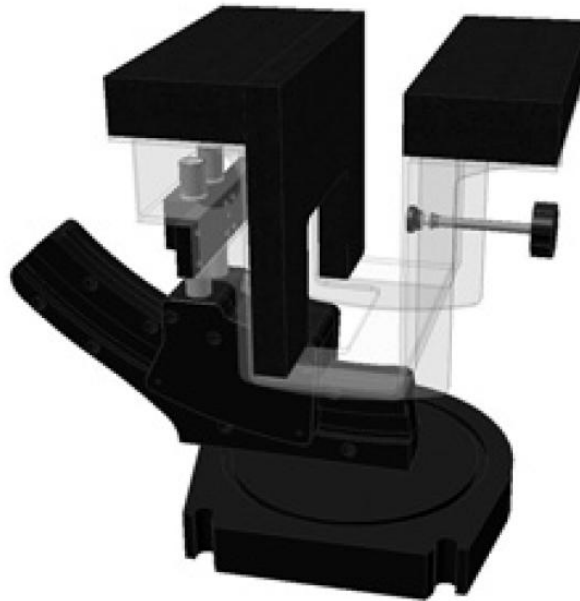


Fig 5.6 Laptop Extension Kit

5.7 Data Storage and Evaluation

5.7.1 Data Storage

The DASY software stores the assessed data from the data acquisition electronics as raw data (in microvolt readings from the probe sensors), together with all the necessary software parameters for the data evaluation (probe calibration data, liquid parameters and device frequency and modulation data) in measurement files. The post-processing software evaluates the desired unit and format for output each time the data is visualized or exported. This allows verification of the complete software setup even after the measurement and allows correction of erroneous parameter settings. For example, if a measurement has been performed with an incorrect crest factor parameter in the device setup, the parameter can be corrected afterwards and the data can be reevaluated.

The measured data can be visualized or exported in different units or formats, depending on the selected probe type (e.g., [V/m], [A/m], [mW/g]). Some of these units are not available in certain situations or give meaningless results, e.g., a SAR-output in a non-lose media, will always be zero. Raw data can also be exported to perform the evaluation with other software packages.

5.7.2 Data Evaluation

The DASY post-processing software (SEMCAD) automatically executes the following procedures to calculate the field units from the microvolt readings at the probe connector. The parameters used in the evaluation are stored in the configuration modules of the software :

Probe parameters :	- Sensitivity	Norm _i , a ₁₀ , a ₁₁ , a ₁₂
	- Conversion factor	ConvF _i
	- Diode compression point	dcp _i
Device parameters :	- Frequency	f
	- Crest factor	cf
Media parameters :	- Conductivity	σ
	- Density	ρ

These parameters must be set correctly in the software. They can be found in the component documents or they can be imported into the software from the configuration files issued for the DASY components. In the direct measuring mode of the multi-meter option, the parameters of the actual system setup are used. In the scan visualization and export modes, the parameters stored in the corresponding document files are used.

The first step of the evaluation is a linearization of the filtered input signal to account for the compression characteristics of the detector diode. The compensation depends on the input signal, the diode type and the DC-transmission factor from the diode to the evaluation electronics. If the exciting field is pulsed, the crest factor of the signal must be known to correctly compensate for peak power.

The formula for each channel can be given as :

$$V_i = U_i + U_i^2 \cdot \frac{cf}{dcp_i}$$

with V_i = compensated signal of channel i, (i = x, y, z)
 U_i = input signal of channel i, (i = x, y, z)
 cf = crest factor of exciting field (DASY parameter)
 dcp_i = diode compression point (DASY parameter)

From the compensated input signals, the primary field data for each channel can be evaluated :

$$\text{E-field Probes : } E_i = \sqrt{\frac{V_i}{\text{Norm}_i \cdot \text{ConvF}}}$$

$$\text{H-field Probes : } H_i = \sqrt{V_i} \cdot \frac{a_{i0} + a_{i1}f + a_{i2}f^2}{f}$$

with V_i = compensated signal of channel i, (i = x, y, z)
 Norm_i = sensor sensitivity of channel i, (i = x, y, z), $\mu\text{V}/(\text{V/m})^2$ for E-field Probes
 ConvF = sensitivity enhancement in solution
 a_{ij} = sensor sensitivity factors for H-field probes
 f = carrier frequency [GHz]
 E_i = electric field strength of channel i in V/m
 H_i = magnetic field strength of channel i in A/m

The RSS value of the field components gives the total field strength (Hermitian magnitude) :

$$E_{\text{tot}} = \sqrt{E_x^2 + E_y^2 + E_z^2}$$

The primary field data are used to calculate the derived field units.

$$\text{SAR} = E_{\text{tot}}^2 \cdot \frac{\sigma}{\rho \cdot 1000}$$

with SAR = local specific absorption rate in mW/g
 E_{tot} = total field strength in V/m
 σ = conductivity in [mho/m] or [Siemens/m]
 ρ = equivalent tissue density in g/cm^3

Note that the density is set to 1, to account for actual head tissue density rather than the density of the tissue simulating liquid.



5.8 Test Equipment List

Manufacturer	Name of Equipment	Type/Model	Serial Number	Calibration	
				Last Cal.	Due Date
SPEAG	Dosimetric E-Field Probe	ET3DV6	1787	May. 20, 2011	May. 19, 2012
SPEAG	Dosimetric E-Filed Probe	EX3DV4	3792	Jun. 20, 2011	Jun. 19, 2012
SPEAG	835MHz System Validation Kit	D835V2	499	Mar. 22, 2010	Mar. 21, 2012
SPEAG	1900MHz System Validation Kit	D1900V2	5d041	Mar. 23, 2010	Mar. 22, 2012
SPEAG	2450MHz System Validation Kit	D2450V2	736	Jul. 25, 2011	Jul. 24, 2012
SPEAG	Data Acquisition Electronics	DAE4	778	Oct. 22, 2010	Oct. 21, 2011
SPEAG	Data Acquisition Electronics	DAE3	495	Apr. 28, 2011	Apr. 27, 2012
SPEAG	Device Holder	N/A	N/A	NCR	NCR
SPEAG	ELI4 Phantom	QD 0VA 001 BB	1026	NCR	NCR
SPEAG	ELI4 Phantom	QD 0VA 001 BA	1029	NCR	NCR
Agilent	ENA Series Network Analyzer	E5071C	MY46100746	Jun. 10, 2011	Jun. 09, 2012
Agilent	Wireless Communication Test Set	E5515C	MY48360820	Jan. 12, 2010	Jan. 11, 2012
Agilent	Wireless Communication Test Set	E5515C	GB46311322	Mar. 23, 2011	Mar. 22, 2013
Agilent	Wireless Communication Test Set	E5515C	MY50264370	Apr. 19, 2011	Apr. 18, 2013
Agilent	RF Vector Network Analyzer	E8358A	US40260131	May. 17, 2011	May. 16, 2012
R&S	Universal Radio Communication Tester	CMU200	114256	Feb. 08, 2010	Feb. 07, 2012
Agilent	Dielectric Probe Kit	85070D	US01440205	NCR	NCR
Agilent	Dual Directional Coupler	778D	50422	NCR	NCR
AR	Power Amplifier	5S1G4M2	0328767	NCR	NCR
R&S	Spectrum Analyzer	FSP7	101131	Jul. 29, 2011	Jul. 28, 2012
R&S	Spectrum Analyzer	FSP30	101329	May. 03, 2011	May. 02, 2012

Table 5.1 Test Equipment List

Note: The calibration certificate of DASY can be referred to appendix C of this report.

6. Tissue Simulating Liquids

For the measurement of the field distribution inside the SAM phantom with DASY, the phantom must be filled with around 25 liters of homogeneous body tissue simulating liquid. For head SAR testing, the liquid height from the ear reference point (ERP) of the phantom to the liquid top surface is larger than 15 cm, which is shown in Fig. 6.1. For body SAR testing, the liquid height from the center of the flat phantom to the liquid top surface is larger than 15 cm, which is shown in Fig. 6.2.

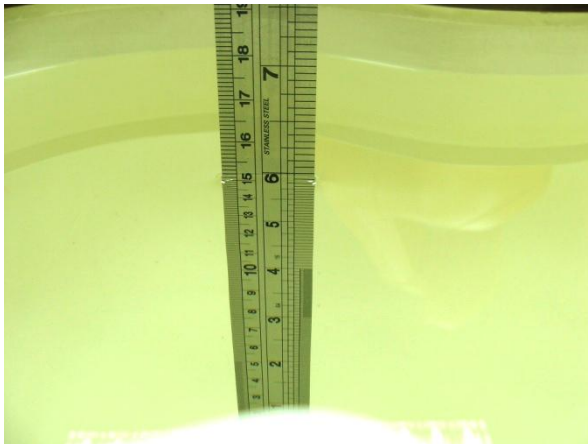


Fig 6.1 Photo of Liquid Height for Head SAR



Fig 6.2 Photo of Liquid Height for Body SAR

The following table gives the recipes for tissue simulating liquid.

Frequency (MHz)	Water (%)	Sugar (%)	Cellulose (%)	Salt (%)	Preventol (%)	DGBE (%)	Conductivity (σ)	Permittivity (ϵ_r)
For Head								
835	40.3	57.9	0.2	1.4	0.2	0	0.90	41.5
900	40.3	57.9	0.2	1.4	0.2	0	0.97	41.5
1800, 1900, 2000	55.2	0	0	0.3	0	44.5	1.40	40.0
2450	55.0	0	0	0	0	45.0	1.80	39.2
For Body								
835	50.8	48.2	0	0.9	0.1	0	0.97	55.2
900	50.8	48.2	0	0.9	0.1	0	1.05	55.0
1800, 1900, 2000	70.2	0	0	0.4	0	29.4	1.52	53.3
2450	68.6	0	0	0	0	31.4	1.95	52.7

Table 6.1 Recipes of Tissue Simulating Liquid

The following table gives the targets for tissue simulating liquid.

Frequency (MHz)	Liquid Type	Conductivity (σ)	$\pm 5\%$ Range	Permittivity (ϵ_r)	$\pm 5\%$ Range
835	Head	0.90	0.86 ~ 0.95	41.5	39.4 ~ 43.6
900	Head	0.97	0.92 ~ 1.02	41.5	39.4 ~ 43.6
1800, 1900, 2000	Head	1.40	1.33 ~ 1.47	40.0	38.0 ~ 42.0
2450	Head	1.80	1.71 ~ 1.89	39.2	37.2 ~ 41.2
835	Body	0.97	0.92 ~ 1.02	55.2	52.4 ~ 58.0
900	Body	1.05	1.00 ~ 1.10	55.0	52.3 ~ 57.8
1800, 1900, 2000	Body	1.52	1.44 ~ 1.60	53.3	50.6 ~ 56.0
2450	Body	1.95	1.85 ~ 2.05	52.7	50.1 ~ 55.3

Table 6.2 Targets of Tissue Simulating Liquid

The dielectric parameters of the liquids were verified prior to the SAR evaluation using an Agilent 85070D Dielectric Probe Kit and an Agilent Network Analyzer.

The following table shows the measuring results for simulating liquid.

Frequency (MHz)	Liquid Type	Temperature ($^{\circ}\text{C}$)	Conductivity (σ)	Permittivity (ϵ_r)	Measurement Date
835	Body	21.2	0.999	55.9	Aug. 30, 2011
835	Body	21.3	0.994	56	Sep. 06, 2011
1900	Body	21.5	1.54	53.5	Aug. 30, 2011
1900	Body	21.5	1.52	54.8	Sep. 06, 2011
2450	Body	21.8	1.97	52.7	Aug. 30, 2011

Table 6.3 Measuring Results for Simulating Liquid

7. Uncertainty Assessment

The component of uncertainty may generally be categorized according to the methods used to evaluate them. The evaluation of uncertainty by the statistical analysis of a series of observations is termed a Type A evaluation of uncertainty. The evaluation of uncertainty by means other than the statistical analysis of a series of observation is termed a Type B evaluation of uncertainty. Each component of uncertainty, however evaluated, is represented by an estimated standard deviation, termed standard uncertainty, which is determined by the positive square root of the estimated variance.

A Type A evaluation of standard uncertainty may be based on any valid statistical method for treating data. This includes calculating the standard deviation of the mean of a series of independent observations; using the method of least squares to fit a curve to the data in order to estimate the parameter of the curve and their standard deviations; or carrying out an analysis of variance in order to identify and quantify random effects in certain kinds of measurement.

A type B evaluation of standard uncertainty is typically based on scientific judgment using all of the relevant information available. These may include previous measurement data, experience and knowledge of the behavior and properties of relevant materials and instruments, manufacture’s specification, data provided in calibration reports and uncertainties assigned to reference data taken from handbooks. Broadly speaking, the uncertainty is either obtained from an outdoor source or obtained from an assumed distribution, such as the normal distribution, rectangular or triangular distributions indicated in Table 7.1

Uncertainty Distributions	Normal	Rectangular	Triangular	U-Shape
Multi-plying Factor ^(a)	1/k ^(b)	1/√3	1/√6	1/√2

- (a) standard uncertainty is determined as the product of the multiplying factor and the estimated range of variations in the measured quantity
- (b) κ is the coverage factor

Table 7.1 Standard Uncertainty for Assumed Distribution

The combined standard uncertainty of the measurement result represents the estimated standard deviation of the result. It is obtained by combining the individual standard uncertainties of both Type A and Type B evaluation using the usual “root-sum-squares” (RSS) methods of combining standard deviations by taking the positive square root of the estimated variances.

Expanded uncertainty is a measure of uncertainty that defines an interval about the measurement result within which the measured value is confidently believed to lie. It is obtained by multiplying the combined standard uncertainty by a coverage factor. Typically, the coverage factor ranges from 2 to 3. Using a coverage factor allows the true value of a measured quantity to be specified with a defined probability within the specified uncertainty range. For purpose of this document, a coverage factor two is used, which corresponds to confidence interval of about 95 %. The DASY uncertainty Budget is showed in Table 7.2.



Error Description	Uncertainty Value (±%)	Probability Distribution	Divisor	Ci (1g)	Standard Uncertainty (1g)
Measurement System					
Probe Calibration	5.5	Normal	1	1	± 5.5 %
Axial Isotropy	4.7	Rectangular	√3	0.7	± 1.9 %
Hemispherical Isotropy	9.6	Rectangular	√3	0.7	± 3.9 %
Boundary Effects	1.0	Rectangular	√3	1	± 0.6 %
Linearity	4.7	Rectangular	√3	1	± 2.7 %
System Detection Limits	1.0	Rectangular	√3	1	± 0.6 %
Readout Electronics	0.3	Normal	1	1	± 0.3 %
Response Time	0.8	Rectangular	√3	1	± 0.5 %
Integration Time	2.6	Rectangular	√3	1	± 1.5 %
RF Ambient Noise	3.0	Rectangular	√3	1	± 1.7 %
RF Ambient Reflections	3.0	Rectangular	√3	1	± 1.7 %
Probe Positioner	0.4	Rectangular	√3	1	± 0.2 %
Probe Positioning	2.9	Rectangular	√3	1	± 1.7 %
Max. SAR Eval.	1.0	Rectangular	√3	1	± 0.6 %
Test Sample Related					
Device Positioning	2.9	Normal	1	1	± 2.9 %
Device Holder	3.6	Normal	1	1	± 3.6 %
Power Drift	5.0	Rectangular	√3	1	± 2.9 %
Phantom and Setup					
Phantom Uncertainty	4.0	Rectangular	√3	1	± 2.3 %
Liquid Conductivity (Target)	5.0	Rectangular	√3	0.64	± 1.8 %
Liquid Conductivity (Meas.)	2.5	Normal	1	0.64	± 1.6 %
Liquid Permittivity (Target)	5.0	Rectangular	√3	0.6	± 1.7 %
Liquid Permittivity (Meas.)	2.5	Normal	1	0.6	± 1.5 %
Combined Standard Uncertainty					± 10.7 %
Coverage Factor for 95 %					K = 2
Expanded Uncertainty					± 21.4 %

Table 7.2 Uncertainty Budget of DASY for frequency range 300 MHz to 3 GHz



Error Description	Uncertainty Value (±%)	Probability Distribution	Divisor	Ci (10g)	Standard Uncertainty (10g)
Measurement System					
Probe Calibration	6.55	Normal	1	1	± 6.55 %
Axial Isotropy	4.7	Rectangular	√3	0.7	± 1.9 %
Hemispherical Isotropy	9.6	Rectangular	√3	0.7	± 3.9 %
Boundary Effects	2.0	Rectangular	√3	1	± 1.2 %
Linearity	4.7	Rectangular	√3	1	± 2.7 %
System Detection Limits	1.0	Rectangular	√3	1	± 0.6 %
Readout Electronics	0.3	Normal	1	1	± 0.3 %
Response Time	0.8	Rectangular	√3	1	± 0.5 %
Integration Time	2.6	Rectangular	√3	1	± 1.5 %
RF Ambient Noise	3.0	Rectangular	√3	1	± 1.7 %
RF Ambient Reflections	3.0	Rectangular	√3	1	± 1.7 %
Probe Positioner	0.8	Rectangular	√3	1	± 0.5 %
Probe Positioning	9.9	Rectangular	√3	1	± 5.7 %
Max. SAR Eval.	4.0	Rectangular	√3	1	± 2.3 %
Test Sample Related					
Device Positioning	2.9	Normal	1	1	± 2.9 %
Device Holder	3.6	Normal	1	1	± 3.6 %
Power Drift	5.0	Rectangular	√3	1	± 2.9 %
Phantom and Setup					
Phantom Uncertainty	4.0	Rectangular	√3	1	± 2.3 %
Liquid Conductivity (Target)	5.0	Rectangular	√3	0.43	± 1.2 %
Liquid Conductivity (Meas.)	2.5	Normal	1	0.43	± 1.1 %
Liquid Permittivity (Target)	5.0	Rectangular	√3	0.49	± 1.4 %
Liquid Permittivity (Meas.)	2.5	Normal	1	0.49	± 1.2 %
Combined Standard Uncertainty					± 12.6 %
Coverage Factor for 95 %					K = 2
Expanded Uncertainty					± 25.2 %

Table 7.3 Uncertainty Budget of DASY for frequency range 3 GHz to 6 GHz

8. SAR Measurement Evaluation

Each DASY system is equipped with one or more system validation kits. These units, together with the predefined measurement procedures within the DASY software, enable the user to conduct the system performance check and system validation. System validation kit includes a dipole, tripod holder to fix it underneath the flat phantom and a corresponding distance holder.

8.1 Purpose of System Performance check

The system performance check verifies that the system operates within its specifications. System and operator errors can be detected and corrected. It is recommended that the system performance check be performed prior to any usage of the system in order to guarantee reproducible results. The system performance check uses normal SAR measurements in a simplified setup with a well characterized source. This setup was selected to give a high sensitivity to all parameters that might fail or vary over time. The system check does not intend to replace the calibration of the components, but indicates situations where the system uncertainty is exceeded due to drift or failure.

8.2 System Setup

In the simplified setup for system evaluation, the DUT is replaced by a calibrated dipole and the power source is replaced by a continuous wave that comes from a signal generator. The calibrated dipole must be placed beneath the flat phantom section of the SAM twin phantom with the correct distance holder. The distance holder should touch the phantom surface with a light pressure at the reference marking and be oriented parallel to the long side of the phantom. The equipment setup is shown below:

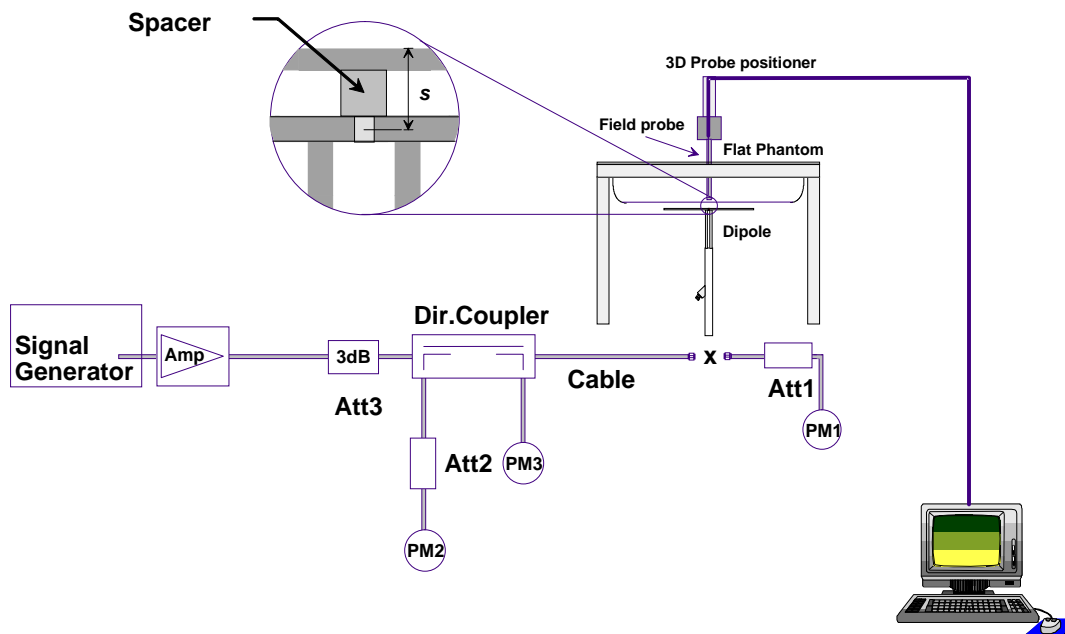


Fig 8.1 System Setup for System Evaluation

1. Signal Generator
2. Amplifier
3. Directional Coupler
4. Power Meter
5. Calibrated Dipole

The output power on dipole port must be calibrated to 24 dBm (250 mW) before dipole is connected.

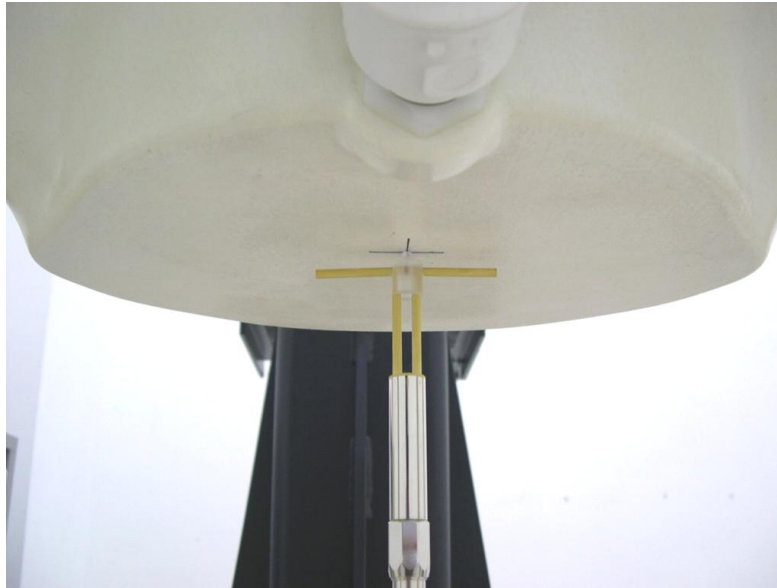


Fig 8.2 Photo of Dipole Setup

8.3 Validation Results

Comparing to the original SAR value provided by SPEAG, the validation data should be within its specification of 10 %. Table 8.1 shows the target SAR and measured SAR after normalized to 1W input power. The table below indicates the system performance check can meet the variation criterion and the plots can be referred to Appendix A of this report.

Measurement Date	Frequency (MHz)	Liquid Type	Targeted SAR _{1g} (W/kg)	Measured SAR _{1g} (W/kg)	Normalized SAR _{1g} (W/kg)	Deviation (%)
Aug. 30, 2011	835	Body	9.82	2.53	10.12	3.05
Sep. 06, 2011	835	Body	9.82	2.55	10.20	3.87
Aug. 30, 2011	1900	Body	40.00	10.70	42.80	7.00
Sep. 06, 2011	1900	Body	40.00	10.00	40.00	0.00
Aug. 30, 2011	2450	Body	52.30	13.80	55.20	5.54

Table 8.1 Target and Measurement SAR after Normalized

9. DUT Testing Position

This DUT was tested in four different positions. They are bottom face of tablet PC with phantom 0.5 cm gap, bottom face of tablet PC with phantom 0 cm gap, front face of tablet PC with phantom 1 cm gap, and Secondary Portrait with phantom 0.6 cm gap. In these positions, the surface of DUT is touching with phantom 0 cm gap. Please refer to Appendix D for the test setup photos.

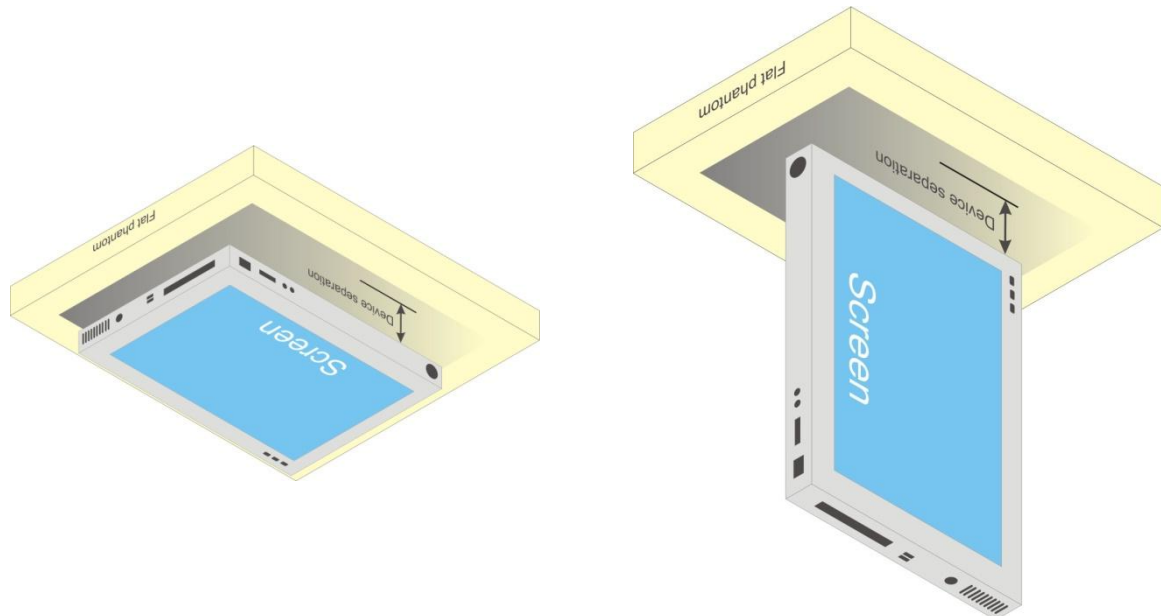


Fig 9.1 Illustration for Lap-touching Position

10. Measurement Procedures

The measurement procedures are as follows:

- (a) For WWAN function, link DUT with base station emulator in highest power channel
- (b) Set base station emulator to allow DUT to radiate maximum output power
- (c) Measure output power through RF cable and power meter
- (d) Place the DUT in the positions described in the last section
- (e) Set scan area, grid size and other setting on the DASY software
- (f) Taking data for the middle channel on each testing position
- (g) Find out the largest SAR result on these testing positions of each band
- (h) Measure SAR results for other channels in worst SAR testing position if the SAR of highest power channel is larger than 0.8 W/kg

According to the test standard, the recommended procedure for assessing the peak spatial-average SAR value consists of the following steps:

- (a) Power reference measurement
- (b) Area scan
- (c) Zoom scan
- (d) Power drift measurement

10.1 Spatial Peak SAR Evaluation

The procedure for spatial peak SAR evaluation has been implemented according to the test standard. It can be conducted for 1g and 10g, as well as for user-specific masses. The DASY software includes all numerical procedures necessary to evaluate the spatial peak SAR value.

The base for the evaluation is a "cube" measurement. The measured volume must include the 1g and 10g cubes with the highest averaged SAR values. For that purpose, the center of the measured volume is aligned to the interpolated peak SAR value of a previously performed area scan.

The entire evaluation of the spatial peak values is performed within the post-processing engine (SEMCAD). The system always gives the maximum values for the 1g and 10g cubes. The algorithm to find the cube with highest averaged SAR is divided into the following stages:

- (a) Extraction of the measured data (grid and values) from the Zoom Scan
- (b) Calculation of the SAR value at every measurement point based on all stored data (A/D values and measurement parameters)
- (c) Generation of a high-resolution mesh within the measured volume
- (d) Interpolation of all measured values from the measurement grid to the high-resolution grid
- (e) Extrapolation of the entire 3-D field distribution to the phantom surface over the distance from sensor to surface
- (f) Calculation of the averaged SAR within masses of 1g and 10g



10.2 Area & Zoom Scan Procedures

First Area Scan is used to locate the approximate location(s) of the local peak SAR value(s). The measurement grid within an Area Scan is defined by the grid extent, grid step size and grid offset. Next, in order to determine the EM field distribution in a three-dimensional spatial extension, Zoom Scan is required. The Zoom Scan measures 5x5x7 points with step size 8, 8 and 5 mm for 300 MHz to 3 GHz, and 8x8x8 points with step size 4, 4 and 2.5 mm for 3 GHz to 6 GHz. The Zoom Scan is performed around the highest E-field value to determine the averaged SAR-distribution over 10 g.

10.3 Volume Scan Procedures

The volume scan is used for assess overlapping SAR distributions for antennas transmitting in different frequency bands. It is equivalent to an oversized zoom scan used in standalone measurements. The measurement volume will be used to enclose all the simultaneous transmitting antennas. For antennas transmitting simultaneously in different frequency bands, the volume scan is measured separately in each frequency band. In order to sum correctly to compute the 1g aggregate SAR, the DUT remain in the same test position for all measurements and all volume scan use the same spatial resolution and grid spacing (step-size is 4, 4 and 2.5 mm). When all volume scan were completed, the software, SEMCAD postprocessor can combine and subsequently superpose these measurement data to calculating the multiband SAR.

10.4 SAR Averaged Methods

In DASy, the interpolation and extrapolation are both based on the modified Quadratic Shepard's method. The interpolation scheme combines a least-square fitted function method and a weighted average method which are the two basic types of computational interpolation and approximation.

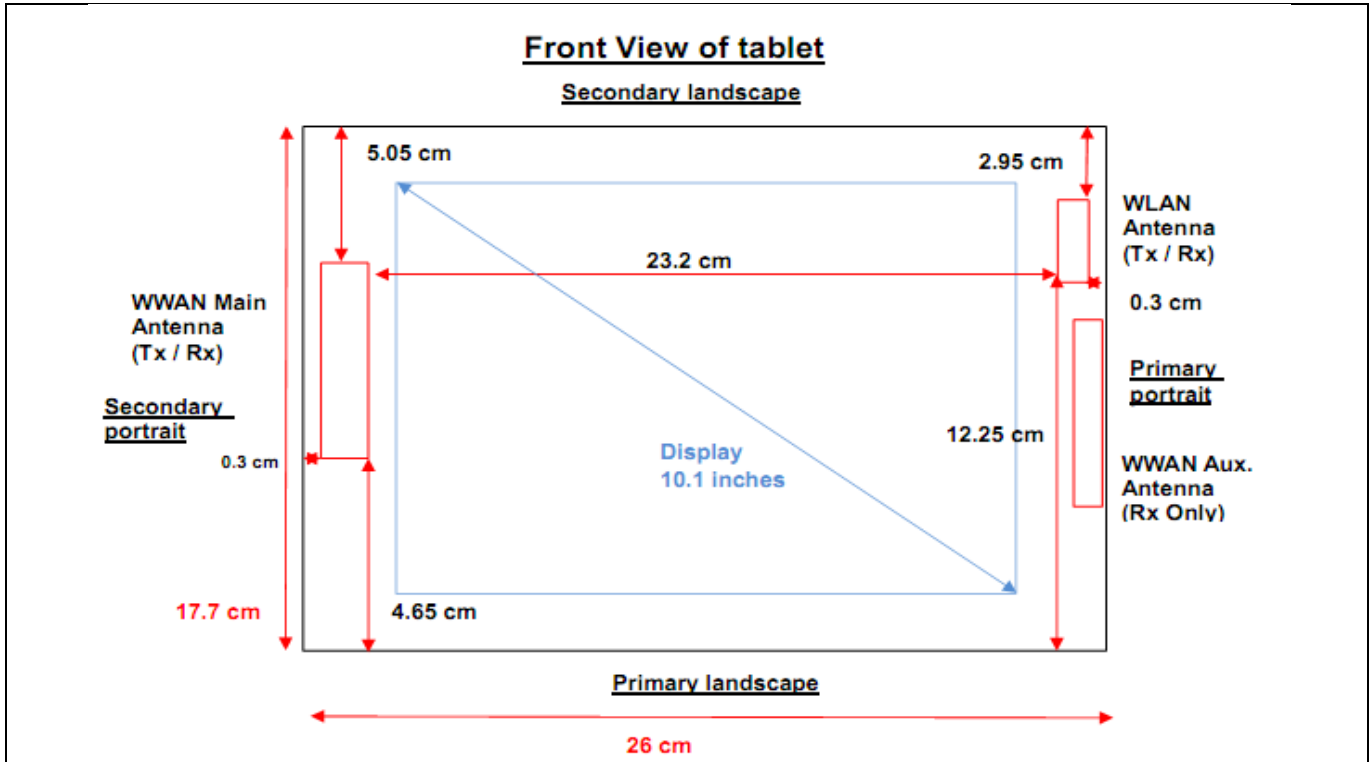
Extrapolation routines are used to obtain SAR values between the lowest measurement points and the inner phantom surface. The extrapolation distance is determined by the surface detection distance and the probe sensor offset. The uncertainty increases with the extrapolation distance. To keep the uncertainty within 1% for the 1 g and 10 g cubes, the extrapolation distance should not be larger than 5 mm.

10.5 Power Drift Monitoring

All SAR testing is under the DUT install full charged battery and transmit maximum output power. In DASy measurement software, the power reference measurement and power drift measurement procedures are used for monitoring the power drift of DUT during SAR test. Both these procedures measure the field at a specified reference position before and after the SAR testing. The software will calculate the field difference in dB. If the power drift more than 5%, the SAR will be retested.

11. SAR Test Configurations

11.1 11.1 Exposure Positions Consideration



Note:

1. For each wireless mode, SAR tests for bottom and edges are required, if the transmitting antenna is within 5cm from that bottom or edge according to KDB447498. In case, the Bottom, Secondary landscape (edge), Primary portrait (edge) for WLAN.
2. The WLAN does not support power reduction.

Sides for SAR testing						
	Front Face	Bottom (Rear Face)	Primary landscape	Secondary landscape	Primary portrait	Secondary portrait
GPRS/EDGE 850/1900 WCDMA Band 2/5	✓(10mm)	✓(0/5mm)	✓(0mm)	x	x	✓(0/6mm)
WLAN 11b/g/n 2.4GHz	✓(10mm)	✓(0mm)	x	✓(0mm)	✓(0mm)	x

11.2 Simultaneous Transmitting Configurations

According to the KDB 447498, the simultaneous transmission SAR for WWAN and WLAN/BT was not required, because the sum of the stand-alone 1-g SAR is < 1.6mW/g. The BT standalone SAR and simultaneous transmission SAR for WLAN and BT were not required, because the BT maximum power is less than 60/f. Please find the section 11.2 of WWAN report, FA132604A for details.

12. SAR Test Results

12.1 Conducted Power (Unit: dBm)

< Without Power Reduction: GPRS / EDGE 850, 1900 >

GSM/GPRS/EDGE Burst Average Power						
Band	GSM850			GSM1900		
Channel	128	189	251	512	661	810
Frequency (MHz)	824.2	836.4	848.8	1850.2	1880.0	1909.8
GPRS 8 (1 Uplink) – CS1	32.04	32.11	32.09	29.24	29.32	29.35
GPRS 10 (2 Uplink) – CS1	29.37	29.40	29.44	28.09	28.02	28.11
EDGE 8 (GMSK, 1 Uplink) – MCS1	26.57	26.52	26.53	25.55	25.61	25.64
EDGE 10 (GMSK, 2 Uplink) – MCS1	26.52	26.56	26.58	25.51	25.58	25.54
EDGE 8 (8PSK, 1 Uplink) – MCS9	32.03	32.10	32.07	29.11	29.15	29.14
EDGE 10 (8PSK, 2 Uplink) – MCS9	32.19	29.20	29.28	28.07	28.00	28.13

Note: Maximum burst average power in the table above.

Source-Based Time-Averaged Power						
Band	GSM850			GSM1900		
Channel	128	189	251	512	661	810
Frequency (MHz)	824.2	836.4	848.8	1850.2	1880.0	1909.8
GPRS 8 (1 Uplink) – CS1	23.04	23.11	23.09	20.24	20.32	20.35
GPRS 10 (2 Uplink) – CS1	23.37	23.40	23.44	22.09	22.02	22.11
EDGE 8 (GMSK, 1 Uplink) – MCS1	17.57	17.52	17.53	16.55	16.61	16.64
EDGE 10 (GMSK, 2 Uplink) – MCS1	20.52	20.56	20.58	19.51	19.58	19.54
EDGE 8 (8PSK, 1 Uplink) – MCS9	23.03	23.10	23.07	20.11	20.15	20.14
EDGE 10 (8PSK, 2 Uplink) – MCS9	26.19	23.20	23.28	22.07	22.00	22.13

Remark:
The source-based time-averaged power is linearly scaled the maximum burst averaged power based on time slots. The calculated method are shown as below:
Source based time averaged power = Maximum burst averaged power (1 Uplink) - 9 dB
Source based time averaged power = Maximum burst averaged power (2 Uplink) - 6 dB

Note:

- Following KDB 941225 D03, for Body-worn SAR testing, the DUT was set in GPRS10 for GSM850 and for GSM1900 due to its highest source-based time-average power.
- Per 2010/10 workshop, the maximum output power channel is used for SAR testing and for further SAR test reduction.
- EDGE tests with MCS1 setting, GMSK modulation. Burst average power with MCS9 setting 8 PSK modulation, is provided voluntary for reference.

<With Power Reduction: GPRS / EDGE 850, 1900>

GSM/GPRS/EDGE Burst Average Power						
Band	GSM850			GSM1900		
Channel	128	189	251	512	661	810
Frequency (MHz)	824.2	836.4	848.8	1850.2	1880.0	1909.8
GPRS 8 (1 Uplink) – CS1	28.97	29.09	29.05	25.19	25.36	25.39
GPRS 10 (2 Uplink) – CS1	26.44	26.49	26.56	24.28	24.03	24.57
EDGE 8 (GMSK, 1 Uplink) – MCS1	23.54	23.62	23.77	21.67	21.64	21.71
EDGE 10 (GMSK, 2 Uplink) – MCS1	26.47	23.65	23.69	21.58	21.66	21.55
EDGE 8 (8PSK, 1 Uplink) – MCS9	28.99	29.04	29.14	25.08	25.19	25.20
EDGE 10 (8PSK, 2 Uplink) – MCS9	26.22	26.34	23.66	24.11	24.02	24.17

Note:

- Burst average output power here, and the reduction difference level is from full power and reduction power.
- The target power reduction value is listed in sec. 3.4.2. The deviation from the specification is due to the tolerance in the measurement.

Source-Based Time-Averaged Power						
Band	GSM850			GSM1900		
Channel	128	189	251	512	661	810
Frequency (MHz)	824.2	836.4	848.8	1850.2	1880.0	1909.8
GPRS 8 (1 Uplink) – CS1	19.97	20.09	20.05	16.19	16.36	16.39
GPRS 10 (2 Uplink) – CS1	20.44	20.49	20.56	18.28	18.03	18.57
EDGE 8 (GMSK, 1 Uplink) – MCS1	14.54	14.62	14.77	12.67	12.64	12.71
EDGE 10 (GMSK, 2 Uplink) – MCS1	20.47	17.65	17.69	15.58	15.66	15.55
EDGE 8 (8PSK, 1 Uplink) – MCS9	19.99	20.04	20.14	16.08	16.19	16.20
EDGE 10 (8PSK, 2 Uplink) – MCS9	20.22	20.34	17.66	18.11	18.02	18.17

Remark:

The source-based time-averaged power is linearly scaled the maximum burst averaged power based on time slots. The calculated method are shown as below:
 Source based time averaged power = Maximum burst averaged power (1 Uplink) - 9 dB
 Source based time averaged power = Maximum burst averaged power (2 Uplink) - 6 dB

Note:

- Following KDB 941225 D03, for Body-worn SAR testing, the DUT was set in GPRS10 for GSM850 and for GSM1900 due to its highest source-based time-average power.
- Per 2010/10 workshop, the maximum output power channel is used for SAR testing and for further SAR test reduction.
- EDGE tests with MCS1 setting, GMSK modulation. Burst average power with MCS9 setting 8 PSK modulation, is provided voluntary for reference.



Measured Power Reduction Level

Band	GSM850			GSM1900		
Channel	128	189	251	512	661	810
Frequency (MHz)	824.2	836.4	848.8	1850.2	1880	1909.8
GPRS 8 (1 Uplink) – CS1	3.07	3.02	3.04	4.05	3.96	3.96
GPRS 10 (2 Uplink) – CS1	2.93	2.91	2.88	3.81	3.99	3.54
EDGE 8 (1 Uplink) – MCS1	3.03	2.90	2.76	3.88	3.97	3.93
EDGE 10 (2 Uplink) – MCS1	0.05	2.91	2.89	3.93	3.92	3.99
EDGE 8 (1 Uplink) – MCS9	3.04	3.06	2.93	4.03	3.96	3.94
EDGE 10 (2 Uplink) – MCS9	5.97	2.86	5.62	3.96	3.98	3.96

Note:

- 1. Burst average output power here
- 2. The target power reduction value is listed in sec. 3.4.2. The deviation from the specification is due to the tolerance in the measurement.



< Without Power Reduction: WCDMA Band V, II >

Band	WCDMA V			WCDMA II		
Channel	4132	4182	4233	9262	9400	9538
Frequency	826.4	836.4	846.6	1852.4	1880	1907.6
RMC 12.2K	23.06	23.18	22.95	22.83	22.85	22.88
HSDPA Subtest-1	23.15	23.14	23.11	22.11	22.15	22.10
HSDPA Subtest-2	23.08	23.13	23.03	22.19	22.16	22.07
HSDPA Subtest-3	22.74	22.78	22.60	21.61	21.59	21.60
HSDPA Subtest-4	22.58	22.61	22.50	21.54	21.60	21.57
HSUPA Subtest-1	22.20	22.23	22.09	21.96	21.91	21.97
HSUPA Subtest-2	20.01	19.99	20.11	20.16	20.19	20.15
HSUPA Subtest-3	20.26	20.28	20.14	21.15	21.17	19.90
HSUPA Subtest-4	20.11	20.15	20.10	20.10	19.99	19.87
HSUPA Subtest-5	22.06	22.11	22.19	21.93	21.92	21.95

MPR						
	WCDMA band V			WCDMA band II		
HSDPA Subtest-1	0.00	0.00	0.00	0.00	0.00	0.00
HSDPA Subtest-2	0.07	0.01	0.08	-0.08	-0.01	0.03
HSDPA Subtest-3	0.41	0.36	0.51	0.50	0.56	0.50
HSDPA Subtest-4	0.57	0.53	0.61	0.57	0.55	0.53
HSUPA Subtest-1	-0.14	-0.12	0.10	-0.03	0.01	-0.02
HSUPA Subtest-2	2.05	2.12	2.08	1.77	1.73	1.80
HSUPA Subtest-3	1.80	1.83	1.84	0.78	0.75	0.84
HSUPA Subtest-4	1.95	1.96	2.09	1.83	1.93	2.08
HSUPA Subtest-5	0.00	0.00	0.00	0.00	0.00	0.00

Note:

- Referring to KDB 941225 D01, RMC 12.2kbps setting is used for all SAR tests. If HSDPA and HSUPA output power is less than 1/4 dB higher than RMC 12.2kbps, SAR tests for HSDPA and HSUPA can be excluded.
- DUT HSUPA subtests output power is declared to follow the minimum requirement of 3GPP Table 5.2B.5 specification, HSDPA subtests output power is declared to follow the minimum requirement of 3GPP Table 5.2AA.2 specification. Since there is tolerance in measuring 3G output power, the difference between the measured value and the specification is treated as tolerance. According to KDB 941225 D02 v02, 1)b), the MPR implementation information is provided here.



<With Power Reduction: WCDMA Band V, II >

Band	WCDMA V			WCDMA II		
Channel	4132	4182	4233	9262	9400	9538
Frequency	826.4	836.4	846.6	1852.4	1880	1907.6
RMC 12.2K	19.13	19.12	19.16	18.84	18.88	18.90
HSDPA Subtest-1	19.28	19.31	19.15	18.24	18.51	18.14
HSDPA Subtest-2	19.30	19.27	19.14	18.24	18.22	18.08
HSDPA Subtest-3	18.76	18.88	18.78	17.72	17.73	17.44
HSDPA Subtest-4	18.75	18.78	18.80	17.78	17.69	18.56
HSUPA Subtest-1	18.97	19.10	19.15	18.17	18.14	17.99
HSUPA Subtest-2	17.10	17.07	17.08	16.22	16.13	16.17
HSUPA Subtest-3	18.08	18.12	18.17	16.74	17.03	17.07
HSUPA Subtest-4	17.09	17.11	17.13	16.14	16.17	16.11
HSUPA Subtest-5	19.08	19.19	19.11	18.15	18.03	17.96

MPR						
	WCDMA band V			WCDMA band II		
HSDPA Subtest-1	0.00	0.00	0.00	0.00	0.00	0.00
HSDPA Subtest-2	-0.02	0.04	0.01	0.00	0.29	0.06
HSDPA Subtest-3	0.52	0.43	0.37	0.52	0.78	0.70
HSDPA Subtest-4	0.53	0.53	0.35	0.46	0.82	-0.42
HSUPA Subtest-1	0.11	0.09	-0.04	-0.02	-0.11	-0.03
HSUPA Subtest-2	1.98	2.12	2.03	1.93	1.90	1.79
HSUPA Subtest-3	1.00	1.07	0.94	1.41	1.00	0.89
HSUPA Subtest-4	1.99	2.08	1.98	2.01	1.86	1.85
HSUPA Subtest-5	0.00	0.00	0.00	0.00	0.00	0.00

Note:

1. Referring to KDB 941225 D01, RMC 12.2kbps setting is used for all SAR tests. If HSDPA and HSUPA output power is less than 1/4 dB higher than RMC 12.2kbps, SAR tests for HSDPA and HSUPA can be excluded.
2. In power reduction mode, testing SAR only in RMC 12.2kbps is still applicable. The target power reduction value is listed in sec. 3.4.2. The deviation from the specification is due to the tolerance in the measurement.



Measured Power Reduction Level

Band	WCDMA Band V			WCDMA Band II		
	Channel	4132	4182	4233	9262	9400
Frequency (MHz)	826.4	836.4	846.6	1852.4	1880	1907.6
RMC 12.2K	3.93	4.06	3.79	3.99	3.97	3.98
HSDPA Subtest-1	3.87	3.83	3.96	3.87	3.64	3.96
HSDPA Subtest-2	3.78	3.86	3.89	3.95	3.94	3.99
HSDPA Subtest-3	3.98	3.90	3.82	3.89	3.86	4.16
HSDPA Subtest-4	3.83	3.83	3.70	3.76	3.91	3.01
HSUPA Subtest-1	3.23	3.13	2.94	3.79	3.77	3.98
HSUPA Subtest-2	2.91	2.92	3.03	3.94	4.06	3.98
HSUPA Subtest-3	2.18	2.16	1.97	4.41	4.14	2.83
HSUPA Subtest-4	3.02	3.04	2.97	3.96	3.82	3.76
HSUPA Subtest-5	2.98	2.92	3.08	3.78	3.89	3.99

Note:

The target power reduction value is listed in sec. 3.4.2. The deviation from the specification is due to the tolerance in the measurement.



<WLAN>

Band	802.11b			802.11g		
Channel	1	6	11	1	6	11
Frequency (MHz)	2412	2437	2462	2412	2437	2462
Average Power	14.21	13.52	13.11	12.36	12.92	8.24

Band	802.11n (BW 20MHz)		
Channel	1	6	11
Frequency (MHz)	2412	2437	2462
Average Power	10.21	10.94	6.01

Note:

- 1. Per KDB 248227, choose 11b mode to test SAR; 11g and 11n output power is less than 11b mode, and SAR can be excluded.
- 2. Per 2010/4 TCB workshop, choose the highest output power channel to test SAR and determine further SAR exclusion, and 11b CH11 is chosen here.

Band	Bluetooth		
Data Rate	2Mbps		
Channel	0	39	78
Frequency (MHz)	2402	2441	2480
Average Power	0.83	1.18	1.80

Note: Bluetooth standalone SAR is not required because the Bluetooth peak power (1.80 dBm) is less than 60/f.

12.2 Test Records for Body SAR Test

<0 cm 2G/3G SAR>

Plot No.	Band	Mode	Test Position	Gap (cm)	Ch.	Earphone	Sensor	SAR _{1g} (W/kg)
6	GSM850	GPRS10	Bottom Face	0	251	v	On	1.15
12	GSM850	GPRS10	Bottom Face	0	128	v	On	0.566
13	GSM850	GPRS10	Bottom Face	0	189	v	On	0.756
2	GSM1900	GPRS10	Bottom Face	0	810	v	On	1.12
16	GSM1900	GPRS10	Bottom Face	0	512	v	On	0.571
17	GSM1900	GPRS10	Bottom Face	0	661	v	On	0.758
21	WCDMA Band V	RMC12.2K	Bottom Face	0	4233	v	On	0.773
22	WCDMA Band V	RMC12.2K	Bottom Face	0	4132	v	On	0.583
23	WCDMA Band V	RMC12.2K	Bottom Face	0	4182	v	On	0.875
4	WCDMA Band II	RMC12.2K	Secondary Portrait	0	9538	-	On	1.22
26	WCDMA Band II	RMC12.2K	Secondary Portrait	0	9262	-	On	1.21
27	WCDMA Band II	RMC12.2K	Secondary Portrait	0	9400	-	On	1.18

<Reference 2G/3G SAR>

Plot No.	Band	Mode	Test Position	Gap (cm)	Ch.	Earphone	Sensor	SAR _{1g} (W/kg)
7	GSM850	GPRS10	Bottom Face	0.5	251	v	Off	1
10	GSM850	GPRS10	Bottom Face	0.5	128	v	Off	0.433
11	GSM850	GPRS10	Bottom Face	0.5	189	v	Off	0.612
1	GSM1900	GPRS10	Bottom Face	0.5	810	v	Off	0.983
14	GSM1900	GPRS10	Bottom Face	0.5	512	v	Off	0.613
15	GSM1900	GPRS10	Bottom Face	0.5	661	v	Off	0.796
9	WCDMA Band V	RMC12.2K	Secondary Portrait	0.6	4182	-	Off	1.44
19	WCDMA Band V	RMC12.2K	Secondary Portrait	0.6	4132	-	Off	0.929
20	WCDMA Band V	RMC12.2K	Secondary Portrait	0.6	4233	-	Off	1.24
3	WCDMA Band II	RMC12.2K	Front Face	1	9538	-	Off	1.09
24	WCDMA Band II	RMC12.2K	Front Face	1	9262	-	Off	1.2
25	WCDMA Band II	RMC12.2K	Front Face	1	9400	-	Off	1.25

Note:

1 cm test results are for confirming operation of the power reduction scheme, and are not applicable for compliance demonstration for the FCC tablet PC SAR test procedures

<0 cm WLAN SAR>

Plot No.	Band	Mode	Test Position	Gap (cm)	Ch.	Earphone	SAR _{1g} (W/kg)
5	802.11b	-	Bottom Face	0	11	v	0.189

12.3 Simultaneous Transmission SAR Analysis and Measurements

<Test distance 5mm to the phantom; DUT with Full Power SAR>

Position	Accessory	GSM 850	GSM 1900	WCDMA Band V	WCDMA Band II	802.11b/g	Max. SAR Summation
Bottom Face	Earphone	1	0.983	N/A	N/A	N/A	N/A

<Test distance 0mm to the phantom; DUT with Full Power SAR>

Position	Accessory	GSM 850	GSM 1900	WCDMA Band V	WCDMA Band II	802.11b/g	Max. SAR Summation
Bottom Face	Earphone	1.15	1.12	0.875	N/A	0.189	1.339

<Test distance 10mm to the phantom; DUT with Full Power SAR>

Position	Accessory	GSM 850	GSM 1900	WCDMA Band V	WCDMA Band II	802.11b/g	Max. SAR Summation
Front Face	-	N/A	N/A	N/A	1.25	N/A	N/A

<Test distance 6mm to the phantom; DUT with Full Power SAR>

Position	Accessory	GSM 850	GSM 1900	WCDMA Band V	WCDMA Band II	802.11b/g	Max. SAR Summation
Secondary Portrait	-	N/A	N/A	1.44	N/A	N/A	N/A

<Test distance 0mm to the phantom; DUT with Full Power SAR>

Position	Accessory	GSM 850	GSM 1900	WCDMA Band V	WCDMA Band II	802.11b/g	Max. SAR Summation
Secondary Portrait	-	N/A	N/A	N/A	1.22	N/A	N/A

Note:

1. 1 cm test results are for confirming operation of the power reduction scheme, and are not applicable for compliance demonstration for the FCC tablet PC SAR test procedures
2. WLAN SAR data at 0mm is applied here, and it will represent more conservative situation than WLAN SAR data at 10mm.



13. References

- [1] FCC 47 CFR Part 2 "Frequency Allocations and Radio Treaty Matters; General Rules and Regulations"
- [2] IEEE Std. C95.1-1991, "IEEE Standard for Safety Levels with Respect to Human Exposure to Radio Frequency Electromagnetic Fields, 3 kHz to 300 GHz", 1991
- [3] IEEE Std. 1528-2003, "Recommended Practice for Determining the Peak Spatial-Average Specific Absorption Rate (SAR) in the Human Head from Wireless Communications Devices: Measurement Techniques", December 2003
- [4] FCC OET Bulletin 65 (Edition 97-01) Supplement C (Edition 01-01), "Evaluating Compliance with FCC Guidelines for Human Exposure to Radiofrequency Electromagnetic Fields", June 2001
- [5] SPEAG DASY System Handbook
- [6] FCC KDB 248227 D01 v01r02, "SAR Measurement Procedures for 802.11 a/b/g Transmitters", May 2007
- [7] FCC KDB 447498 D01 v04, "Mobile and Portable Device RF Exposure Procedures and Equipment Authorization Policies", November 2009
- [8] FCC KDB 616217 D03 v01, "SAR Evaluation Considerations for Laptop/Notebook/Netbook and Tablet Computers", November 2009
- [9] FCC KDB 941225 D01 v02, "SAR Measurement Procedures for 3G Devices – CDMA 2000 / Ev-Do / WCDMA / HSDPA / HSPA", October 2007
- [10] FCC KDB 941225 D03 v01, "Recommended SAR Test Reduction Procedures for GSM / GPRS / EDGE", December 2008
- [11] FCC KDB 941225 D04 v01, "Evaluating SAR for GSM/(E)GPRS Dual Transfer Mode", January 27 2010
- [12] FCC KDB 941225 D07 01, "SAR Evaluation Procedure for UMPC Mini-Tablet Devices", April 2011



Appendix A. Plots of System Performance Check

The plots are shown as follows.



Appendix B. Plots of SAR Measurement

The plots are shown as follows.



Appendix C. DAS Y Calibration Certificate

The DAS Y calibration certificates are shown as follows.



Appendix F. Original Report

Please refer to Sporton report number No.FA132604-04A and FA132604-04B as below.