

© 2022. All Rights Reserved.

Acer Chromebook Spin 514 / Acer Chromebook Enterprise Spin 514

Covers: CP514-3H / CP514-3HH / CP514-3WH

This manual contains proprietary information that is protected by copyright laws. The information contained in this manual is subject to change without notice. Some features described in this manual may not be supported depending on the Operating System version. Images provided herein are for reference only and may contain information or features that do not apply to your computer. Acer Group shall not be liable for technical or editorial errors or omissions contained in this manual.

Model number: _____

Serial number: _____

Date of purchase: _____

Place of purchase: _____

ENVIRONMENT

Temperature:

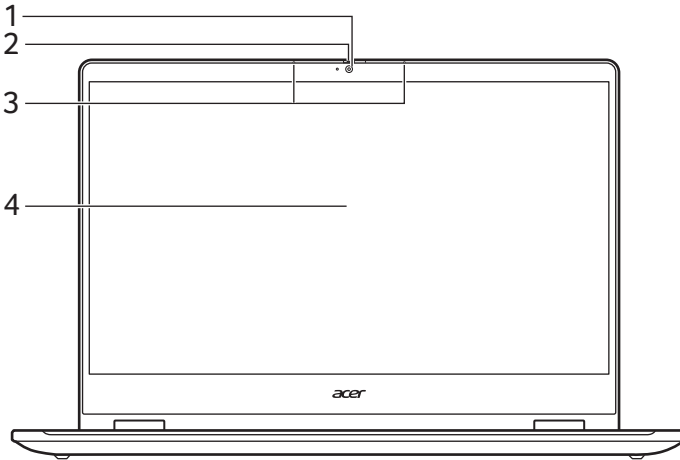
- Operating: 5 °C to 35 °C
- Storage: -20 °C to 60 °C

Humidity (non-condensing):

- Operating: 20% to 80%
- Storage: 20% to 60%

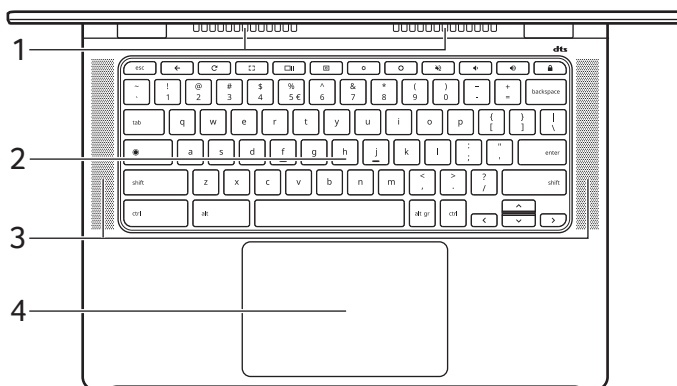
Your Acer Chromebook tour

Front view



#	Icon	Item	Description
1		Webcam	Web camera for video communication. <i>A light next to the webcam indicates that the webcam is active.</i>
2		Webcam shutter	Slide the shutter to the left to cover the webcam. Slide right to open it.
3		Microphones	Internal microphones for sound recording.
4		Touchscreen	Displays Chromebook output, supports multi-touch input.

Keyboard view











#	Icon	Item	Description
1		Ventilation and cooling fan	Allows the Chromebook to stay cool. <i>Do not cover or obstruct the openings.</i>
2		Keyboard	For entering data into your Chromebook.
3		Speakers	Deliver stereo audio output.
4		Touchpad / click button	Touch-sensitive pointing device which functions like a Chromebook mouse. <i>Pressing down anywhere on the pad functions like the left button of a mouse.</i> <i>Pressing down anywhere with two fingers functions like the right button of a mouse.</i>

Function keys




The Chromebook uses function keys or key combinations to access some hardware and software controls, such as screen brightness and volume. The dedicated function keys each have a specific function.

Icon	Function	Description
←	Previous	Go to the previous page.
↻	Reload	Reload the current page.
⌘	Full-screen	Open the page in full-screen mode.

Icon	Function	Description
	Next window	Switch to the next window.
	Screenshot	Takes screenshot.
	Brightness down	Decreases the screen brightness.
	Brightness up	Increases the screen brightness.
	Mute	Turns off audio output.
	Volume down	Decreases the volume.
	Volume up	Increases the volume.
	Launcher	Launch the Apps panel.

Common keyboard shortcuts

You can use shortcuts to complete some tasks more quickly.

Keyboard shortcuts	Description
Ctrl + 	Takes screenshot.
Alt + 	Toggles caps lock.
Alt + 	Projects your screen.

Note: For a complete list of keyboard shortcuts, press **Ctrl + Alt + /**

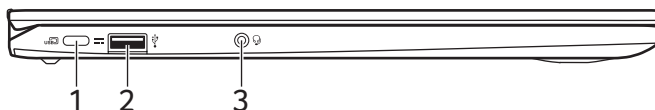
Touchpad

The built-in touchpad is a pointing device that senses movement on its surface. This means the cursor responds as you move your fingers across the surface of the touchpad.

Action	Gesture
Click	Press down on any part of the touchpad.
Two-finger tap (or alt-click)	Tapping the touchpad with two fingers or pressing (and holding) Alt on the keyboard and tapping the touchpad with one finger both equal a "right-click" on a Chromebook mouse.
Two-finger swipe	Place two fingers on the touchpad and move them up and down to scroll vertically, left and right to scroll horizontally.
Drag and drop	Select the item you want to move with one finger. With a second finger, move the item. Release both fingers to drop the item. (This gesture works for files, not windows or icons.)





Left view

CP514-3H



CP514-3HH / CP514-3WH



#	Icon	Item	Description
1		USB Type-C port with DC-in	Connects to the provided USB Type-C power adapter and to USB devices with a USB Type-C connector. Supports DisplayPort™ over USB-C™.
2		USB port	Connects to USB devices.
3		Headset/speaker jack	Connects to audio devices (e.g., speakers, headphones), or a headset with microphone.
4		HDMI port	Supports high-definition digital video connections.

USB 3.2 Gen 2 information

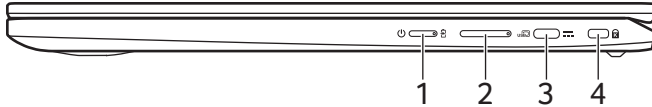
- USB 3.2 Gen 2 compatible ports are blue.
- Compatible with USB 3.2 Gen 2 and earlier devices.
- For optimal performance, use USB 3.2 Gen 2-certified devices.
- Defined by the USB 3.2 Gen 2 specification (SuperSpeed USB).





USB Type-C information

- Supports DisplayPort™ audio/video output.
- Delivers up to 3 A at 5 V DC for USB charging.

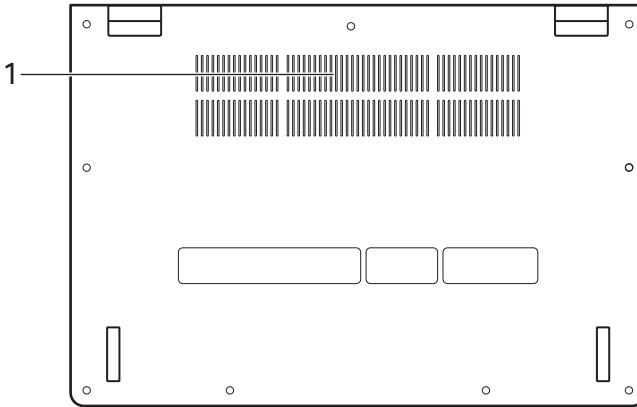
- DC-in: requires power adapter or power source providing 45 W at 5~20 V. For optimal performance, please use a certified Acer power adapter or USB Power Delivery device.

Right view



#	Icon	Item	Description
		Power button	Turns the Chromebook on and off.
1		Battery indicator	Indicates the Chromebook's battery status. Charging: The light shows amber when the battery is charging. Fully charged: The light shows blue when in AC mode.
2	+ / -	Volume control key	Adjusts the system volume.
3		USB Type-C port with DC-in	Connects to the provided USB Type-C power adapter and to USB devices with a USB Type-C connector. Supports DisplayPort™ over USB-C™.
4		Kensington lock slot	Connects to a Kensington-compatible security lock.

Bottom view



#	Icon	Item	Description
1		Ventilation and cooling fan	Allows the Chromebook to stay cool. <i>Do not cover or obstruct the openings.</i>