

acer E210

### Antenna spec

Manufacturer: GSM/WCDMA: ACON GPS/BT/WLAN: ACON

### GSM Antenna / WCDMA Antenna

Frequency: 824-894MHz, 880-960MHz, 1710-1880MHz, 1850~1990MHz.  
2110~2170MHz

Band: Quad-band, GSM850, GSM900, DCS1800, PCS1900, WCDMA850,  
WCDMA1900

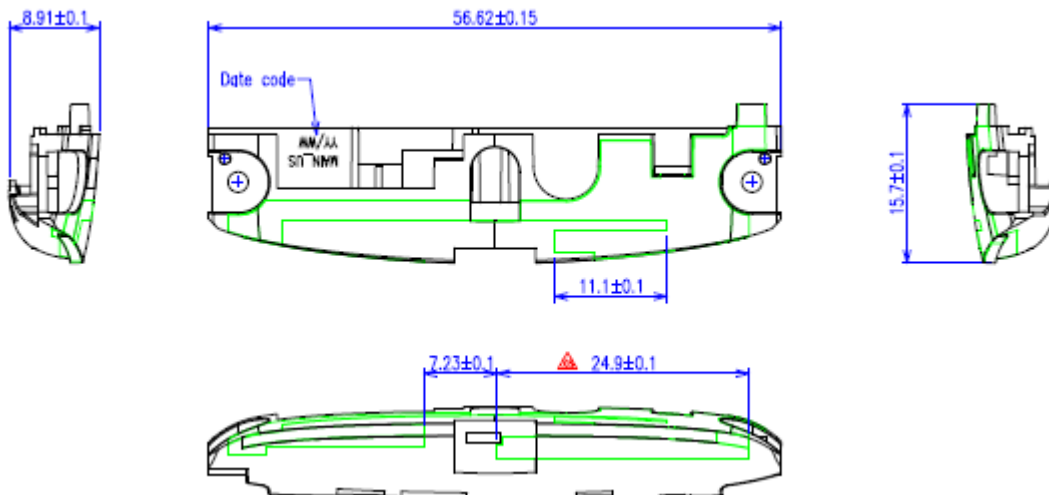
Peak Gain: 1.17dBi @ GSM850, 0.35dBi @ GSM900, 1.46dBi @ DCS,  
1.04dBi @ PCS, 1.17dBi @ WCDMA850, 1.04dBi @ WCDMA1900

Antenna type: PIFA antenna

Antenna material: LDS

Antenna model name : AA28 MAIN-ANT LDS 5-BAND

Antenna drawing:



## Bluetooth Antenna

BAND	Frequency (MHz)	Passive		
		Gain (dBi)	Efficiency (dB)	Efficiency (%)
Bluetooth	2400	0.9	-3.3	46.2
	2442	1.0	-3.1	47.3
	2484	0.6	-3.8	41.5

Operating frequency : 2.4-2.484GHz

Number of Channels : 79 Channels

Channel spacing : 1MHz

ITU-class of emission : class1

Mode of operation : duplex

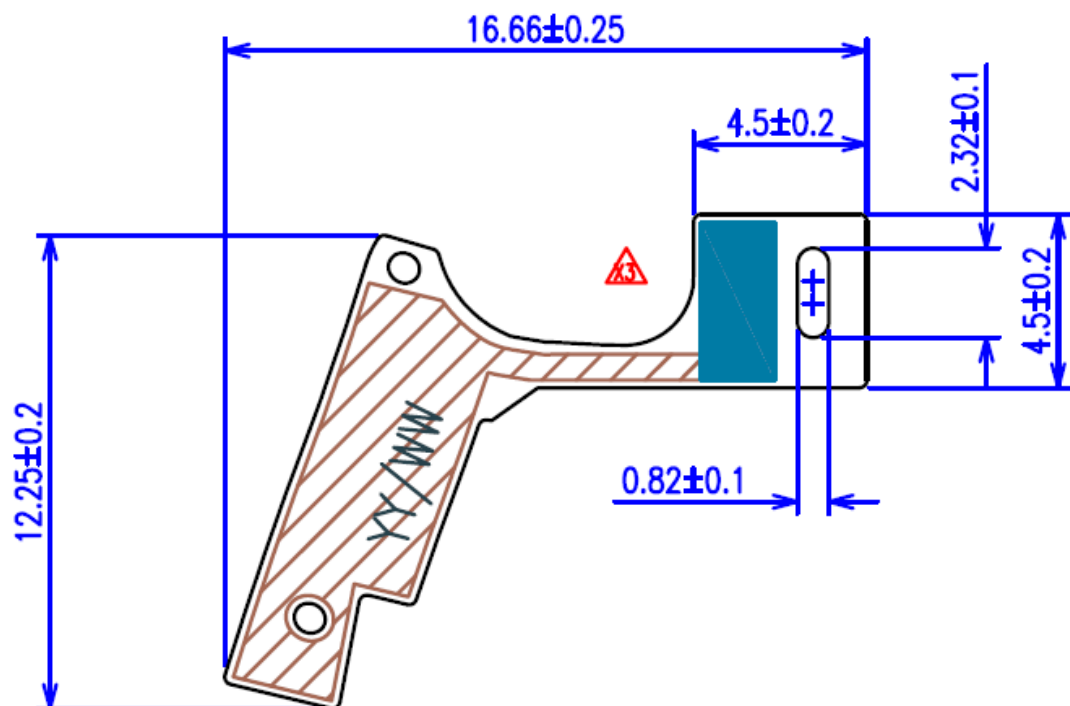
TRP (FS) : 1.49dBm

TIS (FS) : -81.5dBm

Type of antenna : PIFA antenna

Antenna material : FPC

Antenna drawing:



## WLAN Antenna

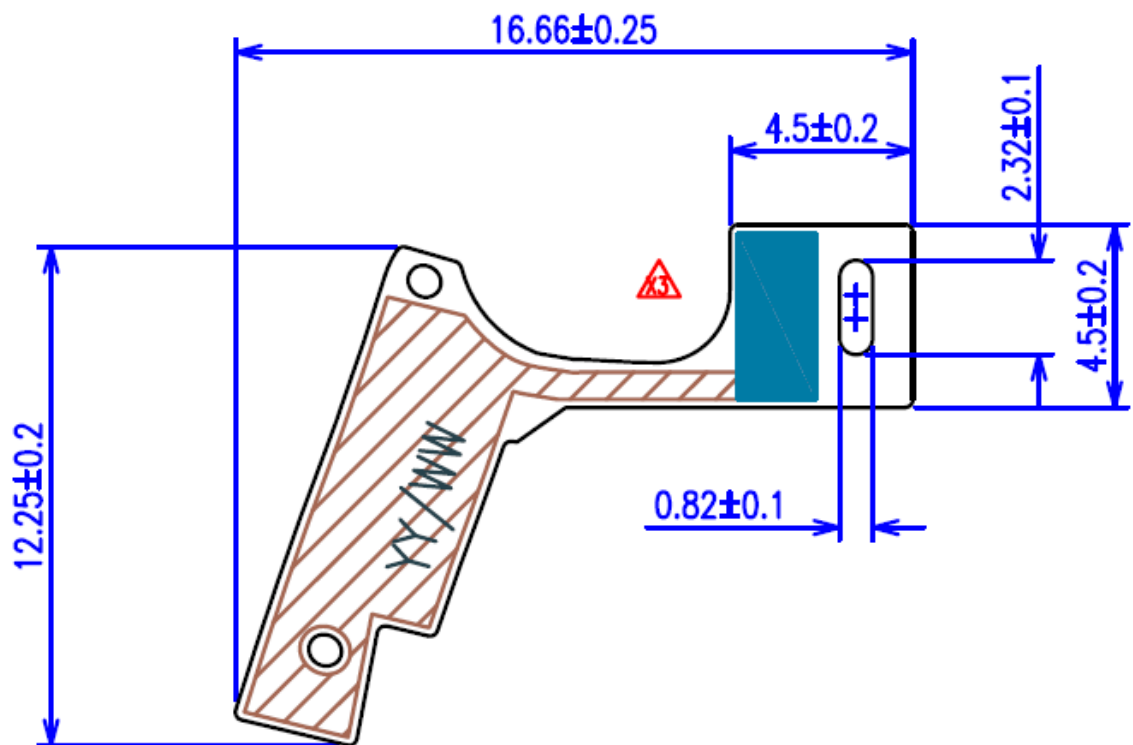
BAND	Frequency (MHz)	Passive		
		Gain (dBi)	Efficiency (dB)	Efficiency (%)
WLAN	2400	0.9	-3.3	46.2
	2442	1.0	-3.1	47.3
	2484	0.6	-3.8	41.5

Operating frequency : 2.4-2.484GHz

Antenna type : PIFA antenna

Antenna material : FPC

Antenna drawing:



## GPS Antenna

BAND	Frequency (MHz)	Passive		
		Gain (dBi)	Efficiency (dB)	Efficiency (%)
GPS	1575.42	0.8	-3.09	48.9

Operating frequency : 1.57542GHz

TIS (FS) : -148.5dBm

UHS (FS) : -145.1dBm

Antenna type : PIFA antenna

Antenna material : FPC

Antenna drawing:

