

acer

A3-A50



**Iconia** Tab 10

# USER'S MANUAL

© 2017 All Rights Reserved

Acer Iconia Tab 10 User's Manual

Covers: A3-A50

Regulatory Model Number (RMN): A7003

This revision: August 2017

## Sign up for an Acer ID and enjoy great benefits

**There are three great reasons for you to get an Acer ID:**

- Create your own connected world.
- Get the latest offers and product information.
- Register your device for quick, personalized customer support.

For more information, please visit the Acer website: [account.acer.com](http://account.acer.com)



### **Important**

**This manual contains proprietary information that is protected by copyright laws. The information contained in this manual is subject to change without notice. Images provided herein are for reference only and may contain information or features that do not apply to your computer. Acer Group shall not be liable for technical or editorial errors or omissions contained in this manual.**

Acer Iconia Tab 10

Model number: \_\_\_\_\_

Serial number: \_\_\_\_\_

Date of purchase: \_\_\_\_\_

Place of purchase: \_\_\_\_\_

# TABLE OF CONTENTS

---

<b>Getting started with your tablet</b>	<b>4</b>	Inserting a microSD card .....	10
Features and functions .....	4	Transferring files between your tablet and a PC .....	10
Unpacking your tablet.....	4	Connecting a Bluetooth device .....	11
Getting to know your tablet.....	5	Accessories .....	12
Turning on for the first time.....	6	<b>Specifications</b>	<b>13</b>
<b>Charging your tablet</b>	<b>8</b>	<b>Guidelines for safe battery usage</b>	<b>16</b>
Assembling the power adapter .....	8	Battery information.....	16
<b>Connecting devices to your tablet</b>	<b>10</b>	Replacing the battery.....	17
Connecting to AC power.....	10		

# GETTING STARTED WITH YOUR TABLET

---

## Features and functions

Your new tablet offers leading, easy-to-access multimedia and entertainment features. You can:

- Connect to the Internet via Wi-Fi.
- Access your email while on the move.
- Keep in touch with your friends with social networking apps.
- Watch movies or listen to music.
- Play games or read a book.

## Unpacking your tablet

Your new tablet comes packed in a protective box. Carefully unpack the box and remove the contents. If any of the following items are missing or damaged, contact your dealer immediately:

- Acer Iconia tablet
- Product setup and safety information
- USB cable
- AC adapter
- Warranty card



### Note

*Before using your tablet for the first time, you need to charge it for at least four hours. After that you can recharge the battery as needed.*

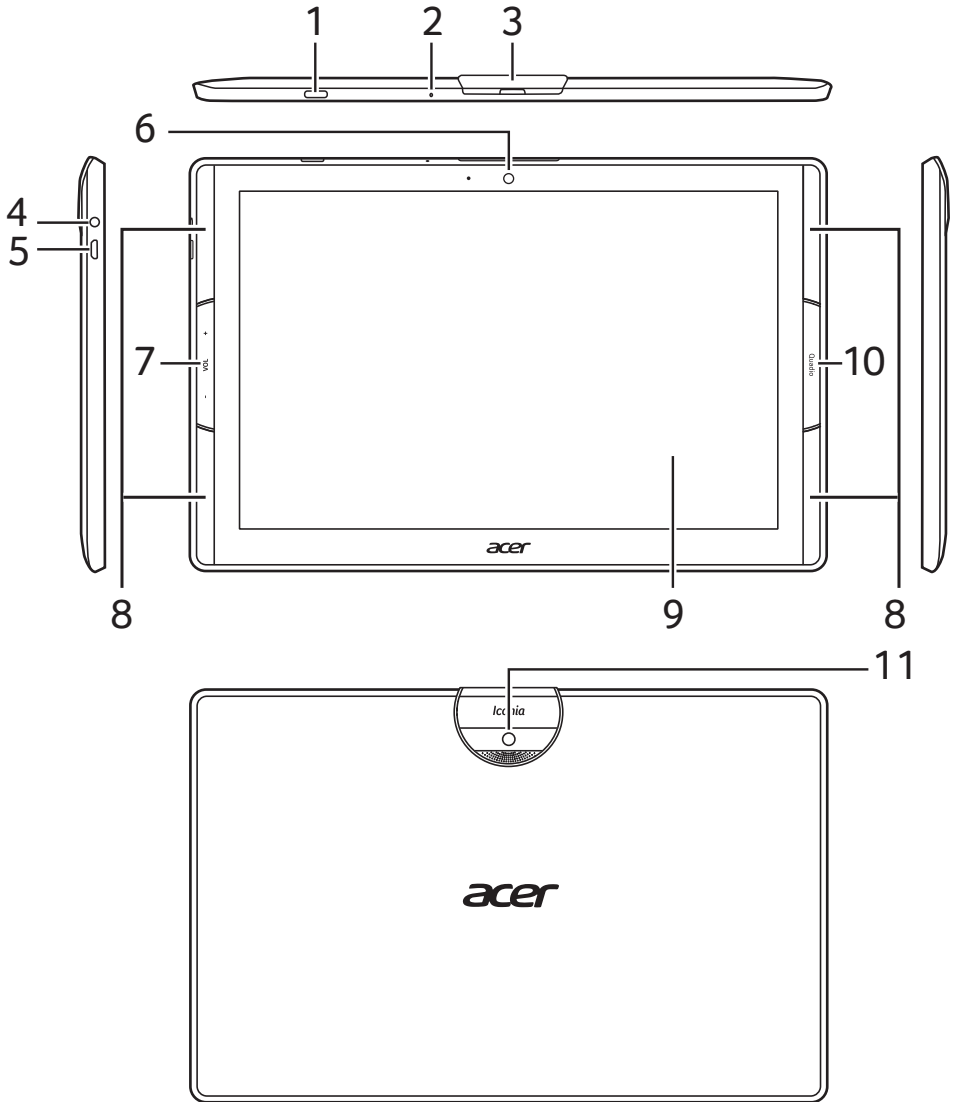


### Note

*If the battery has been depleted for a while, please charge the tablet for at least 30 minutes using the adapter.*

# Getting to know your tablet

## Views

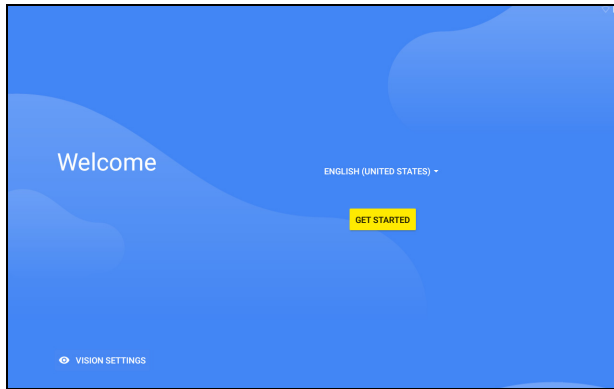


No.	Item	Description
1	Power button	Long press to turn the tablet on, press briefly to turn the screen on/off or enter sleep mode; press and hold to turn the tablet off.
2	Microphone	Receives audio for voice searches, video chats and Internet calls.
3	Cover for Micro HDMI port and microSD card slot	Insert a microSD card into the slot.
4	3.5 mm headphone jack	Connects to stereo headphones.
5	Micro USB port	Connects to a computer via a USB cable. Also serves as the charging port for the AC adapter. For more information, <b>see Charging your tablet on page 8.</b>
6	Front-facing camera	A 2-megapixel camera for video chats and selfies.
7	Volume control key	Increases and decreases the tablet volume.
8	Speakers	Emits audio.
9	Touchscreen	10.1" LED-backlit LCD.
10	MediaMaster button	Selects the best audio and video settings for different activities.
11	Rear-facing camera	A 8-megapixel camera for taking high-resolution images.

## Turning on for the first time

To turn on your tablet, press and hold the power button until you see the Acer logo. Wait a moment for your tablet to boot up. You will then be asked some questions before you can use your tablet.

To start, tap to select your language then tap the arrow. Follow the rest of the instructions as they are displayed.



If the tablet's screen turns off, it has entered sleep mode. Briefly press the power button to wake it up. For more information [see \*\*Waking your tablet on page 25.\*\*](#)

## Sign in to or create a Google account

If you have Internet access, your tablet allows you to synchronize information with a Google account.

During the start-up process, you may create or sign in to an account, which will be used to synchronize your contact list, email, calendar and other information. If you do not yet have Internet access, or do not want to use this feature, then tap **Skip**.



### Important

**You must sign in to a Google Account to use Gmail, Hangouts, Google Calendar, and other Google apps; to download apps from Google Play; to back up your settings to Google servers; and to take advantage of other Google services on your tablet.**

If you have multiple Google accounts, such as separate accounts for personal and business contacts, you can access and synchronize them from the *Accounts* settings section. [See \*\*Multiple Google accounts on page 44\*\*](#)

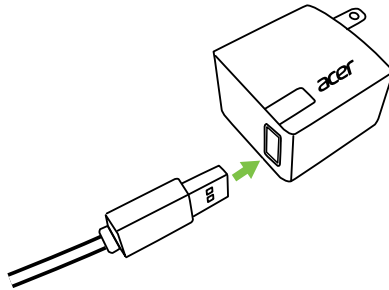
# CHARGING YOUR TABLET

## Assembling the power adapter

Your tablet is bundled with one of two types of USB power adapters: a fixed-prong type or a removable-prong type. Both types are described in this manual.

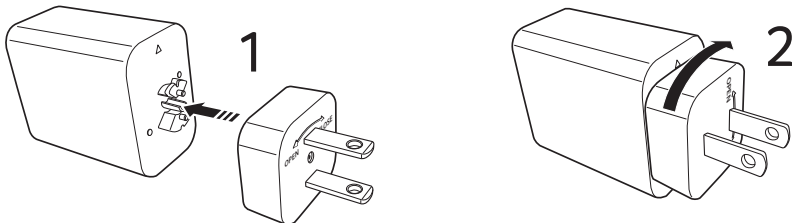
### *Fixed-prong type*

The prongs and power adapter body form a complete piece, no assembly required. Simply slide the large end of the USB cable into the power adapter body (it will fit in only one direction). You cannot remove or switch the prongs with this type of adapter.



### *Removable-prong type*

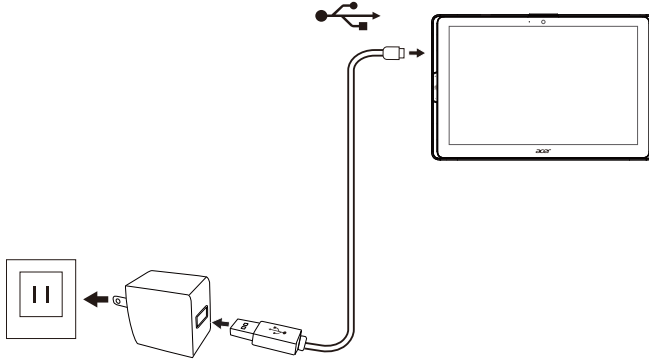
Align arrows on the power adapter head and body. Insert the head onto the power adapter body and turn the head towards "CLOSE" printed on the head until it clicks into place. Simply slide the large end of the USB cable into the power adapter body (it will fit in only one direction).





## Connecting power

Connect the power connector to your tablet and plug the AC adapter into any AC outlet.



### Warning

**Only use an Acer-approved adapter to charge your device.**



### Note

*It is normal for the tablet surface to become warm during charging or long periods of use.*

# CONNECTING DEVICES TO YOUR TABLET

---

## Connecting to AC power

See [Charging your tablet](#) on page 8

## Inserting a microSD card

You may install a microSD card to expand your device's storage space. Ensure that the microSD card is inserted all the way into the card slot.



### Note

*Your tablet only supports microSD cards that use the FAT, FAT32, exFAT, and NTFS file systems.*

To check card capacity, open **Settings > Storage & USB**. Your card's current capacity is listed under *SD card*.

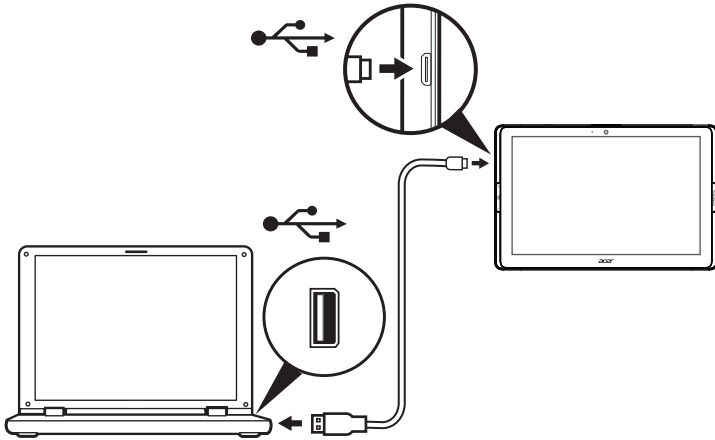
## Transferring files between your tablet and a PC

Your tablet and any connected storage devices can be accessed from a PC with a USB connection.

## Connecting to a PC as a USB storage device

If you wish to transfer information between your device and your computer (either the microSD card in your device or the device's internal memory), you can connect your device to a PC using the supplied USB cable.

1. Plug the USB sync cable into the micro USB connector on your device.
2. Plug the USB client connector into an available USB port on your computer.



Your device will now be available as a drive in your computer's file explorer.

For USB options, swipe down from the top of the screen to display the notification area and tap **USB for file transfer** to choose whether to *Transfer files* (the recommended option) or *Transfer photos (PTP)*.

## Connecting a Bluetooth device

To connect to a Bluetooth device, you must first pair the devices. To do so, do the following:

1. Open **Settings**, then under *Wireless & networks* tap **Bluetooth**.
2. Turn Bluetooth on and the tablet instantly starts scanning for nearby Bluetooth devices.
3. Tap the device you want to connect to and follow any on-screen instructions.

After the initial pairing, you only need to ensure your tablet's Bluetooth is on and the device is on to connect the two. For more information on connecting to another Bluetooth device, see the device's operating instructions.

Only A2DP stereo headsets (playback only, no microphone) are supported.



**Note**

*Please check for updates to the tablet's software which may add support for additional Bluetooth devices (open **Settings** > **About tablet** > **System updates** > **CHECK NOW**).*

## Accessories

For a complete list of accessories, visit [store.acer.com](https://store.acer.com).

# SPECIFICATIONS

---

## Performance

- MTK MT8176 hexa-core processor
    - 2x Cortex A72 2.1 GHz
    - 4x Cortex A53 1.7 GHz
  - System memory:
    - 4 GB of LPDDR3 RAM
    - 64 GB eMMC memory
- Android™ 7.0 (Nougat) operating system

## Display

- 10.1" IPS LCD capacitive multi-touch screen
  - FHD 1920 x 1200 resolution

## Multimedia

- Four built-in speakers
- Subwoofer
- Built-in microphone

## Power

- DC power-in (10 W)

## Connectivity

- 802.11a/b/g/n/ac wireless LAN
- Bluetooth 4.1

## Navigation

- GPS
- GLONASS support

## Camera

- Front camera
  - 2-megapixel
  - 720p HD audio/video recording
- Rear camera
  - 8-megapixel
  - 1080p Full HD audio/video recording

## Expansion

- MicroSD card slot (SDXC, up to 128 GB)
- Micro HDMI port (supports 4K output, 30 fps)

### *USB connector*

- Micro USB port
- OTG support

## Battery

- 22.2 Wh 6000 mAh 3.7 V 2-cell Li-ion battery pack  
Battery life: Up to 8 hours (based on video playback test results)



### **Note**

*Length of battery operation will depend on power consumption which is based on system resource use. For example, constantly using the backlight or using power-demanding apps will shorten battery life between charges.*

## Dimensions

Height	169.2 mm
Width	267.4 mm
Thickness	8.95 mm
Weight	530 g

## Environment

### *Temperature*

Operating: 0° C to 35° C

Non-operating: -20° C to 60° C

### *Humidity (non-condensing)*

Operating: 20% to 80%

Non-operating: 20% to 80%

#### TRADEMARK INFORMATION



For DTS patents, see <http://patents.dts.com>. Manufactured under license from DTS Licensing Limited. DTS, DTS-HD, the Symbol, & DTS or DTS-HD and the Symbol together are registered trademarks, and DTS-HD Premium Sound is a trademark of DTS, Inc. © DTS, Inc. All Rights Reserved.

# GUIDELINES FOR SAFE BATTERY USAGE

---

## Battery information

Do not use this product in a humid, wet and/or corrosive environment. Do not put, store or leave your product in or near a heat source, in a high temperature location, in strong direct sunlight, in a microwave oven or in a pressurized container, and do not expose it to temperatures over 60° C (140° F). Failure to follow these guidelines may cause the battery to leak acid, become hot, explode or ignite and cause injury and/or damage. Do not pierce, open or disassemble the battery. If the battery leaks and you come into contact with the leaked fluids, rinse thoroughly with water and seek medical attention immediately. For safety reasons, and to prolong the lifetime of the battery, charging will not occur at low (below 0° C/32° F) or high (over 45° C/113° F) temperatures.

The full performance of a new battery is achieved only after two or three complete charge and discharge cycles. The battery can be charged and discharged hundreds of times, but it will eventually wear out. When the talk and standby times are noticeably shorter than normal, buy a new battery. Use only manufacturer approved batteries, and recharge your battery only with manufacturer approved chargers designated for this device.

Unplug the charger from the electrical plug and the device when not in use. Do not leave a fully charged battery connected to the AC charger, since overcharging may shorten its lifetime. If left unused, a fully charged battery will lose its charge over time. If the battery is completely discharged, it may take a few minutes before the charging indicator appears on the display or before any calls can be made.

Use the battery only for its intended purpose. Never use any charger or battery that is damaged.

Do not short-circuit the battery. Accidental shortcircuiting can occur when a metallic object such as a coin, clip, or pen causes direct connection of the positive (+) and negative (-) terminals of the battery.



These look like metal strips on the battery. This might happen, for example, when you carry a spare battery in your pocket or purse. Short-circuiting the terminals may damage the battery or the connecting object.

Leaving the battery in hot or cold places, such as in a closed car in summer or winter conditions, will reduce the capacity and lifetime of the battery. Always try to keep the battery between 15° C and 25° C (59° F and 77° F). A device with a hot or cold battery may not work temporarily, even when the battery is fully charged. Battery performance is particularly limited in temperatures well below freezing.

Do not dispose of batteries in a fire as they may explode. Batteries may also explode if damaged. Dispose of batteries according to local regulations. Please recycle when possible. Do not dispose as household waste.

## Replacing the battery

Replace the battery with the same type as that which came bundled with your product. Use of another battery may present a risk of fire or explosion.



### **Warning**

**Batteries may explode if not handled properly. Do not disassemble or dispose of them in fire. Keep them away from children. Follow local regulations when disposing of used batteries.**