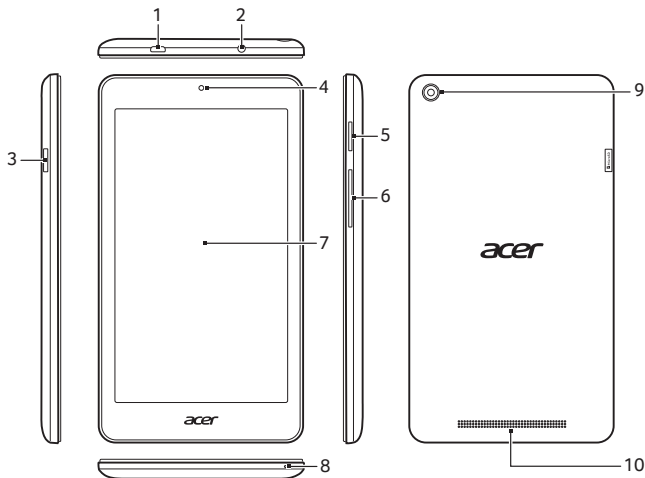
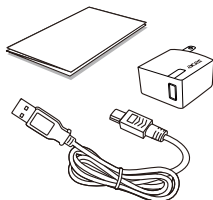


Product overview

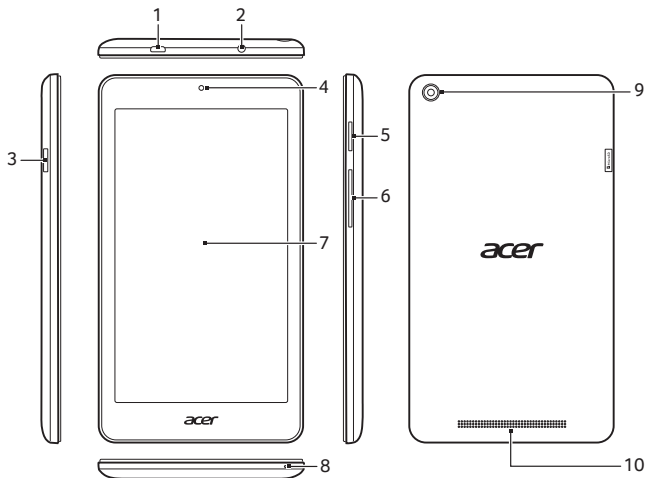


1. Micro USB port
2. Audio jack
3. microSD card slot
4. Front camera
5. Power button
6. Volume button
7. Touchscreen
8. Microphone
9. Rear camera
10. Speakers

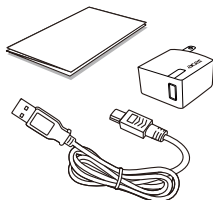


* Components may vary.

Product overview

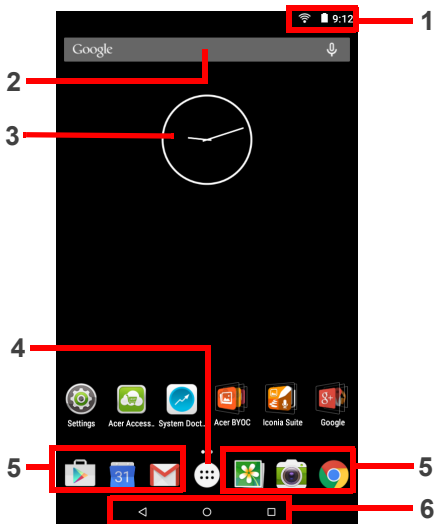


1. Micro USB port
2. Audio jack
3. microSD card slot
4. Front camera
5. Power button
6. Volume button
7. Touchscreen
8. Microphone
9. Rear camera
10. Speakers



* Components may vary.

Home screen



Note: Your tablet may have a different wallpaper to the one shown.

1. Notification bar
2. Search
3. Widgets
4. Application menu (also known as "Apps")
5. App shortcuts
6. Navigation (Back, Home, Recent)

Getting started

Using your tablet

1. Connect the power adapter
Charge your tablet for at least four hours.

Note: *It is normal for the device surface to become warm during charging or long periods of use.*

2. Press the power button
Hold until you see the Acer logo.

Connecting to the Internet via Wi-Fi

To connect to a Wi-Fi network, tap the **Application** menu (☰), then tap **Settings** (⚙️). Under *Wireless & networks*, tap **Wi-Fi** and ensure it is set to **On**. Tap a wireless network; if necessary enter a security password to access the network.

How to register

To register your Acer product, visit our website at registration.acer.com.

After we receive your product registration, you will be sent a confirmation email with important data that you should keep in a safe place.

Your tablet's User's Manual

To download the User's Manual, go to www.acer.com and click **Support** > **DRIVERS AND MANUALS**. Select the

appropriate items from **Group** > **Series** > **Products**. In the *Documents* tab, click **Download** next to the User's Manual.

Connecting a Bluetooth device

To connect to a bluetooth device, tap the **Application** menu (☰), then tap **Settings** (⚙️). Under *Wireless & networks*, tap **Bluetooth** and ensure it is set to **On**. Your device automatically scans for available Bluetooth devices; tap an available device to connect.

Note: *A2DP stereo headsets are supported for playback only. Please check for updates to the tablet's software that may add support for additional Bluetooth devices.*

Restoring to factory settings

Tap the **Application** menu (☰), then tap **Settings** (⚙️). Tap **Backup & reset** > **Factory data reset**; tap **RESET TABLET** and then **ERASE EVERYTHING** to format your tablet.

Updating your tablet's operating system

To check for updates, tap the **Application** menu (☰), then tap **Settings** (⚙️). Tap **About tablet** > **System updates** > **CHECK FOR UPDATE**.

Acer Iconia Suite

Iconia Suite is a set of creativity and touch tools offering intuitive ways to simplify your tasks with touch gestures and quick access icons. Whether you want to take notes, call up handy gadgets, or multitask, Iconia Suite is optimized for tablets to save you time and do more.



EZ Note

EZ Note enables you to create notes and capture thoughts within virtual notebooks. For example, use EZ Note to quickly jot down meeting minutes, class notes, or even sketch ideas. Choose between different types of writing instruments and add audio recordings, photos, and bookmarks to your notes. Upload your notebooks to Google Drive or share them through various apps.



EZ Snap

Take a screenshot fast and intuitively with a three-finger pinch. Then, share your screenshot through various apps or crop a specific section with freehand capture.



EZ WakeUp

Wake up the device with a one-touch gesture and loads the user's pre-selected app.



EZ Gadget

Multitask faster and easier with a movable and resizable pop-up window featuring a calendar, browser, calculator, and text memo. EZ Gadget appears on top of your most recent task when you long press the *Recent apps* icon.

Safety and comfort

SAFETY INSTRUCTIONS

Read these instructions carefully. Keep this document for future reference. Follow all warnings and instructions marked on the product.

Turning the product off before cleaning

Unplug this product from the wall outlet before cleaning. Do not use liquid cleaners or aerosol cleaners. Use a damp cloth for cleaning.

WARNINGS

Accessing the power plug

Be sure that the power outlet you plug the power cord into is easily accessible and located as close to the equipment operator as possible. When you need to disconnect power to the equipment, be sure to unplug the power plug from the electrical outlet. Mark the power plug is fixed at right position with the adaptor before plugging to the socket on the wall.

Input rating: Refer to the rating label on the bottom of the computer and ensure that your power adapter complies with the specified rating.

Under no circumstances should the user attempt to disassemble the power supply. The power supply has no user-replaceable parts. Inside the power supply are hazardous voltages that can cause serious personal injury. A defective power supply must be returned to your dealer.

Using electrical power

- If an extension cord is used with this product, make sure that the total ampere rating of the equipment plugged into the extension cord does not exceed the extension cord ampere rating. Also, make sure that the total rating of all products plugged into the extension cord does not exceed the fuse rating.
- Do not overload a power outlet, strip or receptacle by plugging in too many devices. The overall system load must not exceed 80% of the branch circuit rating. If power strips are used, the load should not exceed 80% of the power strip's input rating.

General

- Do not use this product near water.
- Do not place this product on an unstable cart, stand or table. If the product falls, it could be seriously damaged.
- Slots and openings are provided for ventilation to ensure reliable operation of the product and to protect it from overheating. These openings must not be blocked or covered. The openings should never be blocked by placing the product on a bed, sofa, rug or other similar surface. This product should never be placed near or over a radiator or heat register, or in a built-in installation unless proper ventilation is provided.
- Never push objects of any kind into this product through cabinet slots as they may touch dangerous voltage points or shortout parts that could result in a fire or electric shock. Never spill liquid of any kind into the product.
- To avoid damage of internal components and to prevent battery leakage, do not place the product on a vibrating surface.
- Your device and its enhancements may contain small parts. Keep them out of the reach of small children.

Product servicing

Do not attempt to service this product yourself, as opening or removing covers may expose you to dangerous voltage points or other risks. Refer all servicing to qualified service personnel.

- Unplug this product from the wall outlet and refer servicing to qualified service personnel when:
- The power cord or plug is damaged, cut or frayed.
 - Liquid was spilled into the product.
 - The product was exposed to rain or water.
 - The product has been dropped or the case has been damaged.
 - The product exhibits a distinct change in performance, indicating a need for service.
 - The product does not operate normally after following the operating instructions.
- Note:** Adjust only those controls that are covered by the operating instructions, since improper adjustment of other controls may result in damage and will often require extensive work by a qualified technician to restore the product to normal condition.

DISPOSAL INSTRUCTIONS

Do not throw this electronic device into the trash when discarding. To minimize pollution and ensure utmost protection of the global environment, please recycle. For more information on the Waste from Electrical and Electronic Equipment (WEEE) regulations, visit www.acer-group.com/public/Sustainability/sustainability01.htm



REGULATORY INFORMATION

CAUTION when listening

- To protect your hearing, follow these instructions.
- Increase the volume gradually until you can hear clearly and comfortably.
 - Do not increase the volume level after your ears have adjusted.
 - Do not listen to music at high volumes for extended periods.
 - Do not increase the volume to block out noisy surroundings.
 - Decrease the volume if you can't hear people speaking near you.



Prevention of hearing loss

Caution: Permanent hearing loss may occur if earphones or headphones are used at high volume for prolonged periods of time.

This device has been tested to comply with the Sound Pressure Level requirements laid down in the applicable EN 50332-1 and/or EN 50332-2 standard.



Note: For France, mobile headphones or earphones for this device have been tested to comply with the Sound Pressure requirement laid down in the applicable NF EN 50332-1:2000 and/or NF EN 50332-2:2003 standards as required by French Article L. 5232-1.

WIRELESS ADAPTER REGULATORY INFORMATION

Use On Aircraft Caution

Caution: Regulations of the FCC and FAA prohibit airborne operation of radio-frequency wireless devices (wireless adapters) because their signals could interfere with critical in-flight aircraft instruments.

The Wireless Adapter and Your Health

The wireless adapter, like other radio devices, emits radio frequency electromagnetic energy. The level of energy emitted by the wireless adapter, however, is less than the electromagnetic energy emitted by other wireless devices such as mobile phones. The wireless adapter operates within the guidelines found in radio frequency safety standards and recommendations.

These standards and recommendations reflect the consensus of the scientific community and result from deliberations of panels and committees of scientists who continually review and interpret the extensive research literature. In some situations or environments, the use of the wireless adapter may be restricted by the proprietor of the building or responsible representatives of the applicable organization.

Examples of such situations may include:

- Using the wireless adapter on board airplanes, or
 - Using the wireless adapter in any other environment where the risk of interference with other devices or services is perceived or identified as being harmful.
- If you are uncertain of the policy that applies to the use of wireless adapters in a specific organization or environment (an airport, for example), you are encouraged to ask for authorization to use the adapter before you turn it on.

USA—FCC and FAA

The FCC with its action in ET Docket 96-8 has adopted a safety standard for human exposure to radio frequency (RF) electromagnetic energy emitted by FCC certified equipment. The wireless adapter meets the Human Exposure limits found in OET Bulletin 65, supplement C, 2001, and ANSI/IEEE C95.1, 1992. Proper operation of this radio according to the instructions found in this manual will result in exposure substantially below the FCC's recommended limits.

The following safety precautions should be observed:

- Do not touch or move antenna while transmitting or receiving.
- Do not hold any component containing the radio such that the antenna is very close or touching anyexposed parts of the body, especially the face or eyes, while transmitting.
- Do not operate the radio or attempt to transmit data unless the antenna is connected; this behavior may cause damage to the radio.
- Use in specific environments:
- The use of wireless adapters in hazardous locations is limited by the constraints posed by the safety directives of such environments.
- The use of wireless adapters on airplanes is governed by the Federal Aviation Administration (FAA).
- The use of wireless adapters in hospitals is restricted to the limits set forth by each hospital.

The product comply with the FCC portable RF exposure limit set forth for an uncontrolled environment and are safe for intended operation as described in this manual. The further RF exposure reduction can be achieved if the product can be kept as far as possible from the user body or set the device to lower output power if such function is available.

Explosive device proximity warning

Warning: Do not operate a portable transmitter (including this wireless adapter) near unshielded blasting caps or in an explosive environment unless the transmitter has been modified to be qualified for such use.

Interference statement

This equipment has been tested and found to comply with the limits for a Class B digital device, pursuant to Part 15 of the FCC Rules. These limits are designed to provide reasonable protection against harmful interference in a residential installation. This

equipment generates, uses, and can radiate radio frequency energy. If the equipment is not installed and used in accordance with the instructions, the equipment may cause harmful interference to radio communications. There is no guarantee, however, that such interference will not occur in a particular installation. If this equipment does cause harmful interference to radio or television reception (which can be determined by turning the equipment off and on), the user is encouraged to try to correct the interference by taking one or more of the following measures:

- Reorient or relocate the receiving antenna of the equipment experiencing the interference.
 - Increase the distance between the wireless adapter and the equipment causing the interference.
 - Connect the computer with the wireless adapter to an outlet on a circuit different from that to which the equipment experiencing the interference is connected.
 - Consult the dealer or an experienced radio/TV technician for help.
- Caution:** Changes or modifications not expressly approved by the party responsible for compliance could void the user's authority to operate the equipment.

FCC RF exposure information (SAR)

This device meets the government's requirements for exposure to radio waves. This device is designed and manufactured not to exceed the emission limits for exposure to radio frequency (RF) energy set by the Federal Communications Commission of the U.S. Government.

The exposure standard for wireless devices employs a unit of measurement known as the Specific Absorption Rate, or SAR. The SAR limit set by the FCC is 1.6 W/kg. Tests for SAR are conducted using standard operating positions accepted by the FCC with the device transmitting at its highest certified power level in all tested frequency bands. Although the SAR is determined at the highest certified power level, the actual SAR level of the product while operating can be well below the maximum value. This is because the device is designed to operate at multiple power levels so as to use only the power required to reach the network. In general, the closer you are to a wireless base station antenna, the lower the power is used. While there may be differences between the SAR levels of various devices and at various positions, they all meet the government requirement. The FCC has granted an Equipment Authorization for this device with all reported SAR levels evaluated as in compliance with the FCC RF exposure guidelines. SAR information on this device is on file with the FCC and can be found under the Display Grant section of www.fcc.gov/etef/accid after searching on FCC ID for your device.

Canada – Industry Canada (IC)

This device complies with RSS210 of Industry Canada. Cet appareil se conforme à RSS210 du Canada d'Industrie.

This device complies with Industry Canada license-exempt RSS standard(s). Operation is subject to the following two conditions: (1) this device may not cause interference, and (2) this device must accept any interference, including interference that may cause the operation of the device to cease. Ce dispositif est conforme à la norme CNR-210 d'Industrie Canada applicable aux appareils radio exempts de licence. Son fonctionnement est sujet aux deux conditions suivantes: (1) le dispositif ne doit pas produire de brouillage préjudiciable, et (2) ce dispositif doit accepter tout brouillage reçu, y compris un brouillage susceptible de provoquer un fonctionnement indésirable.

- Radiation Exposure Statement:

The product comply with the Canada portable RF exposure limit set forth for an uncontrolled environment and are safe for intended operation as described in this manual.

The further RF exposure reduction can be achieved if the product can be kept as far as possible from the user body or set the device to lowest output power if such function is available on this device.

Déclaration d'exposition aux radiations : Le produit est conforme aux limites d'exposition pour les appareils portables RF pour les Etats-Unis et le Canada établies pour un environnement non contrôlé.

Le produit est sûr pour un fonctionnement tel que décrit dans ce manuel. La réduction aux expositions RF peut être augmentée si l'appareil peut être conservé aussi loin que possible du corps de l'utilisateur ou que le dispositif est réglé sur la puissance de sortie la plus faible si une telle fonction est disponible.

This ICES B2 digital apparatus complies with Canadian ICES-003. Cet appareil numérique de la classe B se conforme à la norme NMB-003 du Canada.

To prevent radio interference to the licensed service, this device is intended to be operated indoors and away from windows to provide maximum shielding. Equipment (or transmit antenna) that is installed outdoors is subject to the following conditions:
• Pour empêcher que cet appareil cause du brouillage au service faisant l'objet d'une licence, il doit être utilisé à l'intérieur et devrait être placé loin des fenêtres afin de fournir

un écran de blindage maximal. Si le matériel (ou son antenne d'émission) est installé à l'extérieur, il doit faire l'objet d'une licence. »

Exposure of humans to RF fields (RSS-102)

The computers employ low gain integral antennas that do not emit RF field in excess of Health Canada limits for the general population, consult Safety Code 6, obtainable from Health Canada's Web site at <http://www.hc-sc.gc.ca>. The radiated energy from the antennas connected to the wireless adapters conforms to the IC limit of the RF exposure requirement regarding IC RSS-102, Issue 4 clause 4.1. SAR tests are conducted using recommended operating positions accepted by the FCC. RSS with the device transmitting at its highest certified power level in all tested frequency band without distance attaching away from the body. Non-compliance with the above restrictions may result in violation of FCC RF exposure guidelines.

Conformité des appareils de radiocommunication aux limites d'exposition humaine aux radiofréquences (CNR-102)

L'ordinateur utilise des antennes intégrales à faible gain qui n'émettent pas un champ électromagnétique supérieur aux normes imposées par Santé Canada pour la population. Consultez le Code de sécurité 6 sur le site Internet de Santé Canada à l'adresse suivante : <http://www.hc-sc.gc.ca>

L'énergie émise par les antennes connectées aux cartes sans fil respecte la limite d'exposition aux radiofréquences telle que définie par Industrie Canada dans la clause 4.1 du document CNR-102, version 4.

Tests DAS sont effectués en utilisant les positions recommandées par la FCC/CNR avec le dispositif portable à la puissance certifiée maximale dans tous les bandes de fréquences testées sans distance attaché loin du corps. Non-respect des restrictions ci-dessus peut entraîner une violation des directives de la FCC/CNR.

Brazil

Este equipamento opera em caráter secundário, isto é, não tem direito a proteção contra interferência prejudicial, mesmo de estações do mesmo tipo, e não pode causar interferência a sistemas operando em caráter primário.

Mexico

Cofelet notice is:

"La operación de este equipo esta sujeta a las siguientes dos condiciones: (1) es posible que este equipo o dispositivo no cause interferencia perjudicial y (2) este equipo o dispositivo debe aceptar cualquier interferencia, incluyendo la que pueda causar su operación no deseada."

SAR information

RF exposure information (SAR)

This device meets the EU requirements (1999/519/EC) on the limitation of exposure of the general public to electromagnetic fields as part of health protection. The limits are part of extensive recommendations for the protection of the general public. These recommendations have been developed and checked by independent scientific organizations through regular and thorough evaluations of scientific studies. To guarantee the safety of all persons, regardless of age and health, the limits include a significant safety buffer. Before radio devices can be put in circulation, their agreement with European laws or limits must be confirmed; only then may the CE symbol be applied.

The unit of measurement for the European Council's recommended limit for mobile devices is the "Specific Absorption Rate" (SAR). This SAR limit is 2.0 W/kg, averaged over 10 g of body tissue. It meets the requirements of the International Commission on Non-Ionizing Radiation Protection (ICNIRP). The maximum SAR value is calculated at the highest output level in all frequency bands of the mobile device. The highest SAR value reported under this standard during product certification for use of the device at a distance of 0 cm from the body.

During use, the actual SAR level is usually much lower than the maximum value, because the mobile device works in different output levels. It only transmits with as much output as is required to reach the network. In general the following applies: The closer you are to a base station, the lower the transmission output of your mobile device.

Environment

Temperature

- Operating: 0 °C to 35 °C
 - Non-operating: -20 °C to 60 °C
- Humidity (non-condensing)
- Operating: 20% to 80%
 - Non-operating: 20% to 80%



Third Party Software or Free Software

License Information

Software pre-loaded, embedded or otherwise distributed with the products provided by Acer does contain free or third party software programs (the "Free Software"), which are licensed under the terms GNU General Public License (the "GPL"). The Free Software is marked as such. Your copying, distribution and/or modification of the Free Software shall be subject to the terms of the GPL.

The Free Software is distributed in the hope that it will be useful, but WITHOUT ANY WARRANTY; without even the implied warranty of MERCHANTABILITY or FITNESS FOR A PARTICULAR PURPOSE. The provisions of the GNU General Public License shall always apply. You may visit www.gnu.org to obtain a copy of the GPL or write to the Free Software Foundation, Inc. for asking a copy. The Address of the Free Software Foundation, Inc. is: 59 Temple Place - Suite 330, Boston, MA, 20111-1207, USA.

For a period of three (3) years, commencing from your receipt of this software, you may obtain a complete machine-readable copy of the source code for the Free Software under the terms of the GPL without charge for the cost of media, shipping, and handling, upon written request to us.

Contact us if you have any further questions. Our mailing address is: Acer Inc., 88F, #88 Xintai 5th Rd., Sec. 1, Xizhi district, New Taipei City 221, Taiwan, R.O.C. or visit www.acer.com.



acer
Acer America Corporation
333 West San Carlos St.,
Suite 1900
San Jose, CA 95110
U.S.A
Tel: 1-254-298-4000
Fax: 1-254-298-4147
www.acer.com

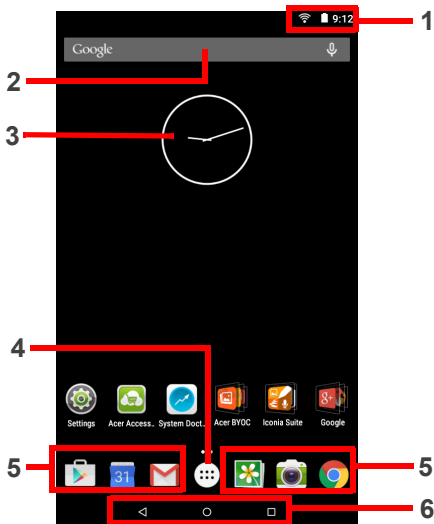
Federal Communications Commission Declaration of Conformity

This device complies with Part 15 of the FCC Rules. Operation is subject to the following two conditions: (1) this device may not cause harmful interference, and (2) this device must accept any interference received, including interference that may cause undesired operation.

The following local Manufacturer / Importer is responsible for this declaration:

Product:	Tablet computer
Brand:	Acer
Regulatory model number	A5004
Sku name	B1-760xxx; ("X" means "0-9", "a-z", "A-Z", "-" or blank)
Name of responsible party:	Acer America Corporation
Address of responsible party:	333 West San Carlos St., Suite 1500 San Jose, CA 95110, U. S. A.
Contact person:	Acer Representative
Phone no.:	1-254-298-4000
Fax no.:	1-254-298-4147
June 18, 2015	

Home screen



Note: Your tablet may have a different wallpaper to the one shown.

1. Notification bar
2. Search
3. Widgets
4. Application menu (also known as "Apps")
5. App shortcuts
6. Navigation (Back, Home, Recent)

Getting started

Using your tablet

1. Connect the power adapter
Charge your tablet for at least four hours.

Note: *It is normal for the device surface to become warm during charging or long periods of use.*

2. Press the power button
Hold until you see the Acer logo.

Connecting to the Internet via Wi-Fi

To connect to a Wi-Fi network, tap the **Application** menu (☰), then tap **Settings** (⚙️). Under *Wireless & networks*, tap **Wi-Fi** and ensure it is set to **On**. Tap a wireless network; if necessary enter a security password to access the network.

How to register

To register your Acer product, visit our website at registration.acer.com.

After we receive your product registration, you will be sent a confirmation email with important data that you should keep in a safe place.

Your tablet's User's Manual

To download the User's Manual, go to www.acer.com and click **Support** > **DRIVERS AND MANUALS**. Select the

appropriate items from **Group** > **Series** > **Products**. In the *Documents* tab, click **Download** next to the User's Manual.

Connecting a Bluetooth device

To connect to a bluetooth device, tap the **Application** menu (☰), then tap **Settings** (⚙️). Under *Wireless & networks*, tap **Bluetooth** and ensure it is set to **On**. Your device automatically scans for available Bluetooth devices; tap an available device to connect.

Note: *A2DP stereo headsets are supported for playback only. Please check for updates to the tablet's software that may add support for additional Bluetooth devices.*

Restoring to factory settings

Tap the **Application** menu (☰), then tap **Settings** (⚙️). Tap **Backup & reset** > **Factory data reset**; tap **RESET TABLET** and then **ERASE EVERYTHING** to format your tablet.

Updating your tablet's operating system

To check for updates, tap the **Application** menu (☰), then tap **Settings** (⚙️). Tap **About tablet** > **System updates** > **CHECK FOR UPDATE**.

Acer Iconia Suite

Iconia Suite is a set of creativity and touch tools offering intuitive ways to simplify your tasks with touch gestures and quick access icons. Whether you want to take notes, call up handy gadgets, or multitask, Iconia Suite is optimized for tablets to save you time and do more.



EZ Note

EZ Note enables you to create notes and capture thoughts within virtual notebooks. For example, use EZ Note to quickly jot down meeting minutes, class notes, or even sketch ideas. Choose between different types of writing instruments and add audio recordings, photos, and bookmarks to your notes. Upload your notebooks to Google Drive or share them through various apps.



EZ Snap

Take a screenshot fast and intuitively with a three-finger pinch. Then, share your screenshot through various apps or crop a specific section with freehand capture.



EZ WakeUp

Wake up the device with a one-touch gesture and loads the user's pre-selected app.



EZ Gadget

Multitask faster and easier with a movable and resizable pop-up window featuring a calendar, browser, calculator, and text memo. EZ Gadget appears on top of your most recent task when you long press the *Recent apps* icon.

Safety and comfort

SAFETY INSTRUCTIONS

Read these instructions carefully. Keep this document for future reference. Follow all warnings and instructions marked on the product.

Turning the product off before cleaning

Unplug this product from the wall outlet before cleaning. Do not use liquid cleaners or aerosol cleaners. Use a damp cloth for cleaning.

WARNINGS

Accessing the power plug

Be sure that the power outlet you plug the power cord into is easily accessible and located as close to the equipment operator as possible. When you need to disconnect power to the equipment, be sure to unplug the power plug from the electrical outlet. Mark sure the power plug is fixed at right position with the adaptor before plugging to the socket on the wall.

Input rating: Refer to the rating label on the bottom of the computer and ensure that your power adapter complies with the specified rating.

Under no circumstances should the user attempt to disassemble the power supply. The power supply has no user-replaceable parts. Inside the power supply are hazardous voltages that can cause serious personal injury. A defective power supply must be returned to your dealer.

Using electrical power

- If an extension cord is used with this product, make sure that the total ampere rating of the equipment plugged into the extension cord does not exceed the extension cord ampere rating. Also, make sure that the total rating of all products plugged into the power outlet does not exceed the fuse rating.
- Do not overloading a power outlet, strip or receptacle by plugging in too many devices. The overall system load must not exceed 80% of the branch circuit rating. If power strips are used, the load should not exceed 80% of the power strip's input rating.

General

- Do not use this product near water.
- Do not place this product on an unstable cart, stand or table. If the product falls, it could be seriously damaged.
- Slots and openings are provided for ventilation to ensure reliable operation of the product and to protect it from overheating. These openings must not be blocked or covered. The openings should never be blocked by placing the product on a bed, sofa, rug or other similar surface. This product should never be placed near a fan or radiator or heat register, or in a built-in installation unless proper ventilation is provided.
- Never push objects of any kind into this product through cabinet slots as they may touch dangerous voltage points or shortout parts that could result in a fire or electric shock. Never spill liquid of any kind on the product.
- To avoid damage of internal components and to prevent battery leakage, do not place the product on a vibrating surface.
- Your device and its enhancements may contain small parts. Keep them out of the reach of small children.

Product servicing

Do not attempt to service this product yourself, as opening or removing covers may expose you to dangerous voltage points or other risks. Refer all servicing to qualified service personnel.

- Unplug this product from the wall outlet and refer servicing to qualified service personnel when:
- The power cord or plug is damaged, cut or frayed.
 - Liquid was spilled into the product.
 - The product was exposed to rain or water.
 - The product has been dropped or the case has been damaged.
 - The product exhibits a distinct change in performance, indicating a need for service.
 - The product does not operate normally after following the operating instructions.

Note: Adjust only those controls that are covered by the operating instructions, since improper adjustment of other controls may result in damage and will often require extensive work by a qualified technician to restore the product to normal condition.

DISPOSAL INSTRUCTIONS

Do not throw this electronic device into the trash when discarding. To minimize pollution and ensure utmost protection of the global environment, please recycle. For more information on the Waste from Electrical and Electronics Equipment (WEEE) regulations, visit www.acer-group.com/public/Sustainability/sustainability01.htm



REGULATORY INFORMATION

CAUTION when listening

- To protect your hearing, follow these instructions.
- Increase the volume gradually until you can hear clearly and comfortably.
 - Do not increase the volume level after your ears have adjusted.
 - Do not listen to music at high volumes for extended periods.
 - Do not increase the volume to block out noisy surroundings.
 - Decrease the volume if you can't hear people speaking near you.



Prevention of hearing loss

Caution: Permanent hearing loss may occur if earphones or headphones are used at high volume for prolonged periods of time.

This device has been tested to comply with the Sound Pressure Level requirement laid down in the applicable EN 50332-1 and/or EN 50332-2 standards.



Note: For France, mobile headphones or earphones for this device have been tested to comply with the Sound Pressure requirement laid down in the applicable NF EN 50332-1:2000 and/or NF EN 50332-2:2003 standards as required by French Article L. 5232-1.

WIRELESS ADAPTER REGULATORY INFORMATION

Use on aircraft

Caution: FCC and FAA regulations prohibit airborne operation of radiofrequency wireless devices (wireless adapters) because their signals could interfere with critical interference with critical aircraft instruments.

The Wireless Adapter and Your Health

The wireless adapter, like other radio devices, emits radio frequency electromagnetic energy. The level of energy emitted by the wireless adapter, however, is less than the electromagnetic energy emitted by other wireless devices such as mobile phones. The wireless adapter operates within the guidelines found in radio frequency safety standards and recommendations.

These standards and recommendations reflect the consensus of the scientific community and result from deliberations of panels and committees of scientists who continually review and interpret the extensive research literature. In some situations or environments, the use of the wireless adapter may be restricted by the proprietor and/or user of the facility or representative agencies of the applicable organization. Examples of such situations may include:

- Using the wireless adapter on board airplanes, or
- Using the wireless adapter in any other environment where the risk of interference with other devices or services is perceived or identified as being harmful. If you are uncertain of the policy that applies to the use of wireless adapters in a specific organization or environment (an airport, for example), you are encouraged to ask for authorization to use the adapter before you turn it on.

European Union

List of applicable countries

This product must be used in strict accordance with the regulations and constraints in the country of use. For further information, contact the local office in the country of use. Please see <http://ec.europa.eu/enterprise/rte/mplem.htm> for the latest country list.

List of National Codes

THIS EQUIPMENT MAY BE OPERATED IN THE FOLLOWING COUNTRIES:

Country	ISO 3166 2 letter code	Country	ISO 3166 2 letter code	Country	ISO 3166 2 letter code
Austria	AT	Ireland	IE	Spain	ES
Belgium	BE	Italy	IT	Sweden	SE
Cyprus	CY	Latvia	LV	United Kingdom	GB
Czech Republic	CZ	Lithuania	LT	Iceland	IS
Denmark	DK	Luxembourg	LU	Liechtenstein	LI
Estonia	EE	Malta	MT	Norway	NO
Finland	FI	Netherlands	NL	Switzerland	CH
France	FR	Poland	PL	Bulgaria	BG
Germany	DE	Portugal	PT	Romania	RO
Greece	GR	Slovakia	SK	Turkey	TR
Hungary	HU	Slovenia	SI		

This equipment complies with the essential requirements of the European Union directive 1999/5/EC. See Statements of European Union Compliance, and more details refer to the attached Declaration of Conformity.

English	Hereby, ACER INC., declares that this Tablet is in compliance with the essential requirements and other relevant provisions of Directive 1999/5/EC.
Česky (Czech)	ACER INC. tímto prohlašuje, že tento Tablet je ve shodě se základními požadavky a dalšími příslušnými ustanoveními směrnice 1999/5/ES.
Dansk (Danish)	Undertegnede ACER INC. erklærer herved, at følgende NTablet overholder de væsentlige krav og øvrige relevante krav i direktiv 1999/5/EF.
Deutsch (German)	Hiermit erklart ACER INC., dass sich der Tablet in Übereinstimmung mit den grundlegenden Anforderungen und den übrigen einschlägigen Bestimmungen der Richtlinie 1999/5/EG befindet.
Eesti (Estonian)	Käesolevaga kinnitab ACER INC. seadme Tablet vastavust direktiivi 1999/5/EÜ põhinõuetele ja nimetatud direktiivist tulenevatele teistele asjakohastele sätetele.
Español (Spanish)	Por la presente ACER INC. declara que este Tablet cumple con los requisitos esenciales y con cualquier otra disposición aplicable conforme a la Directiva 1999/5/CE.
Ελληνικά (Greek)	Δια του παρόντος η ACER INC. δηλώνει ότι ο συσκευή Tablet συμμορφώνεται προς τις ουσιαστικές απαιτήσεις και τις λοιπές διατάξεις της Οδηγίας 1999/5/ΕΚ.
Français (French)	Par la présente ACER INC. déclare que l'appareil Tablet est conforme aux exigences essentielles et aux autres dispositions pertinentes de la directive 1999/5/CE.
Islenska (Icelandic)	Hér með lýsir ACER INC. yfir því að Tablet er í samræmi við ástæðulega og aðrar kröfur, sem gerða er til í tilskipun 1999/5/EC.
Italiano (Italian)	Con la presente ACER INC. dichiara che questa Tablet è conforme ai requisiti essenziali ed alle altre disposizioni pertinenti stabilite dalla direttiva 1999/5/CE.
Latviski (Latvian)	Ar šo ACER INC. deklarā, ka Tablet atbilst Direktīvas 1999/5/EK būtiskajām prasībām un citiem ar tās ietvaros noteiktiem.
Lietuviai (Lithuanian)	Šiuo ACER INC. deklaruojame, kad šis Tablet atitinka esminius reikalavimus ir kitas 1999/5/EB Direktivos nuostatas.
Malta (Maltese)	Hawnhekk, ACER INC. jiddekkari li dan TabletC jikkonforma mal-bijgiet essenzjali u ma proviedimient oħrajn rilevanti li hemm fid-Direttiva 1999/5/EC.
Magyar (Hungarian)	Alulírott, ACER INC. nyilatkozik, hogy a Tablet megfelel a vonatkozó alapvető követelményeknek és az 1999/5/EC irányelv egyéb előírásainak.
Nederlands (Dutch)	Hierbij verklaart ACER INC. dat het toestel Tablet in overeenstemming is met de essentiële eisen en de andere relevante bepalingen van richtlijn 1999/5/EG.
Norsk (Norwegian)	ACER INC. erklærer herved at utstyret Tablet er i samsvar med de grunnleggende krav og øvrige relevante krav i direktiv 1999/5/EF.
Polski (Polish)	Niniejszym ACER INC. oświadczam, że Tablet jest zgodny z zasadniczymi wymogami oraz pozostałymi stosownymi postanowieniami Dyrektywy 1999/5/EC.
Português (Portuguese)	ACER INC. declara que este Tablet está conforme com os requisitos essenciais e outras disposições da Directiva 1999/5/CE.
Slovensko (Slovenian)	ACER INC. izjavlja, da je ta Tablet skladen z bistvenimi zahtevami in ostalin relevantnimi določili Direktive 1999/5/ES.
Slovensky (Slovak)	ACER INC. týmto vyhlasuje, že Tablet spĺňa základné požiadavky a všetky príslušné ustanovenia Smernice 1999/5/ES.
Suomi (Finnish)	ACER INC. vakuuttaa täten että Tablet täyttää kaikki sen direktiivin 1999/5/EY oleellisten vaatimusten ja sitä koskevien direktiivin muuten esittämien mukainen.
Svenska (Swedish)	Härmed intygar ACER INC. att denna TabletC står i överensstämmelse med de väsentliga egenskapskrav och övriga relevanta bestämmelser som framgår av direktiv 1999/5/EG.

France

Products with 2.4 GHz wireless LAN devices

For 2.4 GHz wireless LAN operation of this product, certain restrictions apply. This equipment may use the 2400 MHz to 2483.5 MHz frequency band (channels 1 through 13) for indoor applications. For outdoor use, only 2400 - 2454 MHz frequency band may be used. For the latest requirements, see www.art-telecom.fr.

Italy

- The use of these equipments is regulated by:
1. D.L.gs 1.8.2003, n. 259, article 104 (activity subject to general authorization) for outdoor use and article 105 (free use) for indoor use, in both cases for private use.
 2. D.M. 28.5.03, for supply to public of RLAN access to networks and telecom services.

Belgium

Dans le cas d'une utilisation privée, à l'extérieur d'un bâtiment, au-dessus d'un espace public, ou enregistrement n'est nécessaire pour une distance de moins de 300m. Pour une distance supérieure à 300m un enregistrement auprès de l'IBPT est requis. Pour les enregistrements et licences, veuillez contacter l'IBPT. In geval van privé-gebruik, buiten een gebouw, op een openbare plaats, is geen registratie nodig, wanneer de afstand minder dan 300m is. Voor een afstand groter dan 300m is een registratie bij BIPT vereist. Voor registraties en licenties, gelieve BIPT te contacteren.

Pakistan

Pakistan Telecommunication Authority (PTA) Approved

Morocco

The operation of this product in the radio channel 2 (2417 MHz) is not authorized in the following cities: Agadir, Assa-Zag, Cabo Negro, Chaouen, Goulimina, Oujda, Tan Tan, Tazouit, Taroudant and Taza. The operation of this product in the radio channels 4, 5, 6 and 7 (2425 - 2442 MHz) is not authorized in the following cities: Aéroport Mohamed V, Agadir, Aguelmous, Anza, Benslimane, Béni Hafida, Cabo Negro, Casablanca, Fes, Lakkab, Marrakech, Merchich, Mohammedia, Rabat, Sale, Tanger, Tan Tan, Taounate, Tit Mellil, Zag.

MODIFICATIONS TO THE PRODUCT

Under circumstances should the user attempt to disassemble the power supply. The power supply has no user-replaceable parts. Inside the power supply are hazardous voltages that can cause serious personal injury. A defective power supply must be returned to your dealer.

Heat Build-up and Portable Computers

The AC adapter and the underside of the computer can become hot after prolonged use.

Sustained physical contact with either should be avoided.

COMPLIANT WITH RUSSIAN REGULATORY CERTIFICATION

SAR information

RF exposure information (SAR)
This device meets the EU requirements (1999/519/EC) on the limitation of exposure of the general public to electromagnetic fields by way of health protection. The limits are part of extensive recommendations for the protection of the general public. These recommendations have been developed and checked by independent scientific organizations through regular and thorough evaluations of scientific studies. To guarantee the safety of all persons, regardless of age and health, the limits include a significant safety buffer.

Before radio devices can be put in circulation, their agreement with European laws or limits must be confirmed; only then may the CE symbol be applied.

The unit of measurement for the European Council's recommended limit for mobile devices is the "Specific Absorption Rate" (SAR). This SAR limit is 2.0 W/kg, averaged over 10 g of body tissue. It meets the requirements of the International Commission on Non-Ionizing Radiation Protection (ICNIRP). The maximum SAR value is calculated at the highest output level in all frequency bands of the mobile device. The highest SAR value reported under this standard during product certification for use of the device at a distance of 0 cm from the body.

During use, the actual SAR level is usually much lower than the maximum value, because the mobile device is different output levels. It only transmits as much output as is required to reach the network. In general the following applies: The closer you are to a base station, the lower the transmission output of your mobile device.

Environment

Temperature

- Operating: 0 °C to 35 °C
 - Non-operating: -20 °C to 60 °C
- Humidity (non-condensing)
- Operating: 20% to 80%
 - Non-operating: 20% to 80%



Third Party Software or Free Software

License Information

Software pre-loaded, embedded or otherwise distributed with the products provided by Acer does contain free or third party software programs (the "Free Software"), which are licensed under the terms GNU General Public License (the "GPL"). The Free Software is marked as such. Your copying, distribution and/or modification of the Free Software shall be subject to the terms of the GPL.

The Free Software is distributed in the hope that it will be useful, but WITHOUT ANY WARRANTY; without even the implied warranty of MERCHANTABILITY or FITNESS FOR A PARTICULAR PURPOSE. The provisions of the GNU General Public License shall always apply. You may visit www.gnu.org to obtain a copy of the GPL or write to the Free Software Foundation, Inc. for asking a copy. The Address of the Free Software Foundation, Inc. is: 59 Temple Place - Suite 330, Boston, MA, 20111-1207, USA.

For a period of three (3) years, commencing from your receipt of this software, you may obtain a complete machine-readable copy of the source code for the Free Software under the terms of the GPL without charge for the cost of media, shipping, and handling, upon written request to us.

Contact us if you have any further questions. Our mailing address is: Acer Inc., 88F, #88 Xintai 5th Rd., Sec. 1, Xizhi district, New Taipei City 221, Taiwan, R.O.C. or visit www.acer.com.



Declaration of Conformity

We,
Acer Incorporated
8F, 88, Sec. 1, Xintai 5th Rd., Xizhi, New Taipei City 221, Taiwan
Contact Person: Mr. RU Jan, e-mail: ru.jan@acer.com

And,
Acer Italy s.r.l
Via Lepetit, 40, 20020 Lainate (MI) Italy
Tel: +39-02-939-921, Fax: +39-02-9399-2913
www.acer.it

Declare under our responsibility that the product:

Product:	Tablet Computer
Trade Name:	acer
Regulatory model number:	A5004
Sku name:	B1-760xxx (x means A-Z, a-z, 0-9, -, /, _ or blank)

To which this declaration refers conforms to the relevant standard or other standardizing documents:

- EN55022:2010+AC:2011 Class B; EN55024:2010
- EN301 489-1 V1.9.2; EN301-489-3 V1.6.1 ; EN301 489-17 V2.2.1
- EN300 328 V1.8.1
- EN300 440-1 V1.6.1, EN300440-2 V1.4.1
- EN 50332-2: 2003
- EN61000-3-2:2008+A1:2009+A2:2009, Class D
- EN61000-3-3:2008
- EN50566:2013; EN62209-2:2010; EN62479:2010
- EN60950-1:2006/A11:2009/A1:2010+A12:2011
- EN50581:2012
- Regulation (EC) No. 278/2009; EN 50563:2011

We hereby declare above product is in compliance with the essential requirements and other relevant provisions of EMC Directive 2004/108/EC, Low Voltage Directive 2006/95/EC, R&TTE Directive 1999/5/EC and RoHS Directive 2011/65/EU and Directive 2009/125/EC with regard to establishing a framework for the setting of ecodesign requirements for energy-related product.

Year to begin affixing CE marking 2015.


RU Jan / Sr. Manager
Regulation, Acer Inc.

June 18, 2015
Date