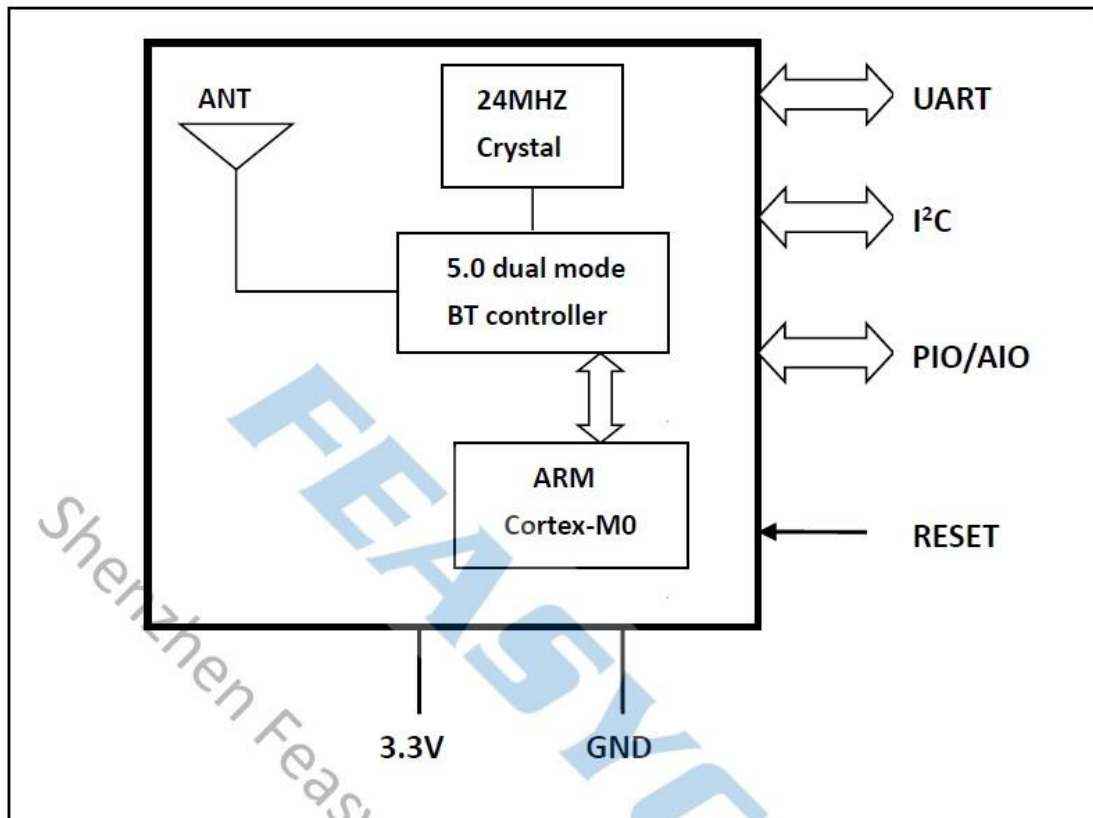


Operational Description



FSC-BT981 is a high-performance, highly integrated Bluetooth 5.0 BR/LE, designed to operate on the 2400MHz to 2480MHz ISM frequency band. Abundant peripherals, power-on reset (POR) and I²C, arithmetic accelerators further reduce the cost and size of the entire system.

The EUT is a BT Dual mode Module with built-in Bluetooth 5.0 transceiver. This device is GFSK(1Mbps) of transmitting speed and modulation.

Frequency hopping spread spectrum systems are not required to employ all available hopping channels during each transmission. The transmitter is presented with a continuous data stream. In addition, a system employing short transmission bursts must comply with the definition of a frequency hopping system and must distribute its 40 channels.

In Basic Rate Mode, the number of the channels is 79 in 2402MHz - 2480MHz. This device provides three kinds of transmitting speed and modulation, respectively GFSK(1Mbps) / $\pi/4$ DQPSK(2Mbps) / 8DPSK(3Mbps).

The system receivers have input bandwidths that match the hopping channel bandwidths of their corresponding transmitters and shift frequencies in synchronization with the transmitted signals.

Frequency hopping spread spectrum systems are not required to employ all available hopping channels during each transmission. The transmitter is presented

with a continuous data stream. In addition, a system employing short transmission bursts must comply with the definition of a frequency hopping system and must distribute its 79 channels and over the minimum number of hopping channels (75 channels).

The incorporation of intelligence within a frequency hopping spread spectrum system that permits the system to recognize other users within the spectrum band so that it individually and independently chooses and adapts its hop sets to avoid hopping on occupied channels is permitted.

The coordination of frequency hopping systems in any other manner for the express purpose of avoiding the simultaneous occupancy of individual hopping frequencies by multiple transmitters is not permitted.

Execute SDoC for Part15B.