

Handheld Terminal with Android™

- HT730 -



User's Manual

Version 0.1

Revision History

Date	Change Description	Version

About This Manual

Thank you for purchasing the unitech product.

This manual explains how to install, operate and maintain our product.

No part of this publication may be reproduced or used in any form, or by any electrical or mechanical means, such as photocopying, recording, or information storage and retrieval systems, without permission in writing from the manufacturer. The material in this manual is subject to change without notice.

Regulatory Compliance Statements

FCC Warning Statement

This device has been tested and found to comply with the limits for a Class B digital device, pursuant to part 15 of the FCC rules. These limits are designed to provide reasonable protection against harmful interference in a residential installation. This equipment generates, uses and can radiate radio frequency energy and, if not installed and used in accordance with the instructions, may cause harmful interference with radio communications. However, there is no guarantee that interference will not occur in a particular installation. If this equipment does cause harmful interference with radio or television reception, which can be determined by turning the equipment off and on, the user is encouraged to try to correct the interference by one or more of the following measures:

- Reorient or relocate the receiving antenna.
- Increase the separation between the equipment and receiver.
- Connect the equipment into an outlet on a circuit different from that to

which the receiver is connected.

–Consult the dealer or an experienced radio/TV technician for help.

1. This transmitter must not be co-located or operating in conjunction with any other antenna or transmitter.
2. This device complies with FCC RF radiation exposure limits set forth for an uncontrolled environment. To maintain compliance with FCC RF exposure requirements, avoid direct contact to the transmitting antenna during transmitting.
3. Any changes or modifications (including the antennas) made to this device that are not expressly approved by the manufacturer may void the user's authority to operate the equipment.

FCC Label Statement

This device complies with part 15 of the FCC rules. Operation is subject to the following two conditions:

1. This device may not cause harmful interference.
2. This device must accept any interference received, including interference that may cause undesired operation.

RF Radiation Exposure Statement

For body contact during operation, this device has been tested and meets FCC RF exposure guidelines when used with an accessory that contains no metal and that positions the handset a minimum of 1.0 cm from the body.

Use of other accessories may not ensure compliance with FCC RF exposure guidelines.

European Conformity Statement

unitech Electronics co., Ltd herewith declares that the unitech product is in compliance with the essential requirements and all other provisions of the RED 2014/53/EU directive.

The declaration of conformity is available for download at :

<https://portal.unitech.eu/public/Safetyregulatorystatement>

CE RF Exposure Compliance

For body-worn operation, this device has been tested and meets the ICNIRP guidelines and the European Standard EN 62209-2, for use with dedicated accessories, SAR is measured with this device at a separation of 0.5 cm to the body, while transmitting at the highest certified output power level in all frequency bands of this device. Use of other accessories which contain metals may not ensure compliance with ICNIRP exposure guidelines.

CE Mark Warning

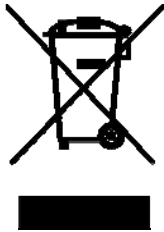


RoHS Statement



This device conforms to RoHS (Restriction Of Hazardous Substances) European Union regulations that set maximum concentration limits on hazardous materials used in electrical and electronic equipment.

Waste electrical and electronic equipment (WEEE)



unitech has set up a policy and process to meet the 2012/19/EU concerning electronic waste disposal.

For more detailed information of the electronic waste disposal of the products you have purchased from unitech directly or via unitech's resellers, you shall either contact your local supplier or visit us at :

<https://portal.unitech.eu/public/WEEE>

Taiwan NCC Warning Statement

低功率電波輻射性電機管理辦法

第十二條：經型式認證合格之低功率射頻電機，非經許可，公司、商號或使用者均不得擅自變更頻率、加大功率或變更原設計之特性及功能。

第十四條：低功率射頻電機之使用不得影響飛航安全及干擾合法通信；經發現有干擾現象時，應立即停用，並改善至無干擾時方得繼續使用。

前項合法通信，指依電信法規定作業之無線電通信。

低功率射頻電機需忍受合法通信或工業、科學及醫療用電波輻射性電機設備之干擾。

SAR標準值2.0W/KG，送測產品實測值為：0.395 (W/KG)

注意事項：

1. 使用過度恐傷害視力。
2. 使用30分鐘請休息10分鐘；未滿2歲幼兒不看螢幕，2歲以上每天看螢幕不要超過1小時。
3. 減少電磁波影響，請妥適使用。
4. 因應各地區/國家開放頻道不同，請依據當地主管機關與電信業者實際公告資訊為主，如服務細則有所變更，請自行洽詢電信業者，恕不另通知。
5. 無線資訊傳輸設備避免影響附近雷達系統之操作

Note:

Within the 5.25-5.35 GHz band, U-NII devices will be restricted to indoor operations to reduce any potential for harmful interference to co-channel MSS operations.

Laser Information

The unitech product is certified in the U.S. to conform to the requirements of DHHS/CDRH 21CFR Subchapter J and to the requirements of IEC 60825-1. Class II and Class 2 products are not considered to be hazardous. The unitech product contains internally a Visible Laser Diode (VLD) whose emissions do not exceed the maximum limits as set forth in the above regulations. The scanner is designed so that there is no human access to harmful laser light during normal operation, user maintenance or prescribed service operations.

The laser safety warning label required by the DHHS/IEC for the unitech product's optional laser scanner module is located on the memory compartment cover, on the back of the unit.

* Laser information only applies to the products with laser components.

CAUTION! Use of controls or adjustments or performance of procedures other than those specified herein may result in hazardous laser light. Use of optical instruments with the scanner, including binoculars, microscopes, and magnifying glasses, will increase eye damage. This does not include eyeglasses worn by the user.

LED Information

The unitech product contains LED indicator(s) or LED ring whose luminance is not harmful to human eyes during normal operation, user maintenance or prescribed service operations.

*LED information only applies to the products with LED components.

Battery Notice

1. To guarantee optimal performance, it is recommended that rechargeable batteries be replaced every year, or after 500 charging cycles are completed. It is normal for the battery to balloon or expand after one year or 500 cycles. Although it does not cause damage, it cannot be used again and must be disposed of according to the location's safe battery disposal procedures.
2. If a battery performance decreases more than 20%, the battery is at the end of its life cycle. Stop use and ensure the battery is disposed of properly.
3. The length of time that a battery lasts depends on the battery type and how the device is used. Conserve the battery life by doing the following:
 - Avoid fully uncharging the battery because this places additional strain on it. Several partial uncharges with frequent charges are better than a fully uncharged battery. Charging a partially charged battery does not cause harm to the unit.
 - **DO NOT leave the battery pack or in the device in a hot condition such as in the car with closed door on a hot day or similar environment, and/or under direct sunlight for an extended period of time. High-temperature condition might cause the battery damaged for further safe usage. Keep the device with the battery within acceptable operating temperatures (please refer to the “specification” section for further details).**

To guarantee optimal battery performance, we generally recommend you replace your rechargeable batteries every two years, or after 500 charging cycles. By ignoring the warning message from above and continuing using the battery neglectfully may lead to a critical consequence.

- Do not leave the battery uncharged and unused for an extended period of time, the battery will wear out and the longevity of the battery will be at least half of one with frequent charges.
- 4. Protect battery life by not over or under charging the battery.
- 5. Please do not leave battery unused for long time without charging it. Despite unitech's safety precautions, the battery pack may begin to change shape. If so, stop using it immediately. Please check to see if you are using a proper power adapter to charge the battery or contact your service provider for service.
- 6. If you cannot charge the battery after it has been idle for an extended period of time and it begins to heat up, please do not try to charge it. It may not be functional anymore.
- 7. Please only use the original battery from unitech. Using a third party battery can damage our products. Please note that when such damage occurs, it is not covered by unitech's warranty policy.

CAUTION!

- RISK OF EXPLOSION IF BATTERY IS REPLACED INCORRECTLY. DISPOSE OF USED BATTERIES ACCORDING TO THE INSTRUCTIONS.
- 如果更換不正確之電池行事會有爆炸的風險
請依製造商說明書處理用過之電池
- 如果更換不正確之電池行事會有爆炸的風險
請依製造商說明書處理用過之電池

Battery charge notice

It is important to consider temperature when the battery pack is charging. Charging is most efficient at normal room temperature or in a slightly cooler environment. It is essential that batteries are charged within the stated range of 0°C to 40°C. Charging batteries outside of the specified range could damage the batteries and shorten their life cycle.

CAUTION! Do not charge batteries at a temperature lower than 0°C. This will make the batteries unstable and dangerous. Please use a battery

temperature detecting device for a charger to ensure a safe charging temperature range.

CAUTION! To ensure the unit working properly, please keep all connectors away from the contaminants staying inside of them such as dust, grease, mud, and water. The negligence may cause the unit with no communication, short circuited, overheated and so on.

CAUTION! If the connector is damaged, please ensure the connector is being fully repaired before use the unit to avoid causing short circuited.

Storage and safety notice

Although charged batteries may be left unused for several months, their capacity may be depleted due to build up of internal resistance. If this happens, they will require recharging prior to use. Batteries may be stored at temperatures between -20°C to 60°C, however they may deplete more rapidly at higher temperatures. It is recommended to store batteries at room temperature.

** The message above only applies to the usage of the removable batteries. For the products with non-removable batteries / without batteries, please refer to the specification of each product.*

Product Operation and Storage Notice

The unitech product has applicable operation and storage temperature conditions. Please follow the limitation of suggested temperature conditions to avoid failure, damage or malfunction.

** For applicable temperature conditions, please refer to the specification of each product.*

Adapter Notice

1. Please do not leave the power adapter in the socket when it is not connected to your unitech product for charging.
2. Please remove the power adapter when the battery is fully recharged.
3. The bundled power adapter that comes with your unitech product is not meant to be used outdoors. An adapter exposed to water or rain, or a very humid environment can cause damage to both the adapter and the product.
4. Please only use the bundled power adapter or same specification of adapter to charge your unitech product. Using the wrong power adapter can damage your unitech product.

** The message above only applies to the product connected to the adapter. For the products without using the adapters, please refer to the specification of each product.*

Hearing Damage Warning

To prevent possible hearing damage, do not listen at high volume levels for long periods.




Figure 1 – Warning label (IEC 60417-6044)

Worldwide Support

unitech's professional support team is available to quickly answer questions or assist with technical-related issues. Should an equipment problem occur, please contact the nearest unitech regional service representative.

For complete contact information please visit the Web sites listed below:

<p>Taipei, Taiwan – Headquarters</p> <p>Tel: +886-2-89121122</p> <p>E-mail: info@hq.ute.com</p> <p>Address: 5F, No. 136, Lane 235, Baoqiao Road, Xindian District, New Taipei City 231, Taiwan (R.O.C.)</p> <p>Website: http://www.ute.com</p>	<p>Europe</p> <p>Tel: +31-13-4609292</p> <p>E-mail: info@eu.ute.com</p> <p>Address: Kapitein Hatterasstraat 19, 5015 BB, Tilburg, the Netherlands</p> <p>Website: http://eu.ute.com</p>
<p>China</p> <p>Tel: +86-59-2310-9966</p> <p>E-mail: info@cn.ute.com</p> <p>Address: Room401C, 4F, RIHUA International Mansion, Xinfeng 3rd Road, Huoju Hi-tech District, Xiamen, Fujan , China</p> <p>Website: http://cn.ute.com</p>	<p>Japan</p> <p>Tel: +81-3-35232766</p> <p>E-mail: info@jp.ute.com</p> <p>Address: Kayabacho Nagaoka Building 8F.,1-5-19 Shinkawa, Chuo-Ku, Tokyo, 104-0033, Japan</p> <p>Website: http://jp.ute.com</p>
<p>Asia & Pacific / Middle East</p> <p>Tel: +886-2-27911556</p> <p>E-mail: info@apac.ute.com info@india.ute.com info@mideast.ute.com</p> <p>Address: 4F., No. 236, ShinHu 2nd Rd., NeiHu Chiu, 114, Taipei,Taiwan</p> <p>Website: http://apac.ute.com / http://mideast.ute.com</p>	<p>Latin America</p> <p>Tel: +52-55-5171-0528</p> <p>E-mail: info@latin.ute.com</p> <p>Address: 17171 Park Row, Suite 210 Houston, TX 77084USA (Rep.)</p> <p>Website: http://latin.ute.com</p>
<p>North America</p> <p>Tel: +1-714-8916400</p> <p>E-mail: info@us.ute.com / info@can.ute.com</p> <p>Address: 6182 Katella Ave, Cypress, CA 90630, USA</p> <p>Website: http://us.ute.com</p>	<p>Please scan QR Code to visit us :</p> 

Warranty Policy

The following items covered under the unitech Limited Warranty are free from defects during normal use:

The warranty period is varied from each country. Please consult with your supplier or unitech local office for actual length of warranty period to your purchased product.

Warranty becomes void if equipment is modified, improperly installed or used, damaged by accident or neglect, or if any parts are improperly installed or replaced by the user.

Table of Contents

Preface	i
Regulatory Compliance Statements	i
Laser Information	vi
LED Information	vi
Battery Notice	vii
Adapter Notice.....	x
Hearing Damage Warning	xi
Worldwide Support	xii
Warranty Policy	xiii
Chapter 1 - Overview	1
1.1 Package	1
1.2 Product Detail.....	2
1.3 Specifications	3
1.4 Getting Started	6
1.5 Keypad Definition	12

Chapter 1 - Overview

1.1 Package

Please make sure the following contents are in the HT730 gift box. If something is missing or damaged, please contact your unitech representative.

The basic package contents

- HT730
- Battery
- Hand Strap
- Quick Start Guide
- Regulatory Compliance Statements

Optional accessories

- Terminal Power Adapter
- Cradle + Cradle Adapter
- 1-slot Terminal & Battery Charging Cradle
- 1-slot Ethernet & Battery Cradle
- 1-slot USB & Battery Cradle
- Glass Screen Protector
- USB Type C Cable

1.2 Product Detail



①	Scanner Window	⑥	Receiver
②	13m Camera & LED Flash Light	⑦	Pogo pin
③	LED Indicator	⑧	USB Type C Port
④	Scanner Trigger Key	⑨	Battery Release Latch
⑤	Keypad	⑩	Battery Cover

1.3 Specifications

System Features	
CPU	Qcta-core 2.3 GHz, Qualcomm 720G (SM7125)
Memory	4 GB RAM 64 GB Flash
Expanded slot	Micro SD/TF x 1 (maximum of 128 GB)
OS	Android™ 10 (Android is a trademark of Google LLC.)
Languages support	English, Simplified Chinese, Traditional Chinese, Japanese, Spanish, German, French and multiple languages
Display	
4" TFT-LCD WVGA (480x800) color screen (400 nits)	
Touch Panel	
Ultra-sensitive capacitive touch screen, compatible with gloves and support wet resistance	
Keypad	
Numeric and Function(Default) / Numeric keypad Hard silicon keypad with backlight	
Indicator	
LED, Speaker, Vibrator	
Engines	
2D	N3603 N6703 EX30

Audio	
One speaker (8 ohm / 2W output), One receiver (32 ohm), MIC and Headset interface connect to Type-C connector	
Regulatory Approvals	
CE, RED, FCC, NCC, VCCI, TELEC, CCC, SRRC	
I/O Interfaces	
USB	USB Type-C Support USB OTG
POGO PIN	Custom IO connector (include USB Host)
SIM Slot	Nano-SIMx 2
Communication	
Camera	13 MP Rear and Flash Light
Bluetooth®	Bluetooth® 5.1
WLAN	802.11a/b/g/n, 802.11ax-ready, 802.11ac Wave 2(Dual Antenna, MIMO 2X2 support)
WWAN	LTE Advanced Support Up to CAT4 LTE (FDD) – Bands 1, 2, 3, 4, 5, 7, 8, 17, 20, 28 LTE (TDD) – Bands 38, 39, 40, 41 UMTS/HSPA+ (3G) – Bands 1, 2, 5, 8 GSM/GPRS/EDGE Quad-Band (850/900/1800/1900 MHz)
GPS	GPS, GLONASS, Galileo, BeiDou
RFID	
UHF	Frequency : 865~868MHz, 902~928MHz Protocol : EPC global Class 1 Gen 2 ISO 18000-6C/6B Antenna gain : 3dbi Output Power : 1-30dbm adjustable Data Capture Range : 6~8 meters"
HF	Frequency 13.56Mhz ISO14443A/B, ISO15693 standard, NFC, MIFARE, Felica"
Power Source	
Standard Battery	3.7V 6700mAh
Hot Swap Battery	Keep applications active up to 1 minute

Enclosure	
Weight	395g (with battery)
Dimension	195 mm x 72 mm x 34 mm
Environmental	
Operating Temperature	-4°F to 122°F (-20°C to 50°C)
Storage Temperature	-22°F to 140°F (-30°C to 60°C)
Charging Temperature	32°F to 113°F (0°C to 45°C)
Relative Humidity	5% ~ 95% (non-condensing)
Drop test to Concrete	1.8m 2.4m (with Bumper)
ESD	+/-8KV direct discharge, +/-15KV air discharge
Environmental Sealing	IP65 / IP67

Note:

The device is restricted to indoor use only when operating in the 5150 to 5350 MHz frequency range.

	AT	BE	BG	HR	CY	CZ	DK
	EE	FI	FR	DE	EL	HU	IE
	IT	LV	LT	LU	MT	NL	PL
	PT	RO	SK	SI	ES	SE	UK
	IS	LI	NO	CH	TR		

1.4 Getting Started

1.4.1 Install / Remove the Battery Cover

■ Install the battery pack and the battery cover

1. Slide and position the battery pack, making sure the battery contacts are aligned with the contacts in the battery compartment.



2. Make sure the battery release latch is in the unlocked position.



3. Insert the battery cover up to 45 degrees (45°), from bottom to top. Press the battery cover down to secure in place and then slide the battery release latch to the locked position.



■ Unlock the battery cover

1. Make sure the battery release latch is in the unlocked position.



2. Grab the battery cover from the two recesses and lift gently upward to remove the battery cover.



WARNING! *There is a risk of fire and burns if the battery is handled improperly. DO NOT disassemble, crush, puncture, short external contacts, or dispose the battery pack in fire or water. DO NOT attempt to open or service the battery. Dispose of used batteries according to local recycling guidelines in your area.*

NOTE: *After installing the battery, make sure the battery cover is securely closed.*

1.4.2 Charging the Battery

Using the terminal for the first time, you need to charge it for about 24 hours. For the regular use, you can charge the terminal with the USB type-C cable. It takes within 4 hours to charge the terminal with the cradle to full capacity.

Connect the type C USB cable to the USB port on HT730 and connect the other end of the USB cable to AC power adapter. Then plug into the electrical outlet. It is highly recommended that using the unitech USB type-C cable and AC power adapter to charge the terminal.

The charging LED indicator on HT730 is turning red when it is in charging state. The green light is on after the battery is fully charged.



1.4.3 Turning on the terminal for the first time

It is recommended to fully charge HT730 before first use. You can now start up your device to set up the languages, WLAN setting, and date and time.

Power Button

Turn ON your device by pressing the power button on the terminal.



1.4.4 Checking the LED status

	LED	Description
Terminal	Red Light	<ul style="list-style-type: none"> ■ Battery Charging ■ Twinkling to indicate battery low status(less than 15%)
	Green Light	<ul style="list-style-type: none"> ■ Battery Fully charged ■ Barcode scan good read
	Blue Light	Message
	No LED (Red and Green) display when battery is out (even AC IN)	

Checking the Battery Status

If the battery level becomes low in the course of normal use, a status icon appears on the device screen indicating low or very low battery status. In both cases, please back up your data, and then recharge your device as soon as possible.

1.4.5 Using the Micro SD/ Nano SIM Card

The HT730 has 1 x micro SD and 2 x nano SIM card slots inside the battery compartment.

Note: Please TURN OFF the terminal, before inserting or removing micro SD card or nano SIM card,

Inserting Micro SD/ Nano SIM Card

1. Make sure the battery release latch is in the unlocked position.



2. Grab the battery cover from the two recesses and lift gently upward. Remove the battery cover and the battery.



3.



SIM 1 & 2 Card Slot

Push down SIM card holder to unlock and lift the card holder to insert SIM card. Close the card holder and slide up to lock position. Ensure that it is installed properly.



MicroSD Card Slot






Push up MicroSD card holder to unlock and lift the card holder to insert MicroSD card. Close the card holder and slide down to lock position. Ensure that it is installed properly.

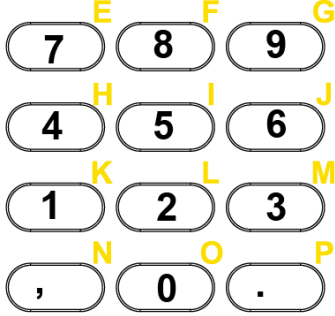
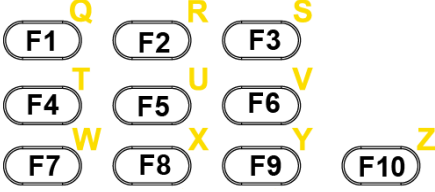









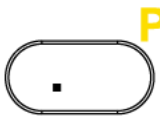

4. Replace the battery back and the battery cover and lock the cover. Make sure the battery cover is securely closed.

1.5 Keypad Definition



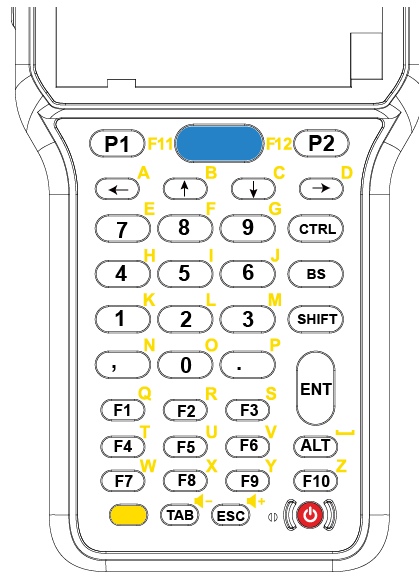
Key	Description
	Power key
	Press the yellow alpha key to access the alternate alpha characters. Toggle between numeric and alphabetic entry modes. The icon appears on the Status bar. Press and release the orange alpha key again to return to the default keypad functions.
	Programmable key
	Scanner key
	Moves right, up, down, or left from one item to another.

Key	Description
	<p>Numeric/Alpha keys Press the yellow alpha key to access the alternate alpha characters. Toggle between numeric and alphabetic entry modes.</p>
	<p>Special function keys</p>
	<p>CTRL key</p>
	<p>Backspace key</p>
	<p>SHIFT key</p>
	<p>Enter key</p>
	<p>ALT key</p>
	<p>TAB key</p>
	<p>ESC key</p>

Key	Description
	Produces a period symbol
	Produces a comma symbol

1.5.1 Using Keypad Combination

Press the orange key, it will appear a symbol **A** in the status bar at the top of the screen. Then you can refer to the following table to execute the desired function or input.



Key	Yellow Key + Key
P1	F11
P2	F12
Left Arrow	A
Up Arrow	B
Down Arrow	C
Right Arrow	D
ESC	🔊+
TAB	🔊-
ALT	Space
CTRL	CTRL
ENT	ENT

Key	Yellow Key + Key
7	E
8	F
9	G
BS	BS
4	H
5	I
6	J
1	K
2	L
3	M
,	N
0	O
.	P
F1	Q
F2	R
F3	S
F4	T
F5	U
F6	V
F7	W
F8	X
F9	Y
F10	Z