
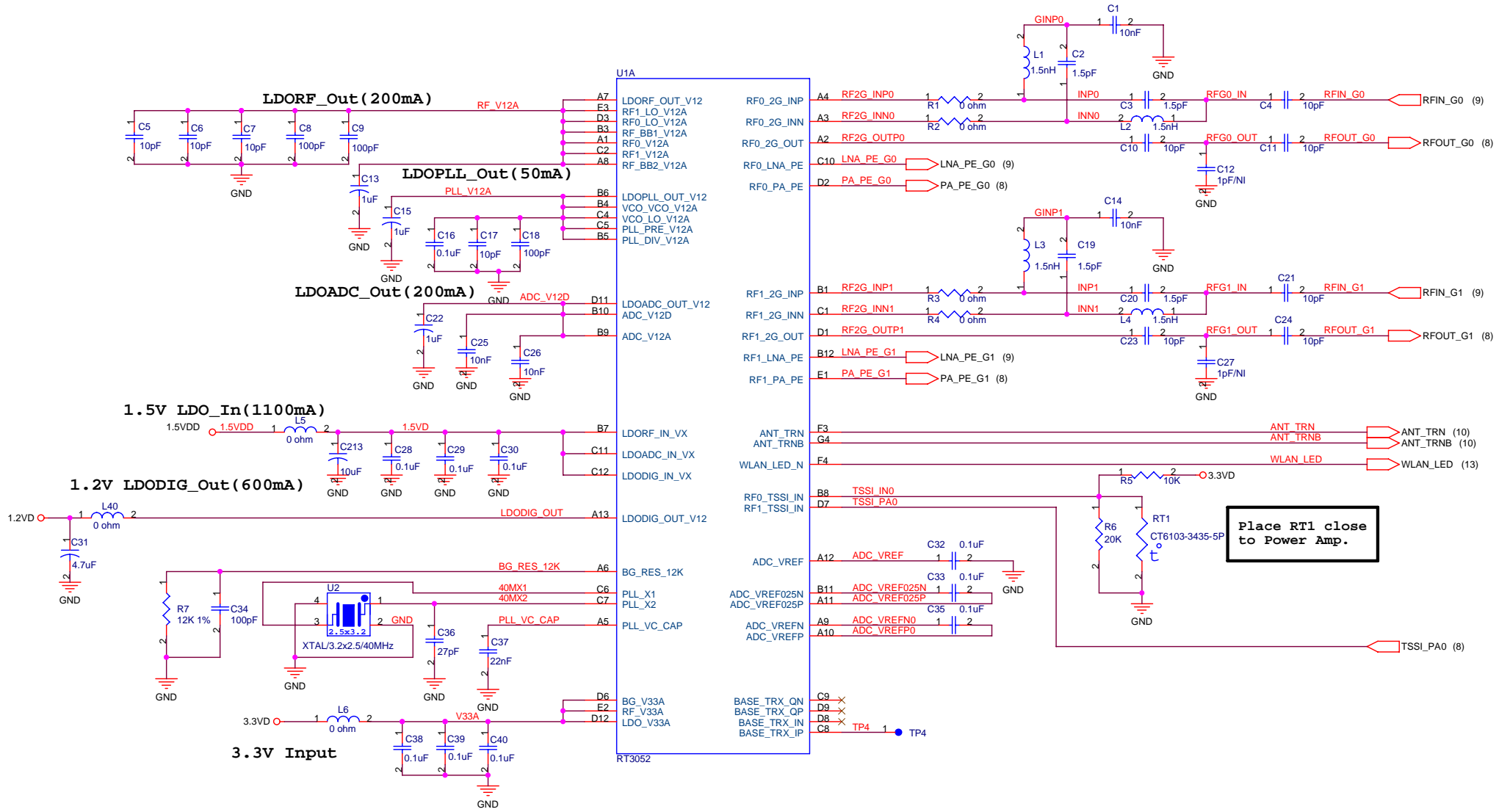



Filename:  
AP-RT3052-V22RW-LNA-2X2-080826.DSN

		<b>RALINK TECHNOLOGY, CORP. CONFIDENTIAL</b>	
		Title: 11n 2.4G AP-RT3052	
Size: B	Document Number: AP-RT3052-V22RW-LNA.SCH		Rev: 2.2
Date: Monday, December 21, 2009	Sheet: 1	of 14	



Place RT1 close to Power Amp.

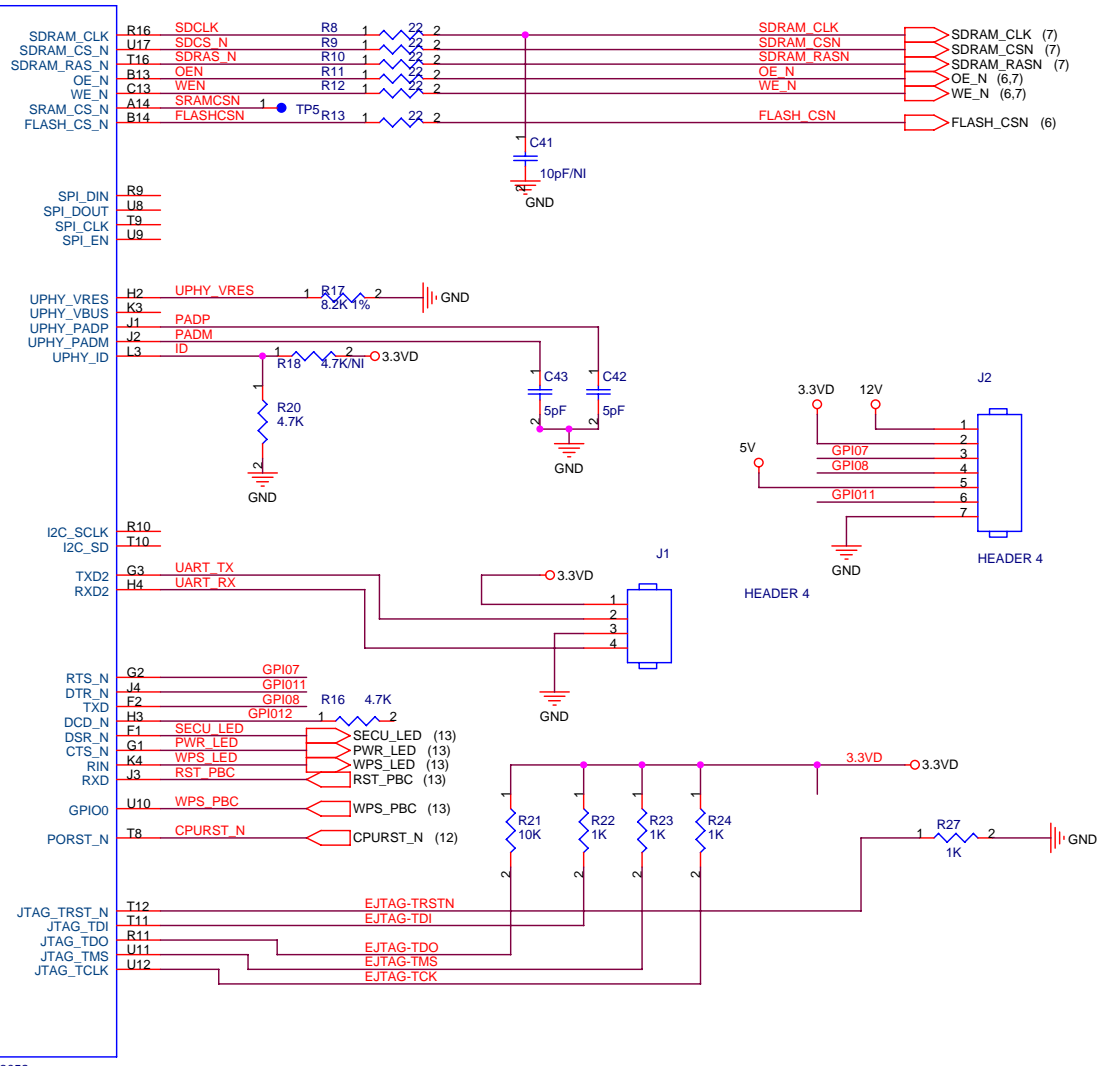
		<b>RALINK TECHNOLOGY, CORP. CONFIDENTIAL</b>	
		Title: RT3052-A RF	
Size	Document Number	Rev	
B	11-RT3052-RF-A.SCH	2.2	
Date:	Monday, December 21, 2009	Sheet	2 of 14

MDATA[0:31] (6,7) ← MDATA[0:31]

MDATA31	P12	MD31
MDATA30	R13	MD30
MDATA29	U13	MD29
MDATA28	T13	MD28
MDATA27	P13	MD27
MDATA26	N14	MD26
MDATA25	R12	MD25
MDATA24	U14	MD24
MDATA23	U15	MD23
MDATA22	R14	MD22
MDATA21	P14	MD21
MDATA20	T14	MD20
MDATA19	R15	MD19
MDATA18	P15	MD18
MDATA17	U16	MD17
MDATA16	T15	MD16
MDATA15	E17	MD15
MDATA14	F16	MD14
MDATA13	D17	MD13
MDATA12	G15	MD12
MDATA11	F15	MD11
MDATA10	D16	MD10
MDATA9	C17	MD9
MDATA8	C16	MD8
MDATA7	E15	MD7
MDATA6	A17	MD6
MDATA5	B16	MD5
MDATA4	B17	MD4
MDATA3	C15	MD3
MDATA2	D15	MD2
MDATA1	A16	MD1
MDATA0	B15	MD0
MADDR22	D13	MA22
MADDR21	C14	MA21
MADDR20	A15	MA20
MADDR19	N15	MA19
MADDR18	P16	MA18
MADDR17	R17	MA17
MADDR16	T17	MA16
MADDR15	M15	MA15
MADDR14	N17	MA14
MADDR13	N16	MA13
MADDR12	P17	MA12
MADDR11	M16	MA11
MADDR10	M17	MA10
MADDR9	L16	MA9
MADDR8	L17	MA8
MADDR7	K16	MA7
MADDR6	K17	MA6
MADDR5	K15	MA5
MADDR4	H15	MA4
MADDR3	F16	MA3
MADDR2	F17	MA2
MADDR1	G16	MA1
MADDR0	H16	MA0

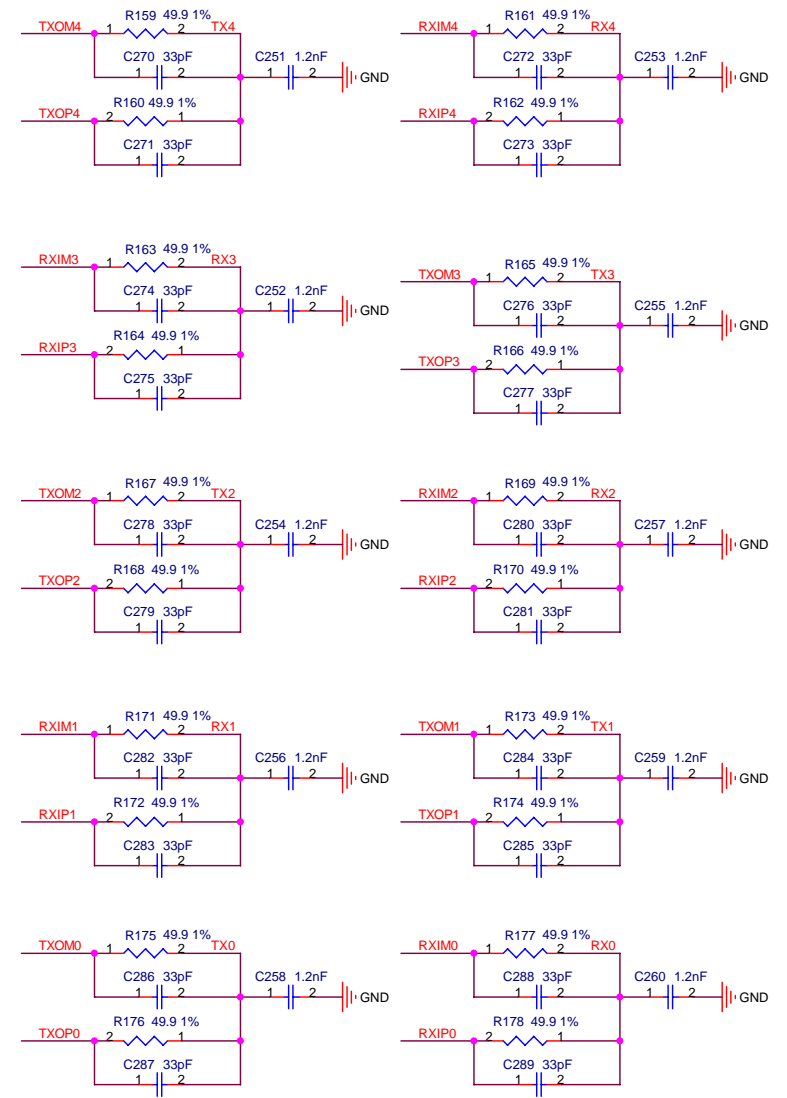
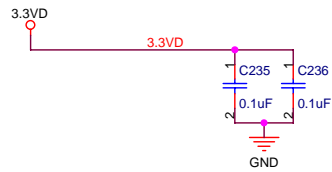
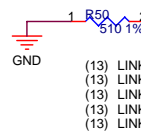
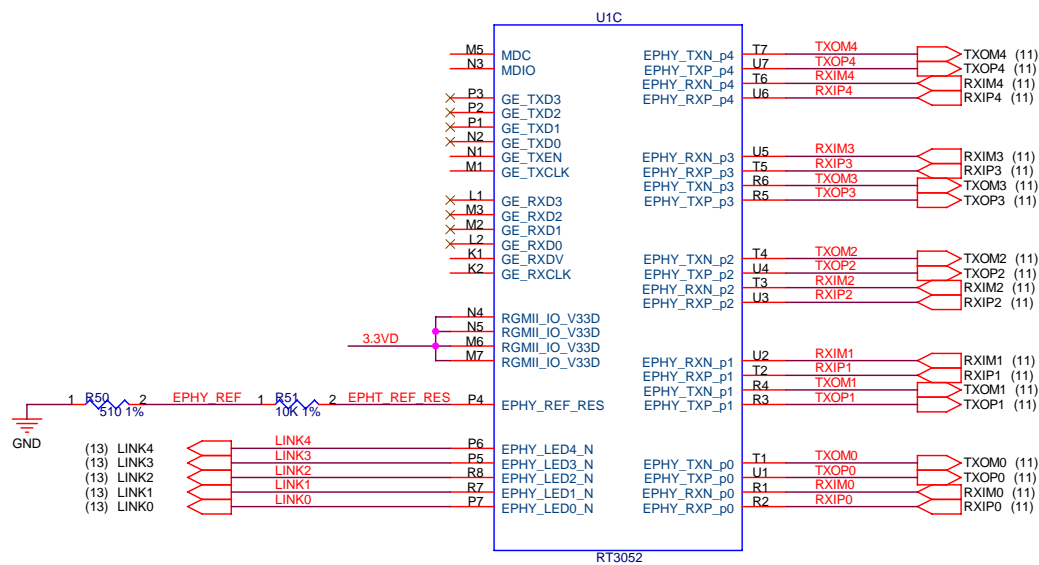
MADDR[0:22] (6,7) ← MADDR[0:22]


U1B

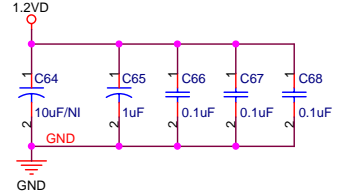
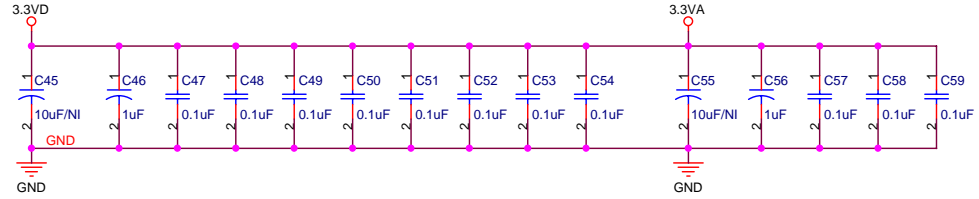
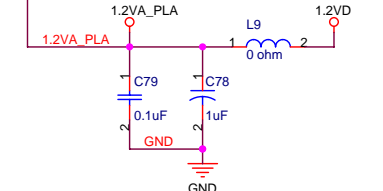
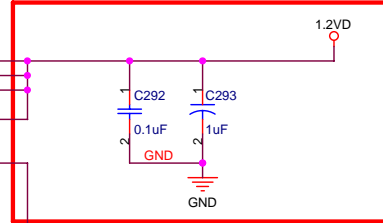
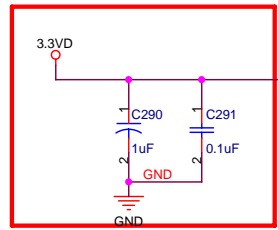
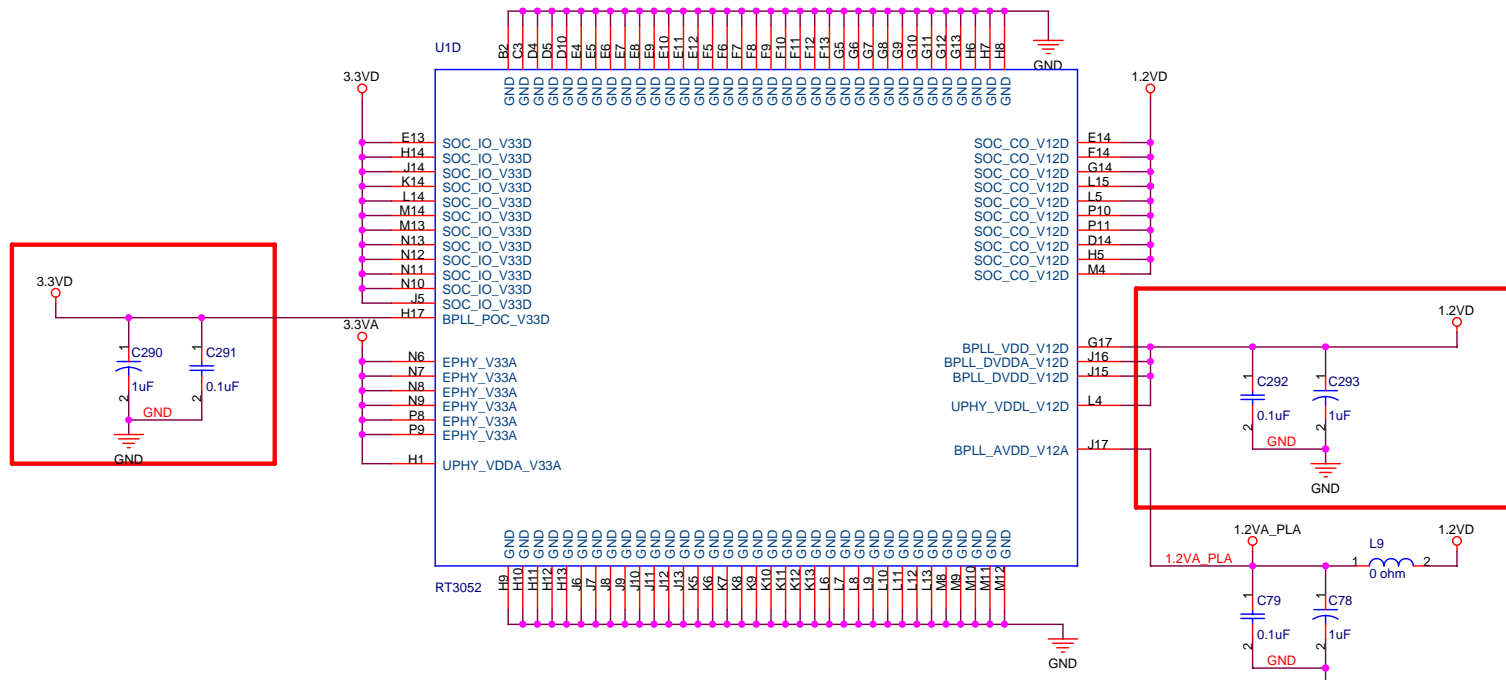



RT3052

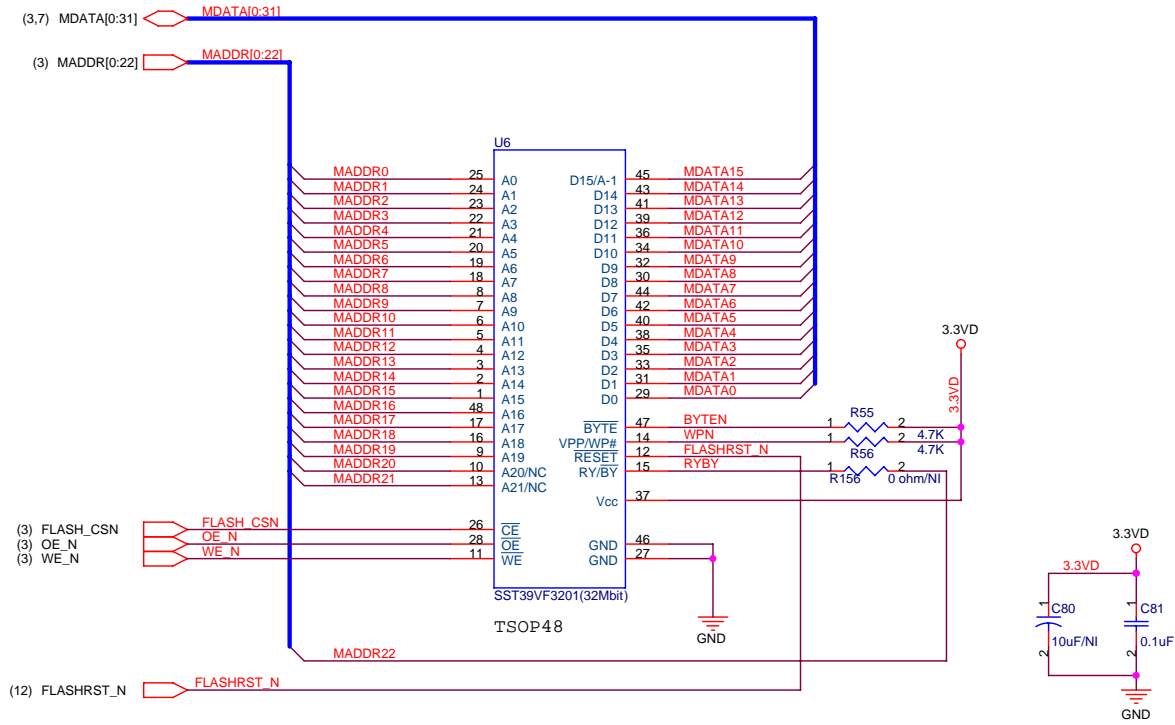
	<b>RALINK TECHNOLOGY, CORP. CONFIDENTIAL</b>	
	Title: RT3052-B Peripheral	
Size: B	Document Number: 12-RT3052-Peripheral-B.SCH	Rev: 2.2
Date: Sunday, June 05, 2011	Sheet: 3	of 14

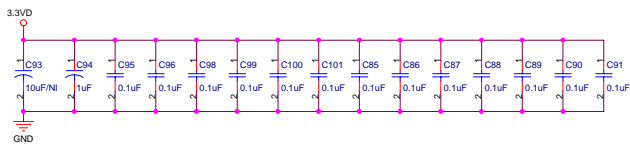
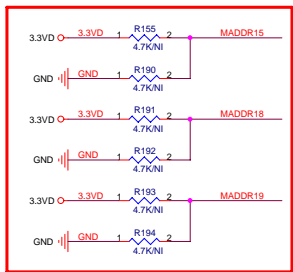
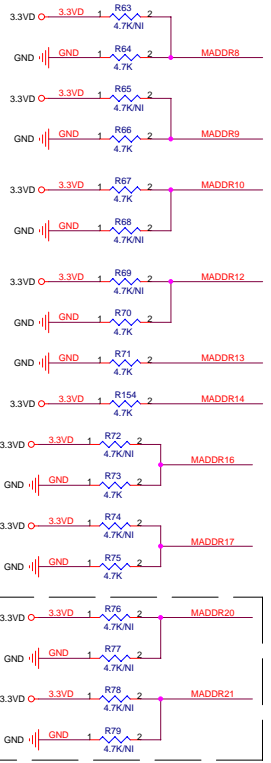
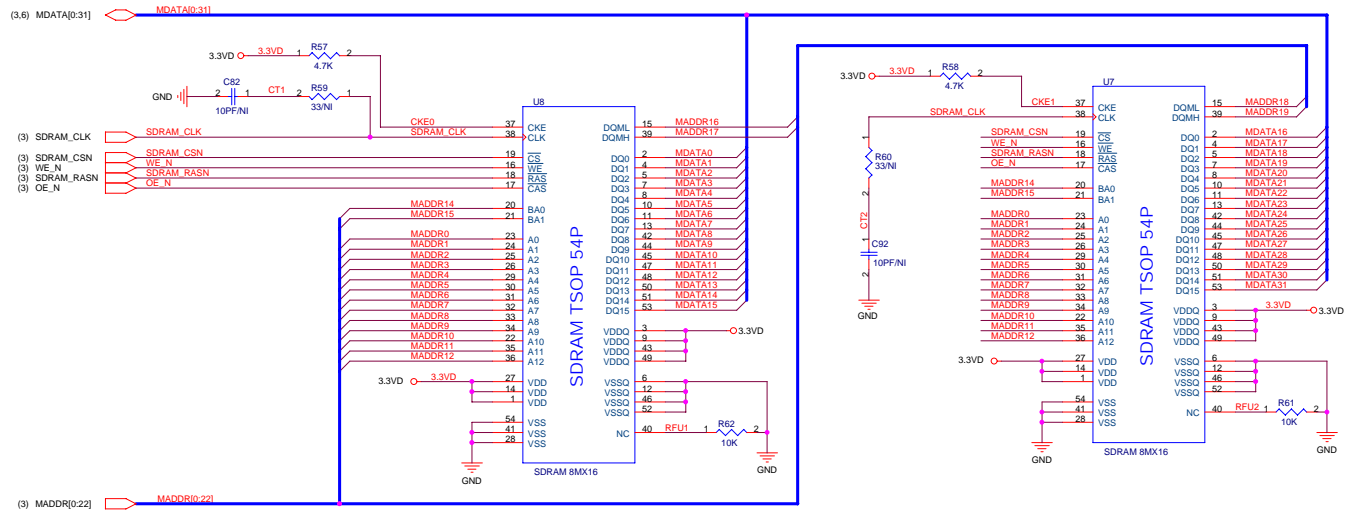


		<b>RALINK TECHNOLOGY, CORP. CONFIDENTIAL</b>	
		Title: RT3052-C Ethernet	
Size: B	Document Number: 13-RT3052-Ethernet-C.SCH	Rev: 2.2	
Date: Monday, December 21, 2009	Sheet: 4	of 14	



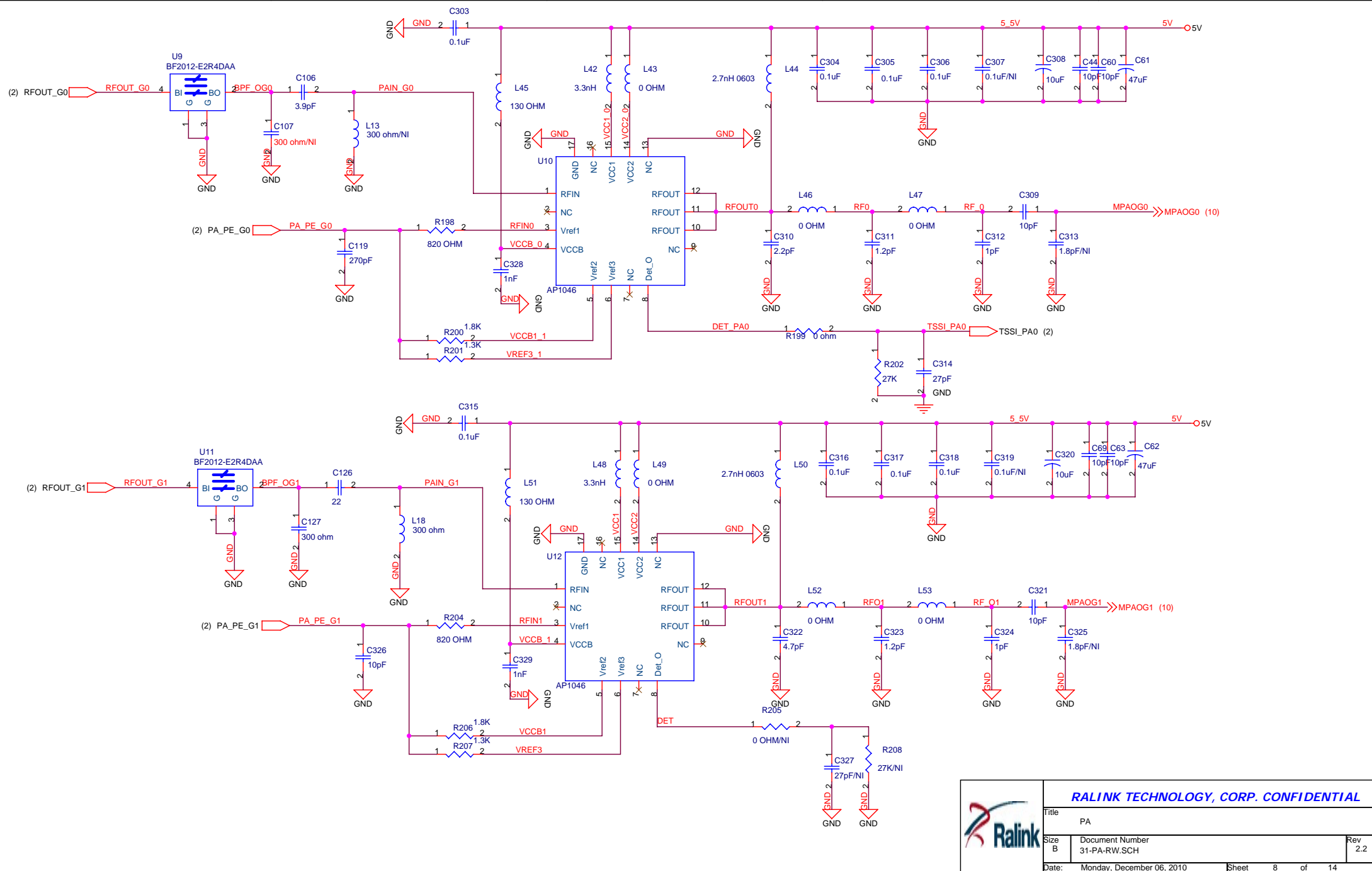
		<b>RALINK TECHNOLOGY, CORP. CONFIDENTIAL</b>	
		Title: RT3052-D Power	
Size: B	Document Number: 14-R3052-Power-D.SCH		Rev: 2.2
Date: Monday, December 21, 2009	Sheet: 5	of 14	



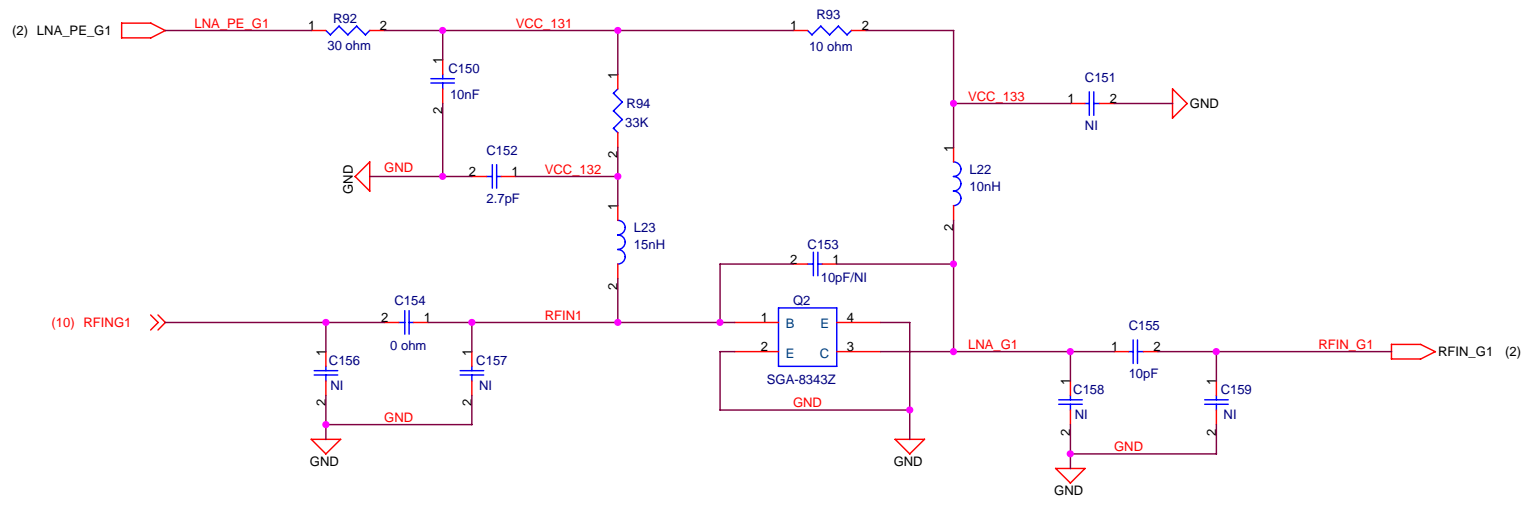
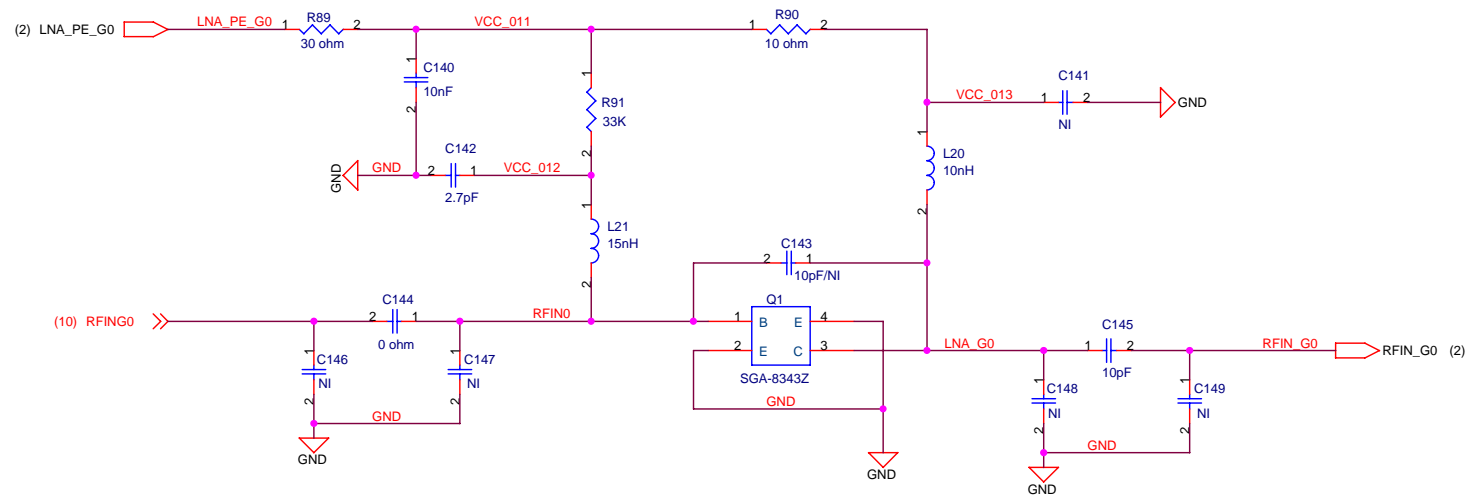



### Boot Up Strapping

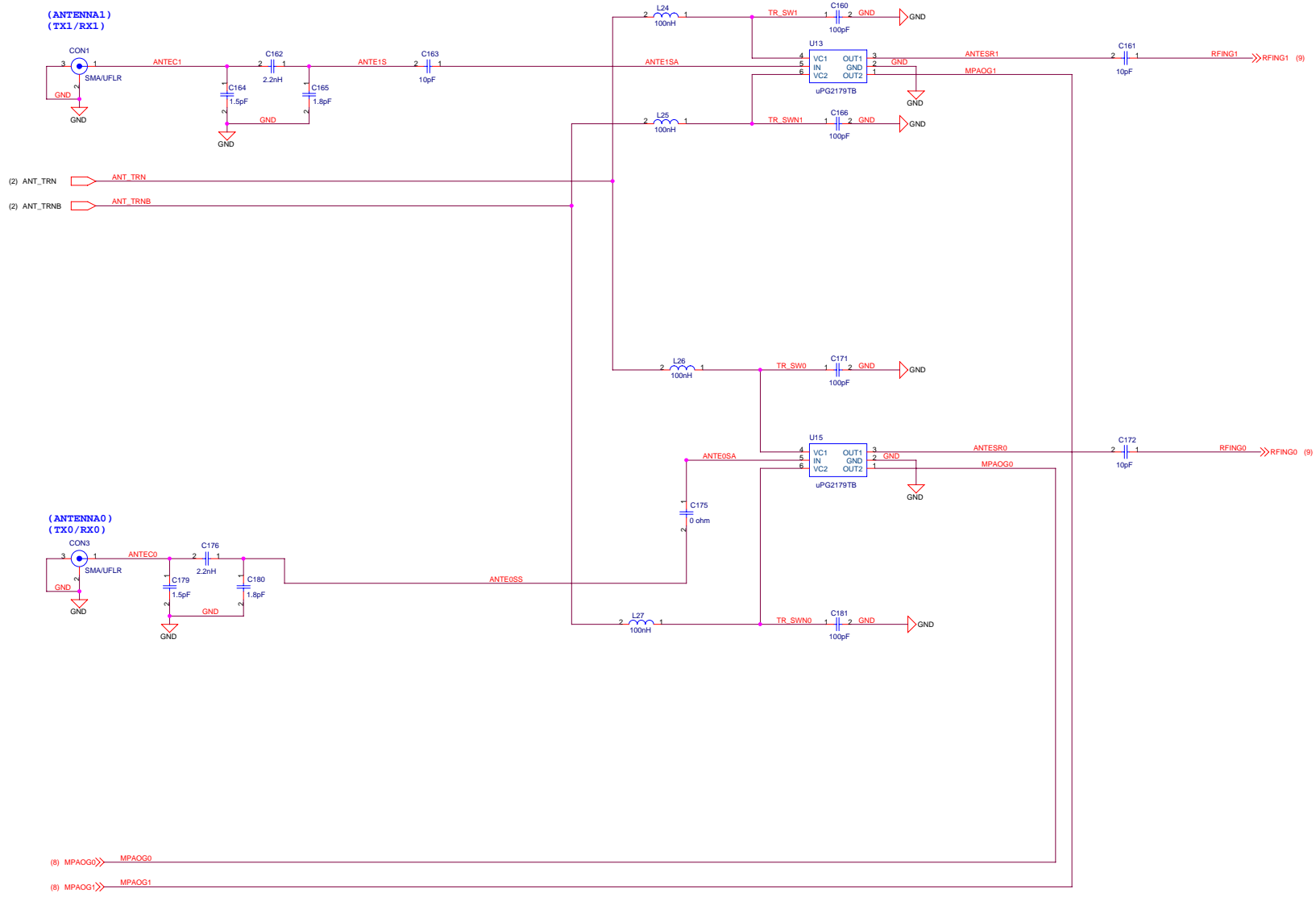
Pin Name	Description	Value=0	Value=1
MA[9:8]	BOOT FROM	00 : 16bit flash* 01 : 8bit flash 10 : NAND Flash 11 : Internal ROM	
MA10	CPU CLK SEL	320Mhz	384Mhz*
MA12	BIG ENDIAN	Little*	Big
MA13	Bypass PLL	Not Bypass*	Bypass
MA14	Boot Addr	0x1FC0000*	0x1F000000
MA15	Reserved		
MA[17:16]	GE MODE	Gagabit Port Mode 00 : RGMII (10/100/1000M bps)* 01 : MII(10/100M bps) 10 : Reversed MII(10/100M bps) 11 : Reversed	
MA18	Reserved		
MA19	Reserved		
MA20	INIC SDRAM	2MB*	8MB
MA21	INIC Config	NA	EEPROM /MA20

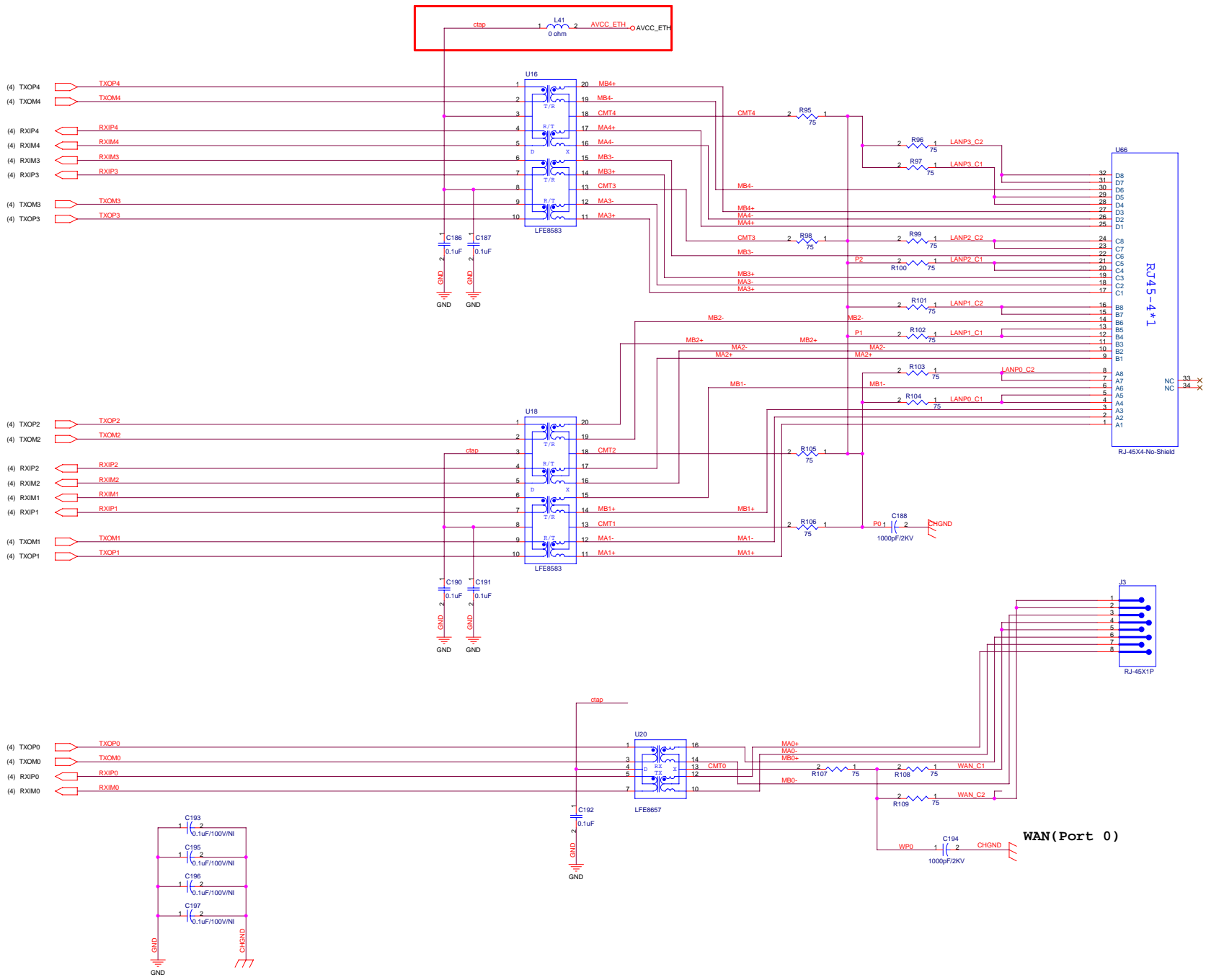




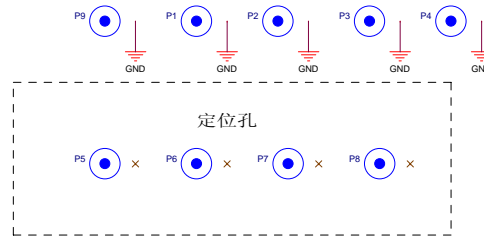
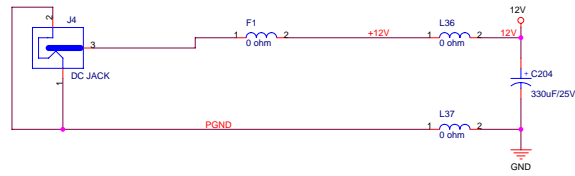


			<b>RALINK TECHNOLOGY, CORP. CONFIDENTIAL</b>		
			Title LNA		
Size B	Document Number 32-LNA.SCH			Date: Monday, December 06, 2010	
Date: Monday, December 06, 2010			Sheet 9 of 14		

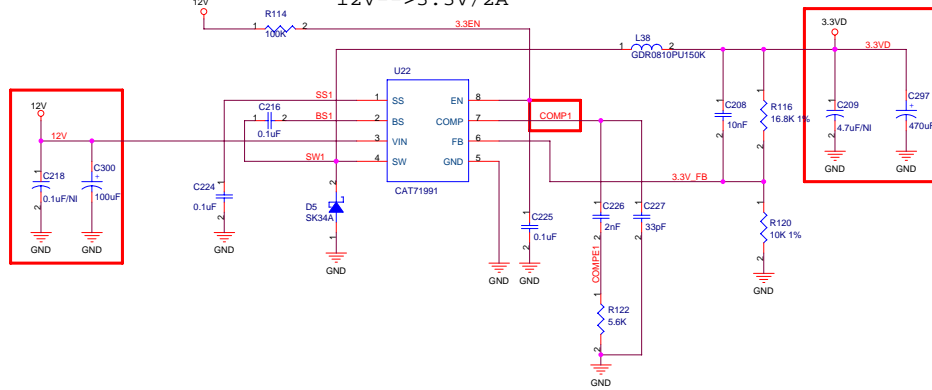




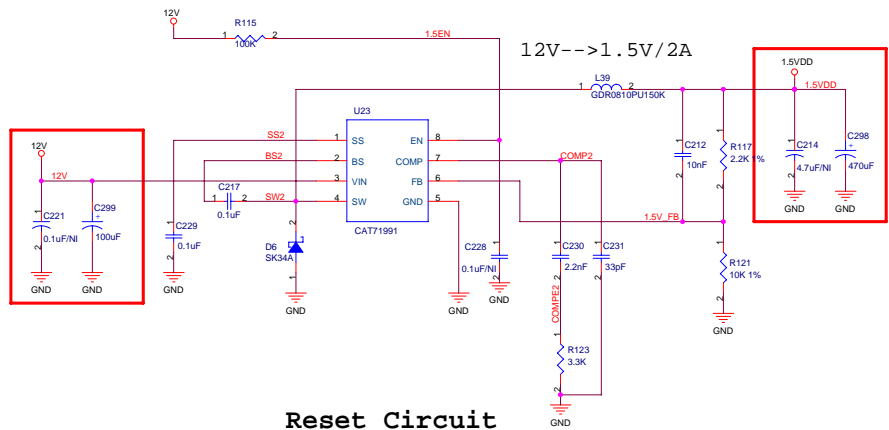
# 12V DC ADAPTER



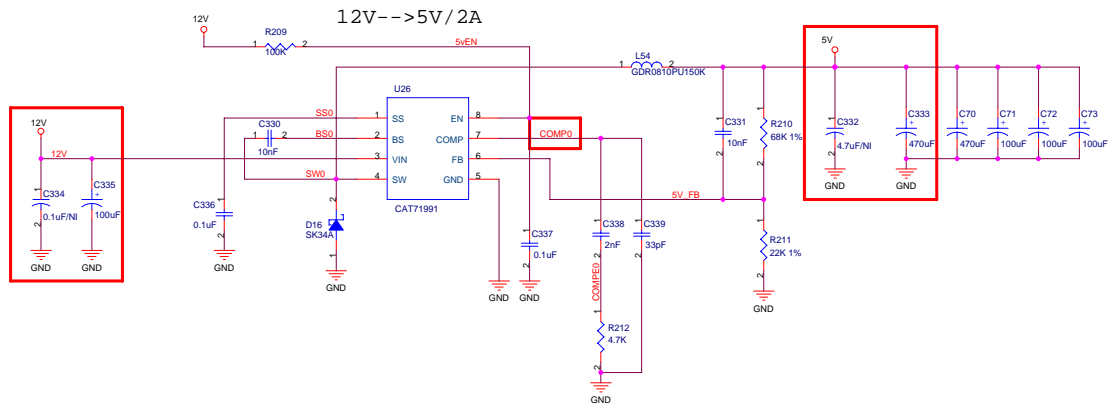
## 12V-->3.3V/2A



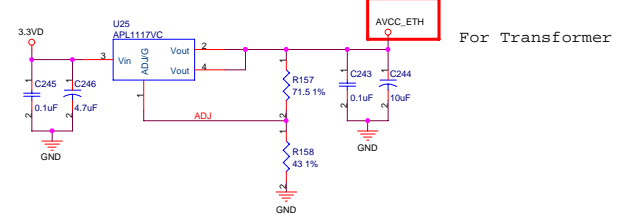
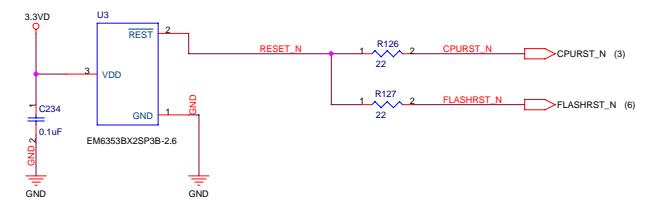
## 12V-->1.5V/2A

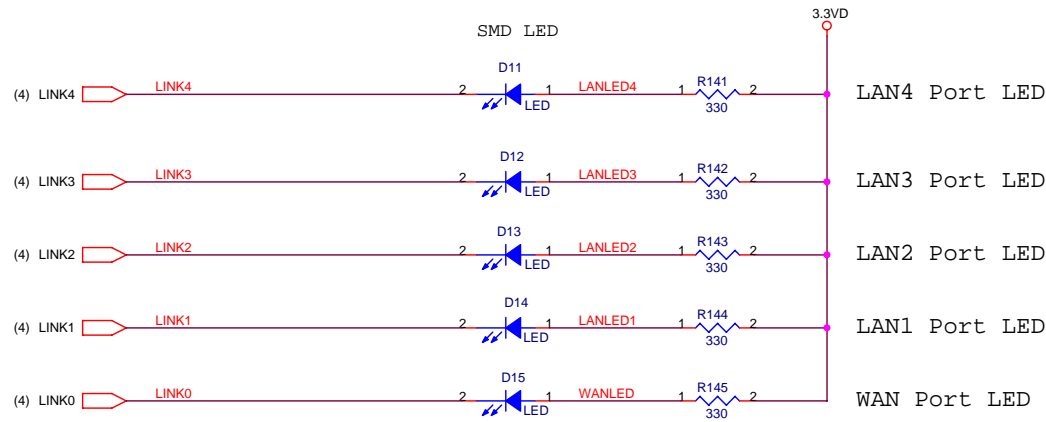
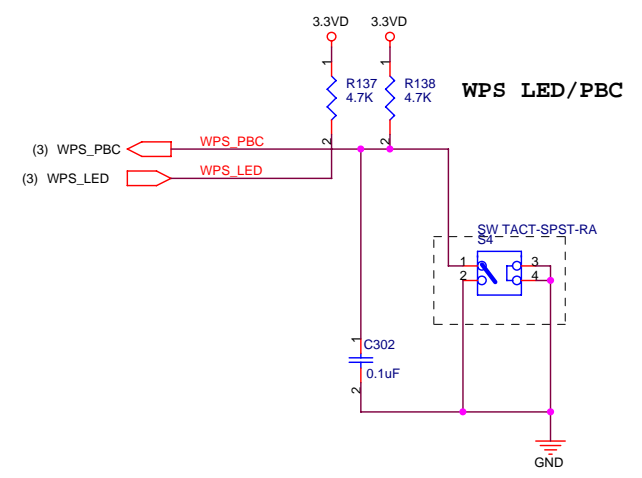
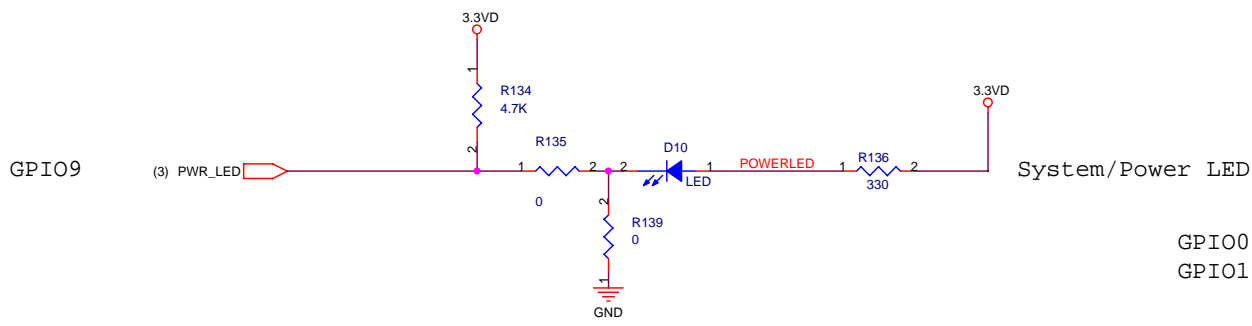
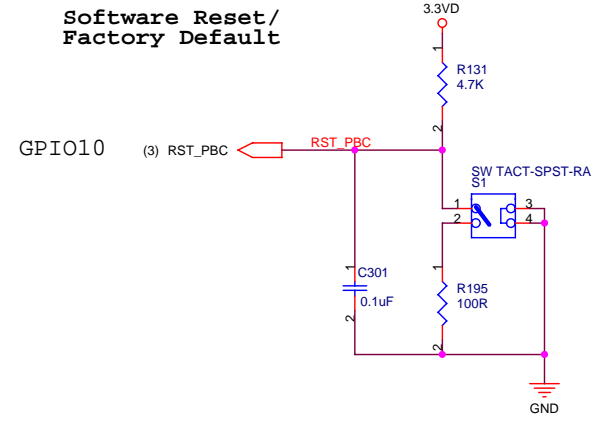
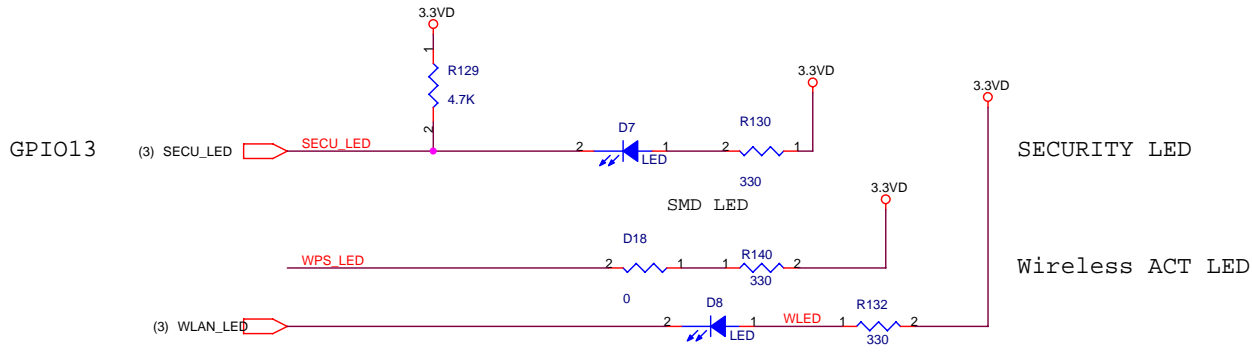



## 12V-->5V/2A



## Reset Circuit





		<b>RALINK TECHNOLOGY, CORP. CONFIDENTIAL</b>	
		Title: LED	
Size: B	Document Number: 6-LED.SCH	Rev: 2.2	
Date: Sunday, June 05, 2011	Sheet: 13	of 14	

