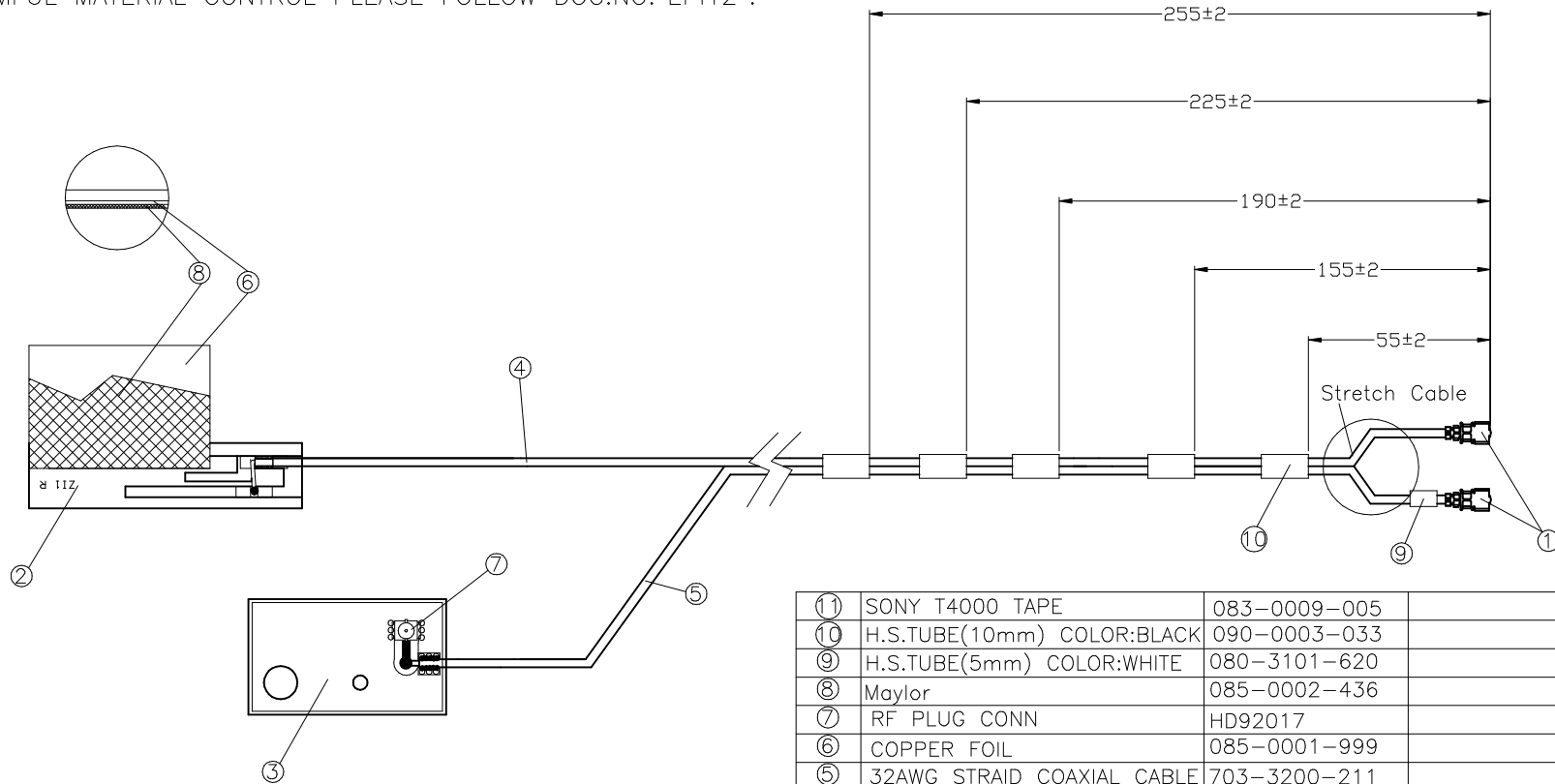


REV.	ECN. NO.	APPD.
X1		

NOTES:

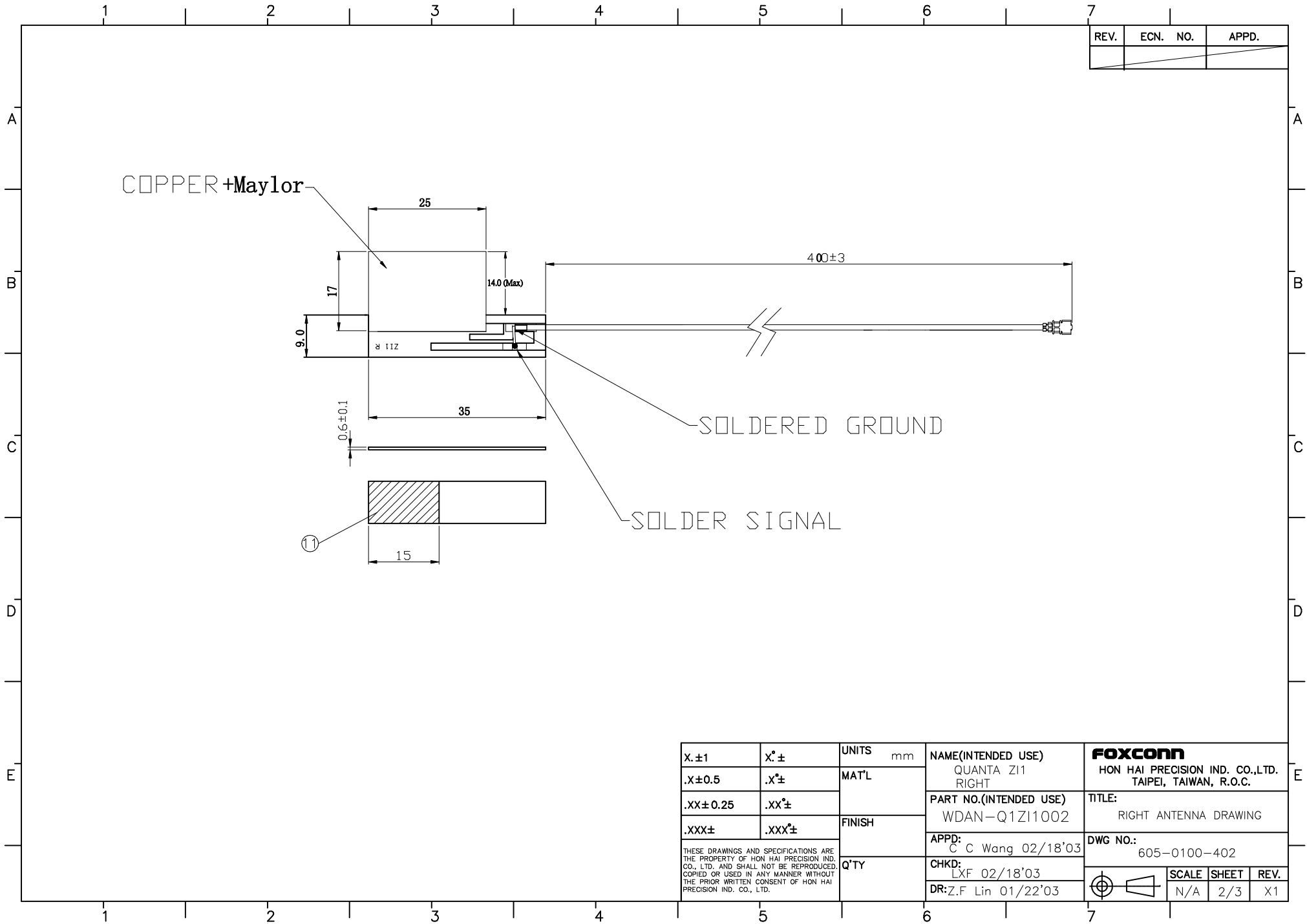
1. ALL DIMENSIONS SHALL BE INTERPRETED PER ANSI Y14.5M-1982.
2. DIMENSIONS MARKED ▼ SHALL BE CHECKED.
3. HARMFUL MATERIAL CONTROL PLEASE FOLLOW DOC.NO."EPI12".

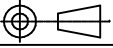


ITEM	DESCRIPTION	FOXCONN P/N	REMARK	Q'TY
①	SONY T4000 TAPE	083-0009-005		A/R
⑩	H.S.TUBE(10mm) COLOR:BLACK	090-0003-033		5 PCS
⑨	H.S.TUBE(5mm) COLOR:WHITE	080-3101-620		1 PCS
⑧	Maylor	085-0002-436		A/R
⑦	RF PLUG CONN	HD92017		1 PCS
⑥	COPPER FOIL	085-0001-999		1 PCS
⑤	32AWG STRAID COAXIAL CABLE	703-3200-211		A/R
④	32AWG STRAID COAXIAL CABLE	703-3208-211		A/R
③	Transform PCB	01-01000032-00		1 PCS
②	PCB	01-01000033-00		1 PCS
①	RF CONNECTOR	SGX0001-00		2 PCS

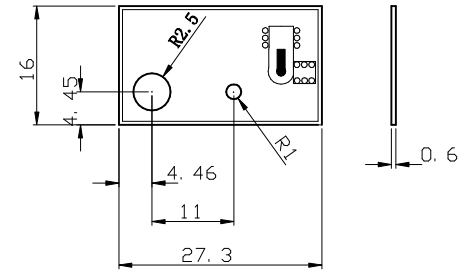
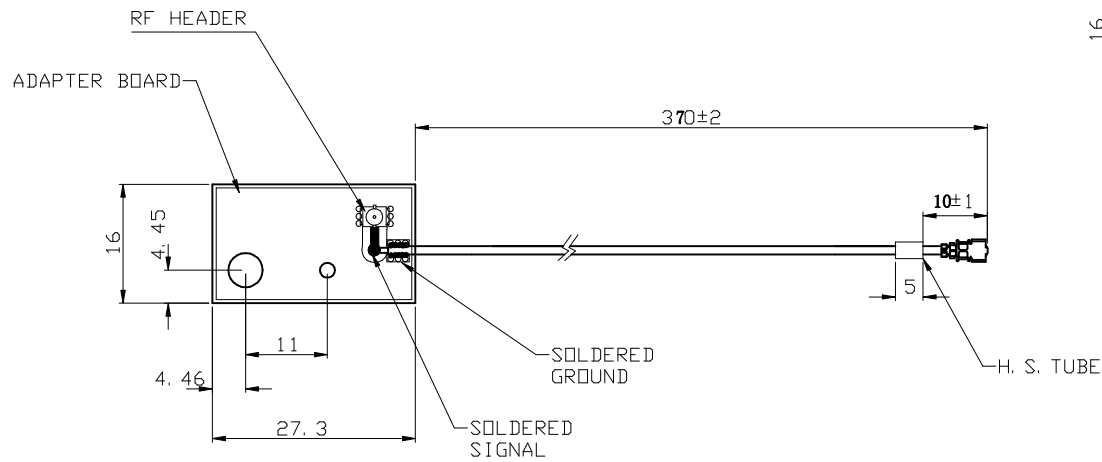
X.±1.0	X'±	UNITS	mm	NAME(INTENDED USE)	FOXCONN
.X±0.5	.X'±	MAT'L		QUANTA Z11 RIGHT	HON HAI PRECISION IND. CO.,LTD. TAIPEI, TAIWAN, R.O.C.
.XX±0.25	.XX'±	FINISH		PART NO.(INTENDED USE) WDAN-Q1Z11002	TITLE: RIGHT ANTENNA DRAWING
.XXX±	.XXX'±	Q'TY		APPD: C C Wang 02/18'03	DWG NO.: 605-0100-402
THESE DRAWINGS AND SPECIFICATIONS ARE THE PROPERTY OF HON HAI PRECISION IND. CO., LTD. AND SHALL NOT BE REPRODUCED, COPIED OR USED IN ANY MANNER WITHOUT THE PRIOR WRITTEN CONSENT OF HON HAI PRECISION IND. CO., LTD.				CHKD: LXF 02/18'03	SCALE SHEET REV.
				DR:Z.F Lin 01/22'03	N/A 1/3 X1

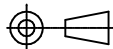
REV.	ECN. NO.	APPD.



X. ±1	X.° ±	UNITS mm	NAME (INTENDED USE) QUANTA Z11 RIGHT	FOXCONN HON HAI PRECISION IND. CO., LTD. TAIPEI, TAIWAN, R.O.C.						
.X ±0.5	.X° ±	MAT'L	PART NO. (INTENDED USE) WDAN-Q1Z11002							
.XX ±0.25	.XX° ±	FINISH	APPD: C C Wang 02/18'03	TITLE: RIGHT ANTENNA DRAWING						
.XXX ±	.XXX° ±		Q'TY	CHKD: LXF 02/18'03	DWG NO.: 605-0100-402					
THESE DRAWINGS AND SPECIFICATIONS ARE THE PROPERTY OF HON HAI PRECISION IND. CO., LTD. AND SHALL NOT BE REPRODUCED, COPIED OR USED IN ANY MANNER WITHOUT THE PRIOR WRITTEN CONSENT OF HON HAI PRECISION IND. CO., LTD.			DR: Z.F Lin 01/22'03	 <table border="1"> <thead> <tr> <th>SCALE</th> <th>SHEET</th> <th>REV.</th> </tr> </thead> <tbody> <tr> <td>N/A</td> <td>2/3</td> <td>X1</td> </tr> </tbody> </table>	SCALE	SHEET	REV.	N/A	2/3	X1
			SCALE	SHEET	REV.					
N/A	2/3	X1								

REV.	ECN. NO.	APPD.



X.±1.0	X°.±	UNITS	mm	NAME(INTENDED USE)	FOXCONN						
.X±0.5	.X°.±	MAT'L		QUANTA Z11 ADAPTER	HON HAI PRECISION IND. CO.,LTD. TAIPEI, TAIWAN, R.O.C.						
.XX±0.25	.XX°.±	FINISH		PART NO.(INTENDED USE)	TITLE:						
.XXX±	.XXX°.±	Q'TY		WDAN-Q1Z11002	LEFT ADAPTOR DRAWING						
THESE DRAWINGS AND SPECIFICATIONS ARE THE PROPERTY OF HON HAI PRECISION IND. CO., LTD. AND SHALL NOT BE REPRODUCED, COPIED OR USED IN ANY MANNER WITHOUT THE PRIOR WRITTEN CONSENT OF HON HAI PRECISION IND. CO., LTD.				APPD:	DWG NO.:						
				C C Wang 02/18'03	605-0100-402						
				CHKD:	 <table border="1"> <thead> <tr> <th>SCALE</th> <th>SHEET</th> <th>REV.</th> </tr> </thead> <tbody> <tr> <td>N/A</td> <td>3/3</td> <td>X1</td> </tr> </tbody> </table>	SCALE	SHEET	REV.	N/A	3/3	X1
SCALE	SHEET	REV.									
N/A	3/3	X1									
				LXF 02/18'03							
				DR:Z.F Lin 01/22'03							