

REV.	ECN. NO.	APPD.
X1		

NOTES:

1. ALL DIMENSIONS SHALL BE INTERPRETED PER ANSI Y14.5M-1982.
2. HARMFUL MATERIAL CONTROL PLEASE FOLLOW DOC.NO."EPI12".
3. DIMENSIONS MARKED ▼ SHALL BE CHECKED.

ITEM	DESCRIPTION	FOXCONN P/N	REMARK	Q'TY
④	EVA SPONGE	085-0003-631		1 PCS
③	PCB	01-01000031-00		1 PCS
②	30 AWG SOLID COAXIAL CABLE	703-3000-291		A/R
①	RF CONNECTOR	SGX0001-00		1 PCS

X.±1	X°±	UNITS	mm	NAME(INTENDED USE)	FOXCONN	
.X±0.5	.X°±	MAT'L		QUANTA Z11S BT	HON HAI PRECISION IND. CO.,LTD. TAIPEI, TAIWAN, R.O.C.	
.XX±0.25	.XX°±	FINISH		PART NO.(INTENDED USE)	TITLE:	
.XXX±	.XXX°±	Q'TY		WDAN-Q1Z11003	INTERNAL DRAWING	
<small>THESE DRAWINGS AND SPECIFICATIONS ARE THE PROPERTY OF HON HAI PRECISION IND. CO., LTD. AND SHALL NOT BE REPRODUCED, COPIED OR USED IN ANY MANNER WITHOUT THE PRIOR WRITTEN CONSENT OF HON HAI PRECISION IND. CO., LTD.</small>				APPD:	DWG NO.:	
				C C Wang 02/18'03	605-0100-400	
				CHKD:		
LXF 02/18'03				SCALE	SHEET	REV.
DR:Z.F Lin 01/22'03				N/A	1/1	X1

1 2 3 4

REV.	ECN.	NO.	APPD.
X1			

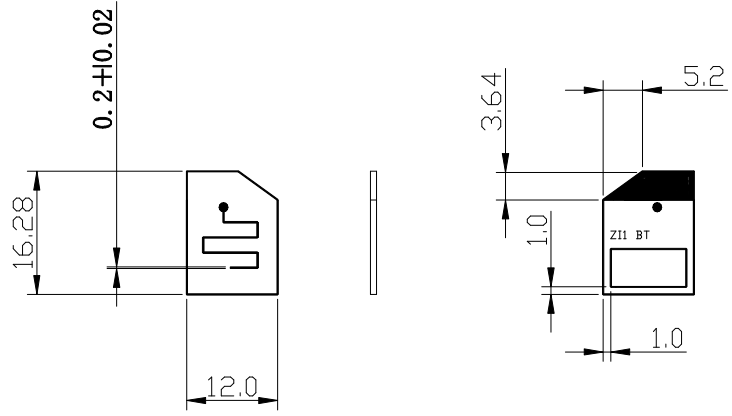
NOTES : UNLESS OTHERWISE SPECIFIED.
 1. DIMENSION SHALL BE INTERPRETED PER ANSI Y14.5M-1982.
 2. ALL DIMENSIONS SHALL BE CHECKED.
 3. HARMFUL MATERIAL CONTROL PLEASE FOLLOW DOC.NO."EPI12".

A A

B B

C C

D D



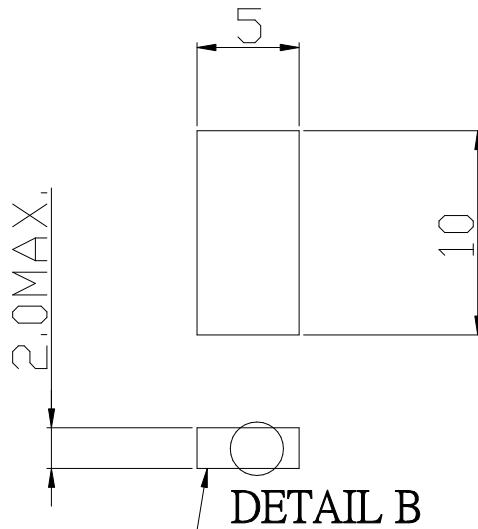
E E

X.±	X°.±	UNITS	mm	NAME(INTENDED USE) MANUFACTURING (FOR QUANTA Z11)	FOXCONN HON HAI PRECISION IND. CO.,LTD. TAIPEI, TAIWAN, R.O.C.						
.X± 0.15	.X°.±	MAT'L									
.XX±	.XX°.±	FINISH		PART NO.(INTENDED USE) 01-01000031-00	TITLE: PCB (FOR LEFT ANTENNA)						
.XXX±	.XXX°.±				APPD: C.C Wang 01/21'03	DWG NO.: 01-01000031-00					
THESE DRAWINGS AND SPECIFICATIONS ARE THE PROPERTY OF HON HAI PRECISION IND. CO., LTD. AND SHALL NOT BE REPRODUCED, COPIED OR USED IN ANY MANNER WITHOUT THE PRIOR WRITTEN CONSENT OF HON HAI PRECISION IND. CO., LTD.			Q'TY	CHKD: C.C Wang 01/21'03	 <table border="1"> <tr> <td>SCALE</td> <td>SHEET</td> <td>REV.</td> </tr> <tr> <td>N/A</td> <td>1/1</td> <td>X1</td> </tr> </table>	SCALE	SHEET	REV.	N/A	1/1	X1
			SCALE	SHEET		REV.					
			N/A	1/1		X1					
	DR: Z.F Lin 01/21'03										

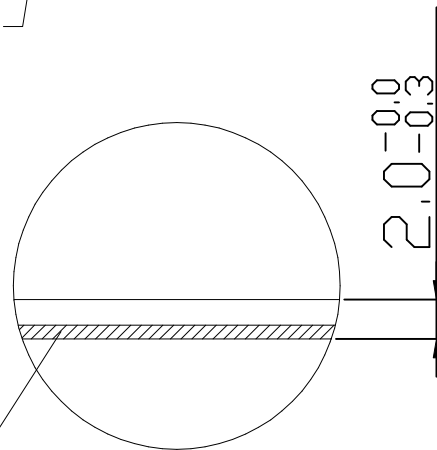
1 2 3 4

REV.	ECN.	NO.	APPD.
A			

- NOTES : UNLESS OTHERWISE SPECIFIED.
1. DIMENSION SHALL BE INTERPRETED PER ANSI Y14.5M-1982.
 2. ALL DIMENSIONS SHALL BE CHECKED.
 3. MATERIAL: SPONGE : EVA.
COLOR : BLACK.
 4. HARMFUL MATERIAL CONTROL PLEASE FOLLOW DOC.NO."EPI12".



SONY T4000 ADHESIVE



SONY T4000 ADHESIVE

X.± 0.5	X°.±	UNITS mm	NAME(INTENDED USE) MANUFACTURING (FOR QUANTA Z11)	FOXCONN HON HAI PRECISION IND. CO.,LTD. TAIPEI, TAIWAN, R.O.C.			
.XX± 0.30	.X°.±	MAT'L	PART NO.(INTENDED USE) 085-0003-631	TITLE: SPONGE TAPE (FOR BT)			
.XXX±	.XX°.±	FINISH	APPD: C.C Wang 01/21'03	DWG NO.: 085-0000-631			
THESE DRAWINGS AND SPECIFICATIONS ARE THE PROPERTY OF HON HAI PRECISION IND. CO., LTD. AND SHALL NOT BE REPRODUCED, COPIED OR USED IN ANY MANNER WITHOUT THE PRIOR WRITTEN CONSENT OF HON HAI PRECISION IND. CO., LTD.		Q'TY	CHKD: C.C Wang 01/21'03		SCALE	SHEET	REV.
			DR: Z.F Lin 01/21'03		N/A	1/1	A