

CELSIUS

.com

EasyGuide

CELSIUS Mobile H

English



Are there ...

... any technical problems or other questions which you would like to be clarified?

Please contact:

- your sales partner
- your sales outlet

Further information can be found in the "Safety, Warranty and Ergonomics" booklet.

The latest information on our products, tips, updates, etc., can be found on the internet under:

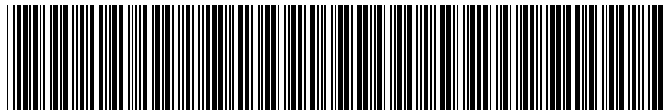
<http://www.fujitsu-siemens.com>



Dieses Handbuch wurde auf Recycling-Papier gedruckt.
This manual has been printed on recycled paper.
Ce manuel est imprimé sur du papier recyclé.
Este manual ha sido impreso sobre papel reciclado.
Questo manuale è stato stampato su carta da riciclaggio.
Denna handbok är tryckt på recyclingpapper.
Dit handboek werd op recycling-papier gedrukt.

Herausgegeben von/Published by
Fujitsu Siemens Computers GmbH

Bestell-Nr./Order No.: **A26391-K115-Z120-1-19**
Printed in the Federal Republic of Germany
AG 1001 10/01



A26391-K115-Z120-1-7619

CELSIUS Mobile H

Operating Manual

Introduction

Important notes

Preparing the workstation
for use

Working with the
workstation

Connecting external
devices

Settings in BIOS Setup

Troubleshooting and tips

Memory expansion

Technical data

Index

August 2001 edition

DPMS and VESA are registered trademarks of Video Electronics Standards Association.

Intel is a registered trademark, Pentium and Celeron are trademarks of Intel Corporation, USA.

Microsoft, MS, MS-DOS, Windows, and Windows NT are registered trademarks of Microsoft Corporation.

OS/2 and PS/2 are registered trademarks of International Business Machines, Inc.

Zip is a trademark of Iomega Corporation.

Bluetooth is a trademark owned by Bluetooth SIG Inc., U.S.A.

Macrovision is a trademark of Macrovision Corporation, USA.

All other trademarks referenced are trademarks or registered trademarks of their respective owners, whose protected rights are acknowledged.

Copyright © Fujitsu Siemens Computers GmbH 2001

All rights, including rights of translation, reproduction by printing, copying or similar methods, in part or in whole, are reserved.

Offenders will be liable for damages.

All rights, including rights created by patent grant or registration of a utility model or design, are reserved.

Delivery subject to availability. Right of technical modification reserved.

Contents

Introduction	1
Notational conventions	2
Important notes	3
Safety	3
Notes on installing and removing boards and modules	5
Manufacturer's notes	6
Copyright-protected technology	6
Energy saving	6
Disposal and recycling	7
CE marking	7
GS symbol	7
Battery storage	7
Transporting the workstation	7
Before you travel	8
Transporting the workstation	8
Cleaning the workstation	9
Preparing the workstation for use	11
Unpacking and checking the delivery	11
Switching on the workstation for the first time	12
Connecting the power adapter and switching on the workstation	13
First-time software installation	14
Working with the workstation	15
Switching the workstation on	15
Switching off the workstation	16
Switching off workstation via operating system	16
Indicators	17
Keyboard	19
Key combinations	21
Preparing the removable radio keyboard for use	23
Operating the removable radio keyboard for use	25
Switching the keyboard on and off	26
Operating the keyboard without a radio connection	26
Indicators on the keyboard	27
Touchpad and touchpad buttons	28
Display settings	29
Battery	30
Performing the battery learning cycle	30
Charging the battery	31
Monitoring charging time	31
Inserting and removing the battery	31
Removing the battery	32
Installing the battery	33
Using the power-management features	34
Energy-saving modes of workstation	35
Operating systems with ACPI (Windows 98, Windows ME und Windows 2000)	35
Operating systems with APM (Windows 95, Windows NT with APM extensions)	36
PHDISK (for Windows 98 and Windows NT only)	37
Additional power-management features	37
Hard disk	38

Contents

Inserting and removing modules	38
Removing modules	38
Installing modules	39
Optical drives	40
Optical drive indicator	40
Inserting or removing a CD/DVD	40
Floppy Disk Drive	41
Working with floppy disks	41
56k-Modem	42
Connecting workstation modem to telephone connection	43
Connecting IEEE1394 (FireWire)	43
PC cards	44
Installing a PC card	44
Removing a PC card	45
SmartCards	45
Inserting a SmartCard	46
Sliding out a SmartCard	47
Microphone and loudspeakers	48
Fingerprint reader	49
Property and data protection	50
Security functions under Windows	50
BIOS Setup security functions	50
Setting passwords	51
Canceling passwords	52
Removable keyboard	52
Kensington Lock	53
Connecting external devices	55
Ports	55
Connecting an external monitor	57
Connecting an external keyboard	58
Connecting an external PS/2 mouse	58
Connecting a serial mouse	58
Using the parallel port	58
Using the serial port	58
Establishing an infrared connection	59
Connecting USB devices	59
Settings in BIOS Setup	61
Start BIOS Setup	61
Operating BIOS Setup	61
Exiting BIOS Setup	62

Troubleshooting and tips	63
Installing new software	63
Saving and restoring system files	63
Restoring the hard disk contents under Windows	63
The workstation's date or time is incorrect	64
Battery indicator does not illuminate	64
The LCD screen of the workstation remains blank	64
The workstation's LCD display is difficult to read	64
The external monitor stays blank	65
The external monitor is blank or the image is unstable	65
The workstation does not start after switch on	66
The workstation stops working.....	66
The mouse does not work.....	67
The floppy disk cannot be written.....	67
The printer does not print.....	67
Acoustic warnings.....	68
Error messages on the screen	68
Memory expansion	71
Removing and installing memory extension	71
Technical data	75
Workstation	75
Battery	76
Power adapter	77
Wireless Keyboard Product Specification	77
Index	79

Introduction

Your CELSIUS Mobile H is a versatile and ergonomic workstation. Innovative technology and ergonomic design make this workstation the ideal user-friendly and reliable travel companion.

To simplify the initial start-up of your workstation, one or two operating systems are preinstalled on the hard disk (dual-installation). If two operating systems are preinstalled, you can select which of the two operating systems you want to install during initial start-up.

The energy-saving processor and the energy-saving functions that can be configured allow you to make the most effective use of the battery capacity.

Your WORKSTATION has 128 -1024 Mbyte of main memory installed, depending on the upgrade level. Data is stored on a hard disk drive. Your workstation is also equipped with a 3 1/2-inch disk drive. Depending on the model, your workstation is delivered with a CD-RW drive, a DVD-ROM drive or a combo drive (CD-RW/DVD). A PC card slot (CardBus or PCMCIA) enables the notebook to operate two type II PC cards or one type III PC card. Depending on the variant, your workstation may be equipped with an internal mini-PCI board.

Your workstation has connectors for external devices such as an external monitor, a printer, and a mouse. The ECP capable parallel port is designed for fast bidirectional data transfer. You can connect peripheral devices such as a scanner, loudspeakers, gamepads, keyboard, or mouse via the two USB ports. In addition, your workstation is equipped with a TV-Out connector to connect to a television.

For mouse control, the workstation has a touchpad with touchpad buttons.

An audio controller, two built in loudspeakers, and a built in microphone provide your workstation with audio functionality. You can thus incorporate voice, noise effects and music into your workstation environment. You can also connect an external microphone and an external loudspeaker.

The system settings of the workstation can be configured via the user-friendly *BIOS Setup* programme. Certain system settings (e.g. screen display, energy saving functions) can be modified via various key combinations while you are using the workstation.

Your workstation has a number of security features to ensure that no unauthorised persons can access your data. For example, you can activate a screen saver with password protection. The security functions in the *BIOS Setup* also allow you to protect your data by means of passwords.

This Operating Manual tells you how to put your workstation into operation and how to operate it in daily use.

Additional information on your workstation is contained in the following documents:

- in the "Safety and Warranty" manual
- in the "Getting Started" manual
- in the documentation of the operating system
- in the information files (e.g. *.TXT, *.DOC, *.WRI, *.HLP)

Notational conventions

The following symbols are used in this manual:



Indicates information which is important for your health or for preventing physical damage. Failure to follow the instructions may lead to loss of data, invalidate your warranty, destroy the notebook, or endanger your life.



Indicates important information which is required to use the system properly.



Text which follows this symbol describes activities that must be performed in the order shown.

This font

indicates screen outputs.

This font

indicates programme names, commands, or menu items.

"Quotation marks"

indicate names of chapters, data carriers, and terms that are being emphasised.

Important notes

Most of the safety information is contained in the "Getting Started" manual. Some of the most important information is outlined below. The manufacturer's notes contain helpful information on your device.

Safety

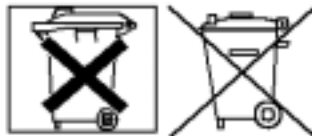
This CELSIUS Mobile Workstation complies with the relevant safety regulations for data processing equipment. If you have any questions, contact your sales outlet or our Help Desk.



Pay attention to the information provided in the manual "Safety and Warranty" and in the following security notes.

Observe the sections in the manual marked with the symbol on the left.

- When connecting and disconnecting cables, observe the relevant notes in this operating manual.
- Only use batteries designed for this notebook.
Do not store batteries for longer periods in the notebook.
Take care not to drop the batteries or otherwise damage their casing (fire risk).
If the rechargeable batteries are defective, they must not be used.
Do not touch the contacts of the batteries.
Never interconnect the positive and negative terminals of a battery.
Used batteries must be disposed of in accordance with local regulations (special waste).
- If a lithium battery (button cell) is installed in the notebook for real-time buffering, please note that:
The lithium battery may only be replaced by authorised, specially trained personnel. Incorrect handling may lead to a risk of explosion.
The lithium battery may be replaced only with an identical battery or with a type recommended by the manufacturer.
The lithium battery must be disposed of in accordance with local regulations concerning special waste.
- All batteries containing pollutants are marked with one of the two symbols below (crossed-out garbage can).



In addition, the marking is provided with the chemical symbol of the heavy metal decisive for the classification as a pollutant.

Cd	Cadmium
Hg	Mercury
Pb	Lead

- During installation and before operating the device, please observe the instructions on environmental conditions in the chapter entitled "Technical data" as well as the instructions in the chapter "Preparing the workstation for use".
- When cleaning the device, please observe the relevant notes in the paragraph "Cleaning the workstation".
- If the workstation is brought into the installation site from a cold environment, condensation can form. Before operating the workstation, wait until it is absolutely dry and has reached approximately the same temperature as the installation site.
- Switch off the workstation and / or the radio keyboard in hospitals or near to an electronic medical system. Do not take the workstation into an operating theatre with the radio keyboard switched on as the radio waves emitted from the keyboard can adversely affect the functioning of electronic medical systems.
- Keep the workstation at a distance of at least 20 cm away from a pacemaker as its proper functioning can be adversely affected by radio waves otherwise.
- Switch off the workstation and / or the radio keyboard whilst driving or whilst on board a flight.
- Do not use the radio keyboard near to flammable gases as they can cause an explosion or a fire.

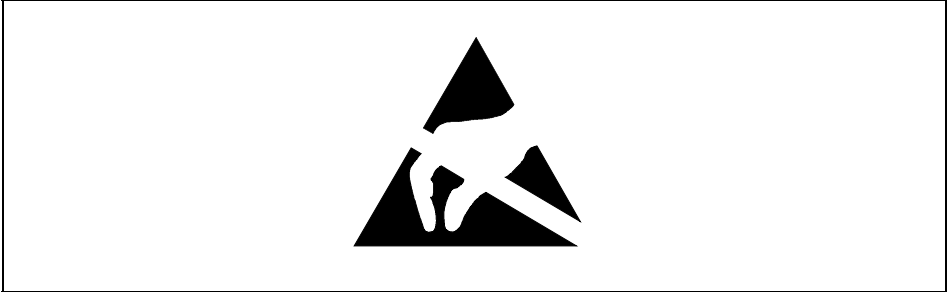
The company Fujitsu Siemens Computers GmbH cannot be held responsible for radio or television faults arising from unauthorised changes made to this device. Fujitsu Siemens is, furthermore, not responsible for replacing and / or exchanging connector cables and devices which have not been specified by Fujitsu Siemens Computers GmbH. The user is solely responsible for repairing faults arising from such unauthorised changes made to a device and for replacing and / or exchanging devices.

Notes on installing and removing boards and modules



Only qualified technicians should repair the device. Unauthorised opening or incorrect repair may greatly endanger the user (electric shock, fire risk).

Boards with electrostatic sensitive devices (ESD) are identifiable by the label shown.



When you handle boards fitted with ESDs, you must, under all circumstances, observe the following points:

- You must statically discharge yourself before working with boards (e.g. by touching a grounded object).
- The equipment and tools you use must be free of static charges.
- Remove the power plug from the mains supply before inserting or removing boards containing ESDs.
- Always hold boards with ESDs by their edges.
- Never touch pins or conductors on boards fitted with ESDs.

Manufacturer's notes

Keep this operating manual together with your device. If you pass on the device to third parties, you should include this manual.

Copyright-protected technology

This product incorporates copyright protection technology that is protected by method claims of certain U. S. patents and other intellectual property rights owned by Macrovision Corporation and other rights owners. Use of this copyright protection technology must be authorised by Macrovision Corporation, and is intended for home and other limited viewing uses only unless otherwise authorised by Macrovision Corporation. Reverse engineering or disassembly is prohibited.

Energy saving

If you will not be using your notebook, switch it off.

Make use of the device's energy saving functions (see "Working with the workstation"). The notebook uses less power when the power management features are enabled. You will then be able to work for longer before having to recharge the battery.

Energy saving under Windows

If a monitor with energy saving features is connected to your notebook, you can use the *Screen Saver* tab to activate the energy saving features of the monitor. Select the following item in the start menu: *Settings - Control Panel - Display - Display Properties - Screen Saver - Energy saving functions for the display*. You can set additional energy saving functions in the start menu by selecting the following item: *Settings - Control Panel - Energy - Extended*.

Energy Star



The notebook from Fujitsu Siemens Computers is designed to conserve electricity by dropping to less than 8 W when it goes into standby/suspend mode and to less than 3 W when it goes into OFF mode. With this level of power management, the notebook qualifies for the U.S. Environmental Protection Agency's (EPA) Energy Star Computers award.

The EPA estimates that computer equipment uses 5 percent of all business electricity and that this is growing rapidly. If all desktop PCs and peripherals enter a low-power mode when not in use, the overall savings in electricity could amount to \$ 2 milliard annually. These savings could also prevent the emission of 20 million tons of carbon dioxide into the atmosphere - the equivalent of 5 million automobiles.

As an Energy Star Partner, Fujitsu Siemens Computers GmbH has determined that this product meets the Energy Star guidelines for energy efficiency.

FCC Class B Compliance Statement

The following statement applies to the products covered in this manual, unless otherwise specified herein. The statement for other products will appear in the accompanying documentation.

NOTE:

This equipment has been tested and found to comply with the limits for a "Class B" digital device, pursuant to Part 15 of the FCC rules and meets all requirements of the Canadian Interference-Causing Equipment Regulations. These limits are designed to provide reasonable protection against harmful interference in a residential installation. This equipment generates, uses and can radiate radio frequency energy and, if not installed and used in strict accordance with the instructions, may cause harmful interference to radio communications. However, there is no guarantee that interference will not occur in a particular installation. If this equipment does cause harmful interference to radio or television reception, which can be determined by turning the equipment off and on, the user is encouraged to try to correct the interference by one or more of the following measures:

- Reorient or relocate the receiving antenna.
- Increase the separation between equipment and the receiver.
- Connect the equipment into an outlet on a circuit different from that to which the receiver is connected.
- Consult the dealer or an experienced radio/TV technician for help.

This device complies with Part 15 of the FCC Rules. Operation is subject to the following conditions: (1) This device may not cause harmful interference, and (2) this device must accept any interference received including interference that may undesired operation.

The user's manual or instruction manual for an international or uninternational radiator shall caution the user that changes or modifications not expressly approved by the party responsible for compliance could void the user's authority to operate the equipment.

FCC Radiation Exposure Statement:

This equipment complies with FCC radiation exposure limits set forth for an uncontrolled environment. This device and its antenna(s) must not be co-located or operating in conjunction with any other antenna or transmitter.

Fujitsu Siemens Computers GmbH is not responsible for any radio or television interference caused by unauthorised modifications of this equipment or the substitution or attachment of connecting cables and equipment other than those specified by Fujitsu Siemens Computers GmbH. The correction of interference caused by such unauthorised modification, substitution or attachment will be the responsibility of the user.

The use of shielded I/O cables is required when connecting this equipment to any and all optional peripheral or host devices. Failure to do so may violate FCC rules.

Radio and Telecom Terminal Equipment Directive 1999/5/EC as per

- CTR21 (if fitted with a modem device)
- ETS 300 328-2 (if fitted with a 2.4 GHz band embedded wireless device)
- ETS 301 489-1 (if fitted with a 2.4 GHz band embedded wireless device)
- ETS 301 489-17 (if fitted with a 2.4 GHz band embedded wireless device)

European radio approval information (for products fitted with EU-approved radio devices)

This Product is a Notebook computer; low power, Radio LAN type devices (radio frequency (RF) wireless communication devices), operating in the 2.4 GHz band, may be present (embedded) in your notebook system which is intended for home or office use. This section is only applicable if these devices are present. Refer to the system label to verify the presence of wireless devices.

Wireless devices that may be in your system are only qualified for use in the European Union or associated areas if a CE mark with a Notified Body Registration Number and the Alert Symbol is on the system label. The power output of the wireless device or devices that may be embedded in your notebook is well below the RF exposure limits as set by the European Commission through the R&TTE directive. European States qualified under wireless approvals:

European States with restrictions on use:

EU Austria, Belgium, Denmark, Finland, France (with frequency restrictions), Germany, Greece, Ireland, Italy, Luxembourg, The Netherlands, Portugal, Spain, Sweden and the United Kingdom.

Accept EU Iceland, Liechtenstein, Norway and Switzerland

EU In France, the frequency range is restricted to 2446-2483.5 MHz for devices above 10 mW transmitting power such as wireless LAN

Accept EU No limitations at this time.

The following section is a general overview of considerations while operating a wireless device.

Additional limitations, cautions, and concerns for specific countries are listed in the specific country sections (or country group sections). The wireless devices in your system are only qualified for use in the countries identified by the Radio Approval Marks on the system rating label. If the country you will be using the wireless device in, is not listed, please contact your local Radio Approval agency for requirements. Wireless devices are closely regulated and use may not be allowed.

The power output of the wireless device or devices that may be embedded in your notebook is well below the RF exposure limits as known at this time. Because the wireless devices (which may be embedded into your notebook) emit less energy than is allowed in radio frequency safety standards and recommendations, Gateway believes these devices are safe for use. Regardless of the power levels, care should be taken to minimize human contact during normal operation. As a general guideline, a separation of 20 cm (8 inches) between the wireless device and the body, for use of a wireless device near the body (this does not include extremities) is typical. This device should be used more than 20 cm (8 inches) from the body when wireless devices are on and transmitting. Some circumstances require restrictions on wireless devices. Examples of common restrictions are listed below:

1. Radio frequency wireless communication can interfere with equipment on commercial aircraft. Current aviation regulations require wireless devices to be turned off while traveling in an airplane. 802.11B (also known as wireless Ethernet or Wifi) and Bluetooth communication devices are examples of devices that provide wireless communication.
2. In environments where the risk of interference to other devices or services is harmful or perceived as harmful, the option to use a wireless device may be restricted or eliminated. Airports, Hospitals, and Oxygen or flammable gas laden atmospheres are limited examples where use of wireless devices may be restricted or eliminated. When in environments where you are uncertain of the sanction to use wireless devices, ask the applicable authority for authorization prior to use or turning on the wireless device.
3. Every country has different restrictions on the use of wireless devices. Since your system is equipped with a wireless device, when traveling between countries with your system, check with the local Radio Approval authorities prior to any move or trip for any restrictions on the use of a wireless device in the destination country.

4. If your system came equipped with an internal embedded wireless device, do not operate the wireless device unless all covers and shields are in place and the system is fully assembled
5. Wireless devices are not user serviceable. Do not modify them in any way. Modification to a wireless device will void the authorization to use it.
6. Only use drivers approved for the country in which the device will be used.

This Information Technology Equipment has been tested and found to comply with the following European directives:

- EMC Directive 89/336/EEC with amending directives 92/31/EEC & 93/68/EEC as per
 - EN 55022 Class B
 - EN 61000-3-2
 - EN 61000-3-3
 - EN 55024

Declaration of Conformity (DoC)
according to the Directive 99/5/EC (R&TTE)

CE 0678 

Intended use: Notebook PC with Bluetooth keyboard

**To be used in: Austria, Belgium, Denmark, Finland, France,
Germany, Spain, Italy, Luxembourg, The Netherlands, Switzerland,
Greece, Norway, Sweden UK, Portugal, Iceland, Ireland**

Use may be subject to licensing

Usage may be constrained in certain countries

NOTE:

Please refer to the Declaration of Conformity on the last page of the manual.

Disposal and recycling

This device has been manufactured to the highest possible degree from materials which can be recycled or disposed of in a manner that is not environmentally damaging. The device may be taken back after use to be recycled, provided that it is returned in a condition that is the result of normal use. Any components not reclaimed will be disposed of in an environmentally acceptable manner.

Do not throw lithium batteries into the household waste. They must be disposed of in accordance with local regulations concerning special waste.

If you have any questions on disposal, please contact your local office, our Hotline/Help Desk, or:

Fujitsu Siemens Computers GmbH
Recyclingcenter
D-33106 Paderborn

Tel: +49 5251 81 80 10

Fax: +49 5251 81 80 15

CE marking



The shipped version of this device complies with the requirements of the EEC directives 89/336/EEC "Electromagnetic compatibility" and 73/23/EEC "Low voltage directive".

GS symbol

In normal screen mode (dark characters against a light background) the LCD panel satisfies the ergonomic requirements for the GS symbol.

Battery storage



If you do not use the batteries for long periods, remove them from the workstation. Never store the batteries in the unit.

Store the battery in a fully charged state. The battery should be stored in a dry area at a temperature between 0°C and +30°C. The lower the temperature at which the batteries are stored, the lower is the rate of self-discharge.

If storing for a long period of time (longer than two months) batteries should be fully charged before storage.

To be able to use the optimum battery charging capacity, you should work in the battery mode until the battery is completely discharged, and then recharge the battery.

Transporting the workstation

Please observe the points listed below when transporting your workstation.

Before you travel



As the removable keyboard is operated by a radio connection, your workstation may not be switched on during a flight.

Switch off the keyboard also (see chapter "Switching the keyboard on and off").

- Copy important data from the hard disk onto a floppy disk.
- If you are travelling abroad, ensure that the power adapter can be operated with the local mains voltage. If this is not the case, obtain the appropriate power adapter for your workstation. Do not use any other voltage converter!



If you travel in another country, check whether the local power supply and the specifications of the power cable are compatible. If this is not the case, buy a power cable that matches the local conditions. Do not use a connection adapter for electrical devices to connect the workstation.

If you use a modem, incompatibilities with the local telecommunications system may result.

Transporting the workstation

- Remove all data carriers (e.g. floppy disk, CD) from the drives.
- Switch off the workstation.
- Unplug the power adapter and all peripheral devices from the mains outlet.
- Disconnect the power adapter cable and the data cables of all peripheral devices.
- Close the LCD display of the workstation so that it locks into place.
- If the notebook needs to be shipped, use the original packaging or other suitable packaging to protect it from damage caused by mishandling.
- To protect against damaging jolts and bumps, use a carrying case to transport your workstation.
- Protect the workstation from severe shocks and extreme temperatures (e.g., direct sunlight in a car).

Cleaning the workstation

- ▶ Switch off the workstation.
- ▶ Pull the power plug of the network adapter out of the mains outlet.
- ▶ Remove the battery.
How to remove the battery is described in the section "Inserting and removing the battery".



Do not clean any interior parts yourself; leave this job to a service technician.

Do not use any cleaning agents that contain abrasives or may corrode plastic.

Ensure that no liquid enters the workstation.

Wipe the casing with a dry cloth.

If particularly dirty, use a cloth that has been moistened in mild domestic detergent and then carefully wrung out.

To clean the keyboard and the touchpad, you can use disinfectant wipes.

Wipe the LCD screen with a soft, moistened cloth.

Preparing the workstation for use



Please read the chapter "Important notes".

Before you can work with your workstation, you need to charge the battery and install and configure the delivered software. The operating system and drivers required are preinstalled.

Upon delivery, the battery can be found in the battery compartment and is not charged. You need to charge the battery if you want to operate your workstation with a rechargeable battery.

If you use the workstation in a normal office situation, run it off the mains using the power adapter.

Unpacking and checking the delivery

- ▶ Unpack all the individual parts.
- ▶ Check the delivery for damage incurred during transportation.
- ▶ Check whether the delivery agrees with the details in the delivery note.



Should you discover that the delivery does not correspond to the delivery note, notify your local sales outlet immediately.

Do not discard the original packing material of the devices. Keep the original packing material in case you need to ship the equipment again.

Switching on the workstation for the first time

When you switch on your workstation for the first time the supplied software is installed and configured. You should plan some time for this, as this process must not be interrupted.



Do not place the workstation on a soft surface (e.g., a carpet or soft furnishings). The space between the workstation's feet must be clear. Place the workstation on a flat, stable, nonslippery surface.

Do not place the power adapter on heat-sensitive material.

The workstation and the power adapter should be at least 200 mm apart.

Keep other objects 100 mm away from the workstation and its power adapter to ensure adequate ventilation.

Never cover the fan intake or exhaust openings of the workstation or the power adapter.

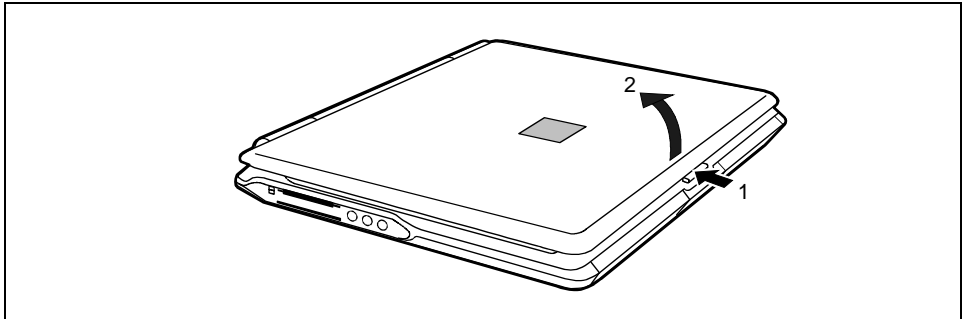
The power cable supplied conforms to the requirements of the country in which you purchased your workstation. Make sure that the power cable is approved for use in the country in which you intend to use it.

The power adapter's AC cord should only be connected to a mains outlet if the workstation is already connected to the power adapter.

Do not expose the workstation to extreme environmental conditions. Protect it from dust, humidity and heat.

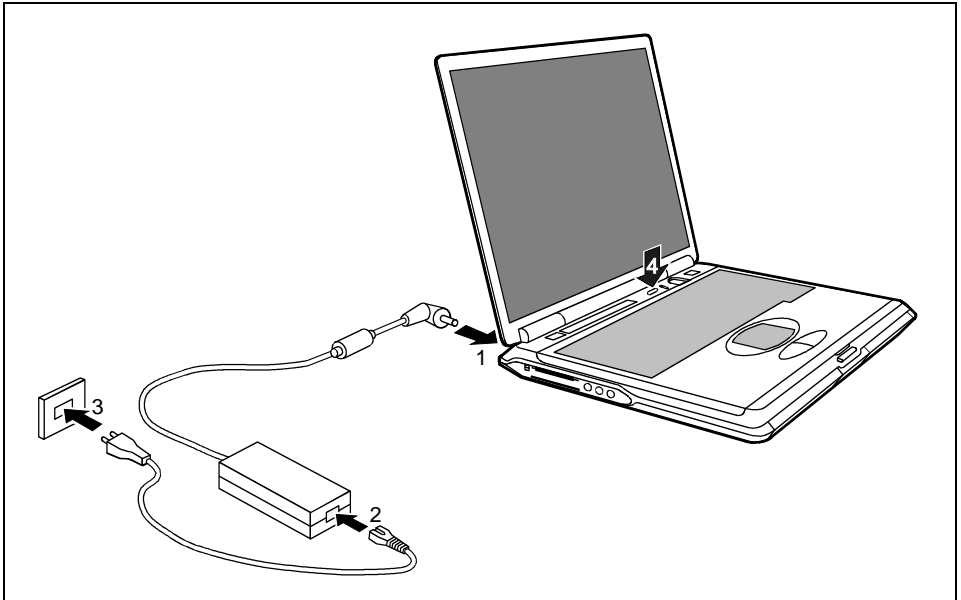
Upon delivery, the battery can be found in the battery compartment and is not charged.

- ▶ Place the workstation on a flat, stable, nonslippery surface.



- ▶ Press the release button (1) and open the LED display panel (2).

Connecting the power adapter and switching on the workstation



Use only the the power adapter provided.

- ▶ Plug the DC output connector on the power adapter into the DC input connector (DC IN) on the workstation (1).
- ▶ Connect the power cable to the power adapter (2).
- ▶ Plug the power cable into the mains supply (3).

The power indicator  on the workstation should illuminate. The battery will charge.

- ▶ Press the Suspend/Resume button (4), and release it again.
The Suspend/Resume button functions like an ON/OFF switch.

The power-on indicator  on the workstation lights up.



After switch-on a self-test (POST, Power On Self Test) is automatically carried out. Never switch the workstation off during the self-test.

First-time software installation



Leave the external power adapter connected to your workstation during the initial installation.

Once the installation has been started the workstation must not be switched off!

During installation the workstation may only be rebooted when you are requested to do so!

- ▶ During installation, follow the instructions on screen.

Consult the operating system manual if there is anything unclear about the requested input data.



You will find further information about the system, drivers, utilities, updates, manuals etc. on the "CELSIUS Mobile Driver CD" supplied.

Working with the workstation

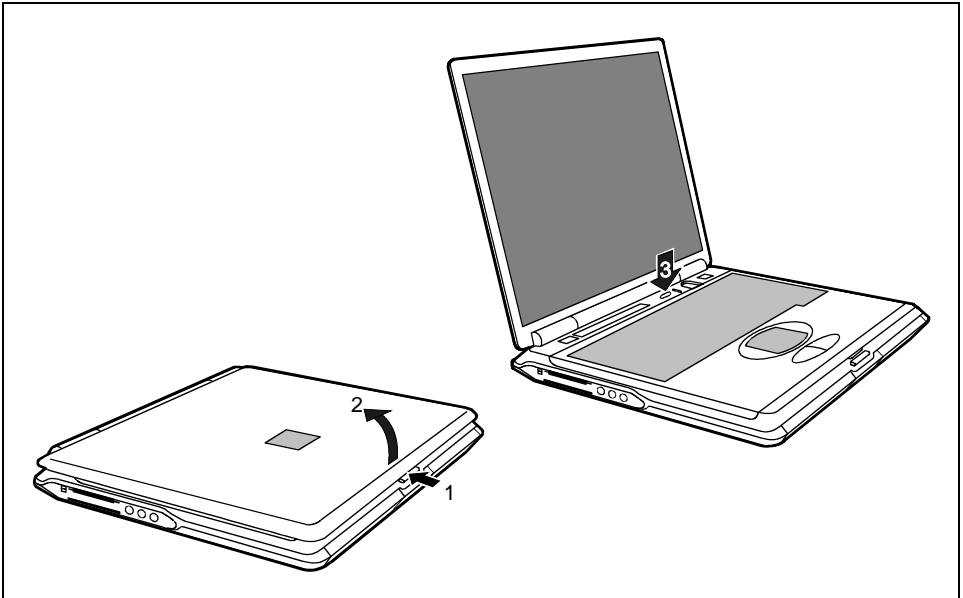
This chapter describes the basics for operating your workstation.

The chapter on "Connecting external devices" has instructions on how to connect external devices (e.g. mouse, printer) to the workstation.



Please take note of the information in the chapter "Important notes".

Switching the workstation on



- ▶ Press the release button (1) and open the LED display panel (2).
- ▶ Press the Suspend/Resume button to switch on the workstation (3).

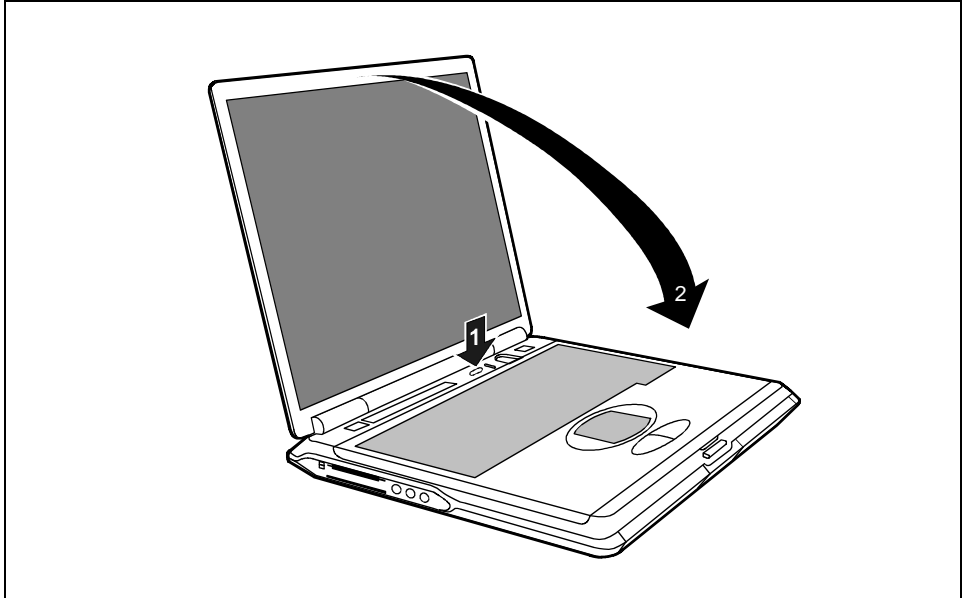
The power-on indicator  on the workstation lights up.



You can configure the Suspend/Resume button under *Start - Settings - Control Panel - Power Options - Power Options Properties*.

If you have assigned a password, you must enter this when requested to do so, in order to start the operating system password.

Switching off the workstation



- ▶ Shut down the operating system properly.
If the workstation is not switched off automatically, press the Suspend/Resume button (1) and release it again.
- ▶ Immediately press the Suspend/Resume button again once, and hold it down for approximately four seconds until you hear an acoustic signal.

The workstation is switched off.

- ▶ Close the LCD display of the workstation (2) so that it locks into place.

Switching off workstation via operating system

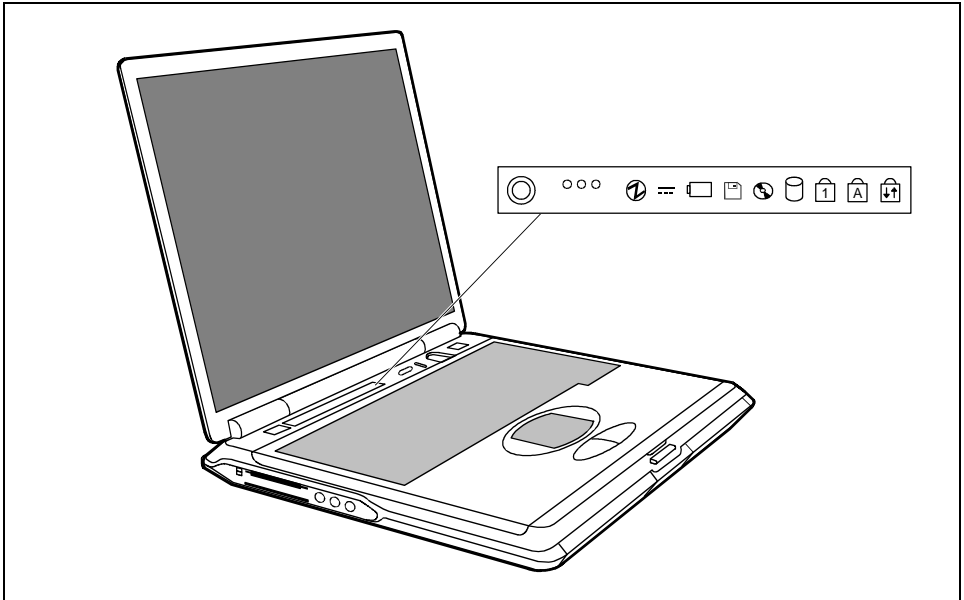
How you can switch off your workstation via the operating system is dependent on the settings of the power-management feature. Additional information is contained in the section "Removing the battery" in this chapter.



Save all open files before switching the workstation into the Standby mode to avoid data loss when the workstation remains switched off for a longer time.

Indicators

The following icons appear in the display field of your workstation:



The meanings of the symbols are as follows:



Power-on indicator

- The indicator lights up: The workstation is on.
- The indicator flashes (1 second on / 1 second off): The workstation is in energy-saving mode.
- The indicator is dark: The workstation is switched off.



Power indicator

The power adapter is supplying power to the workstation.



Battery indicator

The battery charge state is indicated in the status indicator panel.



Indicator PC card 1

The indicator lights up when a PC card disk in slot 1 is being accessed. You must not remove the PC card from the slot when this indicator is lit.

**Indicator PC card 2**

The indicator lights up when a PC card disk in slot 2 is being accessed. You must not remove the PC card from the slot when this indicator is lit.

**Hard disk indicator**

The indicator lights up when the hard disk drive is being accessed.

**Floppy disk drive indicator**

The indicator lights up when a floppy disk in the floppy disk drive is being accessed. You must not remove the floppy disk from the floppy disk drive when this indicator is shown.

**Optical drive indicator**

The indicator is lit when the CD/DVD in the optical drive is being accessed. You must not remove the CD/DVD from the drive when this indicator is lit.

**CapsLK indicator (Caps Lock)**

The **[Caps Lock]** key has been pressed. All the characters you type appear in uppercase. In the case of overlay keys, the character printed on the upper left of the key appears when that key is pressed.

**Scroll indicator (Scroll Lock)**

The **[Scroll Lock]** key has been pressed. The effect this key has varies from programme to programme.

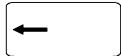
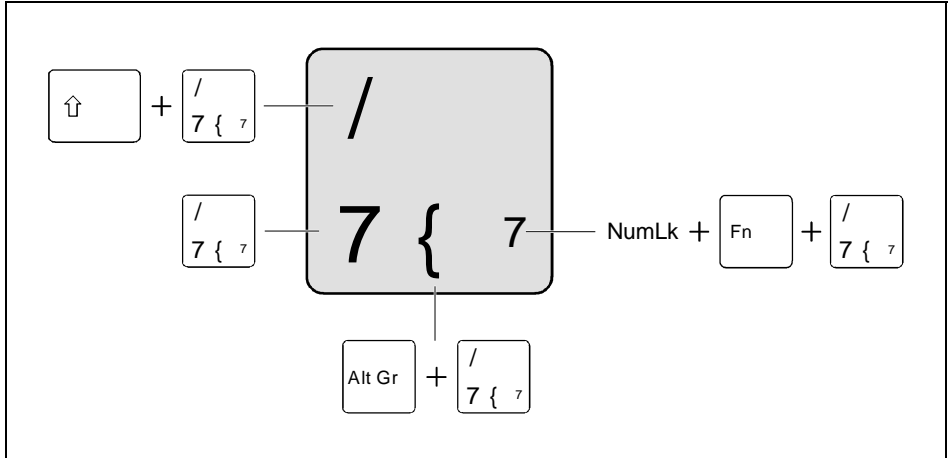
**NumLK indicator (Num Lock)**

The key combination **[Fn] + [Num LK]** has been pressed. The numbers on the lower left on keys in the integrated numeric keypad are enabled.

Keyboard

The following description of keys refers to Windows. Additional functions supported by the keys are described in the relevant manuals supplied with your application programmes.

The figure below shows how to access the different characters on keys with overlaid functions. The example applies when the CapsLK indicator is not lit.



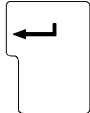
Backspace key

The Backspace key deletes the character to the left of the cursor.



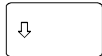
Tab key

The Tab key moves the cursor to the next tab stop.



Enter key (return)

The enter key terminates a command line. The command you have entered is executed when you press this key.



Caps Lock key

The Caps Lock key activates uppercase mode (CapsLK indicator lit). The Caps Lock function causes all the characters you type to appear in uppercase. In the case of overlay keys, the character printed on the upper left of the key appears when that key is pressed.

To cancel the Caps Lock function, simply press the Caps Lock key again.



Shift key

The Shift key causes uppercase characters to appear. In the case of overlay keys, the character on the upper left of the keycap appears when that key is pressed.



Alt Gr key

The **Alt Gr** key causes the characters in the lower middle of the keycap to appear (e.g. { in the case of the **7** key shown on the example keyboard).

**Fn key**

The **[Fn]** key enables the special functions indicated on overlay keys (see "Key combinations").

If the external keyboard does not feature an **[Fn]** key, you can simultaneously press the **[Ctrl]** + **[Alt Gr]** keys or the **[Ctrl]** + **[Alt]** keys.

**Cursor keys**

The cursor keys move the cursor in the direction of the arrow, i.e. up, down, left, or right.

**Pause key**

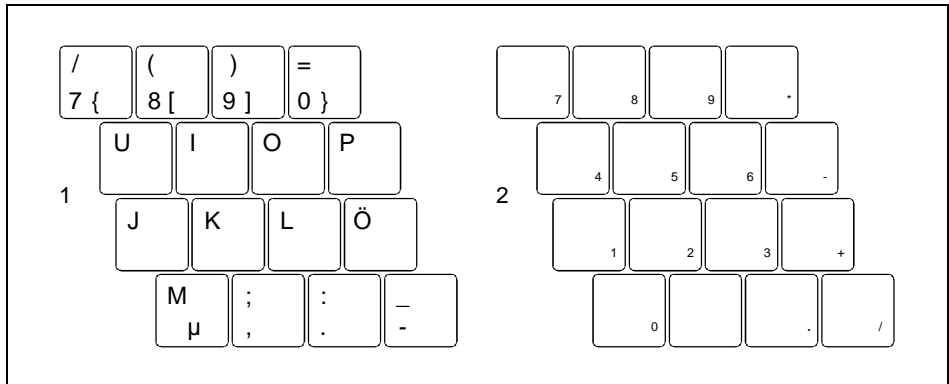
The **[Pause]** key temporarily suspends display output. Output will resume when you press any other key.

**Start key**

The Start key invokes the Windows Start menu.

**Menu key**

The Menu key invokes the menu for the marked item.

Numeric keypad

1 = Characters enabled when NumLK indicator is not lit (see "Indicators").

2 = Characters enabled when NumLK indicator is lit (see "Indicators").

If the numeric keypad is enabled (NumLK indicator is lit) and you hold down the **[Fn]** key, you can output the characters printed in blue on the bottom right of the keys.

Key combinations

The following description of key combinations refers to functions when using Microsoft Windows. Some of the following key combinations may not function in other operating systems and with some device drivers.

Other key combinations are described in the relevant manuals supplied with your application programmes.

Key combinations are performed as follows:

- ▶ Press and hold the first key in the combination.
- ▶ While holding the first key down, press the other key or keys in the combination.

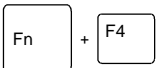


If the external keyboard does not feature an **[Fn]** key, you can simultaneously press the **[Ctrl] + [Alt Gr]** keys or the **[Ctrl] + [Alt]** keys.



Enlarge MS-DOS screen

This key combination enlarges the screen in the MS-DOS mode to the full-screen mode or switches it back to the normal display mode.



Switch internal touchpad on/off

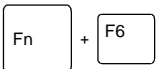
This key combination enables and disables the touchpad function. To do this, set the setting *Internal Pointing Device* to *Auto Disabled* in the *BIOS Setup* in the menu *Advanced - Keyboard/Mouse Features*.



Switch Speed Skp© mode on

This key combination switches between the possible speed Skp© modes:

- Maximum power
- Battery-optimised power (reduced process speed in battery mode)



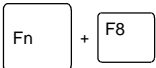
Switching the loudspeakers on/off

This key combination switches your notebook's integrated loudspeakers off and on.



Increasing the volume

This key combination raises the volume of the integrated loudspeakers.



Reducing the volume

This key combination reduces the volume of the integrated loudspeakers.



LCD off

This key combination switches off the LCD screen to save power.



Switching between internal and external screen

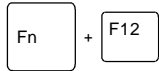
If an external monitor is connected, the monitor on which the output is to be displayed can be selected with this key combination. You can opt to use:

- just the workstation's LCD screen
- just the external monitor
- both the LCD screen and the external monitor.

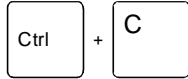


Increasing screen brightness

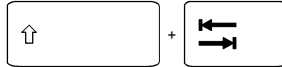
This key combination increases screen brightness.

**Decreasing screen brightness**

This key combination decreases screen brightness.

**Halting the current operation**

This key combination can be used to halt an operation instantly without clearing the keyboard buffer.

**Backtab (Shift+Tab)**

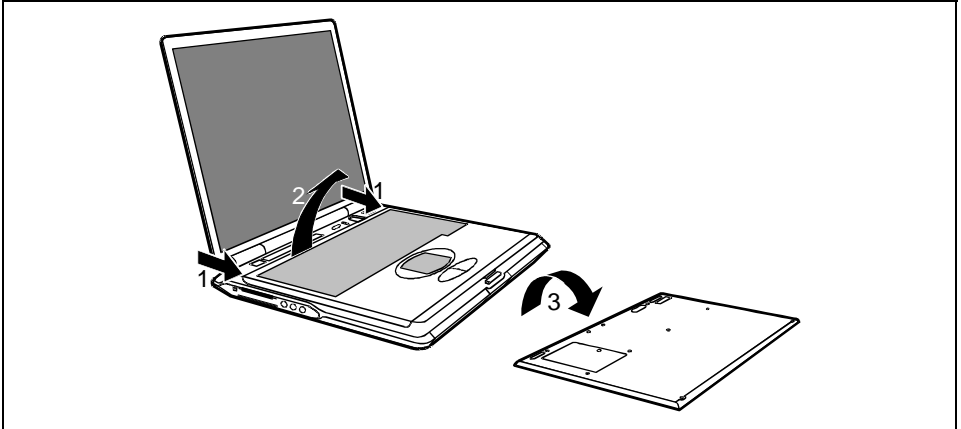
This key combination moves the cursor back to the previous tabular stop.

**Carrying out a warm boot****Warm boot**

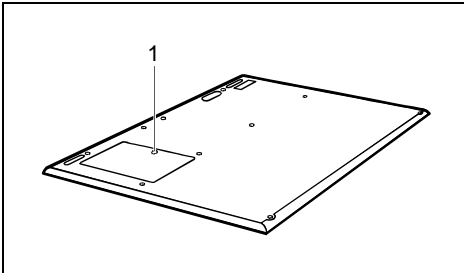
This key combination restarts the workstation. First hold down the **Ctrl** and **Alt** key, and then press the **Del** key. With Windows 98, Windows 2000, Windows ME and Windows NT Task Manager appears first. Then you must press all three keys again to re-boot.

Preparing the removable radio keyboard for use

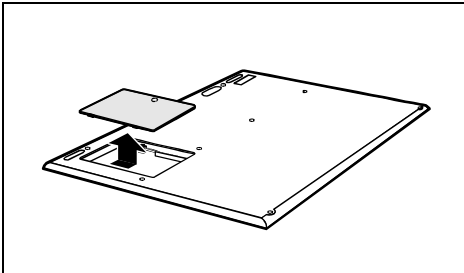
Before using your CELSIUS Mobile H workstation, you must fit or connect a battery in the removable keyboard. You do this as follows:



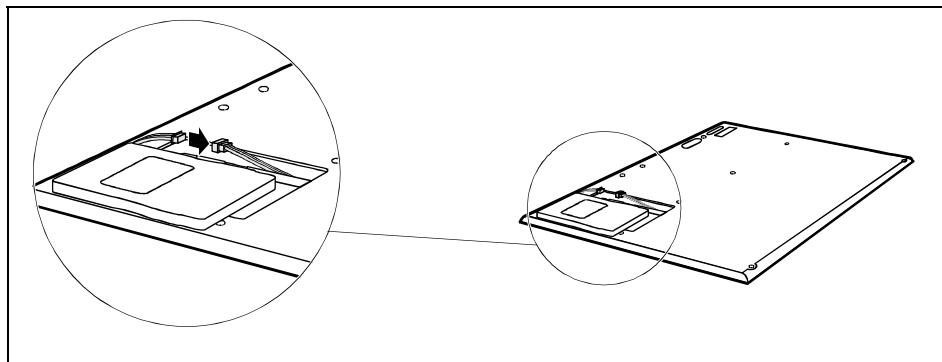
- ▶ Lift the keyboard at the two positions indicated (1).
- ▶ Remove the keyboard in the direction of the arrow (2).
- ▶ Turn the keyboard over (3).



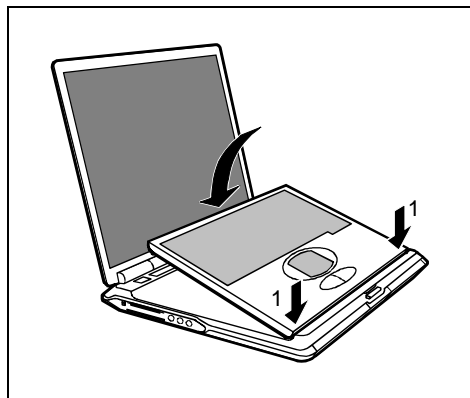
- ▶ Open the battery compartment at the rear of the keyboard.



- ▶ Lift off the battery cell cover.

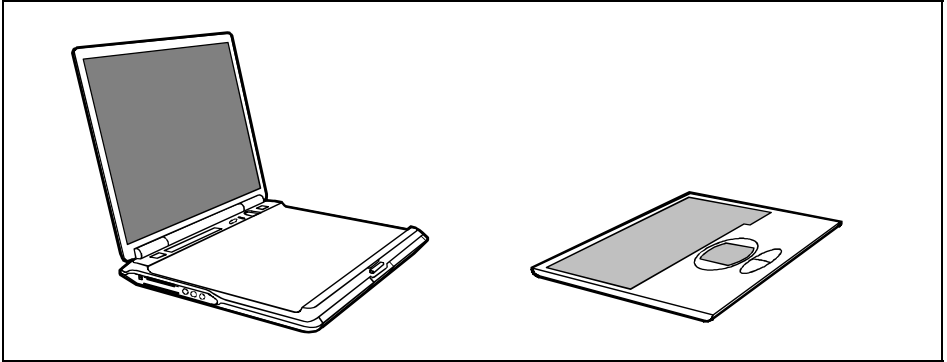


- ▶ Plug the battery connector into the connector in the battery compartment.
- ▶ Close the battery compartment.



- ▶ Hold the keyboard at an angle and ensure that the pins (1) fit into the matching recesses.

Operating the removable radio keyboard for use



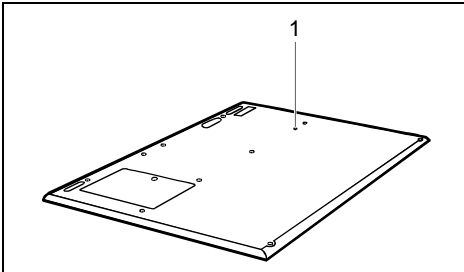
The keyboard can be removed as described above.

The keyboard is permanently linked to the workstation by means of a wireless connection. The right-hand indicator on the keyboard lights as soon as a wireless connection is established. No keyboard input is possible until the indicator lights. Occasionally it can take up to 15 seconds to establish a connection (normally 2 to 5 seconds).

The battery indicator is on when the battery is charging. The battery is charged only when the keyboard is attached to the workstation. The battery indicator flashes if the battery is low and the keyboard is removed. Re-attach the keyboard so that the battery can recharge.

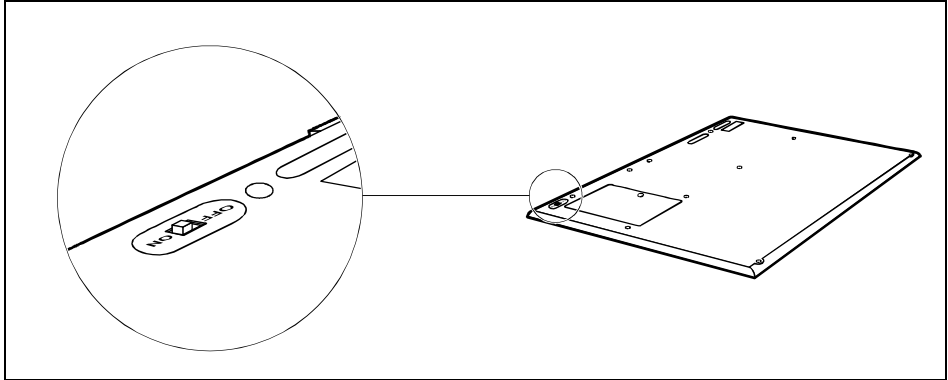


Place the keyboard on the device as often as possible so that the battery can be charged.



If you cannot establish a wireless connection between the keyboard and the workstation, press the Reset button on the rear of the keyboard (hole on the rear of the keyboard).

Switching the keyboard on and off



- ▶ Switch the keyboard ON or OFF with the ON/OFF switch.

Switch off the keyboard whenever you do not intend to use it for a prolonged period of time or whilst on board a flight.

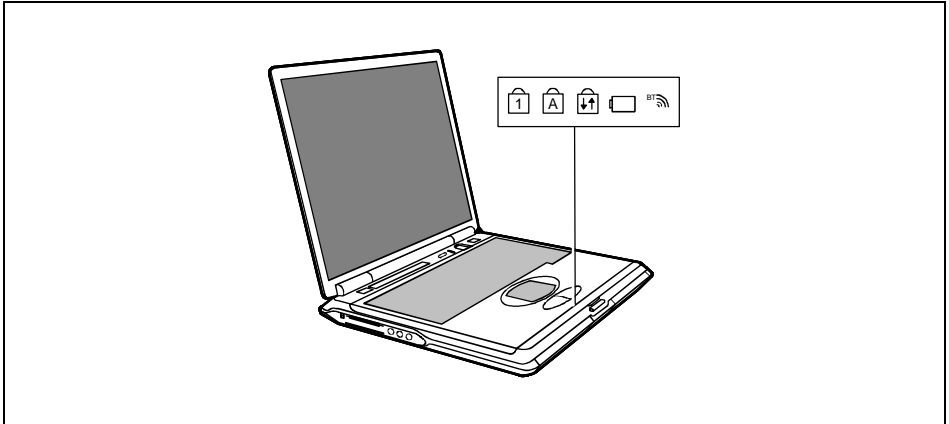
Operating the keyboard without a radio connection



Since the removable keyboard is operated by a radio connection, your workstation may only be switched on during a flight if you operate the workstation without a radio connection in the way described.

- ▶ Connect the PS/2 lead cable supplied to the right-hand port on the keyboard and to the CELSIUS Mobile Workstation.

Indicators on the keyboard



NumLK indicator (Num Lock)



CapsLK indicator (Caps Lock)



Scroll indicator (Scroll Lock)



Rechargeable battery indicator keyboard



Radio connection



Rechargeable battery indicator keyboard

Shows how much charge the battery has left.

- The indicator lights up:
The battery is charging.
- The indicator flashes:
The battery is nearly empty.

Place the keyboard on the workstation again so that the battery can be recharged.



NumLK indicator (Num Lock)

The key combination **[Fn] + [Num LK]** has been pressed. The numbers on the lower left on keys in the integrated numeric keypad are enabled.



CapsLK indicator (Caps Lock)

The Caps Lock key has been pressed. All the characters you type appear in uppercase. In the case of overlay keys, the character printed on the upper left of the key appears.



Scroll indicator (Scroll Lock)

The **[Scr]** key has been pressed. This key has varies from programme to programme.



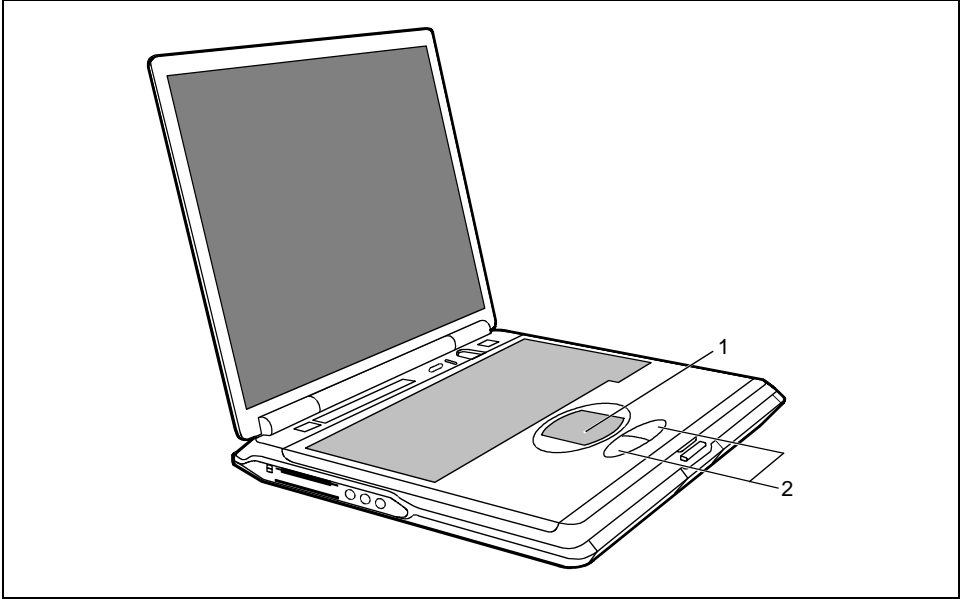
Radio connection indicator

- The indicator lights up:
The radio connection is active.

Keyboard input with touchpad and touchpad buttons is only possible if the indicator is lit.

Touchpad and touchpad buttons

The touchpad enables you to move the mouse pointer on the screen. The two touchpad buttons allow the selection and execution of commands. They correspond to the buttons on a conventional mouse.



1 = Touchpad

2 = Touchpad buttons

Moving the pointer

- ▶ Move your finger on the touchpad.

Selecting

- ▶ Tap the touchpad once or press the left button once.

Executing a command

- ▶ Tap the touchpad twice or press the left button twice.

Dragging an object

- ▶ Move the pointer to the item you wish to select.
- ▶ Select the desired object, and leave your finger on the touchpad.
- ▶ Drag the object to the desired position.
- ▶ Lift your finger from the touchpad.

Display settings

Setting the desktop area

You can change the screen resolution under *Start - Settings - Control Panel - Display - Settings* and then selecting from the *Resolution* field.

Adjusting the font size

Under *Start - Settings - Control Panel - Display - Settings* you can choose between a larger and a smaller font in the *Font size* field.

Adjusting the speed of the mouse pointer

You can change the speed of the mouse pointer under *Start - Settings - Control Panel - Mouse* and clicking on the *Motion* tab.

Setting the display brightness

You can adjust the brightness of your LCD screen with the keys **Fn** and **F12** or **Fn** and **F11**:
With **Fn** and **F12**, screen brightness will be reduced and with **Fn** and **F11** increased.

Synchronising the display on the LCD screen and an external monitor

Your workstation supports the simultaneous display on the LCD monitor and an external monitor. If the picture does not appear correctly on the LCD monitor, press the key combination **Fn** + **F10** several times, or switch the external monitor off and then on again. This achieves good picture synchronisation.

Battery

The battery is one of the most important components of your workstation. When not plugged into a mains outlet, the workstation runs on its built-in battery. You can increase the life of the battery by caring for the battery properly. The average battery life is around 500 charge/discharge cycles. You can extend the battery life by taking advantage of the available energy saving functions.



Only use batteries released for your workstation.

Take care not to drop the batteries or otherwise damage their casing (fire risk).

If the rechargeable batteries are defective, they must not be used.

Do not touch the contacts of the batteries.

Never interconnect the positive and negative terminals of a battery.

Used batteries must be disposed of in accordance with local regulations (special waste).

Observe the information on battery storage in the chapter "Important notes".

Performing the battery learning cycle

The battery contains electronics that continuously monitor the battery charging level and display the current charging level. To compensate for measuring errors in the electronics, and because the chemical properties of the battery change over time, the electronics must be recalibrated regularly. This calibration is carried out using a battery learning cycle. Using the battery learning cycle ensures that the maximum battery capacity can always be used. During the learning cycle a defined charging cycle is carried out.



The battery learning cycle lasts between four and six hours and must not be aborted. During this period you can not work with the workstation!

- ▶ Restart the workstation (switching On/Off or warm boot).

The following display briefly appears on the screen during start-up:

```
<ESC> Diagnostic screen <F12> Boot Menu <F2> BIOS Setup <F6> Battery learning
```

- ▶ Press function key **F6**.

The learning cycle is started. When the learning cycle is ended, a corresponding message is displayed.

Charging the battery

The battery indicator displays the remaining battery charge (see the section "Indicators"). When you switch on the workstation, it takes a few seconds before the battery status is displayed.

You can charge the battery by connecting the workstation to the power adapter (see "Connecting the power adapter and switching on the workstation").

The battery can only be charged when the ambient temperature is between 5°C and max. 35°C.

With the workstation switched on and off, the battery will completely recharge in approximately three to four hours.

Work in the battery mode until an acoustic warning prompts you to recharge and the battery indicator begins to flash. The workstation battery should not be charged before this point.

If you do not connect the power adapter within five minutes of the signals described above, your workstation automatically switches itself off.

Monitoring charging time

The remaining battery charge is indicated by the battery symbol in the status indicator panel (see the section "Indicators"). When you switch on the workstation, it takes a few seconds before the battery status is displayed.

During mobile operation you can also use a "battery charge meter" for energy-saving monitoring under Windows.

A battery icon is shown in the taskbar. When you position the cursor on the battery icon, the battery charge level is displayed with a blue status bar. This blue bar progressively decreases as the battery discharges.

Inserting and removing the battery



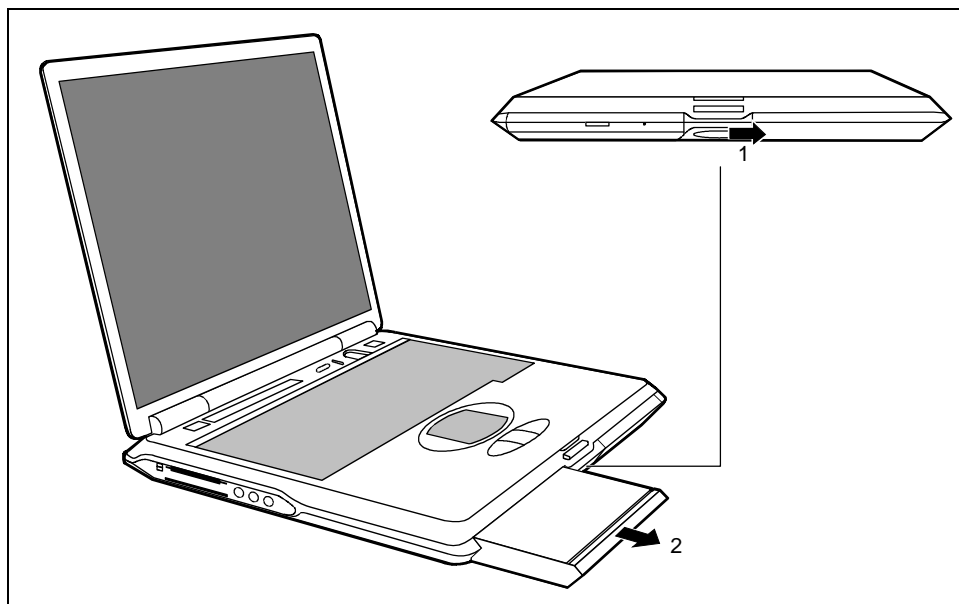
Only use batteries released for this workstation.

Never use force when inserting or removing a battery.

Make sure that no foreign objects enter the slots.

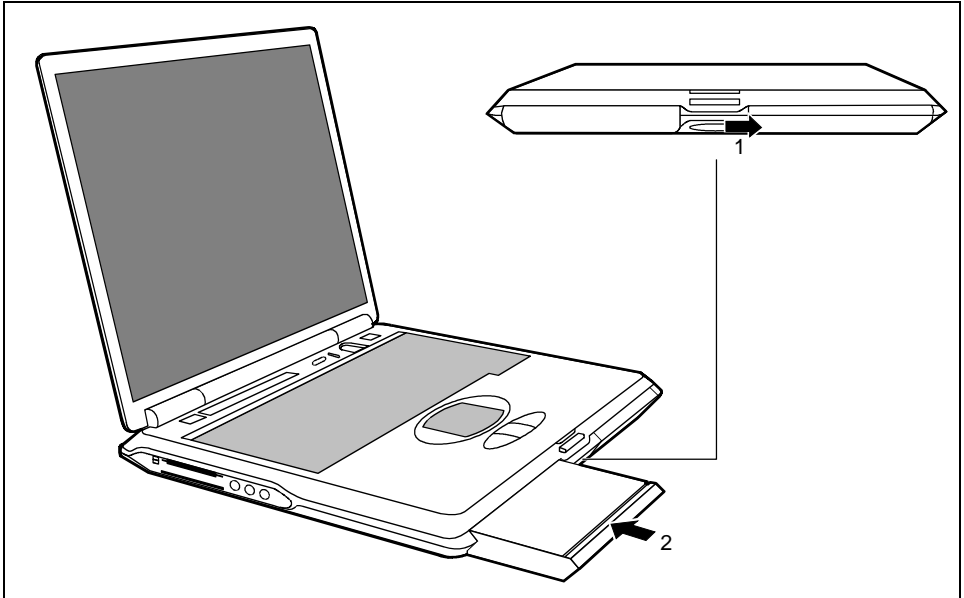
- ▶ Switch off the workstation.
- ▶ Place the workstation on a flat surface.
- ▶ Open the LCD display panel.

Removing the battery



- ▶ Push the slide in the direction of the arrow up to the stop (1).
- ▶ Pull the battery out of the casing in the direction of the arrow (2).

Installing the battery



- ▶ Push the slide in the direction of the arrow up to the stop (1).
- ▶ Position the battery at the edge of the casing (2) and then press it into the workstation.

Using the power-management features

The workstation uses less power when the power management features are enabled. You will then be able to work longer when using the battery before having to recharge it.

A square box containing a lowercase letter 'i' in a bold, serif font, indicating an important note or warning.

If you are connected to a network or use the integrated modem, PC LAN card, or PC modem card, we advise against enabling an energy saving mode. This could lead to an interruption of your network connection.

When not using the workstation for long periods of time, first end the energy saving mode, then switch off the workstation. Never switch off the workstation with the Suspend/Resume button while the workstation is in one of the energy-saving modes.

If your workstation is in an energy-saving mode mode:

- Do not connect any external peripheral devices.
- Do not disconnect any external peripheral devices.
- Do not attempt to switch the workstation on if the built-in battery is flat.
- Do not change or remove the floppy disk, if inserted.
- Do not add or remove RAM.
- Do not add or remove a PC card.
- Do not replace or remove the battery.

Energy-saving modes of workstation

You can set two energy-saving modes with your workstation.

In the Suspend mode (*Suspend to DRAM/Standby*) all current data (active programmes, files) are buffered in the main memory, and in the Save-to-Disk mode (*Save to Disk/HibernateMode*) all current data are saved on the hard disk. Then the workstation is switched off. After the workstation is switched on, you can continue working exactly where you left off before.

Operating systems with ACPI (Windows 98, Windows ME und Windows 2000)



For operating systems with ACPI you can set the energy-saving functions under *Settings - Control Panel - Power Management* (e.g. *Standby, Hibernate mode* and *LCD off*).

You can configure the Suspend/Resume button and the lid switch in the *Settings* tab under *Settings - Control Panel - Power Management*.

Settings for energy-saving functions in the *BIOS Setup* are not taken into account by operating systems with ACPI.

Changing settings

- ▶ Double-click on the *My Computer* symbol.
- ▶ Double-click on the *Control Panel* symbol.
- ▶ Double-click on the *Power management* symbol in the Control Panel window.

The *Properties* dialogue field appears.

- ▶ Adjust the setting to your needs.
- ▶ Click on *OK* to save the settings.



With Windows 2000 and Windows ME the default setting for *Hibernate mode* is *Disabled*.

With Windows 98 please read the chapter "PHDISK (for Windows 98 and Windows NT only)".

Additional information on this service programme is contained in the help function of Windows 98 and Windows 2000.

Operating systems with APM (Windows 95, Windows NT with APM extensions)



For operating systems with APM (Advanced Power Management) you can set the energy-saving functions in the *BIOS Setup* (e.g. *Suspend to RAM*, *Save to Disk*, *LCD off* etc.).

Setting energy-saving modes

- ▶ Call the *BIOS Setup*.
- ▶ Set which energy-saving mode you want to use in the *Power* menu.
- ▶ Set the *Auto Suspend Timeout* parameter in the *Power* menu to a time period after which the workstation is to be switched into the energy-saving mode.

Suspend to DRAM

In this mode the current data in the main memory (DRAM) is stored. The data is stored for as long as the workstation is supplied with energy. If the battery is full, the data is stored for a matter of days. Without a battery and without a power supply the current data is lost.

Save to Disk

So that the current data can be saved, sufficient memory must be available on the hard disk. If the operating system Windows NT or OS/2 Warp is used, a Save-to-Disk partition must be created on the hard disk (see manual for respective operating system).

In this case also see the section "PHDISK (for Windows 98 and Windows NT only)".

PHDISK (for Windows 98 and Windows NT only)



You will find a description of how to use the PHDISK programme on our internet page: www.mobile-cd.de. Select *Tipps & Tricks - PHDISK Suspend to Disk*.

The *PHDISK* service programme reserves the memory space required for the use of Save-to-Disk mode. The programme creates a file for saving the main memory contents and the system register when your notebook is switched over to Save-to-Disk mode. The position of the first and last free sectors are saved in the "CMOS" after running this programme.

- Run *PHDISK* after you have installed or removed memory modules.
- Run *PHDISK* after you have installed or restored Windows NT.
- Run *PHDISK* after you have replaced your hard disk.
- Run *PHDISK* if you have received a BIOS error message in conjunction with Save-to-Disk mode during the self test (POST).



In Windows NT the *PHDISK* service programme is not supported by the NTFS file system. In Windows 2000, Windows Me and Windows XP the required memory space on the hard disk is not reserved until you make the required Hibernate mode settings under *Settings - Control Panel - Energy Options*.

Additional power-management features

Closed cover switch

When you close the LCD display panel, the workstation switches into Standby mode. Opening the LCD display panel ends Standby mode.

- ▶ Set the value *On* in the *BIOS Setup* in the *Power - Advanced Features* menu for the *Lid Closure Suspend* parameter if your workstation is to go into the energy-saving mode when the lid is folded down.
- ▶ If the energy-saving mode is to be ended again by folding up the LCD screen, then also set the *LidOpen Resume* parameter to *On*.

Power Button

You can configure the Suspend/Resume button.

If you want to use the Suspend/Resume button as an ON/OFF switch, set the *Power Button* parameter to *Power Off* in the *Power - Advanced Features* menu in the *BIOS Setup*.

Standby Timeout

With this mode the LCD screen and internal components automatically switch off after a defined period of time. Any activity automatically returns the workstation to normal operation.


Hard Disk timeout

With this mode the motor of the hard disk drive is switched off as soon as no activity with the keyboard or the pointing device, or any other input or output activity takes place for a time period defined in the *BIOS Setup*.

This parameter is set in the *Power* menu in the *BIOS Setup*. When the hard disk is accessed, the motor of the hard disk drive is automatically switched on again.

Hard disk

The hard disk is the most important storage medium of your workstation. You can work considerably faster and more efficiently if you copy applications and files from floppy disks or CDs to your hard disk.

When the hard disk is accessed, the hard disk indicator lights up .

Inserting and removing modules

Modules can be optical drives, additional hard disk or floppy disk drives or batteries.



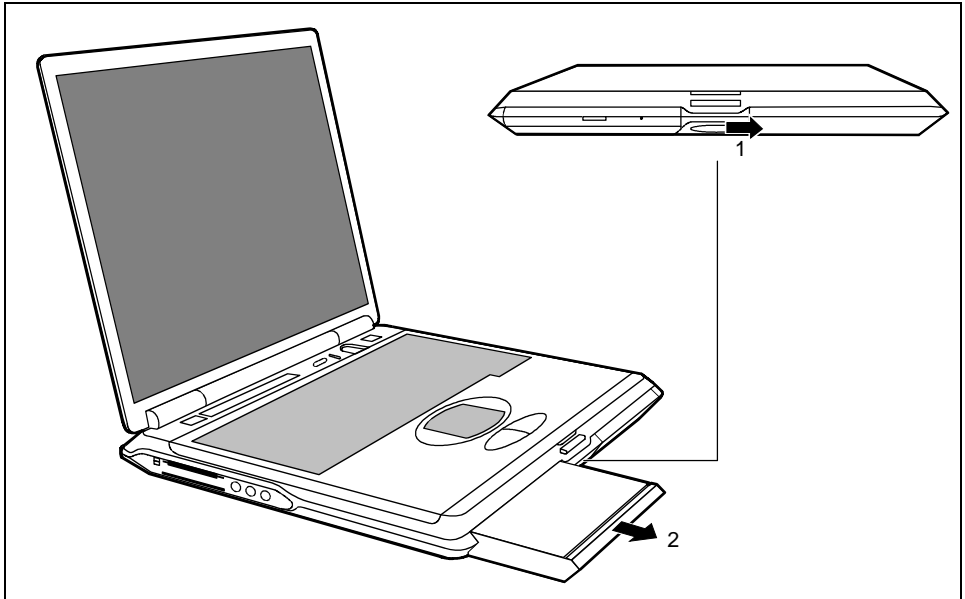
Only use modules released for this workstation.

Do not use force when installing or removing a module.

Make sure that no foreign objects enter the slots.

- ▶ Switch off the workstation.
- ▶ Place the workstation on a flat surface.
- ▶ Open the LCD display panel.

Removing modules



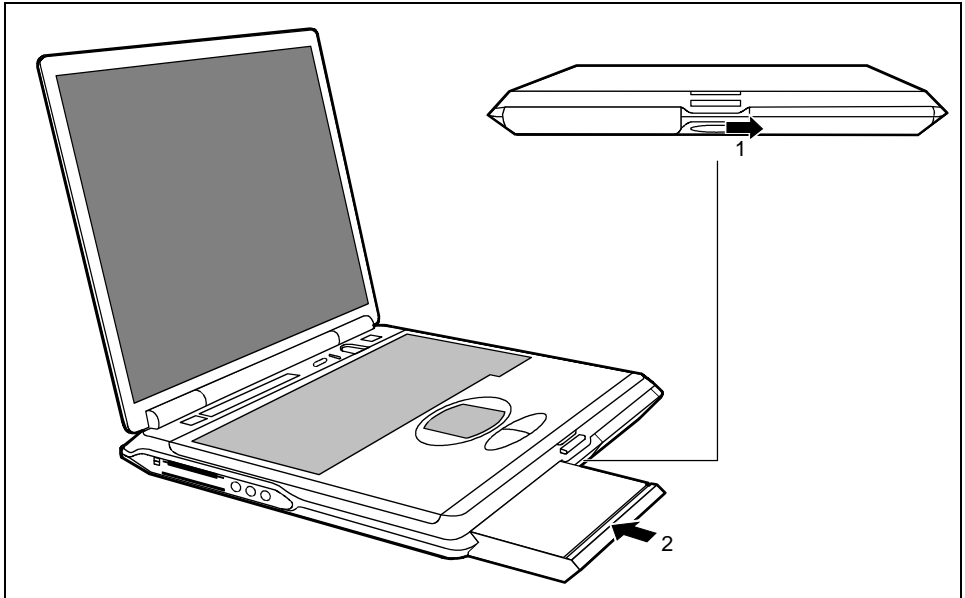
- ▶ Push the slide in the direction of the arrow up to the stop (1).

i

To remove the left-hand module, push the slide to the right. To remove the right-hand module, push the slide to the left.

- ▶ Remove the module the direction of the arrow (2).

Installing modules



- ▶ Push the slide in the direction of the arrow up to the stop (1).

i

To install the left-hand module, push the slide to the right. To install the right-hand module, push the slide to the left.

- ▶ Position the module at the edge of the casing (2) and then press it into the workstation.
- ▶ Release the slide (2).

Optical drives

Depending on the model, your workstation is equipped with a CR-ROM drive, a CD-RW drive, a DVD-ROM drive or a combo drive (CD-RW/DVD).



This device contains a light-emitting diode, classified according to IEC 825-1:1993: LASER CLASS 1, and must not be opened.

Avoid touching the surface of a CD/DVD. Handle CDs/DVDs only by their edges!

Always store CDs/DVDs in their cases. Thus you avoid dust contamination, scratches, bending or other damage.


Protect your CDs/DVDs from dust, mechanical vibration and direct sunlight!

Avoid storing a CD/DVD in areas subject to high temperatures or humidity.

You may use both 8-cm and 12-cm CDs/DVDs in the optical drive.

When using CDs/DVDs of poor quality vibrations and reading errors may occur.

Optical drive indicator

The indicator  flashes when a CD/DVD is inserted. The indicator goes out when the drive is ready-to-operate. The indicator lights up when the drive is accessed.



If the indicator does not go out after the CD/DVD is inserted, and continues to flash, the CD/DVD is probably damaged or dirty.

Inserting or removing a CD/DVD

The workstation must be switched on.

- ▶ Push the insert/eject button.

The drive tray will open.

- ▶ Pull the drive tray completely out.
- ▶ Place the CD/DVD in the drive tray with the label facing upwards.

or

- ▶ Take out an inserted CD/DVD.
- ▶ Push in the drive tray until you feel it lock into place.

Manual removal (emergency removal)

In the event of a power failure or damage to the drive it may be necessary to manually remove the CD/DVD.

- ▶ Switch off the workstation.
- ▶ Push a pen or a piece of wire (such as a paper clip) into the opening for manual ejection.

The drive tray is unlocked. You can now pull the drive tray out of the drive.



Please see the drive documentation for the location of the opening for manual removal.

Floppy Disk Drive



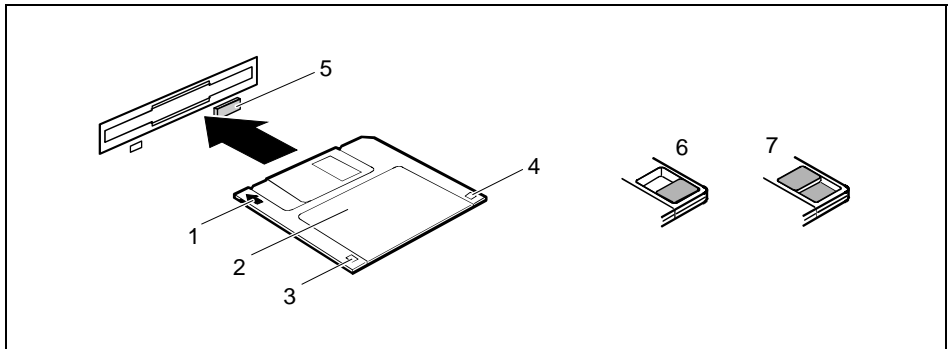
Never clean the floppy disk drive with cleaning disks. Any attempt would destroy the read/write head in the disk drive within 20 seconds.

Make sure that no floppy disk is inserted in the floppy disk drive during transport. Otherwise the eject button may break off and the floppy disk drive will be damaged.

Working with floppy disks



Follow the instructions supplied by the vendor of the floppy disks.



- 1 = Insertion direction
- 2 = Label area
- 3 = Write protection tab for a 1.44 Mbyte floppy disk
- 4 = Identification of a 1.44 MB floppy disk or write protect switch on a 120 MB floppy disk
- 5 = Eject button for inserted floppy disks
- 6 = Disk is write-protected
- 7 = Disk is not write-protected

To insert a diskette:

- ▶ Push the floppy disk into the drive in the insertion direction (1) until it engages. The label should be facing upward.

To remove a diskette:

- ▶ Push the eject button (5).

Protect the floppy disk against being overwritten or erased

- ▶ Slide the write-protect slider into position (6). The hole is now visible.

Deactivate write protection

- ▶ Slide the write-protect slider into position (7). The hole is now covered.

56k-Modem

Depending on the device version, a modem may already be installed in your workstation. The 56k modem supports all data communication applications, such as:

- Modem operation: High-speed downloads at up to 56,000 bit/s (V.90). Downward-compatible to V.34 modems.
- Fax mode: Transmitting and receiving at up to 14,400 bit/s
- Simple country adaptation with programme

The modem complies with the EU Directive 91/263/EEC (Telecommunications terminal equipment directive) and has been checked in agreement with the guideline TBR-21.

The modem can be operated in the following countries:

Multifrequency (MFC) dialing

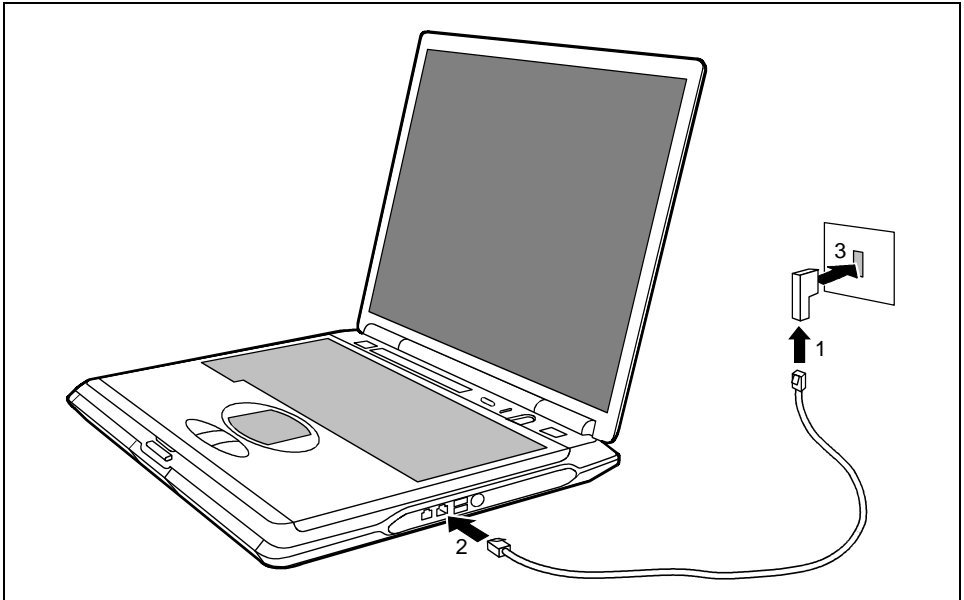
Belgium, Denmark, Germany, Finland, France, Greece, Great Britain, Holland, Ireland, Iceland, Italy, Luxembourg, Norway, Austria, Portugal, Sweden, Switzerland and Spain.

Pulse dialing:

Belgium, France, Holland and Italy.

Also in: Poland, Slovenia, South Africa and Hungary.

Connecting workstation modem to telephone connection



- ▶ Connect the modem cable supplied to the country-specific telephone adapter (1).
- ▶ Connect the modem cable to the modem port of the workstation (2).
- ▶ Connect the modem cable to your telephone wall socket (3).

Connecting IEEE1394 (FireWire)

Peripheral devices such as digital audio/video devices or other high-speed devices can be connected via IEEE1394 (FireWire). Your workstation can be equipped with an IEEE1394 (FireWire) connection, which operates at 400 Mbit per second, as an option.

- ▶ Connect the peripheral device to the IEEE1394 (FireWire) connection on the left-hand side of your workstation.

PC cards

Two PC card slots enable the notebook to operate two type II PC cards or one type III PC card (CardBus or PCMCIA) .

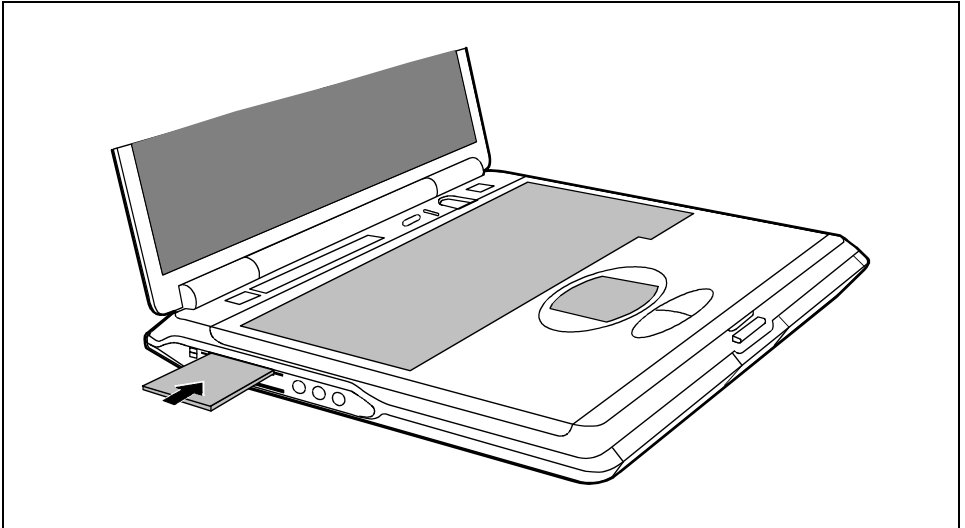


Consult the documentation supplied by the PC card's manufacturer and follow the instructions provided.

Never use force when inserting or removing a PC card.

Make sure that foreign objects do not fall into the PC card slot.

Installing a PC card



- ▶ Insert the PC card, contacts first, into the lower slot guide. The labelled side of the PC card should be facing upward.
- ▶ Gently push the PC card into the slot until you feel it click into place.



Consult the documentation supplied with the PC card for information on how to install the necessary device drivers.

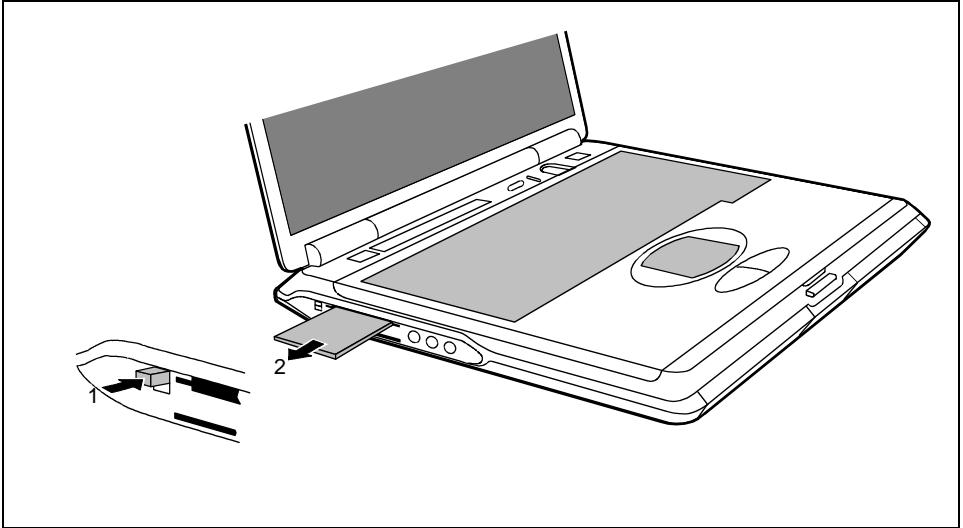
For further information refer to the information files (e.g. **TXT*, **DOC*, **WRI* or **HLP*) provided on the PC card driver diskette or the information in the operating system manual.

You can push the PC card slot eject buttons down flush into the case. Press the eject buttons until they snap in.

NOTE:

This device and its antenna(s) must not be co-located or operating in conjunction with any other antenna or transmitter.

Removing a PC card



- ▶ Press the eject button (1). It will project further out of the workstation's case. If the eject buttons are pushed in flush with the workstation casing, they must first be snapped out. Press the eject buttons until they snap out.
- ▶ Slide the PC card out of the workstation (2).

SmartCards

The SmartCard slot permits the operation of a SmartCard.

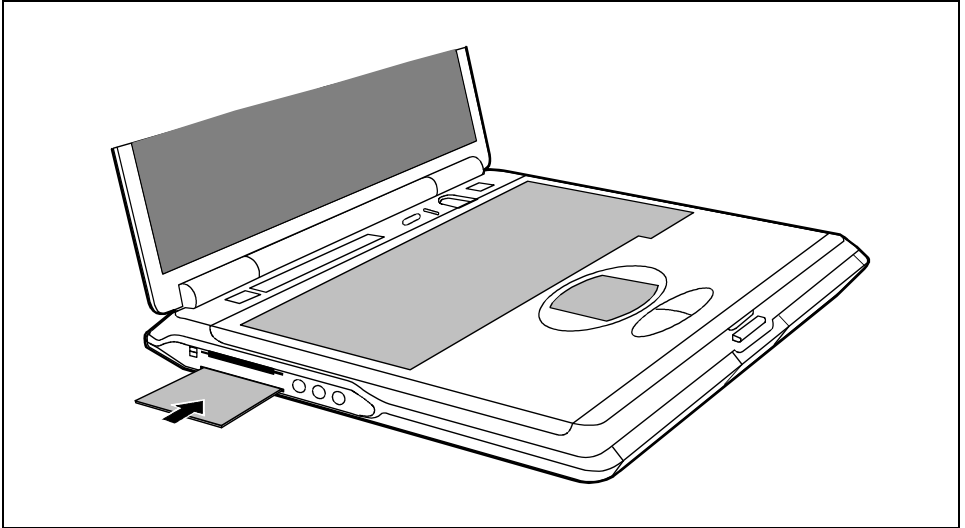


Consult the documentation supplied by the SmartCard's manufacturer and follow the instructions provided.

Never use force when installing or removing a SmartCard.

Make sure that foreign objects do not fall into the SmartCard slot.

Inserting a SmartCard



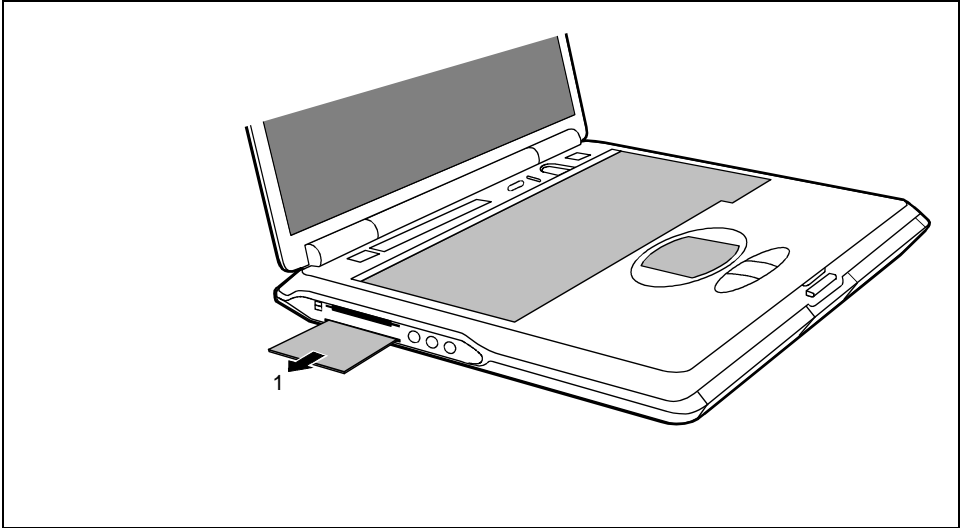
- ▶ Insert the SmartCard, contacts first, into the lower slot guide. The labelled side of the SmartCard must be facing upward.
- ▶ Gently push the SmartCard into the slot until you feel it click into place.

i

Consult the documentation supplied with the SmartCard for information on how to install the necessary device drivers.

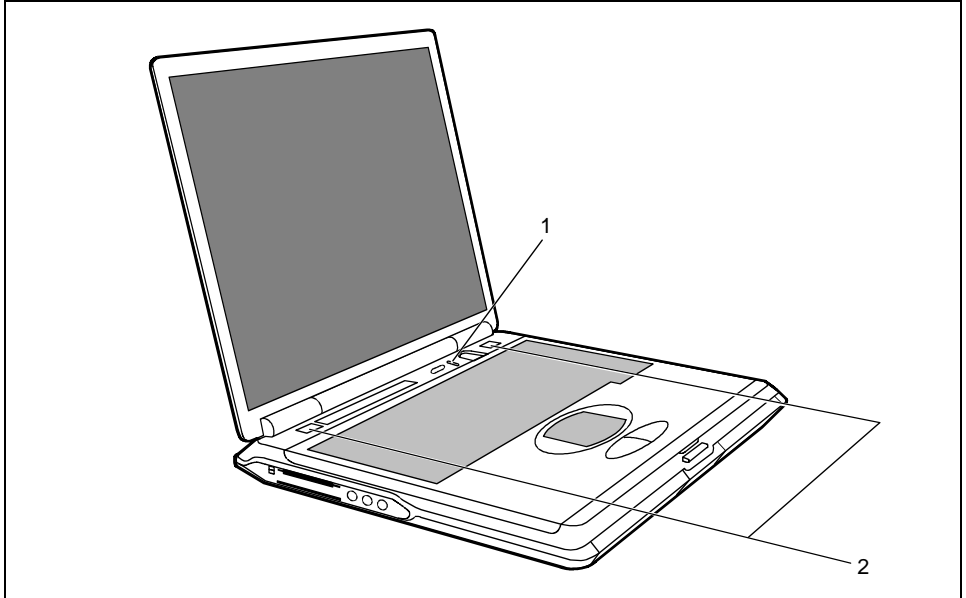
For further information refer to the information files (e.g. *.TXT, *.DOC, *.WRI or *.HLP) provided on the SmartCard driver diskette or the information in the operating system manual.

Sliding out a SmartCard



- ▶ Slide the SmartCard out of its location (1).

Microphone and loudspeakers



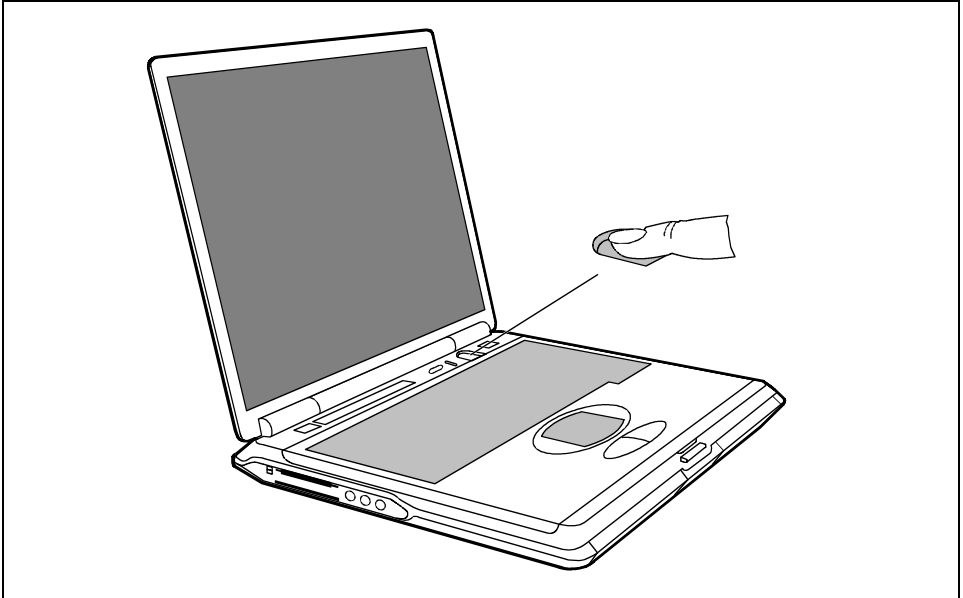
1 = built-in microphone

2 = built-in loudspeakers

Your workstation contains a built-in microphone (1) and two loudspeakers (2).

If you attach an external microphone, the built-in microphone is disabled. The internal loudspeakers switch off when you attach headphones or external loudspeakers to the audio jack.

Fingerprint reader



The workstation is equipped with a fingerprint reader. Instead of entering a user password, you can also log on to the system with a fingerprint.

Property and data protection

Your workstation enables you to protect your system and personal data against unauthorised access in a number of ways. By combining these options, you can achieve maximum protection for your system.

Security functions under Windows

Under Windows you can activate a screen saver and protect it with a password. Only those users who know the password can deactivate the screen saver and access any open files.

BIOS Setup security functions

The *Security* menu in *BIOS Setup* offers you various options for protecting your personal data against unauthorised access. By combining these options, you can achieve maximum protection for your system.

Preventing unauthorised *BIOS Setup* entry

You can activate this protection by setting a supervisor or a user password in the *Security* menu (*Set Supervisor Password/Set User Password*).

Preventing unauthorised system access

You can activate this protection by setting a password in the *Security* menu. In addition, you must select the entry *Enabled* in the *Password on boot* field.

Preventing unauthorised access to the hard disk drives

You activate this protection when you set a hard disk passwords in the *Hard Disk Security* submenu of the *Security* menu. To do this, set the entry *HDD password* to *Enabled*.

If set, the hard disk passwords are checked at each system startup, regardless of whether *Password On Boot* is set to *Enabled* or *Disabled*.

Preventing unauthorised access to floppy disk drive

To activate this protection, select the value *Supervisor* for the *Diskette access* field in the *Security* menu.

Setting passwords

A user password can only be set if a supervisor password has been assigned. The supervisor or user password prevents unauthorised callup of *BIOS Setup*. Only those who know one of the two passwords can call *BIOS Setup*.

With the supervisor password you have access to all functions of the *BIOS Setup*. With the user password you only have access to part of the functions of the *BIOS Setup*.

The user password prevents unauthorised access to your workstation. With the user password you can prevent booting of the operating system. Only those who know the user password can access the system.



Passwords can be up to eight characters long. All alphanumerical characters can be used; no differentiation is made between upper-case and lower-case. Passwords are not displayed as they are entered. If you have forgotten a password, contact your system administrator or contact our customer service centre.

To set or change a password, proceed as follows:

- ▶ Call *BIOS Setup* and select the *Security* menu (see chapter "Settings in BIOS Setup"). You must additionally change into the *Hard Disk Security* submenu for the hard disk passwords.
- ▶ Mark the *Set Supervisor Password* or *Set User Password* field and press the Enter key.

You are asked to enter a password:

Enter new Password:

- ▶ Enter the password and press the Enter key.

You are asked to confirm the password:

Re-enter new Password:

- ▶ Enter the password again and press the Enter key.

The new password is saved.

Notice: Changes have been saved [continue]

- ▶ To prevent booting of the operating system, mark the *Password on boot* field and select the value *Enabled*.

If you do not want to make any other settings, you can exit *BIOS Setup*.

- ▶ Select the option *Exit Saving Changes* in the *Exit* menu.

The workstation is rebooted and the new password is effective.

Canceling passwords

Supervisor / User password



If you cancel the supervisor password, you automatically deactivate the user password.

To cancel a password (without setting a new password):

- ▶ Call *BIOS Setup* and select the *Security* menu (see chapter "Settings in BIOS Setup").
- ▶ Mark the *Set Supervisor Password* or *Set User Password* field and press the Enter key.

You are asked to enter a password:

Enter new Password:

- ▶ Press the Enter key twice.
- ▶ Select the option *Exit Saving Changes* in the *Exit* menu.

The workstation is rebooted and the password is cancelled.

Hard disk password

To cancel a password (without setting a new password):

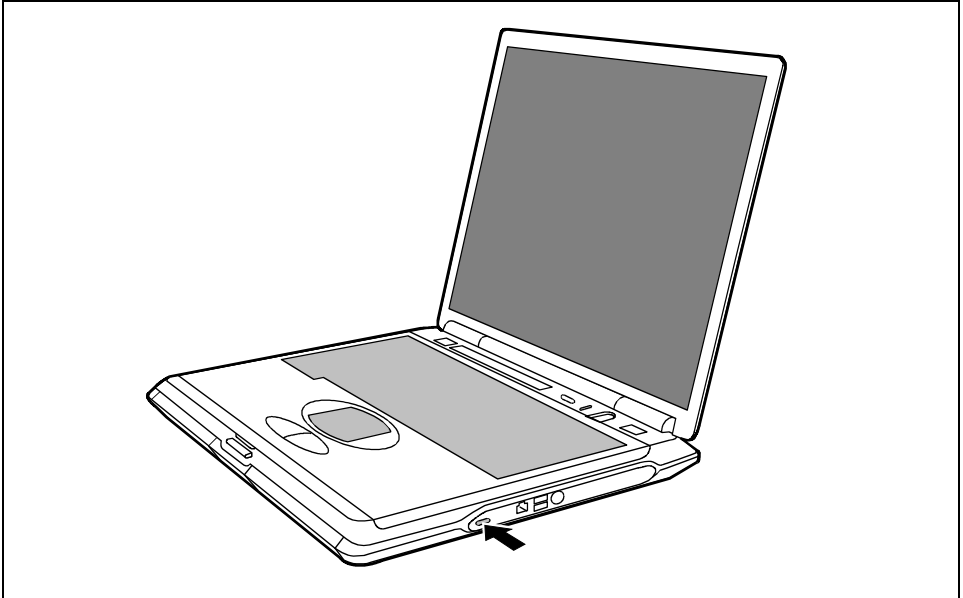
- ▶ Call *BIOS Setup* and select the *Security* menu (see chapter "Settings in BIOS Setup").
- ▶ Change into the submenu *Hard Disk Security*.
- ▶ Set the entry *HDD password* to *Disabled* in the *Hard Disk Security* submenu.
- ▶ Select the option *Exit Saving Changes* in the *Exit* menu.

The workstation is rebooted and the password is cancelled.

Removable keyboard

To protect your workstation from unauthorised users, you can also remove the keyboard.

Kensington Lock



a = Kensington Lock

You can protect your workstation from theft with the Kensington Lock device (a) and a Kensington MicroSaver.

Connecting external devices



Under all circumstances, please observe the safety notes provided in the "Important notes" chapter.

Read the documentation on the external device before connecting it.

Do not connect or disconnect cables during a thunderstorm.

Do not pull on the cable when disconnecting a cable. Always take hold of the actual plug.

Adhere to the order described in the following when you connect external devices to the workstation or separate them from the workstation:

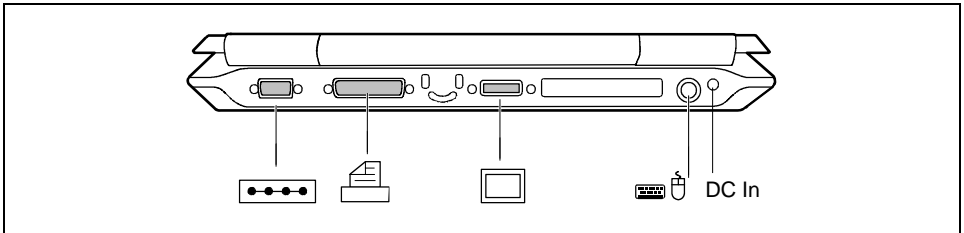
Connecting devices to the workstation

- 1) Turn off all power and equipment switches.
- 2) Remove all power plugs from the mains outlets.
- 3) Connect all the cables to the workstation and the external devices.
- 4) Plug all data communication cables into the utility sockets.
- 5) Plug all power cables into the mains supply.

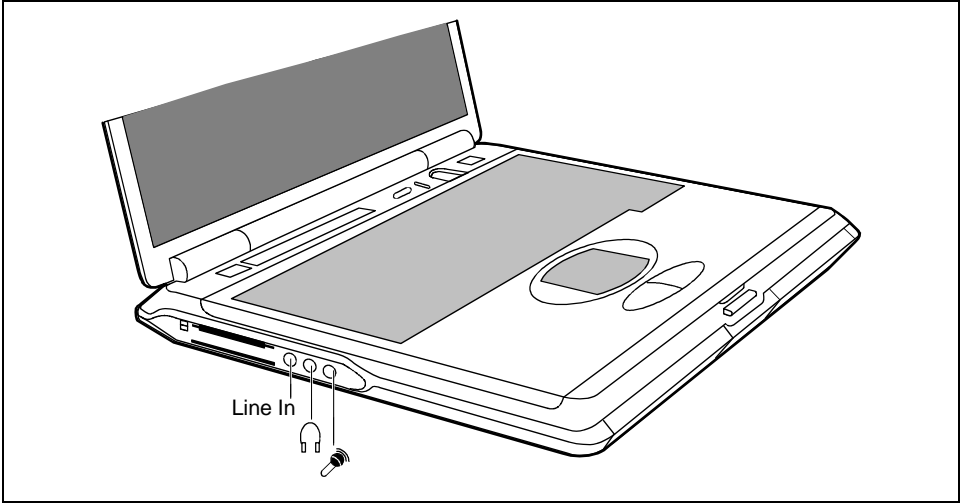
Disconnecting devices from workstation

- 1) Turn off all power and equipment switches.
- 2) Remove all power plugs from the mains outlets.
- 3) Unplug all data communication cables from the utility sockets.
- 4) Disconnect all the cables from the workstation and the external devices.

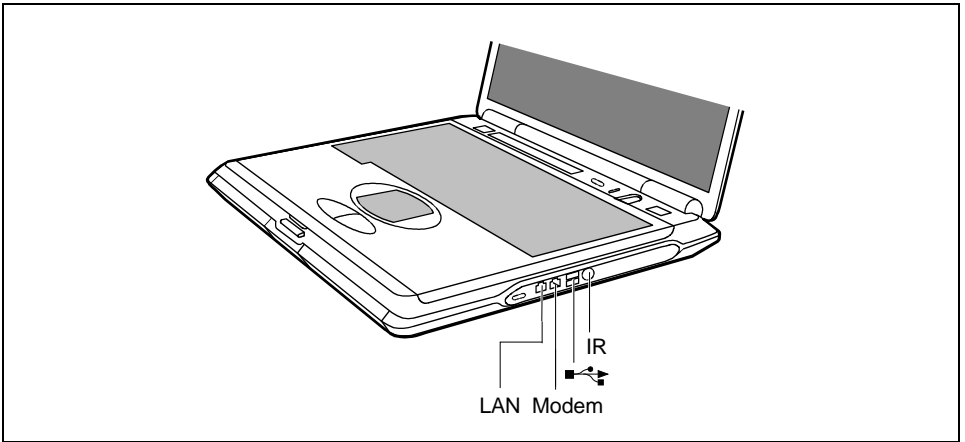
Ports



Connections on the rear







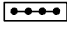



Connections on the left side



Connections on the right side

The ports are marked with the following symbols (or with similar symbols):

LAN	LAN-port (Local Area Network, for Network connection)	DC In	Port for power adapter
	PS/2 port (for keyboard or mouse)		Headphones port
	Parallel port		Microphone connector
	Monitor port	IR	Infrared port
TV	TV out socket (video output)		USB port
	Serial port		Modem port



Some of the external devices require special drivers (see the operating system and external device documentation).

Connecting an external monitor

An external monitor can be connected to the workstation. The screen controller in your workstation supports extended SXGA resolutions of up to 1280x1024/60 Hz and 16 bit colour depth.

- Using the **[Fn] + [F10]** key combination you can switch back and forth between the external monitor and the LCD screen.
 - If your workstation is equipped with a TFT monitor, you can display the same picture on the external monitor and the LCD screen simultaneously.
- ▶ Switch off the workstation and the external monitor.
 - ▶ Connect the external monitor to the monitor port on your workstation.
 - ▶ First switch on the monitor and then the workstation.

Setting the refresh rate for your external monitor

The refresh rate must be correctly set so that the image does not flicker.

- ▶ To change the refresh rate or resolution select the monitor type in the menu *Start - Settings - Control Panel - Display - Settings - Advanced - Monitor*.
- ▶ Now select the *Adapter* tab.
- ▶ Adjust the refresh rate and then click *Apply*.



If the refresh rate set is too high, the monitor may be damaged. Please see the documentation included with your monitor for the maximum possible refresh rate.

Connecting an external keyboard

You do not need to switch off your workstation.

- ▶ Simply connect the external keyboard to the PS/2 port on your workstation.

Connecting an external PS/2 mouse

You do not need to switch off the workstation.

- ▶ Simply connect the mouse to the PS/2 port on your workstation.

Connecting a serial mouse

- ▶ Switch off the workstation.
- ▶ Connect the mouse to the parallel port on your workstation.
- ▶ Switch the workstation on.
- ▶ Run the mouse service programme under *Start - Settings - Control Panel* and select the *General* tab.
- ▶ Select the correct mouse type.
- ▶ Restart the workstation.

Using the parallel port

- ▶ Switch off the workstation.
- ▶ Connect the data cable of the printer to the parallel port on the workstation.
- ▶ Plug the printer power cable into the mains outlet.
- ▶ First switch on the printer, then the workstation.

Using the serial port

- ▶ Switch off the workstation.
- ▶ Connect the data cable of the printer to the parallel port on the workstation.
- ▶ Plug the printer power cable into the mains outlet.
- ▶ First switch on the printer, then the workstation.

Establishing an infrared connection

Using the infrared software for Windows, you can communicate with another PC or printer equipped with an infrared interface.



Before you can establish an infrared connection, you must have activated the infrared software. Additional information on the infrared interface is contained in the Windows help in the Start menu under the topic "Infrared".

Configuring the infrared connection

By default, the mode for the infrared port is set to *FIR* ("Fast IrDA Mode") in the *BIOS Setup*. If you want to communicate with a system on which Windows ME is not running, you can change the setting to *IrDA*. Please note that *IrDA* is the slower mode and is generally used on older computers.


Connecting USB devices

On the USB ports you can connect external devices that also have a USB port (e.g. a printer, a scanner or a modem).



USB devices are hot-pluggable. This allows cables from USB devices to be connected and disconnected with the system switched on.

Additional information can be found in the documentation for the USB devices.

- ▶ Connect the data cable to the external device.
- ▶ Connect the data cable to a USB port .



Device drivers

The devices you connect to the USB ports usually require no driver of their own, as the required software is already included in the operating system. However, if the USB device requires its own software, please install it from the data carrier provided with the USB device.

Settings in BIOS Setup

In *BIOS Setup* you can set the system functions and the hardware configuration of the workstation. The settings can only be changed via the keyboard.

When it is supplied, the workstation is set to factory default settings. You can change these settings in *BIOS Setup*. Any changes you make take effect as soon as you save and quit the *BIOS Setup*.

The *BIOS Setup* programme contains the following menus:

<i>Main:</i>	for system settings as time, date, hard disk and monitor selection
<i>Advanced:</i>	for system settings such as ports and keyboard
<i>Security:</i>	for password settings and safety functions
<i>Power:</i>	for setting the energy saving functions
<i>Boot:</i>	for configuring the boot sequence
<i>Info:</i>	for displaying the system configuration (e.g. processor and memory configuration)
<i>Exit:</i>	to exit the <i>BIOS Setup</i>

Start BIOS Setup

- ▶ Restart the workstation (switching On/Off or warm boot).

The following display briefly appears on the screen during start-up:

```
<ESC> Diagnostic screen <F12> Boot Menu <F2> BIOS Setup <F6> Battery learning
```

- ▶ When this message appears, press the key **F2**.



If a password has been assigned:

- ▶ Enter the password and press the Enter key.

If you have forgotten the password, contact your system administrator or contact our Hotline/Help Desk.

Operating BIOS Setup



Press the **F1** key to display help on the operation of *BIOS Setup*.

The description of the individual settings is shown in the right-hand window of the *BIOS Setup*.

You can revert to the default settings for the *BIOS Setup* menu you are currently in, by using the **F9** function key.

- ▶ Use the cursor key **←** or **→** to select the menu you wish to access to make changes.
- ▶ Press the Enter key.

The menu is displayed on the screen.

- ▶ Use the cursor key **↑** or **↓** to select the field you wish to change.
- ▶ Press the space bar to confirm your selection.
- ▶ Press the **ESC** key to exit the selected menu.
- ▶ For future reference, make a note of the changes you have made (for example, in this manual).

Exiting BIOS Setup

To exit *BIOS Setup*, select the *Exit* menu from the menu bar. You can then decide which settings you want to save. The *Exit* menu offers the following options.

You must mark the required option and activate it with the Enter key.

Exit Saving Changes

Select *Exit Saving Changes* and *Yes* to save the current settings and exit the *BIOS Setup*. The device is rebooted and the new settings come into effect.

Exit Discard Changes

Select *Exit Discard Changes* and *Yes* to discard the changes you have made. The settings which were in force when *BIOS Setup* was called remain effective. *BIOS Setup* is terminated and the device is rebooted.

Load Setup Default

To revert all the menus of *BIOS Setup* to the default entries, select *Load Setup Default* and *Yes*.

Discard Changes

To load the values of all the menus of *BIOS Setup* that were in effect when *BIOS Setup* was called, select *Discard Changes* and *Yes*. If you want to exit *BIOS Setup* with these settings, select *Exit Saving Changes* and *Yes*.

Save Changes

To save settings without exiting *BIOS Setup*, select *Save Changes* and *Yes*.

Troubleshooting and tips



Take note of the hints in the chapter "Connecting external devices", when you connect or disconnect cables.

If a fault occurs in your workstation, try to eliminate it with the measures described in this chapter. If you fail to correct the problem, proceed as follows:

- ▶ Make a note of the steps and the circumstances that led to the fault. Also make a note of any error messages displayed.
- ▶ Switch off the workstation.
- ▶ Contact your sales outlet or our Hotline/Help Desk.

Installing new software

When installing programmes or drivers, important files may be overwritten and modified. To be able to access the original data in the case of any problems following installation, you should backup your hard disk prior to installation.

Saving and restoring system files

With "Microsoft Backup" you can create backup copies of your system files and restore the files. We recommend that you create a backup copy of all important files after switching on your workstation for the first time.

Click on *Start* and select *Accessories* and *System Tools*.

- ▶ Click on *Backup*.
- ▶ Depending on whether you want to create a backup copy or restore the files, select either the *Backup* or the *Restore* tab.
- ▶ Follow the instructions on the screen.

Restoring the hard disk contents under Windows

Using the Windows Recovery CD and the CELSIUS Mobile Driver CD, you can restore the operating system of your workstation.

During restoring the operating manual the contents of your hard disk will be overwritten. After this, operating system, drivers and software utilities will be reinstalled. For this reason you should try to save important data to a backup medium before you restore the hard disk contents.

- ▶ Insert the "Start-Disk for Windows" into the floppy disk drive and switch the workstation on.
- ▶ Follow the instructions on the screen.



Detailed PC knowledge is required for manual partitioning.

- ▶ Insert the Windows Recovery CD into the optical drive.
- ▶ Start the *Setup* programme on the CD.

You must then reinstall all the drivers. Use the "CELSIUS Mobile Driver CD".

The workstation's date or time is incorrect

- ▶ Double-click on the clock in the task bar and adjust the time.

or

- ▶ Set the time and/or date in the *BIOS Setup* menu *Main*.



If the date and time are repeatedly incorrect when you switch on the workstation, the buffer battery that supplies the internal clock is dead.

Connect the workstation via its power adapter to a grounded mains outlet or install a fresh battery. The buffer battery will take approximately two days to complete its recharge. Should the problem persist, please contact our Hotline/Help Desk.

Battery indicator does not illuminate

Battery is not installed or is defective

If the battery status indicator does not light up, either no battery is installed or there is no contact between the workstation and the battery.

- ▶ Check whether the battery is installed correctly in its compartment.

It may be necessary to replace the battery with a new one. When you dispose of used batteries, please observe the safety instructions in the chapter "Important notes".

The LCD screen of the workstation remains blank

Monitor is switched off

- ▶ Press a key or enter the password

External monitor or television set connected

- ▶ Set the setting *Display Settings* to *LCD BIOS-Setup* in the menu *Advanced - Video Features*.

The workstation's LCD display is difficult to read

Reflection

- ▶ Turn the workstation or alter the tilt of the LCD display.

The external monitor stays blank

If your screen remains blank this may be due to the following:

Monitor is switched off

- ▶ Switch the external monitor on.

Power saving has been activated (screen is blank)

- ▶ Press any key to continue.

Brightness is set too dark

- ▶ Adjust the brightness of the monitor.

The workstation has been configured to drive the internal LCD display

- ▶ Press the key combination **Fn** + **F10** (selecting internal/external display).

The external monitor's power cable or data cable is not connected properly

- ▶ Switch off the external monitor and the workstation.
- ▶ Check whether the power cable is plugged properly into the power adapter and into the mains outlet.
- ▶ Check whether the data cable is properly connected to the workstation and the external monitor (if it is plugged in with a connector).
- ▶ Switch on the external monitor and the workstation.

The external monitor is blank or the image is unstable

Two causes are possible: An incorrect type has been selected for the external monitor or the wrong screen resolution has been set for the application programme.

- ▶ Terminate the application programme with **Alt** + **F4**.

If the fault continues to occur after ending the programme, switch over to the workstation's internal LCD screen with **Fn** + **F10**. Change the following setting:

- ▶ Select *Start - Settings- Control Panel - Display - Settings* and then the screen resolution you require in the *Resolution* field.

or

- ▶ Select the correct monitor under *Start - Settings- Control Panel - Display - Settings - Advanced Properties - Monitor - Modify*.

The workstation does not start after switch on

If the workstation does not start after switch on, this may be due to one of the following:

The battery is not installed correctly.

- ▶ Switch off the workstation.
- ▶ Check whether the battery is installed correctly in its compartment.
- ▶ Switch the workstation on.

The battery is dead

- ▶ Charge the battery.

Or

- ▶ Install a charged battery.

Or

- ▶ Connect the power adapter to the workstation.

The power adapter is not connected correctly.

- ▶ Switch off the workstation.
- ▶ Check whether the power adapter is connected correctly to the workstation.
- ▶ Check whether the power cable is plugged properly into the power adapter and into the mains outlet.
- ▶ Switch the workstation on.

The workstation stops working

If the workstation stops working, this may have the following reasons:

The workstation is in Standby or Suspend mode

- ▶ Reactivate the workstation by pressing a key (Standby mode) or by switching it back on (Suspend mode).

An application programme has caused the malfunction

- ▶ Close the application programme or restart the workstation by switching it On/Off or with a warm boot.

The battery is dead

- ▶ Charge the battery.

Or

- ▶ Install a charged battery.

Or

- ▶ Connect the power adapter to the workstation.

The mouse does not work

If the connected mouse does not work, the following can cause it:

Incorrect setting in BIOS Setup

- ▶ Check the setting *Hotplug* in the *BIOS Setup* in the menu *Advanced - Keyboard/Mouse Features*.

The setting must be set to *Enabled*.

Touchpad driver is not installed properly

- ▶ Deinstall the touchpad driver.
- ▶ Install the actual driver from the "CELSIUS Mobile Driver CD".

Mouse driver is not loaded

- ▶ Check whether the correct mouse driver is properly installed and is present before the application programme is started.
Detailed information can be found in the User Guides for the mouse or application programme.

Mouse is not connected

- ▶ Switch off the workstation.
- ▶ Check that the mouse cable is correctly connected to the workstation.
If you use an adapter or extension lead with the mouse cable, check the connections.
- ▶ Switch the workstation on.

The floppy disk cannot be written

- ▶ Check whether the disk is OK and is not write-protected.

The printer does not print

- ▶ Make sure that the printer is switched on and is on-line (see the manuals supplied with the printer).
- ▶ Check that the cable connecting the workstation and the printer is connected properly.
- ▶ Check that the correct printer driver is installed.
- ▶ Check in the *BIOS Setup* whether the *Advanced - I/O Device Configuration* field is set to *Enabled* for the port you are using.

The respective entry in the fields of *Serial Port* or *Parallel Port* must match the setting in the application programme under Windows.

Acoustic warnings

A beep sounds every few seconds

The battery is almost flat.

- ▶ Charge the battery.

Error messages on the screen

This section describes the error messages generated by the *BIOS-Setup*. Error messages displayed by the operating system or programmes are described in the relevant manuals.

CMOS Battery Bad

If the error message occurs repeatedly, then the buffer battery in the workstation is dead.

- ▶ Connect the workstation via its power adapter to a mains outlet. The buffer battery will take approximately two days to complete its recharge.

If the error message appears repeatedly, please contact the place of purchase or our Hotline/Help Desk.

System CMOS checksum bad – Default configuration used

The system configuration information is incorrect.

- ▶ Restart the workstation.
- ▶ Enter the *BIOS Setup* programme by pressing **F2**.
- ▶ Select the *Exit* menu in the *BIOS Setup*.
- ▶ Select the *Default Setup* entry and click on *OK*.

If the error message appears repeatedly, please contact the place of purchase or our Hotline/Help Desk.

Insert system diskette and press Enter key to reboot

The operating system cannot be loaded or the hard disk contains no operating system or is not formatted.

- ▶ Insert a system disk.
- ▶ Press any key to continue.

Invalid system disk - Replace the disk, and then press any key

The inserted disk is not a system disk or the inserted system disk is defective.

- ▶ Insert another system disk.
- ▶ Press any key to continue.

If you wish to boot from floppy disk:

- ▶ Insert a system disk.
- ▶ Press any key to continue.

Diskette drive A error

- ▶ Start the *BIOS Setup* and make sure that the parameter for floppy disk drive A has been set to the format 1.44 Mbyte, 3 1/2 inch.

Extended memory failed at offset: xxxx Failing Bits: zzzz zzzz

When testing the extended memory an error has resulted at the address xxxx.

- ▶ Check whether the additional memory module has been inserted correctly.

Should you receive this error message again, please contact your dealer.

Failure Fixed Disk n

The settings of the hard disk drive are incorrect.

- ▶ Start the *BIOS Setup (IDE Adapter 0 Master submenu)* and select the correct settings.

Fixed Disk address conflict Diskette Drive address conflict

There is an I/O address conflict.

- ▶ Start the *BIOS Setup* and check the corresponding settings.

Incorrect Drive A type - run SETUP

- ▶ Start the *BIOS Setup* and make sure that the parameter for floppy disk drive A has been set to the format 1.44 Mbyte, 3 1/2 inch.

Keyboard controller error

- ▶ Switch off the workstation with the Suspend/Resume button.
- ▶ Wait 3 - 5 seconds and switch on the workstation again.

If this error message appears again, please contact your point of sale or our Hotline/Help Desk.

Keyboard error

If you use an external keyboard:

- ▶ Check the connection and reboot the workstation.

If this error message appears again, please contact your point of sale or our Hotline/Help Desk.

nn Stuck key

- ▶ Make sure that no key is pressed.

If this error message appears again, please contact your point of sale or our Hotline/Help Desk.

Operating system not found

- ▶ Check in the *BIOS Setup* whether your hard disk has been set correctly.
- ▶ Make sure that the operating system is installed on the corresponding drive.

Not enough Save-to-Disk partition or file exists on Fixed Disk - Save-to-Disk feature is disabled.

The Save-to-Disk mode is not available to you, as no memory space has been assigned to this mode.

- ▶ Use the *PHDISK* service programme to assign the memory space required for this mode.

Press <F1> to resume, <F2> to SETUP.

This error message appears if an error occurs during the self-test before starting the operating system.

- ▶ Press the **F1** function key to start the operating system.
- ▶ Enter the *BIOS Setup* programme by pressing **F2**.

Previous boot incomplete - Default configuration used

Due to an error during the previous system boot, default values were used for certain settings. Check the *BIOS Setup* and the settings.

- ▶ Press the **F1** function key when prompted to do so.

Real Time clock error

- ▶ Contact your sales outlet or our Hotline/Help Desk.

nnnnK Shadow RAM failed at offset: xxxx Failing Bits: zzzz

- ▶ Contact your sales outlet or our Hotline/Help Desk.

System battery is dead - Replace and run SETUP

- ▶ Contact your sales outlet or our Hotline/Help Desk.

System cache error - Cache disabled

- ▶ Contact your sales outlet or our Hotline/Help Desk.

nnnnK System RAM failed at offset: xxxx Failing Bits: zzzz

- ▶ If you have installed a DIMM, you should remove the module and reboot the workstation. If the error message is no longer displayed, the error concerned is DIMM-related. Should you receive this error message again, please contact your dealer.

System timer error

- ▶ Contact your sales outlet or our Hotline/Help Desk.

Memory expansion



The workstation must be switched off when installing/removing the memory modules and may not be in the Suspend mode.

So that the current data can be saved in the *Save to Disk* suspend mode, sufficient memory space must be available on the hard disk (at least the size of the main memory +16 Mbytes).

Install only memory expansions that satisfy the requirements and rules governing safety, RFI and electromagnetic compatibility and relating to telecommunications terminal equipment (see the chapter "Important notes").

Use only memory expansions which have been released for your workstation (128, 256, and 512 Mbyte modules, SD RAM, JEDEC 144 pin SO DIMM, 3.3 V).

Never use force when installing or removing memory modules.

Make sure that foreign objects do not fall into the memory module compartment.

The main memory of your workstation can be expanded to a maximum of 512 Mbyte with another memory module. The workstation will not start without memory modules, as no fixed main memory is installed.

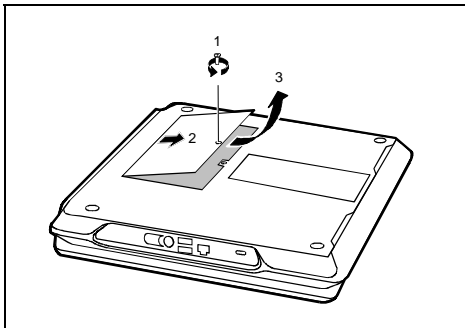
Removing and installing memory extension



Please note the information provided in the "Notes on installing and removing boards and modules" section in the chapter "Important notes".

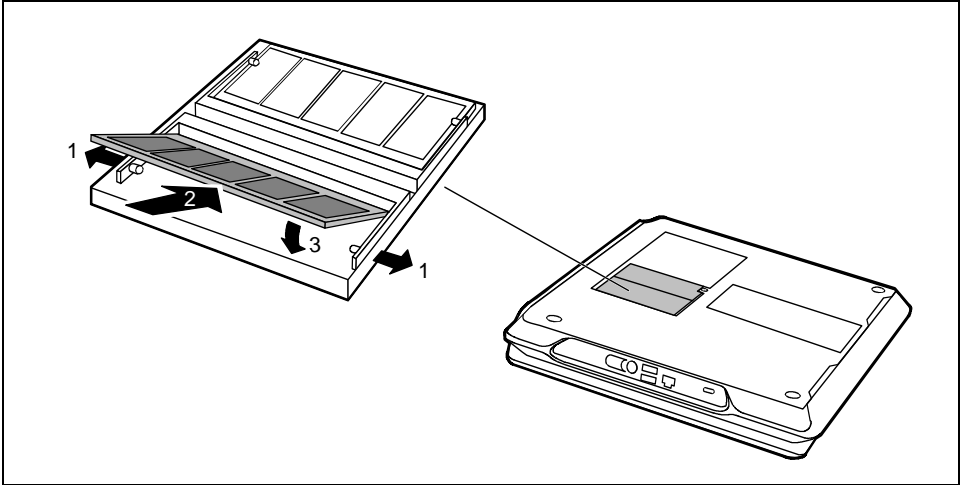
- ▶ Switch off the workstation and the connected peripherals.
- ▶ Close the LCD display of the workstation so that it locks into place.
- ▶ Unplug the power adapter from the mains outlet.
- ▶ Remove the battery (see "Removing the battery").
- ▶ Disconnect all cables connected to workstation.
- ▶ Place the workstation bottom-up on a flat surface.

Removing cover



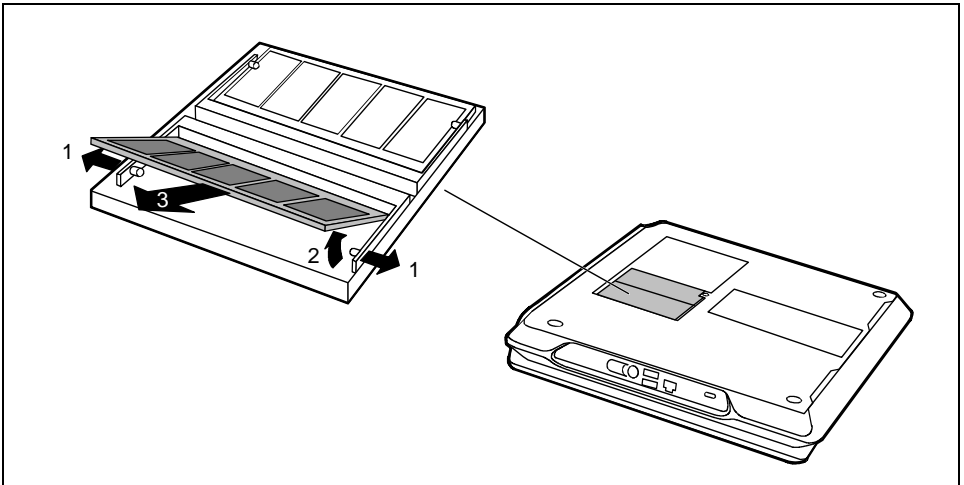
- ▶ Remove the screw (1).
- ▶ Lift the cover off the workstation in the direction of the arrow (2).
- ▶ Pull off the cover from the workstation in the direction of the arrow (3).

Installing memory modules



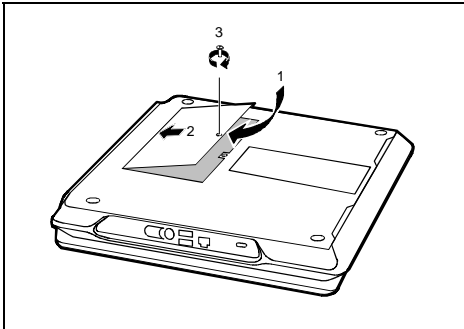
- ▶ Carefully push the two mounting clips outwards (1).
- ▶ Insert the memory module, contacts first, into the slot (2).
- ▶ Carefully push the memory module downwards until you feel it latch into place (3).

Removing memory modules



- ▶ Carefully push the two mounting clips outwards (1).
The memory module will flap upward (2).
- ▶ Pull the memory module out of its slot (3).

Mounting the cover



- ▶ Place the cover on its mounting location (1).
- ▶ Close the cover on the bottom of the workstation (2).
- ▶ Fasten the cover with the screw (3).

- ▶ Refit the battery.
- ▶ Place the workstation right side up on a flat, stable, nonslip surface.
- ▶ Reconnect the cables.

Technical data

Workstation

Processor:	Intel Mobile Pentium III Tualatin 1.13 GHz
Chipset:	Intel 830 MP
Socket:	µFCPGA2
Main memory:	Maximum 1 Gbyte PC 133 SO DIMM 2 slots for 512 Mbyte modules JEDEC 144 pin
Possible modules:	<ul style="list-style-type: none">• Combo drive (CD-RW/DVD)• Floppy disk drive LS-240• Hard disk drive• Battery• DVD drive, 8/20X speed (CD-ROM)• CD-RW drive, 24/4/8X speed

Electrical data

Regulations complied with:	EN60950, IEC60950, UL1950, CSA22.2 No. 950, ISO9241, FCC Part 15 Class B
Protection class:	III
Maximum power draw: (workstation on with battery charging)	80 W

LCD display panel

Display diagonal:	15 Zoll UXGA TFT LVDS-port
Supported screen resolution:	max. UXGA, 1600x1200

Graphics

Chip:	NVIDIA Quadro2go graphics card with DDR RAM
Video memory:	64 MB
Supported resolutions on external monitor:	max. UXGA, 1600x1200
Colour depth:	32 bit

Audio

Sound:	ESS Allegro ES1988
--------	--------------------

Modem (Mini PCI modem)

Combo Modem with LAN 56K, V.90 / Ethernet 10/100, PME, AOL 2.0, WOL
 Combo module: IEEE1394b

Input devices

Keyboard: 88 keys
 Touchpad: 3 keys

Slots

PC Card slots (CardBus/PCMCIA): PCMCIA 2 x Typ II or 1 x Typ III, PC card controller O2 Micro OZ711E1 and OZ6912

Ports

- PS/2 port: 6-pin mini DIN female connector
- Parallel port: 25-pin female connector, bi-directional, ECP capable
- Monitor port: Female connector, DVI-I, 24- and 5-pin (digital and analogue)
- Serial port: 9-pin male connector, RS232C
- Microphone jack: connector, mono
- Headphone port: connector, stereo
- Video port: 7-pin mini DIN female connector
- Modem port: Female connector, RJ-11 once
- USB port (Universal Serial Bus): twice
- Infrared interface: FIrDA 1.1 (Max 4M)
- LAN connector: Female connector, RJ-45
- Kensington Lock

Environmental conditions

Environment class 7K1 DIN IEC 721
 Temperature:
 • Operating (7K1) 5 °C 35 °C
 • Transport (2K2) -15 °C 60 °C

Dimensions

Width/depth/height: 341 mm/278 mm/42 mm
 Weight: approx. 3,3 kg

Battery

Rated voltage:	11,1 V
Rated capacity	66 Wh
Charging time (when not in operation):	3 hours
Operating time with a battery:	approx. > 3 hours (without power management)

Power adapter

Primary

- Rated voltage: 100 V to 240 V (automatic)
- Frequency: 50 Hz to 60 Hz (automatic)

Secondary

- Rated voltage: 19 V
- Max. rated current: 4,2 A

You can readily order an additional power adapter and an additional power cable.

Wireless Keyboard Product Specification

Product	Wireless Keyboard
Radio specification	<ol style="list-style-type: none"> 1. Frequency range: 2.402 – 2.480 GHz 2. RF output Power: Class 3 3. Receiver Sensitivity: -70 dBm at 0.1% BER 4. Cover distance: 3 meter (max)
Electrical characteristics	<ol style="list-style-type: none"> 1. Power supply: Transmitter board at keyboard site will be powered by Li-ion 1100 mAh battery; receiver board at PC site is powered by 5 Volt DC through USB connector 2. Power consumption: 80 mA max. (transmitter board) 3. Visual indicator: LED indicators: CapsLock, NumLock, ScrollLock, Battery status, Bluetooth connection status 4. Auto reconnecting: Automatically reconnect keyboard with notebook PC 5. Battery life: 24 hours (20.000 times key press)

Intended use purpose of the equipment	Notebook with detachable keyboard which can communicate wireless with the notebook
Type of modulation	GFSK
Channel spacing	1 MHz
Designation of emission	ETSI 300.328 ETSI 300 826
Transmit RF power or power range	-6 dBm ~ 0 dBm
Duty cycle	625us
Channel access protocol	TDMA
Duplex direction	Duplex
Antenna Type	Micro Strip ANT Peak Gain > 3 dBi, <- 5 dBi Vswr<= 2 Return loss <= -10 dBm
Reference standard or other specification	Bluetooth spec. V1.1

Index

1

1394 Firewire 43

5

56k modem 42

A

Access, preventing

- floppy disk drive 50
- hard disk drive 50
- system 50

Acoustic warnings 68

ACPI 35

- changing settings 35

Alt Gr key 19

APM 36

- Save to Disk 36
- setting energy-saving modes 36
- suspend to DRAM 36

B

Backtab 22

Battery 30 *see auch* Akku *see* Akku

- capacity 7
- charge status 31
- charging 31
- disposal 7
- important notes 30
- learning cycle 30
- lifetime 30
- removing 32, 33
- self-discharge 7
- storing 7
- symbol 31

Battery charge metre 31

Battery indicator 17, 64

- fails to light 64
- lights green 17, 27
- lights orange 17, 27
- lights red 17, 27

Battery maintenance 31

Battery status indicator *see* Akkuanzeige *see* Akkuanzeige

Battery symbol *see* Akkuanzeige

Beep, error message 68

BIOS setup

- exiting 62

BIOS Setup 61

- operating 61

preventing access 50

preventing calling 50

settings 61

starting 61

Board 5

Buffer battery, load 64

C

CapsLK indicator 18, 27

CardBus *see* PC-Card *see* PC-Card

CD/DVD

inserting 40

removing 40

CD-ROM drive 40

indicator 18, 40

manually opening 41

CD-RW drive 40

indicator 18, 40

CE marking 7

CELSIUS Mobile Driver CD 63

Cleaner diskette 41

Cleaning 9

Closed cover switch 37

Combo drive 40

Configuration, BIOS Setup 61

Connecting

external devices 55

USB port 59

Contents of delivery 11

Copyright-protected technology 6

Ctrl+Alt+Del 22

Ctrl+C 22

D

Damage during transport 11

Data

Audio controller 75

battery 76

dimensions 76

electrical 75

environmental conditions 76

Graphics controller 75

input devices 76

LCD screen 75

modem 76

ports 76

power adapter 77

slots 76

technical 75

battery 76

power supply unit 77

workstation 75

workstation 75

Data protection 50

- Date, not correct 64
 - Date/Time incorrect 64
 - Desktop Area
 - setting 29
 - Devices
 - connecting 55, 59
 - Display
 - blank Display
 - image unstable 65
 - difficult to read 64
 - Display brightness
 - increasing 21, 29
 - reducing 22, 29
 - Display output, switch between 21
 - Disposal 7
 - Drifting screen display 65
 - Driver CD 63
 - DVD-ROM drive 40
 - indicator 18, 40
 - manually opening 41
- E**
- Eject buttons
 - SmartCard 46
 - Electrical data, workstation 75
 - Electromagnetic compatibility 7
 - Emergency removal, CD/DVD 41
 - Energy consumption 34
 - Energy saving 6
 - Energy saving functions 6, 34
 - additional 37
 - closed cover switch 37
 - hard disk timeout 37
 - power button 37
 - standby timeout 37
 - Energy-saving modes 35
 - setting 36
 - Enter key 19
 - Error
 - correction 63
 - Error message
 - acoustic 68
 - on the screen 68
 - ESD 5
 - External devices, connecting 59
 - External monitor
 - indicator synchronising 29
 - External monitor is blank 65
- F**
- Fingerprint 49
 - Firewire 43
 - Floppy disk
 - cannot write 67
 - inserting 42
 - removing 42
 - working with 41
 - write-protection 42
 - Floppy disk drive 41
 - cleaning 41
 - transportation 41
 - Fn+F10 21
 - Fn+F5 21
 - Fn+F6 21
 - Fn+F7 21
 - Fn+F8 21
 - Full-screen, MS-DOS screen 21
- G**
- Guarantee coupon booklet 11
- H**
- Halt an operation 22
 - Hard disk 38
 - restoring the operating system 63
 - Hard disk indicator 18
 - Hard disk password, cancelling 52
 - Hard Disk timeout 37
 - Hardware
 - configuring 61
 - Headphone port 57
- I**
- IEEE1394 (FireWire), connecting 43
 - Important notes 3
 - Indicator
 - CapsLK 18
 - floppy disk drive 18
 - Num Lock 18
 - optical drive 18, 40
 - PC card 17
 - scroll (Scroll Lock) 18
 - Indicators 17
 - Infrared connection 59
 - Infrared software 59
 - Infrared-port 57
 - Initial installation
 - software 14
 - Integrated LAN 43
 - Internal touchpad 21

- K**
- Kensington Lock 53
 - Key
 - Alt Gr 19
 - Backspace 19
 - Caps Lock 19
 - cursor control keys 20
 - Cursor key 20
 - Enter 19
 - Fn 20
 - Fn key 20
 - Fn+F11 21
 - Fn+F12 22
 - Fn+F3 21
 - Fn+F4 21
 - Fn+F9 21
 - menu 20
 - numeric keypad 20
 - Pause 20
 - Return 19
 - Shift 19
 - Shift key+Tab 22
 - Shift+Tab 22
 - Start 20
 - Tab 19
 - Tab key 19
 - Key combination 21, 22
 - Ctrl+C 22
 - Fn+F10 21
 - Fn+F11 21
 - Fn+F12 22
 - Fn+F3 21
 - Fn+F4 21
 - Fn+F5 21
 - Fn+F6 21
 - Fn+F7 21
 - Fn+F8 21
 - Fn+F9 21
 - Keyboard 19
 - cleaning 9
 - external 58
 - removable 52
 - wireless 77
 - Keyboard port 58
- L**
- LAN port 57
 - LAN, integrated 43
 - LCD monitor
 - indicator synchronising 29
 - LCD screen
 - cleaning 9
 - increasing the brightness 21, 29
 - opening 15
 - reducing the brightness 22, 29
 - reflected glare 64
 - remains blank 64
 - setting the Desktop Area 29
 - setting the font size 29
 - settings 29
 - switch off 21
 - technical data 75
 - LCD screen is blank 64
 - LCD-display 17
 - Lifetime, battery 30
 - Loudspeaker 48
 - switching off/on 21
- M**
- Main memory see Speichererweiterung
 - Manual removal, CD/DVD 41
 - Memory
 - expansion 71
 - Memory configuration see Speichererweiterung
 - Memory expansion
 - installing 71
 - mounting the cover 73
 - removing 71
 - removing the cover 71
 - Memory module 71
 - installing 71
 - mounting the cover 73
 - removing 71
 - removing the cover 71
 - Memory module cover
 - mounting 73
 - removing 71
 - Memory modules
 - installing 72
 - removing 72
 - Menu key 20
 - Microphone 48
 - Microphone jack 57
 - Microsoft Backup 63
 - Mobile operation 7
 - Modem 42
 - Modem port 57
 - Module
 - installing 39
 - removing 38
 - Monitor
 - error message 68
 - external 57, 65
 - refresh rate 57
 - remains blank 65
 - Monitor port 57 see Bildschirmschluss
 - Monitor settings 29
 - Mouse
 - does not work 67

- external 58
- PS/2 mouse 58
- serial mouse 58
- Mouse port 58
- MS-DOS screen, enlarge 21

N

- No picture 65
- Notational conventions 2
- Notes 3
 - battery 30
 - boards 5
 - CE marking 7
 - cleaning 9
 - disposal 7
 - energy saving 6
 - manufacturer 6
 - safety 3
 - transporting 7
- Num Lock indicator 27
- Numeric keypad 19, 20
- NumLK indicator 18, 27

O

- Operating from the battery 34
- Operating system, restoring 63
- Operating, workstation 15
- Optical drive 40
 - indicator 18, 40

P

- Packing material 11
- Parallel port 57, 58
- Password
 - supervisor password 51
 - user password 51
- Pause key 20
- PC card 44 see PC-Card
 - eject button, push into 44
 - installing 44
 - removing 45
- PHDISK 37
- Pointer, changing the speed 29
- Pointer, no mouse pointer 67
- Ports 55
- Power adapter connection 57
- Power button 37
- Power indicator 17
- Power supply unit 13
- Power, saving 6
- Power-on indicator 17
- Preparing for use 11
- Printer
 - connecting 58

- does not print 67
 - serial 58
- Property protection 50
- Protection 50
- PS/2 port 57, 58

R

- Recovery CD 63
- Recycling 7

S

- Safety 3
- Save to Disk 36
- Screen saver 50
- Screen too bright 64
- Scroll indicator (Scroll Lock) 27
- Scroll Lock, indicator 18, 27
- Scroll, indicator 18, 27
- Security functions
 - BIOS Setup 50
 - Windows 50
- Security measures 50
- Self-discharge 7
- Serial port 57, 58
 - connecting a mouse 58
 - connecting a printer 58
- Setting the font size 29
- Setup see BIOS-Setup
- Shift key 19
- SmartCard 45
 - inserting 46
 - sliding out 47
- Software
 - installing new software 63
 - new installation 63
- Software, initial installation 14
- Speed Skp
 - switching on 21
- Standby mode
 - terminating 66
- Standby Timeout 37
- Start disk for Windows ME 63
- Start key 20
- Status indicator panel 17
- Storage, battery 7
- Summer time 64
- Supervisor password
 - cancelling 52
 - setting 51
- Suspend mode
 - terminating 66
- Suspend to DRAM 36
- Suspend/Resume button 15
- Symbols, explanation of 2

Symbols, status indicator panel 17
Synchronisation, screen display 29
System access
 preventing unauthorised access 50
System configuration 61
System expansion see Speichererweiterung
System files 63
System settings, BIOS Setup 61
System startup
 from the floppy disk drive
 preventing 50
 preventing from the hard disk drive 50
 preventing system booting from the floppy
 disk drive 50
 preventing system booting from the hard
 disk drive 50
 preventing unauthorised system
 access 50

T

Technical data 75
Time
 not correct 64
Time, daylight savings 64
Tips 63
Touchpad 28
 buttons 28
 cleaning 9
 dragging items 28
 executing commands 28
 moving the pointer 28
 selecting items 28
Transport 7, 8
Travel, workstation 8
Troubleshooting 63
TV-Out socket 57

U

USB devices
 connecting 59
 software 59
USB port 57, 59
 connecting devices 59
User password
 cancelling 52
User Password
 setting 51

V

VGA port see Bildschirmanschluss
Volume
 decreasing 21
 increasing 21

W

Warm boot 22
Wireless data transfer 59
Wireless keyboard 77
Workstation
 before you travel 8
 cleaning 9
 disconnecting devices 55
 operating 15
 operating system not starting 66
 preparation for use 11
 stops working 66
 switching off 16
 switching off via operating system 16
 switching on 15
 transporting 7, 8
Write protection, floppy disk 42



CE Declaration of Conformity

For the following equipment:

Notebook PC

(Product Name)

Celsius Mobile H; WF2H

(Model Designation)

is herewith confirmed to comply with the requirements set out in the Council (European parliament) Directive on the Approximation of the Laws of the Member States relating to Electromagnetic Compatibility of Radio and Telecom device (1999/5/EC). For the evaluation regarding this Directive, the following standards were applied:

ETSI EN 300 328-2: July 2000

ETSI EN 301 489-1 (2000-7), ETSI EN 301 489-17 (2000-9)

EN 60 950:1992 + A1:1993 + A2:1993 + A3:1995 + A4:1996 + A11: 1997

The following importer/manufacturer is responsible for this declaration:

(Company Name, Importer)

(Company Address, Importer)

Person responsible for this declaration:

(Name, Surname, Importer)

(Position/Title)

(Legal Signature)

(Place)

(Date)

QUANTA COMPUTER INC.

(Company Name, Manufacturer)

No.188, Wen Hwa 2nd Rd., Kuei Shan
Hsiang, Tao Yuan, Taiwan, R.O.C.

(Company Address, Manufacturer)

Person responsible for this declaration:

Joyce Kuo

(Name, Surname, Manufacturer)

Coordinator

(Position/Title)

(Legal Signature)

Tao Yuan

(Place)

(Date)
Feb 22, 2002