

RF EXPOSURE REPORT



FCC Applicant: Quanta Computer Inc
No.188, Wenhua 2nd Rd., Guishan Dist., Taoyuan City 33377,
Taiwan (R.O.C)

Product Name: All-in-One PC

Brand Name: HP

Model No.: TPC-Q084-34

Model Difference: N/A

Report Number: E2/2021/40052

FCC ID HFSQTA-NZG

Issue Date: May 20, 2021

Date of Test: April 27, 2021 - May 13, 2021

Date of EUT Received: April 27, 2021

Approved By _____

John Teh
John Teh

We hereby certify that:

The above equipment was verified by SGS Taiwan Ltd. The evaluation in this report is in compliance with FCC Rule Part §2.1091.

The results of this report relate only to the sample identified in this report.

Unless otherwise stated the results shown in this test report refer only to the sample(s) tested and such sample(s) are retained for 90 days only.

除非另有說明，此報告結果僅對測試之樣品負責，同時此樣品僅保留90天。本報告未經本公司書面許可，不可部份複製。

This document is issued by the Company subject to its General Conditions of Service printed overleaf, available on request or accessible at <http://www.sgs.com.tw/Terms-and-Conditions> and for electronic format documents, subject to Terms and Conditions for Electronic Documents at <http://www.sgs.com.tw/Terms-and-Conditions>. Attention is drawn to the limitation of liability, indemnification and jurisdiction issues defined therein. Any holder of this document is advised that information contained hereon reflects the Company's findings at the time of its intervention only and within the limits of Client's instructions, if any. The Company's sole responsibility is to its Client and this document does not exonerate parties to a transaction from exercising all their rights and obligations under the transaction documents. This document cannot be reproduced except in full, without prior written approval of the Company. Any unauthorized alteration, forgery or falsification of the content or appearance of this document is unlawful and offenders may be prosecuted to the fullest extent of the law.

Revision History

Report Number	Revision	Description	Issue Date	Revised By
E2/2021/40052	00	Original.	May 20, 2021	Yami Kuo

Note:

- 1、 Antenna information is provided by the applicant, test results of this report are applicable to the sample EUT received.

Unless otherwise stated the results shown in this test report refer only to the sample(s) tested and such sample(s) are retained for 90 days only.

除非另有說明，此報告結果僅對測試之樣品負責，同時此樣品僅保留90天。本報告未經本公司書面許可，不可部份複製。

This document is issued by the Company subject to its General Conditions of Service printed overleaf, available on request or accessible at <http://www.sgs.com.tw/Terms-and-Conditions> and for electronic format documents, subject to Terms and Conditions for Electronic Documents at <http://www.sgs.com.tw/Terms-and-Conditions>. Attention is drawn to the limitation of liability, indemnification and jurisdiction issues defined therein. Any holder of this document is advised that information contained hereon reflects the Company's findings at the time of its intervention only and within the limits of Client's instructions, if any. The Company's sole responsibility is to its Client and this document does not exonerate parties to a transaction from exercising all their rights and obligations under the transaction documents. This document cannot be reproduced except in full, without prior written approval of the Company. Any unauthorized alteration, forgery or falsification of the content or appearance of this document is unlawful and offenders may be prosecuted to the fullest extent of the law.

1 DESCRIPTION OF EQUIPMENT UNDER TEST (EUT)

1.1 Product Description

Product Name:	All-in-One PC
Brand Name:	HP
Model No.:	TPC-Q084-34
Model Difference:	N/A
Hardware Version:	N/A
Firmware Version:	N/A
Power Supply:	19.5 Vdc from AC/DC Adapter

1.2 Test Facility

Laboratory	Test Site Address		FCC Designation number
SGS Taiwan Ltd. Central RF Lab. (TAF code 3702)	<input type="checkbox"/>	No.134, Wu Kung Road, New Taipei Industrial Park, Wuku District, New Taipei City, Taiwan.	TW0027
	<input checked="" type="checkbox"/>	No.2, Keji 1st Rd., Guishan District, Taoyuan City, Taiwan 333	TW0028

Unless otherwise stated the results shown in this test report refer only to the sample(s) tested and such sample(s) are retained for 90 days only.

除非另有說明，此報告結果僅對測試之樣品負責，同時此樣品僅保留90天。本報告未經本公司書面許可，不可部份複製。

This document is issued by the Company subject to its General Conditions of Service printed overleaf, available on request or accessible at <http://www.sgs.com.tw/Terms-and-Conditions> and for electronic format documents, subject to Terms and Conditions for Electronic Documents at <http://www.sgs.com.tw/Terms-and-Conditions>. Attention is drawn to the limitation of liability, indemnification and jurisdiction issues defined therein. Any holder of this document is advised that information contained hereon reflects the Company's findings at the time of its intervention only and within the limits of Client's instructions, if any. The Company's sole responsibility is to its Client and this document does not exonerate parties to a transaction from exercising all their rights and obligations under the transaction documents. This document cannot be reproduced except in full, without prior written approval of the Company. Any unauthorized alteration, forgery or falsification of the content or appearance of this document is unlawful and offenders may be prosecuted to the fullest extent of the law.

2 MAXIMUM PERMISSIBLE EXPOSURE (MPE)

2.1 Standard Applicable

According to KDB 680106 D01 RF Exposure Wireless Charging App v03

RF exposure potential to users and bystanders is expected to vary according to factors inherent to the design of individual systems, which generally requires different evaluation considerations to show compliance.

When exposure concerns arise; for example, due to evolving products and operations, RF exposure evaluation may be requested under the provisions of Sections 1.1307 (c) and (d) to determine compliance. Because of significant variations in design and operating characteristics, the procedures required to evaluate RF exposure compliance for wireless power transfer are considered according to the exposure potentials of individual implementations

The RF exposure requirements must be determined in conjunction with the device operating characteristics, according to the mobile and portable exposure requirements in Sections 2.1091 and 2.1093 of the rules. SAR and MPE limits do not cover the frequency range for wireless power transfer applications which operate below 100 kHz and 300 kHz respectively; therefore, RF exposure compliance needs to be determined with respect to Sections 1.1307 (c) and (d) of the FCC rules.

2.2 Limits for Maximum Permissive Exposure (MPE)

Emissions between 100 kHz to 300 kHz should be assessed versus the limits at 300 kHz in Table 1 of Section 1.1310: 614 V/m and 1.63 A/m. A KDB inquiry is required to determine the applicable exposure limits below 100 kHz.

TABLE 1—LIMITS FOR MAXIMUM PERMISSIBLE EXPOSURE (MPE)

Frequency range (MHz)	Electric field strength (V/m)	Magnetic field strength (A/m)	Power density (mW/cm ²)	Averaging time (minutes)
(A) Limits for Occupational/Controlled Exposure				
0.3-3.0	614	1.63	*100	6
3.0-30	1842/f	4.89/f	*900/f ²	6
30-300	61.4	0.163	1.0	6
300-1,500			f/300	6
1,500-100,000			5	6
(B) Limits for General Population/Uncontrolled Exposure				
0.3-1.34	614	1.63	*100	30
1.34-30	824/f	2.19/f	*180/f ²	30
30-300	27.5	0.073	0.2	30
300-1,500			f/1500	30
1,500-100,000			1.0	30

f = frequency in MHz * = Plane-wave equivalent power density

Unless otherwise stated the results shown in this test report refer only to the sample(s) tested and such sample(s) are retained for 90 days only.

除非另有說明，此報告結果僅對測試之樣品負責，同時此樣品僅保留90天。本報告未經本公司書面許可，不可部份複製。

This document is issued by the Company subject to its General Conditions of Service printed overleaf, available on request or accessible at <http://www.sgs.com.tw/Terms-and-Conditions> and for electronic format documents, subject to Terms and Conditions for Electronic Documents at <http://www.sgs.com.tw/Terms-and-Conditions>. Attention is drawn to the limitation of liability, indemnification and jurisdiction issues defined therein. Any holder of this document is advised that information contained hereon reflects the Company's findings at the time of its intervention only and within the limits of Client's instructions, if any. The Company's sole responsibility is to its Client and this document does not exonerate parties to a transaction from exercising all their rights and obligations under the transaction documents. This document cannot be reproduced except in full, without prior written approval of the Company. Any unauthorized alteration, forgery or falsification of the content or appearance of this document is unlawful and offenders may be prosecuted to the fullest extent of the law.

2.3 The Worst Charging Condition:

Ancillary Equipment	Charging Condition	Verdict
Load	Full Loading	PASS
Load	99% Loading	PASS
Load	50% Loading	PASS
Load	1% Loading	PASS

Note: For Wireless Power Consortium Qi specification, a lower operating frequency or high duty cycle result in the transfer of a higher amount of power and charging current.

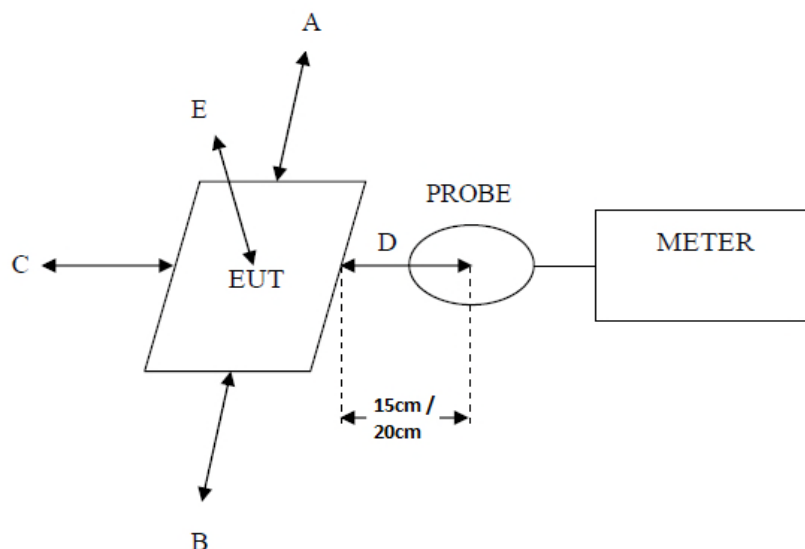
2.4 Measurement Procedure:

For devices designed for typical desktop applications, such a wireless charging pads, RF exposure evaluation should be conducted assuming a user separation distance. E and H field strength measurements or numerical modeling may be used to demonstrate compliance. Measurements should be made from all sides and the top of the primary/client pair, with proper distances measured from the center of the probe(s) to the edge of the device as per KDB 680106 D01.

2.5 Measurement Equipment Used:

EQUIPMENT TYPE	MFR	MODEL NUMBER	SERIAL NUMBER	LAST CAL.	CAL DUE.
EM RADIATION METER	Wandel&Goltermann	EMR-30	M-0006	2020/10/08	2021/10/07

2.6 Test Set-up:



Unless otherwise stated the results shown in this test report refer only to the sample(s) tested and such sample(s) are retained for 90 days only.

除非另有說明，此報告結果僅對測試之樣品負責，同時此樣品僅保留90天。本報告未經本公司書面許可，不可部份複製。

This document is issued by the Company subject to its General Conditions of Service printed overleaf, available on request or accessible at <http://www.sgs.com.tw/Terms-and-Conditions> and for electronic format documents, subject to Terms and Conditions for Electronic Documents at <http://www.sgs.com.tw/Terms-and-Conditions>. Attention is drawn to the limitation of liability, indemnification and jurisdiction issues defined therein. Any holder of this document is advised that information contained hereon reflects the Company's findings at the time of its intervention only and within the limits of Client's instructions, if any. The Company's sole responsibility is to its Client and this document does not exonerate parties to a transaction from exercising all their rights and obligations under the transaction documents. This document cannot be reproduced except in full, without prior written approval of the Company. Any unauthorized alteration, forgery or falsification of the content or appearance of this document is unlawful and offenders may be prosecuted to the fullest extent of the law.

2.7 Maximum Permissible Exposure (MPE) Evaluation:

Loading

full	Maximum Permissible Exposure			
	Probe from EUT Side	Test Distance	V/m	A/m
	Front	10 cm	0.43	0.0013
	Back	10 cm	0.75	0.0015
	Left	10 cm	0.51	0.0019
	Right	10 cm	0.65	0.0018
	Top	10 cm	1.01	0.0025
	Bottom	10 cm	0.50	0.0014
	Limit		614	0.815

99%	Maximum Permissible Exposure			
	Probe from EUT Side	Test Distance	V/m	A/m
	Front	10 cm	0.42	0.0015
	Back	10 cm	0.76	0.0017
	Left	10 cm	0.51	0.0018
	Right	10 cm	0.62	0.0019
	Top	10 cm	1.01	0.0027
	Bottom	10 cm	0.50	0.0013
	Limit		614	0.815

90%	Maximum Permissible Exposure			
	Probe from EUT Side	Test Distance	V/m	A/m
	Front	10 cm	0.44	0.0013
	Back	10 cm	0.77	0.0015
	Left	10 cm	0.49	0.0015
	Right	10 cm	0.63	0.0018
	Top	10 cm	1.02	0.0027
	Bottom	10 cm	0.47	0.0013
	Limit		614	0.815

Unless otherwise stated the results shown in this test report refer only to the sample(s) tested and such sample(s) are retained for 90 days only.

除非另有說明，此報告結果僅對測試之樣品負責，同時此樣品僅保留90天。本報告未經本公司書面許可，不可部份複製。

This document is issued by the Company subject to its General Conditions of Service printed overleaf, available on request or accessible at <http://www.sgs.com.tw/Terms-and-Conditions> and for electronic format documents, subject to Terms and Conditions for Electronic Documents at <http://www.sgs.com.tw/Terms-and-Conditions>. Attention is drawn to the limitation of liability, indemnification and jurisdiction issues defined therein. Any holder of this document is advised that information contained hereon reflects the Company's findings at the time of its intervention only and within the limits of Client's instructions, if any. The Company's sole responsibility is to its Client and this document does not exonerate parties to a transaction from exercising all their rights and obligations under the transaction documents. This document cannot be reproduced except in full, without prior written approval of the Company. Any unauthorized alteration, forgery or falsification of the content or appearance of this document is unlawful and offenders may be prosecuted to the fullest extent of the law.

50%	Maximum Permissible Exposure			
	Probe from EUT Side	Test Distance	V/m	A/m
	Front	10 cm	0.42	0.0013
	Back	10 cm	0.73	0.0015
	Left	10 cm	0.51	0.0017
	Right	10 cm	0.65	0.0020
	Top	10 cm	1.00	0.0027
	Bottom	10 cm	0.48	0.0013
	Limit		614	0.815

10%	Maximum Permissible Exposure			
	Probe from EUT Side	Test Distance	V/m	A/m
	Front	10 cm	0.43	0.0016
	Back	10 cm	0.75	0.0014
	Left	10 cm	0.52	0.0015
	Right	10 cm	0.65	0.0017
	Top	10 cm	0.99	0.0027
	Bottom	10 cm	0.50	0.0012
	Limit		614	0.815

1%	Maximum Permissible Exposure			
	Probe from EUT Side	Test Distance	V/m	A/m
	Front	10 cm	0.44	0.0015
	Back	10 cm	0.75	0.0014
	Left	10 cm	0.51	0.0018
	Right	10 cm	0.66	0.0020
	Top	10 cm	0.99	0.0026
	Bottom	10 cm	0.48	0.0014
	Limit		614	0.815

Unless otherwise stated the results shown in this test report refer only to the sample(s) tested and such sample(s) are retained for 90 days only.

除非另有說明，此報告結果僅對測試之樣品負責，同時此樣品僅保留90天。本報告未經本公司書面許可，不可部份複製。

This document is issued by the Company subject to its General Conditions of Service printed overleaf, available on request or accessible at <http://www.sgs.com.tw/Terms-and-Conditions> and for electronic format documents, subject to Terms and Conditions for Electronic Documents at <http://www.sgs.com.tw/Terms-and-Conditions>. Attention is drawn to the limitation of liability, indemnification and jurisdiction issues defined therein. Any holder of this document is advised that information contained hereon reflects the Company's findings at the time of its intervention only and within the limits of Client's instructions, if any. The Company's sole responsibility is to its Client and this document does not exonerate parties to a transaction from exercising all their rights and obligations under the transaction documents. This document cannot be reproduced except in full, without prior written approval of the Company. Any unauthorized alteration, forgery or falsification of the content or appearance of this document is unlawful and offenders may be prosecuted to the fullest extent of the law.

Loading

full	Maximum Permissible Exposure			
	Probe from EUT Side	Test Distance	V/m	A/m
	Front	15 cm	0.38	0.0012
	Back	15 cm	0.69	0.0013
	Left	15 cm	0.42	0.0017
	Right	15 cm	0.54	0.0016
	Top	15 cm	0.60	0.0013
	Bottom	15 cm	0.45	0.0011
	Limit		614	0.815

99%	Maximum Permissible Exposure			
	Probe from EUT Side	Test Distance	V/m	A/m
	Front	15 cm	0.37	0.0013
	Back	15 cm	0.67	0.0015
	Left	15 cm	0.43	0.0017
	Right	15 cm	0.54	0.0018
	Top	15 cm	0.57	0.0012
	Bottom	15 cm	0.45	0.0011
	Limit		614	0.815

90%	Maximum Permissible Exposure			
	Probe from EUT Side	Test Distance	V/m	A/m
	Front	15 cm	0.36	0.0012
	Back	15 cm	0.66	0.0014
	Left	15 cm	0.45	0.0013
	Right	15 cm	0.54	0.0015
	Top	15 cm	0.60	0.0015
	Bottom	15 cm	0.44	0.0011
	Limit		614	0.815

Unless otherwise stated the results shown in this test report refer only to the sample(s) tested and such sample(s) are retained for 90 days only.

除非另有說明，此報告結果僅對測試之樣品負責，同時此樣品僅保留90天。本報告未經本公司書面許可，不可部份複製。

This document is issued by the Company subject to its General Conditions of Service printed overleaf, available on request or accessible at <http://www.sgs.com.tw/Terms-and-Conditions> and for electronic format documents, subject to Terms and Conditions for Electronic Documents at <http://www.sgs.com.tw/Terms-and-Conditions>. Attention is drawn to the limitation of liability, indemnification and jurisdiction issues defined therein. Any holder of this document is advised that information contained hereon reflects the Company's findings at the time of its intervention only and within the limits of Client's instructions, if any. The Company's sole responsibility is to its Client and this document does not exonerate parties to a transaction from exercising all their rights and obligations under the transaction documents. This document cannot be reproduced except in full, without prior written approval of the Company. Any unauthorized alteration, forgery or falsification of the content or appearance of this document is unlawful and offenders may be prosecuted to the fullest extent of the law.

50%	Maximum Permissible Exposure			
	Probe from EUT Side	Test Distance	V/m	A/m
	Front	15 cm	0.37	0.0013
	Back	15 cm	0.69	0.0013
	Left	15 cm	0.42	0.0013
	Right	15 cm	0.55	0.0016
	Top	15 cm	0.59	0.0013
	Bottom	15 cm	0.45	0.0013
	Limit		614	0.815

10%	Maximum Permissible Exposure			
	Probe from EUT Side	Test Distance	V/m	A/m
	Front	15 cm	0.38	0.0012
	Back	15 cm	0.68	0.0012
	Left	15 cm	0.46	0.0015
	Right	15 cm	0.54	0.0015
	Top	15 cm	0.60	0.0013
	Bottom	15 cm	0.46	0.0009
	Limit		614	0.815

1%	Maximum Permissible Exposure			
	Probe from EUT Side	Test Distance	V/m	A/m
	Front	15 cm	0.36	0.0010
	Back	15 cm	0.69	0.0014
	Left	15 cm	0.44	0.0014
	Right	15 cm	0.56	0.0019
	Top	15 cm	0.58	0.0012
	Bottom	15 cm	0.46	0.0013
	Limit		614	0.815

Unless otherwise stated the results shown in this test report refer only to the sample(s) tested and such sample(s) are retained for 90 days only.

除非另有說明，此報告結果僅對測試之樣品負責，同時此樣品僅保留90天。本報告未經本公司書面許可，不可部份複製。

This document is issued by the Company subject to its General Conditions of Service printed overleaf, available on request or accessible at <http://www.sgs.com.tw/Terms-and-Conditions> and for electronic format documents, subject to Terms and Conditions for Electronic Documents at <http://www.sgs.com.tw/Terms-and-Conditions>. Attention is drawn to the limitation of liability, indemnification and jurisdiction issues defined therein. Any holder of this document is advised that information contained hereon reflects the Company's findings at the time of its intervention only and within the limits of Client's instructions, if any. The Company's sole responsibility is to its Client and this document does not exonerate parties to a transaction from exercising all their rights and obligations under the transaction documents. This document cannot be reproduced except in full, without prior written approval of the Company. Any unauthorized alteration, forgery or falsification of the content or appearance of this document is unlawful and offenders may be prosecuted to the fullest extent of the law.

Loading

full	Maximum Permissible Exposure			
	Probe from EUT Side	Test Distance	V/m	A/m
	Front	20 cm	0.35	0.0008
	Back	20 cm	0.44	0.0012
	Left	20 cm	0.41	0.0015
	Right	20 cm	0.51	0.0016
	Top	20 cm	0.53	0.0013
	Bottom	20 cm	0.46	0.0011
	Limit		614	0.815

99%	Maximum Permissible Exposure			
	Probe from EUT Side	Test Distance	V/m	A/m
	Front	20 cm	0.36	0.0010
	Back	20 cm	0.45	0.0015
	Left	20 cm	0.42	0.0013
	Right	20 cm	0.49	0.0014
	Top	20 cm	0.52	0.0012
	Bottom	20 cm	0.45	0.0010
	Limit		614	0.815

90%	Maximum Permissible Exposure			
	Probe from EUT Side	Test Distance	V/m	A/m
	Front	20 cm	0.34	0.0008
	Back	20 cm	0.45	0.0012
	Left	20 cm	0.41	0.0012
	Right	20 cm	0.47	0.0014
	Top	20 cm	0.52	0.0013
	Bottom	20 cm	0.43	0.0010
	Limit		614	0.815

Unless otherwise stated the results shown in this test report refer only to the sample(s) tested and such sample(s) are retained for 90 days only.

除非另有說明，此報告結果僅對測試之樣品負責，同時此樣品僅保留90天。本報告未經本公司書面許可，不可部份複製。

This document is issued by the Company subject to its General Conditions of Service printed overleaf, available on request or accessible at <http://www.sgs.com.tw/Terms-and-Conditions> and for electronic format documents, subject to Terms and Conditions for Electronic Documents at <http://www.sgs.com.tw/Terms-and-Conditions>. Attention is drawn to the limitation of liability, indemnification and jurisdiction issues defined therein. Any holder of this document is advised that information contained hereon reflects the Company's findings at the time of its intervention only and within the limits of Client's instructions, if any. The Company's sole responsibility is to its Client and this document does not exonerate parties to a transaction from exercising all their rights and obligations under the transaction documents. This document cannot be reproduced except in full, without prior written approval of the Company. Any unauthorized alteration, forgery or falsification of the content or appearance of this document is unlawful and offenders may be prosecuted to the fullest extent of the law.

50%	Maximum Permissible Exposure			
	Probe from EUT Side	Test Distance	V/m	A/m
	Front	20 cm	0.35	0.0009
	Back	20 cm	0.46	0.0011
	Left	20 cm	0.39	0.0011
	Right	20 cm	0.51	0.0015
	Top	20 cm	0.54	0.0012
	Bottom	20 cm	0.43	0.0012
	Limit		614	0.815

10%	Maximum Permissible Exposure			
	Probe from EUT Side	Test Distance	V/m	A/m
	Front	20 cm	0.36	0.0006
	Back	20 cm	0.43	0.0012
	Left	20 cm	0.41	0.0013
	Right	20 cm	0.51	0.0014
	Top	20 cm	0.53	0.0012
	Bottom	20 cm	0.42	0.0008
	Limit		614	0.815

1%	Maximum Permissible Exposure			
	Probe from EUT Side	Test Distance	V/m	A/m
	Front	20 cm	0.36	0.0010
	Back	20 cm	0.44	0.0014
	Left	20 cm	0.40	0.0013
	Right	20 cm	0.51	0.0017
	Top	20 cm	0.53	0.0010
	Bottom	20 cm	0.43	0.0011
	Limit		614	0.815

Unless otherwise stated the results shown in this test report refer only to the sample(s) tested and such sample(s) are retained for 90 days only.

除非另有說明，此報告結果僅對測試之樣品負責，同時此樣品僅保留90天。本報告未經本公司書面許可，不可部份複製。

This document is issued by the Company subject to its General Conditions of Service printed overleaf, available on request or accessible at <http://www.sgs.com.tw/Terms-and-Conditions> and for electronic format documents, subject to Terms and Conditions for Electronic Documents at <http://www.sgs.com.tw/Terms-and-Conditions>. Attention is drawn to the limitation of liability, indemnification and jurisdiction issues defined therein. Any holder of this document is advised that information contained hereon reflects the Company's findings at the time of its intervention only and within the limits of Client's instructions, if any. The Company's sole responsibility is to its Client and this document does not exonerate parties to a transaction from exercising all their rights and obligations under the transaction documents. This document cannot be reproduced except in full, without prior written approval of the Company. Any unauthorized alteration, forgery or falsification of the content or appearance of this document is unlawful and offenders may be prosecuted to the fullest extent of the law.