

## System Check\_H750

Frequency: 750 MHz; Duty Cycle: 1:1; Room Ambient Temperature: 23.0°C; Liquid Temperature: 22.0°C

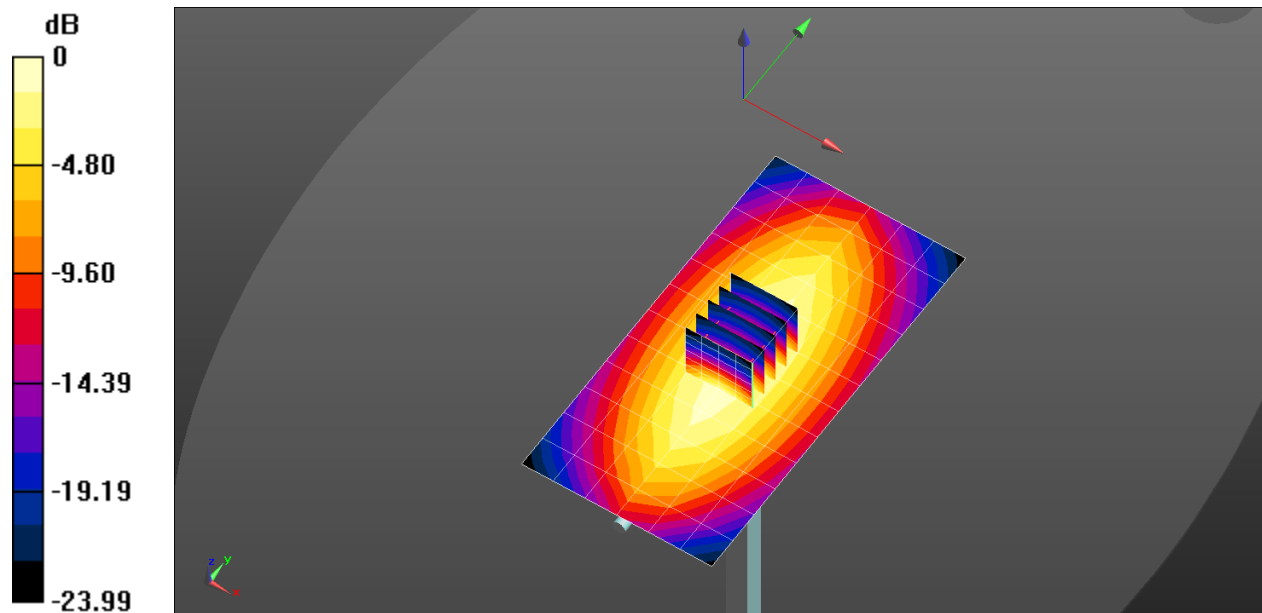
Medium parameters used:  $f = 750$  MHz;  $\sigma = 0.906$  S/m;  $\epsilon_r = 42.576$ ;  $\rho = 1000$  kg/m<sup>3</sup>

DASY5 Configuration:

- Area Scan Setting: Find Secondary Maximum Within: 2.0 dB and with a peak SAR value greater than 0.0012W/kg
- Electronics: DAE4 Sn1289; Calibrated: 2022/5/31
- Probe: EX3DV4 - SN7678; ConvF(11.14, 11.14, 11.14) @ 750 MHz; Calibrated: 2022/8/30
- Sensor-Surface: 1.4mm (Mechanical Surface Detection), Sensor-Surface: 2mm (Mechanical Surface Detection)
- Phantom: ELI V8.0 (20deg probe tilt); Type: QD OVA 004 Ax; Serial: 2149

**Configuration/Pin=250mW/Area Scan (7x13x1):** Measurement grid: dx=15mm, dy=15mm  
Maximum value of SAR (measured) = 2.98 W/kg

**Configuration/Pin=250mW/Zoom Scan (5x5x7)/Cube 0:** Measurement grid: dx=8mm, dy=8mm, dz=5mm  
Reference Value = 58.80 V/m; Power Drift = -0.04 dB  
Peak SAR (extrapolated) = 3.15 W/kg  
**SAR(1 g) = 2.19 W/kg; SAR(10 g) = 1.44 W/kg**  
Smallest distance from peaks to all points 3 dB below = 22.6 mm  
Ratio of SAR at M2 to SAR at M1 = 68.6%  
Maximum value of SAR (measured) = 2.74 W/kg



0 dB = 2.98 W/kg = 4.74 dBW/kg

## System Check\_H900

Frequency: 900 MHz; Duty Cycle: 1:1; Room Ambient Temperature: 23.0°C; Liquid Temperature: 22.0°C

Medium parameters used:  $f = 900 \text{ MHz}$ ;  $\sigma = 0.96 \text{ S/m}$ ;  $\epsilon_r = 42.776$ ;  $\rho = 1000 \text{ kg/m}^3$

DASY5 Configuration:

- Area Scan Setting: Find Secondary Maximum Within: 2.0 dB and with a peak SAR value greater than 0.0012W/kg
- Electronics: DAE4 Sn1289; Calibrated: 2022/5/31
- Probe: EX3DV4 - SN7678; ConvF(10.6, 10.6, 10.6) @ 900 MHz; Calibrated: 2022/8/30
- Sensor-Surface: 1.4mm (Mechanical Surface Detection)
- Phantom: ELI V8.0 (20deg probe tilt); Type: QD OVA 004 Ax; Serial: 2149

**Configuration/Pin=250mW/Area Scan (7x13x1):** Measurement grid: dx=15mm, dy=15mm

Maximum value of SAR (measured) = 3.46 W/kg

**Configuration/Pin=250mW/Zoom Scan (5x5x7)/Cube 0:** Measurement grid:

dx=8mm, dy=8mm, dz=5mm

Reference Value = 59.65 V/m; Power Drift = -0.01 dB

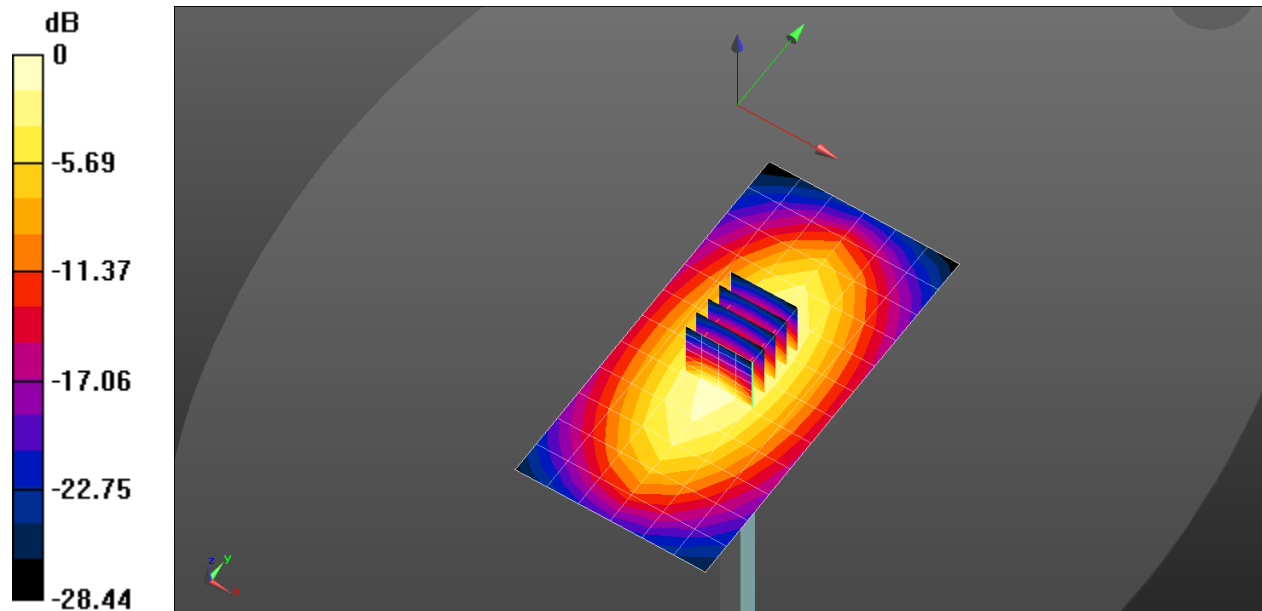
Peak SAR (extrapolated) = 3.93 W/kg

**SAR(1 g) = 2.58 W/kg; SAR(10 g) = 1.7 W/kg**

Smallest distance from peaks to all points 3 dB below = 16 mm

Ratio of SAR at M2 to SAR at M1 = 65.8%

Maximum value of SAR (measured) = 3.47 W/kg



0 dB = 3.46 W/kg = 5.39 dBW/kg

## System Check\_H1800

Frequency: 1800 MHz; Duty Cycle: 1:1; Room Ambient Temperature: 23.0°C; Liquid Temperature: 22.0°C

Medium parameters used:  $f = 1800$  MHz;  $\sigma = 1.377$  S/m;  $\epsilon_r = 41.42$ ;  $\rho = 1000$  kg/m<sup>3</sup>

DASY5 Configuration:

- Area Scan Setting: Find Secondary Maximum Within: 2.0 dB and with a peak SAR value greater than 0.0012W/kg
- Electronics: DAE4 Sn1289; Calibrated: 2022/5/31
- Probe: EX3DV4 - SN7678; ConvF(8.63, 8.63, 8.63) @ 1800 MHz; Calibrated: 2022/8/30
- Sensor-Surface: 1.4mm (Mechanical Surface Detection)
- Phantom: ELI V8.0 (20deg probe tilt); Type: QD OVA 004 Ax; Serial: 2149

**Configuration/Pin=250mW/Area Scan (8x8x1):** Measurement grid: dx=12mm, dy=12mm

Maximum value of SAR (measured) = 13.3 W/kg

**Configuration/Pin=250mW/Zoom Scan (7x7x7)/Cube 0:** Measurement grid:

dx=5mm, dy=5mm, dz=5mm

Reference Value = 100.8 V/m; Power Drift = -0.04 dB

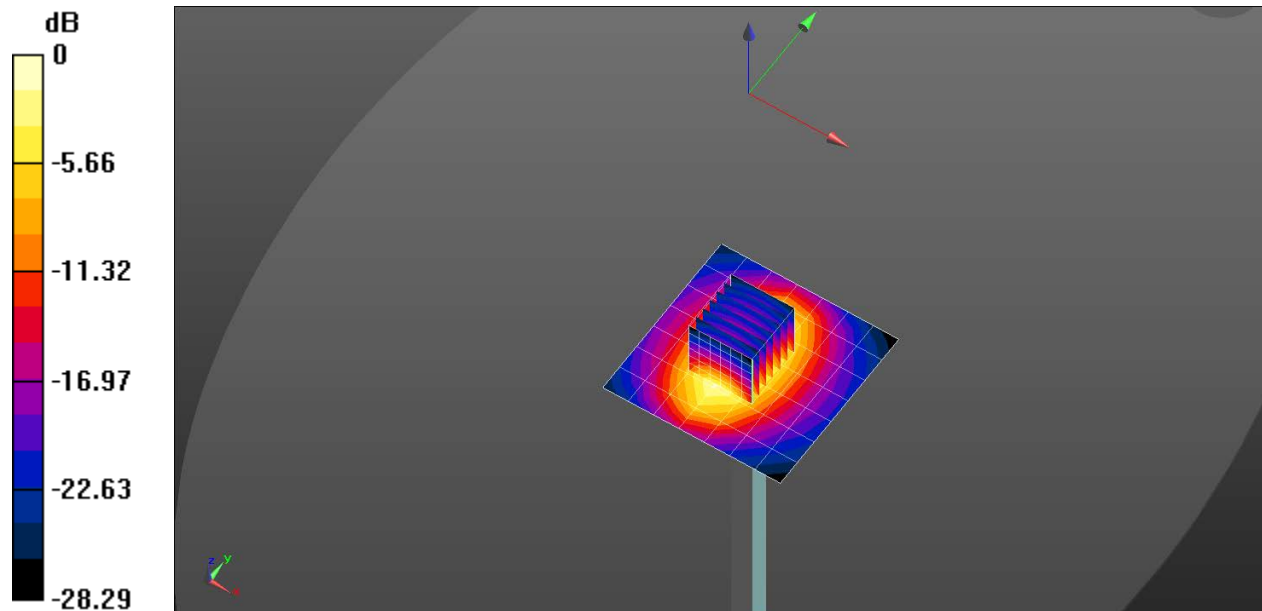
Peak SAR (extrapolated) = 16.8 W/kg

**SAR(1 g) = 9.29 W/kg; SAR(10 g) = 4.9 W/kg**

Smallest distance from peaks to all points 3 dB below = 10 mm

Ratio of SAR at M2 to SAR at M1 = 55.4%

Maximum value of SAR (measured) = 14.3 W/kg



$$0 \text{ dB} = 13.3 \text{ W/kg} = 11.24 \text{ dBW/kg}$$

## System Check\_H1900

Frequency: 1900 MHz; Duty Cycle: 1:1; Room Ambient Temperature: 23.0°C; Liquid Temperature: 22.0°C

Medium parameters used:  $f = 1900$  MHz;  $\sigma = 1.412$  S/m;  $\epsilon_r = 41.054$ ;  $\rho = 1000$  kg/m<sup>3</sup>

DASY5 Configuration:

- Area Scan Setting: Find Secondary Maximum Within: 2.0 dB and with a peak SAR value greater than 0.0012W/kg
- Electronics: DAE4 Sn1289; Calibrated: 2022/5/31
- Probe: EX3DV4 - SN7678; ConvF(8.55, 8.55, 8.55) @ 1900 MHz; Calibrated: 2022/8/30
- Sensor-Surface: 1.4mm (Mechanical Surface Detection)
- Phantom: ELI V8.0 (20deg probe tilt); Type: QD OVA 004 Ax; Serial: 2149

**Configuration/Pin=250mW/Area Scan (7x7x1):** Measurement grid: dx=15mm, dy=15mm

Maximum value of SAR (measured) = 14.9 W/kg

**Configuration/Pin=250mW/Zoom Scan (5x5x7)/Cube 0:** Measurement grid:

dx=8mm, dy=8mm, dz=5mm

Reference Value = 104.5 V/m; Power Drift = -0.09 dB

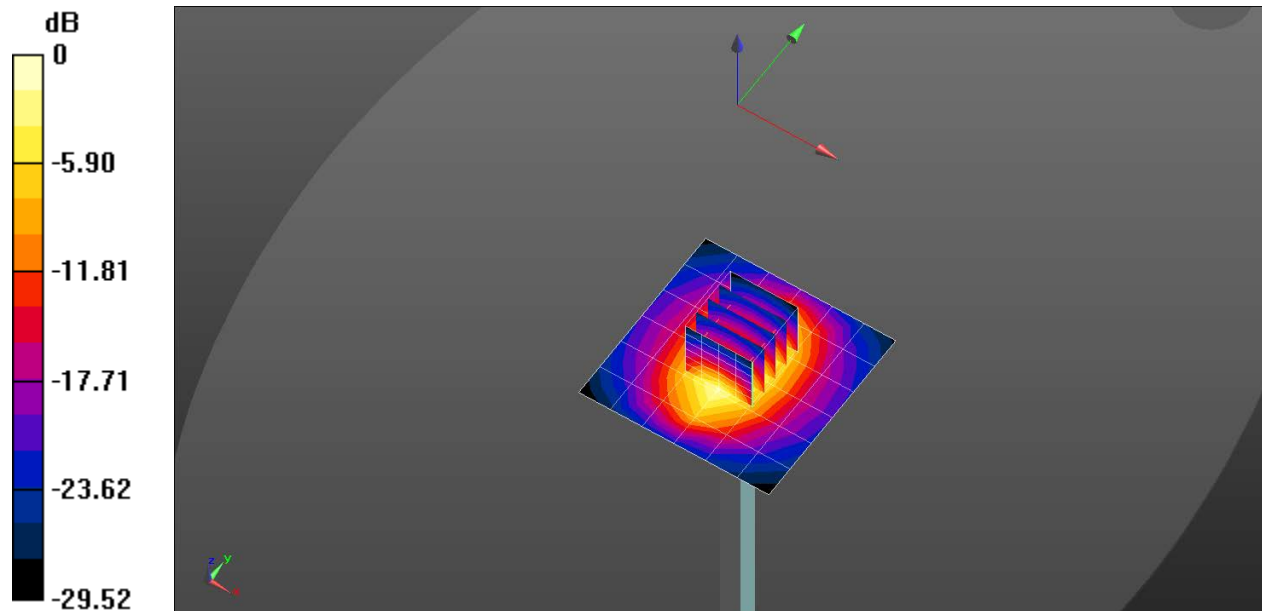
Peak SAR (extrapolated) = 17.3 W/kg

**SAR(1 g) = 9.53 W/kg; SAR(10 g) = 4.97 W/kg**

Smallest distance from peaks to all points 3 dB below = 10.7 mm

Ratio of SAR at M2 to SAR at M1 = 54.6%

Maximum value of SAR (measured) = 14.7 W/kg



0 dB = 14.9 W/kg = 11.72 dBW/kg

## System Check\_H2300

Frequency: 2300 MHz; Duty Cycle: 1:1; Room Ambient Temperature: 23.0°C; Liquid Temperature: 22.0°C

Medium parameters used:  $f = 2300$  MHz;  $\sigma = 1.683$  S/m;  $\epsilon_r = 40.982$ ;  $\rho = 1000$  kg/m<sup>3</sup>

DASY5 Configuration:

- Area Scan Setting: Find Secondary Maximum Within: 2.0 dB and with a peak SAR value greater than 0.0012W/kg
- Electronics: DAE4 Sn1289; Calibrated: 2022/5/31
- Probe: EX3DV4 - SN7678; ConvF(8.53, 8.53, 8.53) @ 2300 MHz; Calibrated: 2022/8/30
- Sensor-Surface: 1.4mm (Mechanical Surface Detection)
- Phantom: ELI V8.0 (20deg probe tilt); Type: QD OVA 004 Ax; Serial: 2149

## System Performance Check at Frequencies above 1 GHz/Pin=250mW

**/Area Scan (9x9x1):** Measurement grid: dx=12mm, dy=12mm

Maximum value of SAR (measured) = 20.8 W/kg

## System Performance Check at Frequencies above 1 GHz/Pin=250mW

**/Zoom Scan (7x7x7)/Cube 0:** Measurement grid: dx=5mm, dy=5mm, dz=5mm

Reference Value = 115.8 V/m; Power Drift = -0.00 dB

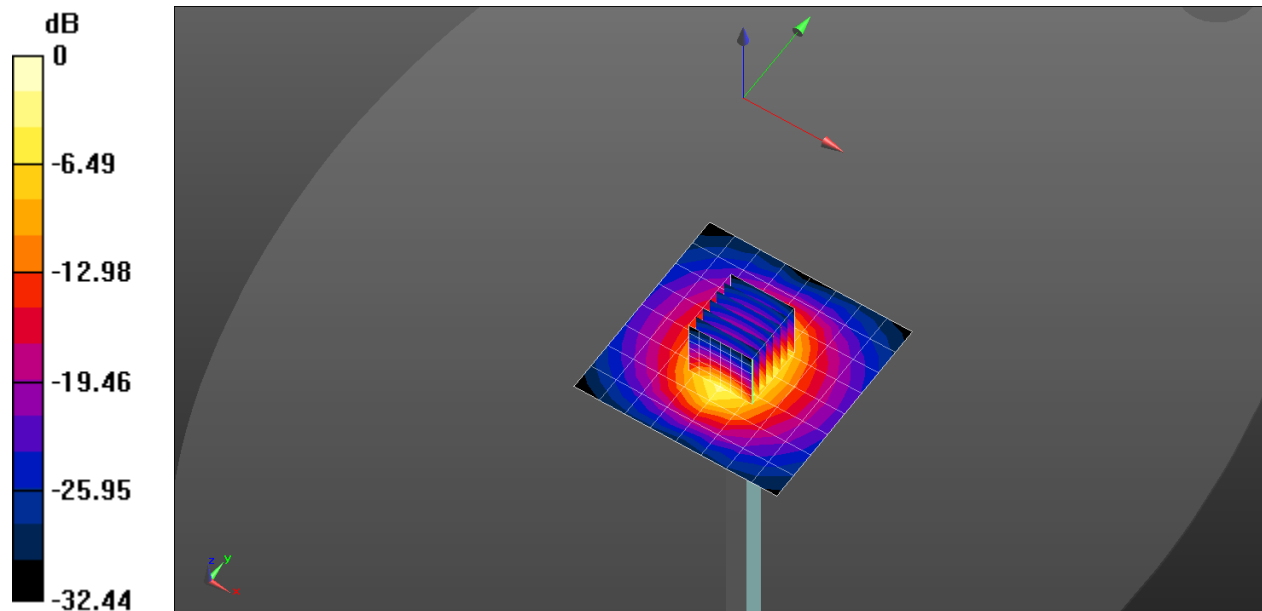
Peak SAR (extrapolated) = 26.0 W/kg

**SAR(1 g) = 12.3 W/kg; SAR(10 g) = 5.63 W/kg**

Smallest distance from peaks to all points 3 dB below = 9 mm

Ratio of SAR at M2 to SAR at M1 = 46.8%

Maximum value of SAR (measured) = 20.9 W/kg



0 dB = 20.8 W/kg = 13.18 dBW/kg

## System Check\_H2600

Frequency: 2600 MHz; Duty Cycle: 1:1; Room Ambient Temperature: 23.0°C; Liquid Temperature: 22.0°C

Medium parameters used:  $f = 2600$  MHz;  $\sigma = 2.014$  S/m;  $\epsilon_r = 37.41$ ;  $\rho = 1000$  kg/m<sup>3</sup>

DASY5 Configuration:

- Area Scan Setting: Find Secondary Maximum Within: 2.0 dB and with a peak SAR value greater than 0.0012W/kg
- Electronics: DAE4 Sn1289; Calibrated: 2022/5/31
- Probe: EX3DV4 - SN7678; ConvF(8.11, 8.11, 8.11) @ 2600 MHz; Calibrated: 2022/8/30
- Sensor-Surface: 1.4mm (Mechanical Surface Detection)
- Phantom: ELI V8.0 (20deg probe tilt); Type: QD OVA 004 Ax; Serial: 2149

## System Performance Check at Frequencies above 1

**GHz/Pin=250mW/Area Scan (9x9x1):** Measurement grid: dx=12mm, dy=12mm

Maximum value of SAR (measured) = 25.1 W/kg

## System Performance Check at Frequencies above 1

**GHz/Pin=250mW/Zoom Scan (7x7x7)/Cube 0:** Measurement grid: dx=5mm, dy=5mm, dz=5mm

Reference Value = 116.1 V/m; Power Drift = 0.03 dB

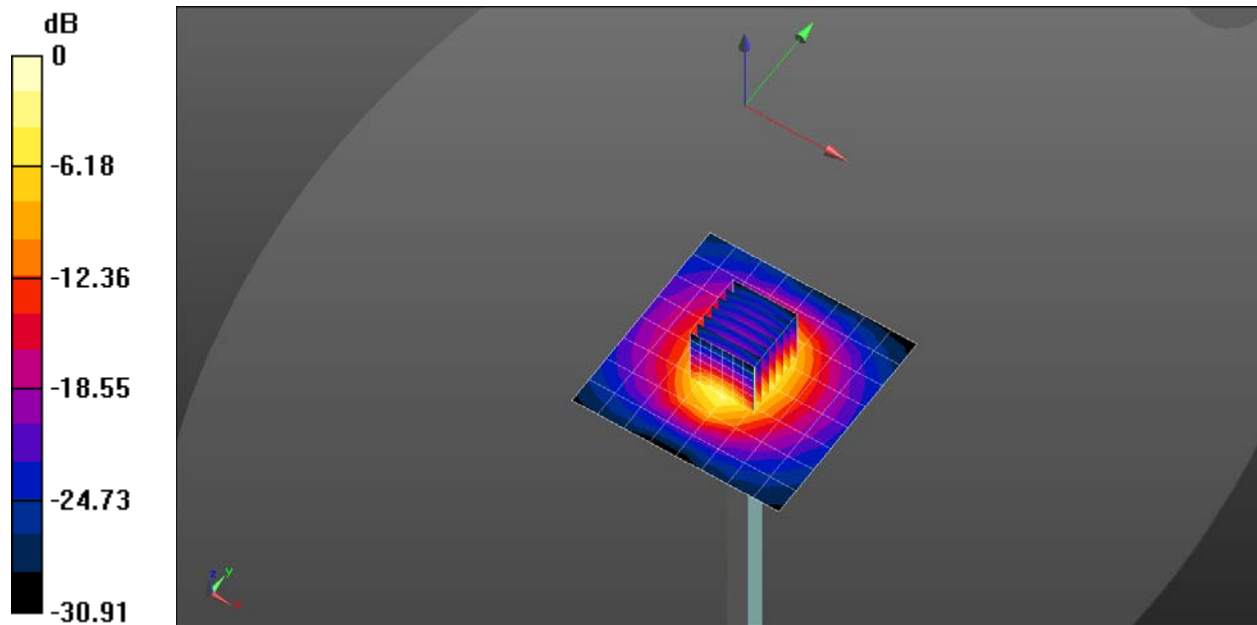
Peak SAR (extrapolated) = 32.1 W/kg

**SAR(1 g) = 15 W/kg; SAR(10 g) = 6.82 W/kg**

Smallest distance from peaks to all points 3 dB below = 9.8 mm

Ratio of SAR at M2 to SAR at M1 = 45.9%

Maximum value of SAR (measured) = 25.7 W/kg



0 dB = 25.1 W/kg = 14.00 dBW/kg

## System Check\_H3500

Frequency: 3500 MHz; Duty Cycle: 1:1; Room Ambient Temperature: 23.0°C; Liquid Temperature: 22.0°C

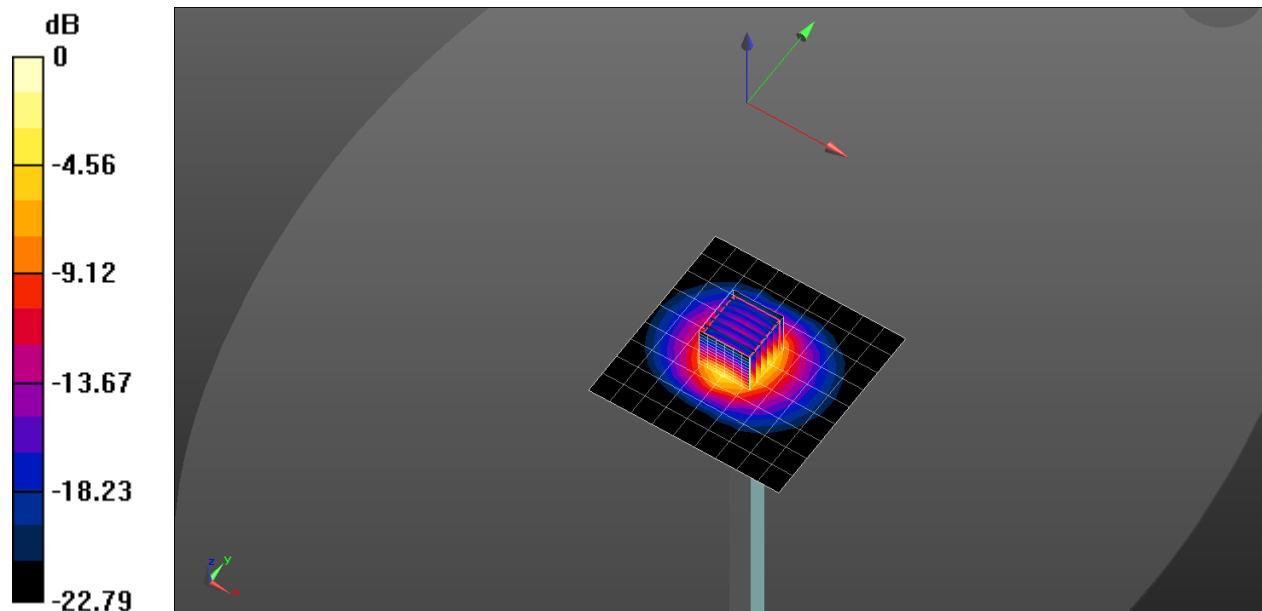
Medium parameters used:  $f = 3500$  MHz;  $\sigma = 2.877$  S/m;  $\epsilon_r = 38.343$ ;  $\rho = 1000$  kg/m<sup>3</sup>

DASY5 Configuration:

- Area Scan Setting: Find Secondary Maximum Within: 2.0 dB and with a peak SAR value greater than 0.0012W/kg
- Electronics: DAE4 Sn1289; Calibrated: 2022/5/31
- Probe: EX3DV4 - SN7678; ConvF(7.1, 7.1, 7.1) @ 3500 MHz; Calibrated: 2022/8/30
- Sensor-Surface: 1.4mm (Mechanical Surface Detection (Locations From Previous Scan Used)), Sensor-Surface: 1.4mm (Mechanical Surface Detection)
- Phantom: ELI V8.0 (20deg probe tilt); Type: QD OVA 004 Ax; Serial: 2149

**Configuration/Pin=100mW/Area Scan (10x10x1):** Measurement grid: dx=10mm, dy=10mm  
Maximum value of SAR (measured) = 11.5 W/kg

**Configuration/Pin=100mW/Zoom Scan (7x7x12)/Cube 0:** Measurement grid: dx=4mm, dy=4mm, dz=2mm  
Reference Value = 57.03 V/m; Power Drift = 0.08 dB  
Peak SAR (extrapolated) = 15.9 W/kg  
**SAR(1 g) = 6.32 W/kg; SAR(10 g) = 2.43 W/kg**  
Smallest distance from peaks to all points 3 dB below = 8.4 mm  
Ratio of SAR at M2 to SAR at M1 = 68.1%  
Maximum value of SAR (measured) = 12.1 W/kg



0 dB = 12.1 W/kg = 10.83 dBW/kg

## System Check\_H3700

Frequency: 3700 MHz; Duty Cycle: 1:1; Room Ambient Temperature: 23.0°C; Liquid Temperature: 22.0°C

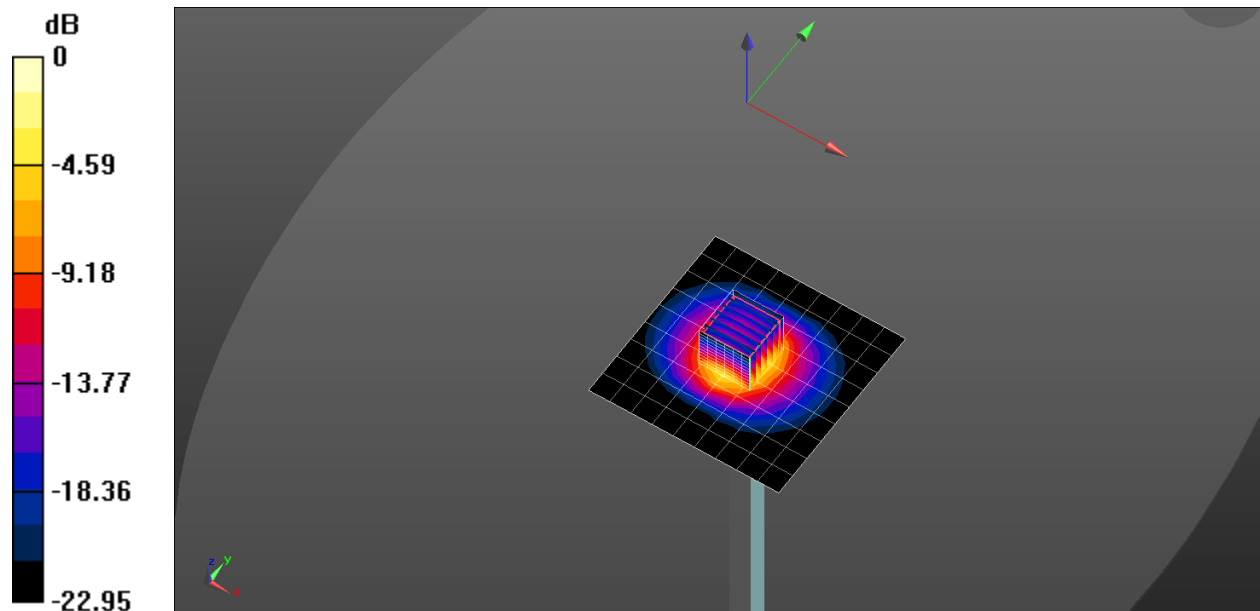
Medium parameters used:  $f = 3700$  MHz;  $\sigma = 3.085$  S/m;  $\epsilon_r = 37.986$ ;  $\rho = 1000$  kg/m<sup>3</sup>

DASY5 Configuration:

- Area Scan Setting: Find Secondary Maximum Within: 2.0 dB and with a peak SAR value greater than 0.0012W/kg
- Electronics: DAE4 Sn1289; Calibrated: 2022/5/31
- Probe: EX3DV4 - SN7678; ConvF(7.06, 7.06, 7.06) @ 3700 MHz; Calibrated: 2022/8/30
- Sensor-Surface: 1.4mm (Mechanical Surface Detection (Locations From Previous Scan Used)), Sensor-Surface: 1.4mm (Mechanical Surface Detection)
- Phantom: ELI V8.0 (20deg probe tilt); Type: QD OVA 004 Ax; Serial: 2149

**Configuration/Pin=100mW/Area Scan (10x10x1):** Measurement grid: dx=10mm, dy=10mm  
Maximum value of SAR (measured) = 11.9 W/kg

**Configuration/Pin=100mW/Zoom Scan (7x7x12)/Cube 0:** Measurement grid: dx=4mm, dy=4mm, dz=2mm  
Reference Value = 56.71 V/m; Power Drift = 0.17 dB  
Peak SAR (extrapolated) = 16.9 W/kg  
**SAR(1 g) = 6.7 W/kg; SAR(10 g) = 2.57 W/kg**  
Smallest distance from peaks to all points 3 dB below = 8.4 mm  
Ratio of SAR at M2 to SAR at M1 = 68%  
Maximum value of SAR (measured) = 12.9 W/kg



0 dB = 12.9 W/kg = 11.11 dBW/kg