

Partial FCC Test Report

Report No.: RF180921C06-3

FCC ID: HFSQTA-9560NGW

Test Model: D11

Received Date: Sep. 21, 2018

Test Date: Oct. 31, 2018 ~ Dec. 27, 2018

Issued Date: Dec. 28, 2018

Applicant: Quanta Computer Inc.

Address: No.188, Wenhua 2nd Rd., Guishan Dist., Taoyuan City 33377, Taiwan
(R.O.C.)

Issued By: Bureau Veritas Consumer Products Services (H.K.) Ltd., Taoyuan Branch

Lab Address: No. 47-2, 14th Ling, Chia Pau Vil., Lin Kou Dist., New Taipei City, Taiwan
(R.O.C)

Test Location: B2F., No.215, Sec. 3, Beixin Rd., Xindian Dist., New Taipei City, Taiwan

**FCC Registration /
Designation Number:** 427177 / TW0011



This report is for your exclusive use. Any copying or replication of this report to or for any other person or entity, or use of our name or trademark, is permitted only with our prior written permission. This report sets forth our findings solely with respect to the test samples identified herein. The results set forth in this report are not indicative or representative of the quality or characteristics of the lot from which a test sample was taken or any similar or identical product unless specifically and expressly noted. Our report includes all of the tests requested by you and the results thereof based upon the information that you provided to us. You have 60 days from date of issuance of this report to notify us of any material error or omission caused by our negligence, provided, however, that such notice shall be in writing and shall specifically address the issue you wish to raise. A failure to raise such issue within the prescribed time shall constitute your unqualified acceptance of the completeness of this report, the tests conducted and the correctness of the report contents. Unless specific mention, the uncertainty of measurement has been explicitly taken into account to declare the compliance or non-compliance to the specification. The report must not be used by the client to claim product certification, approval, or endorsement by TAF or any government agencies.

Table of Contents

| | |
|--|-----------|
| Release Control Record | 3 |
| 1 Certificate of Conformity | 4 |
| 2 Summary of Test Results | 5 |
| 2.1 Measurement Uncertainty..... | 5 |
| 2.2 Modification Record | 5 |
| 3 General Information | 6 |
| 3.1 General Description of EUT | 6 |
| 3.2 Description of Test Modes..... | 8 |
| 3.2.1 Test Mode Applicability and Tested Channel Detail..... | 11 |
| 3.3 Description of Support Units | 13 |
| 3.3.1 Configuration of System under Test | 13 |
| 3.4 General Description of Applied Standards..... | 13 |
| 4 Test Types and Results | 14 |
| 4.1 Radiated Emission and Bandedge Measurement | 14 |
| 4.1.1 Limits of Radiated Emission and Bandedge Measurement | 14 |
| 4.1.2 Limits of Unwanted Emission Out of the Restricted Bands..... | 15 |
| 4.1.3 Test Instruments | 16 |
| 4.1.4 Test Procedures..... | 17 |
| 4.1.5 Deviation from Test Standard | 18 |
| 4.1.6 Test Setup..... | 18 |
| 4.1.7 EUT Operating Conditions..... | 19 |
| 4.1.8 Test Results | 20 |
| 4.2 Conducted Emission Measurement..... | 64 |
| 4.2.1 Limits of Conducted Emission Measurement | 64 |
| 4.2.2 Test Instruments | 64 |
| 4.2.3 Test Procedures..... | 65 |
| 4.2.4 Deviation from Test Standard | 65 |
| 4.2.5 Test Setup..... | 65 |
| 4.2.6 EUT Operating Conditions..... | 65 |
| 4.2.7 Test Results | 66 |
| 4.3 Transmit Power Measurement..... | 68 |
| 4.3.1 Limits of Transmit Power Measurement | 68 |
| 4.3.2 Test Setup..... | 68 |
| 4.3.3 Test Instruments | 69 |
| 4.3.4 Test Procedure | 69 |
| 4.3.5 Deviation from Test Standard | 69 |
| 4.3.6 EUT Operating Conditions..... | 69 |
| 4.3.7 Test Results | 70 |
| 5 Pictures of Test Arrangements | 72 |
| Annex A- Radiated Out of Band Emision (OOBE) Measurement (For U-NII-3 band) | 73 |
| Appendix – Information on the Testing Laboratories | 76 |



Release Control Record

| Issue No. | Description | Date Issued |
|---------------|------------------|---------------|
| RF180921C06-3 | Original Release | Dec. 28, 2018 |

1 Certificate of Conformity

Product: Notebook Computer

Brand: Quanta

Test Model: D11

Sample Status: ENGINEERING SAMPLE

Applicant: Quanta Computer Inc.

Test Date: Oct. 31, 2018 ~ Dec. 27, 2018

Standards: 47 CFR FCC Part 15, Subpart E (Section 15.407)
ANSI C63.10:2013

The above equipment has been tested by **Bureau Veritas Consumer Products Services (H.K.) Ltd., Taoyuan Branch**, and found compliance with the requirement of the above standards. The test record, data evaluation & Equipment Under Test (EUT) configurations represented herein are true and accurate accounts of the measurements of the sample's RF characteristics under the conditions specified in this report.

Prepared by : Gina Liu , **Date:** Dec. 28, 2018
Gina Liu / Specialist

Approved by : Dylan Chiou , **Date:** Dec. 28, 2018
Dylan Chiou / Project Engineer

2 Summary of Test Results

| 47 CFR FCC Part 15, Subpart E (Section 15.407) | | | |
|--|--|--------|---|
| FCC Clause | Test Item | Result | Remarks |
| 15.407(b)(6) | AC Power Conducted Emissions | Pass | Meet the requirement of limit. Minimum passing margin is -8.28 dB at 0.17734 MHz. |
| 15.407(b) (1/2/3/4(i/ii)/6) | Radiated Emissions & Band Edge Measurement | Pass | Meet the requirement of limit. Minimum passing margin is -1.17 dB at 5149.70 MHz. |
| 15.407(a)(1/2/3) | Max Average Transmit Power | Pass | Meet the requirement of limit. |
| --- | Occupied Bandwidth Measurement | N/A | Refer to Note |
| 15.407(a)(1/2/3) | Peak Power Spectral Density | N/A | Refer to Note |
| 15.407(e) | 6 dB Bandwidth | N/A | Refer to Note |
| 15.407(g) | Frequency Stability | N/A | Refer to Note |
| 15.203 | Antenna Requirement | N/A | Refer to Note |

*For U-NII-3 band compliance with rule part 15.407(b)(4)(i), the OOB test plots were recorded in Annex A.

Note: This report is a partial report, only test item of Radiated Emissions tests and Average Transmit Power were performed for this report. Other testing data please refer to Intel report no.: 170524-02.TR01, 170524-02.TR02 and 170524-02.TR03 for module (Brand: Intel, Model: 9560NGW).

2.1 Measurement Uncertainty

Where relevant, the following measurement uncertainty levels have been estimated for tests performed on the EUT as specified in CISPR 16-4-2:

| Measurement | Frequency | Expanded Uncertainty (k=2) (±) |
|------------------------------------|--------------------|--------------------------------|
| Conducted Emissions at mains ports | 150 kHz ~ 30 MHz | 2.44 dB |
| Radiated Emissions up to 1 GHz | 30 MHz ~ 200 MHz | 2.0153 dB |
| | 200 MHz ~ 1000 MHz | 2.0224 dB |
| Radiated Emissions above 1 GHz | 1 GHz ~ 18 GHz | 1.0121 dB |
| | 18 GHz ~ 40 GHz | 1.1508 dB |

2.2 Modification Record

There were no modifications required for compliance.

3 General Information

3.1 General Description of EUT

| | |
|------------------------------|--|
| Product | Notebook Computer |
| Brand | Quanta |
| Test Model | D11 |
| Status of EUT | ENGINEERING SAMPLE |
| Power Supply Rating | 5 or 9 or 15 or 20 Vdc (adapter) 11.55 Vdc (battery) |
| Modulation Type | 256QAM, 64QAM, 16QAM, QPSK, BPSK |
| Modulation Technology | OFDM |
| Transfer Rate | 802.11a: 54.0/ 48.0/ 36.0/ 24.0/ 18.0/ 12.0/ 9.0/ 6.0 Mbps 802.11n: up to 300.0 Mbps 802.11ac: up to 1733.3 Mbps |
| Operating Frequency | 5180 ~ 5250 MHz, 5260 ~ 5320 MHz, 5500 ~ 5720 MHz, 5745 ~ 5825 MHz |
| Number of Channel | 5180 ~ 5250 MHz: 4 for 802.11a, 802.11n (HT20) 2 for 802.11n (HT40) 1 for 802.11ac (VHT80) 1 for 802.11 ac (VHT160) 5260 ~ 5320 MHz: 4 for 802.11a, 802.11n (HT20) 2 for 802.11n (HT40) 1 for 802.11ac (VHT80) 5500 ~ 5720 MHz: 11 for 802.11a 12 for 802.11n (HT20) 6 for 802.11n (HT40) 3 for 802.11ac (VHT80) 1 for 802.11 ac (VHT160) 5745 ~ 5825 MHz: 5 for 802.11a, 802.11n (HT20) 2 for 802.11n (HT40) 1 for 802.11ac (VHT80) |
| Output Power | 177.011 mW for 5180 ~ 5250 MHz 189.671 mW for 5260 ~ 5320 MHz 236.048 mW for 5500 ~ 5720 MHz 261.818 mW for 5745 ~ 5825 MHz |
| Antenna Type | Refer to Note as below |
| Antenna Connector | N/A |
| Accessory Device | Refer to Note as below |
| Data Cable Supplied | N/A |

Note:

1. The WLAN/BT module (Brand: Intel, Model: 9560NGW) was installed in the EUT.
2. The EUT incorporates a MIMO function. Physically, the EUT provides two completed transmitters and two receivers.

| Modulation Mode | Tx Function |
|-------------------|-------------|
| 802.11a | 1TX |
| 802.11n (HT20) | 2TX |
| 802.11n (HT40) | 2TX |
| 802.11ac (VHT80) | 2TX |
| 802.11ac (VHT160) | 2TX |

3. The antenna information is listed as below.

| Antenna Type | Manuf. | Mode | Parts Number | Antenna Gain (dBi) | | | |
|--------------|--------|--------|--|----------------------------|---------------------------|---------------------------|---------------------------|
| | | | | BT/WLAN 2.4GHz | WLAN 5.15~5.35 GHz | WLAN 5.47~5.725 GHz | WLAN 5.725~5.85 GHz |
| PIFA | AWAN | Tablet | Main Antenna: DQ60ANF6Y18 (ANF6Y-100060) Aux. Antenna: DQ60ANF6Y19 (ANF6Y-100061) | Main: -1.68 Aux.: -0.73 | Main: 1.58 Aux.: -0.78 | Main: 0.93 Aux.: -0.15 | Main: 0.67 Aux.: -0.17 |
| | | NB | | Main: -2.63 Aux.: -2.28 | Main: 1.93 Aux.: 1.95 | Main: 0.18 Aux.: 0.44 | Main: -0.02 Aux.: 0.74 |

4. The EUT contains following accessory devices.

| Product | Brand | Model | Description |
|---------|------------------------|------------|---|
| Adapter | Chicony | A16-045N1A | I/P: 100-240 Vac, 50-60 Hz, 1.2 A O/P: 5 Vdc, 3 A, 9 Vdc, 3 A, 15 Vdc, 3 A, 20 Vdc, 2.25 A, 45W Max. 1.45M/0 core |
| Battery | SIMPLOTECHNOLOGY COLTD | 916QA112H | 11.5 Vdc, 4940 mAh |

5. The above EUT information is declared by manufacturer and for more detailed features description, please refers to the manufacturer's specifications or user's manual.

3.2 Description of Test Modes

For 5180 ~ 5250 MHz

4 channels are provided for 802.11a, 802.11n (HT20):

| Channel | Frequency (MHz) | Channel | Frequency (MHz) |
|---------|-----------------|---------|-----------------|
| 36 | 5180 | 44 | 5220 |
| 40 | 5200 | 48 | 5240 |

2 channels are provided for 802.11n (HT40):

| Channel | Frequency (MHz) | Channel | Frequency (MHz) |
|---------|-----------------|---------|-----------------|
| 38 | 5190 | 46 | 5230 |

1 channel is provided for 802.11ac (VHT80):

| Channel | Frequency (MHz) |
|---------|-----------------|
| 42 | 5210 |

1 channel is provided for 802.11ac (VHT160):

| Channel | Frequency (MHz) |
|---------|-----------------|
| 50 | 5250 |

For 5260 ~ 5320 MHz

4 channels are provided for 802.11a, 802.11n (HT20):

| Channel | Frequency (MHz) | Channel | Frequency (MHz) |
|---------|-----------------|---------|-----------------|
| 52 | 5260 | 60 | 5300 |
| 56 | 5280 | 64 | 5320 |

2 channels are provided for 802.11n (HT40):

| Channel | Frequency (MHz) | Channel | Frequency (MHz) |
|---------|-----------------|---------|-----------------|
| 54 | 5270 | 62 | 5310 |

1 channel is provided for 802.11ac (VHT80):

| Channel | Frequency (MHz) |
|---------|-----------------|
| 58 | 5290 |

For 5500 ~ 5720 MHz

11 channels are provided for 802.11a:

| Channel | Frequency (MHz) | Channel | Frequency (MHz) |
|---------|-----------------|---------|-----------------|
| 100 | 5500 | 124 | 5620 |
| 104 | 5520 | 128 | 5640 |
| 108 | 5540 | 132 | 5660 |
| 112 | 5560 | 136 | 5680 |
| 116 | 5580 | 140 | 5700 |
| 120 | 5600 | | |

12 channels are provided for 802.11n (HT20):

| Channel | Frequency (MHz) | Channel | Frequency (MHz) |
|---------|-----------------|---------|-----------------|
| 100 | 5500 | 124 | 5620 |
| 104 | 5520 | 128 | 5640 |
| 108 | 5540 | 132 | 5660 |
| 112 | 5560 | 136 | 5680 |
| 116 | 5580 | 140 | 5700 |
| 120 | 5600 | 144 | 5720 |

6 channels are provided for 802.11n (HT40):

| Channel | Frequency (MHz) | Channel | Frequency (MHz) |
|---------|-----------------|---------|-----------------|
| 102 | 5510 | 126 | 5630 |
| 110 | 5550 | 134 | 5670 |
| 118 | 5590 | 142 | 5710 |

3 channels are provided for 802.11ac (VHT80):

| Channel | Frequency (MHz) | Channel | Frequency (MHz) |
|---------|-----------------|---------|-----------------|
| 106 | 5530 | 138 | 5690 |
| 122 | 5610 | | |

1 channel is provided for 802.11ac (VHT160):

| Channel | Frequency (MHz) |
|---------|-----------------|
| 114 | 5570 |

For 5745 ~ 5825 MHz:

5 channels are provided for 802.11a, 802.11n (HT20):

| Channel | Frequency (MHz) | Channel | Frequency (MHz) |
|---------|-----------------|---------|-----------------|
| 149 | 5745 | 161 | 5805 |
| 153 | 5765 | 165 | 5825 |
| 157 | 5785 | | |

2 channels are provided for 802.11n (HT40):

| Channel | Frequency (MHz) | Channel | Frequency (MHz) |
|---------|-----------------|---------|-----------------|
| 151 | 5755 | 159 | 5795 |

1 channel is provided for 802.11ac (VHT80):

| Channel | Frequency (MHz) |
|---------|-----------------|
| 155 | 5775 |

3.2.1 Test Mode Applicability and Tested Channel Detail

| EUT Configure Mode | Applicable To | | | | Description |
|--------------------|---------------|-----------|-----|------|-------------|
| | RE \geq 1G | RE $<$ 1G | PLC | APCM | |
| - | √ | √ | √ | √ | - |

Where **RE \geq 1G**: Radiated Emission above 1 GHz

RE $<$ 1G: Radiated Emission below 1 GHz

PLC: Power Line Conducted Emission

APCM: Antenna Port Conducted Measurement

Note:

1. The EUT had been pre-tested on the positioned of each 3 axis and NB mode. The worst case was found when positioned on **Z-plane**.
2. The worst case was found when positioned on NB mode for Output Power test.
3. "-" means no effect.

Radiated Emission Test (Above 1 GHz):

- Pre-Scan has been conducted to determine the worst-case mode from all possible combinations between available modulations, data rates and antenna ports (if EUT with antenna diversity architecture).
- Following channel(s) was (were) selected for the final test as listed below.

| EUT Configure Mode | Frequency Band (MHz) | Mode | Available Channel | Tested Channel | Modulation Technology | Modulation Type | Data Rate (Mbps) |
|--------------------|----------------------|-------------------|-------------------|--------------------|-----------------------|-----------------|------------------|
| - | 5180-5250 | 802.11a | 36 to 48 | 36, 40, 48 | OFDM | BPSK | 6.0 |
| - | | 802.11n (HT20) | 36 to 48 | 36, 40, 48 | OFDM | BPSK | 6.5 |
| - | | 802.11n (HT40) | 38 to 46 | 38, 46 | OFDM | BPSK | 13.5 |
| - | | 802.11ac (VHT80) | 42 | 42 | OFDM | BPSK | 29.3 |
| - | | 802.11ac (VHT160) | 50 | 50 | OFDM | BPSK | 58.5 |
| - | 5260-5320 | 802.11a | 52 to 64 | 52, 60, 64 | OFDM | BPSK | 6.0 |
| - | | 802.11n (HT20) | 52 to 64 | 52, 60, 64 | OFDM | BPSK | 6.5 |
| - | | 802.11n (HT40) | 54 to 62 | 54, 62 | OFDM | BPSK | 13.5 |
| - | | 802.11ac (VHT80) | 58 | 58 | OFDM | BPSK | 29.3 |
| - | 5500-5720 | 802.11a | 100 to 140 | 100, 116, 140 | OFDM | BPSK | 6.0 |
| - | | 802.11n (HT20) | 100 to 144 | 100, 116, 140, 144 | OFDM | BPSK | 6.5 |
| - | | 802.11n (HT40) | 102 to 142 | 102, 110, 134, 142 | OFDM | BPSK | 13.5 |
| - | | 802.11ac (VHT80) | 106 to 138 | 106, 122, 138 | OFDM | BPSK | 29.3 |
| - | | 802.11ac (VHT160) | 114 | 114 | OFDM | BPSK | 58.5 |
| - | 5745-5825 | 802.11a | 149 to 165 | 149, 157, 165 | OFDM | BPSK | 6.0 |
| - | | 802.11n (HT20) | 149 to 165 | 149, 157, 165 | OFDM | BPSK | 6.5 |
| - | | 802.11n (HT40) | 151 to 159 | 151, 159 | OFDM | BPSK | 13.5 |
| - | | 802.11ac (VHT80) | 155 | 155 | OFDM | BPSK | 29.3 |

Radiated Emission Test (Below 1 GHz):

- Pre-Scan has been conducted to determine the worst-case mode from all possible combinations between available modulations, data rates and antenna ports (if EUT with antenna diversity architecture).
- Following channel(s) was (were) selected for the final test as listed below.

| EUT Configure Mode | Frequency Band (MHz) | Mode | Available Channel | Tested Channel | Modulation Technology | Modulation Type | Data Rate (Mbps) |
|--------------------|----------------------|----------------|-------------------|----------------|-----------------------|-----------------|------------------|
| - | 5180-5250 | 802.11n (HT20) | 36 to 48 | 36 | OFDM | BPSK | 6.5 |

Power Line Conducted Emission Test:

- Pre-Scan has been conducted to determine the worst-case mode from all possible combinations between available modulations, data rates and antenna ports (if EUT with antenna diversity architecture).
- Following channel(s) was (were) selected for the final test as listed below.

| EUT Configure Mode | Frequency Band (MHz) | Mode | Available Channel | Tested Channel | Modulation Technology | Modulation Type | Data Rate (Mbps) |
|--------------------|----------------------|----------------|-------------------|----------------|-----------------------|-----------------|------------------|
| - | 5180-5250 | 802.11n (HT20) | 36 to 48 | 36 | OFDM | BPSK | 6.5 |

Antenna Port Conducted Measurement:

- This item includes all test value of each mode, but only includes spectrum plot of worst value of each mode.
- Pre-Scan has been conducted to determine the worst-case mode from all possible combinations between available modulations, data rates and antenna ports (if EUT with antenna diversity architecture).
- Following channel(s) was (were) selected for the final test as listed below.

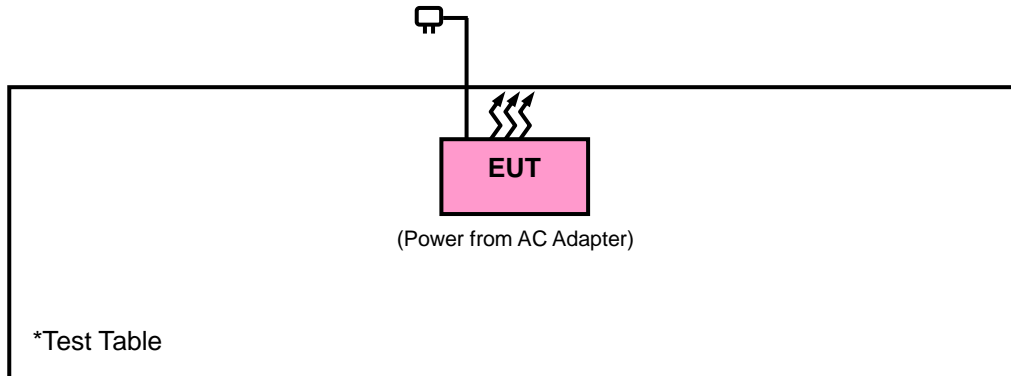
| EUT Configure Mode | Frequency Band (MHz) | Mode | Available Channel | Tested Channel | Modulation Technology | Modulation Type | Data Rate (Mbps) |
|--------------------|----------------------|-------------------|-------------------|--------------------|-----------------------|-----------------|------------------|
| - | 5180-5250 | 802.11a | 36 to 48 | 36, 40, 48 | OFDM | BPSK | 6.0 |
| - | | 802.11n (HT20) | 36 to 48 | 36, 40, 48 | OFDM | BPSK | 6.5 |
| - | | 802.11n (HT40) | 38 to 46 | 38, 46 | OFDM | BPSK | 13.5 |
| - | | 802.11ac (VHT80) | 42 | 42 | OFDM | BPSK | 29.3 |
| - | | 802.11ac (VHT160) | 50 | 50 | OFDM | BPSK | 58.5 |
| - | 5260-5320 | 802.11a | 52 to 64 | 52, 60, 64 | OFDM | BPSK | 6.0 |
| - | | 802.11n (HT20) | 52 to 64 | 52, 60, 64 | OFDM | BPSK | 6.5 |
| - | | 802.11n (HT40) | 54 to 62 | 54, 62 | OFDM | BPSK | 13.5 |
| - | | 802.11ac (VHT80) | 58 | 58 | OFDM | BPSK | 29.3 |
| - | 5500-5720 | 802.11a | 100 to 144 | 100, 116, 140 | OFDM | BPSK | 6.0 |
| - | | 802.11n (HT20) | 100 to 144 | 100, 116, 140, 144 | OFDM | BPSK | 6.5 |
| - | | 802.11n (HT40) | 102 to 142 | 102, 110, 134, 142 | OFDM | BPSK | 13.5 |
| - | | 802.11ac (VHT80) | 106 to 138 | 106, 122, 138 | OFDM | BPSK | 29.3 |
| - | | 802.11ac (VHT160) | 114 | 114 | OFDM | BPSK | 58.5 |
| - | 5745-5825 | 802.11a | 149 to 165 | 149, 157, 165 | OFDM | BPSK | 6.0 |
| - | | 802.11n (HT20) | 149 to 165 | 149, 157, 165 | OFDM | BPSK | 6.5 |
| - | | 802.11n (HT40) | 151 to 159 | 151, 159 | OFDM | BPSK | 13.5 |
| - | | 802.11ac (VHT80) | 155 | 155 | OFDM | BPSK | 29.3 |

Test Condition:

| Applicable To | Environmental Conditions | Input Power | Tested by |
|---------------|--------------------------|----------------|--------------------------------------|
| RE \geq 1G | 25 deg. C, 65 % RH | 120 Vac, 60 Hz | Karl Lee, Charles Hsiao, Harry Hsueh |
| RE $<$ 1G | 25 deg. C, 65 % RH | 120 Vac, 60 Hz | Harry Hsueh |
| PLC | 25 deg. C, 65 % RH | 120 Vac, 60 Hz | Thomas Wei |
| APCM | 25 deg. C, 65 % RH | 120 Vac, 60 Hz | Frank Chiu |

3.3 Description of Support Units

3.3.1 Configuration of System under Test



3.4 General Description of Applied Standards

The EUT is a RF Product. According to the specifications of the manufacturer, it must comply with the requirements of the following standards:

FCC Part 15, Subpart E (15.407)

KDB 789033 D02 General UNII Test Procedures New Rules v02r01

KDB 662911 D01 Multiple Transmitter Output v02r01

ANSI C63.10-2013

All test items have been performed and recorded as per the above standards.

4 Test Types and Results

4.1 Radiated Emission and Bandedge Measurement

4.1.1 Limits of Radiated Emission and Bandedge Measurement

Radiated emissions which fall in the restricted bands must comply with the radiated emission limits specified as below table.

| Frequencies (MHz) | Field Strength (microvolts/meter) | Measurement Distance (meters) |
|-------------------|-----------------------------------|-------------------------------|
| 0.009 ~ 0.490 | 2400/F (kHz) | 300 |
| 0.490 ~ 1.705 | 24000/F (kHz) | 30 |
| 1.705 ~ 30.0 | 30 | 30 |
| 30 ~ 88 | 100 | 3 |
| 88 ~ 216 | 150 | 3 |
| 216 ~ 960 | 200 | 3 |
| Above 960 | 500 | 3 |

Note:

1. The lower limit shall apply at the transition frequencies.
2. Emission level (dBuV/m) = 20 log Emission level (uV/m).
3. For frequencies above 1000 MHz, the field strength limits are based on average detector, however, the peak field strength of any emission shall not exceed the maximum permitted average limits, specified above by more than 20 dB under any condition of modulation.

4.1.2 Limits of Unwanted Emission Out of the Restricted Bands

| Applicable To | | Limit | |
|---|------------------|---|---|
| 789033 D02 General UNII Test Procedures New Rules v02r01 | | Field Strength at 3 m | |
| | | PK: 74 (dBµV/m) | AV: 54 (dBµV/m) |
| Frequency Band | Applicable To | EIRP Limit | Equivalent Field Strength at 3 m |
| 5150~5250 MHz | 15.407(b)(1) | PK: -27 (dBm/MHz) | PK: 68.2 (dBµV/m) |
| 5250~5350 MHz | 15.407(b)(2) | | |
| 5470~5725 MHz | 15.407(b)(3) | | |
| 5725~5850 MHz | 15.407(b)(4)(i) | PK:-27 (dBm/MHz) *1 PK:10 (dBm/MHz) *2 PK:15.6 (dBm/MHz) *3 PK:27 (dBm/MHz) *4 | PK: 68.2 (dBµV/m) *1 PK:105.2 (dBµV/m) *2 PK: 110.8 (dBµV/m) *3 PK:122.2 (dBµV/m) *4 |
| | 15.407(b)(4)(ii) | Emission limits in section 15.247(d) | |

*1 beyond 75 MHz or more above of the band edge.

*2 below the band edge increasing linearly to 10 dBm/MHz at 25 MHz above.

*3 below the band edge increasing linearly to a level of 15.6 dBm/MHz at 5 MHz above.

*4 from 5 MHz above or below the band edge increasing linearly to a level of 27 dBm/MHz at the band edge.

Note:

The following formula is used to convert the equipment isotropic radiated power (eirp) to field strength:

$$E = \frac{1000000\sqrt{30P}}{3} \mu\text{V/m, where P is the eirp (Watts).}$$

4.1.3 Test Instruments

| Description & Manufacturer | Model No. | Serial No. | Date of Calibration | Due Date of Calibration |
|--|-----------------|---|---------------------|-------------------------|
| Test Receiver Agilent Technologies | N9038A | MY51210203 | Mar. 16, 2018 | Mar. 15, 2019 |
| Spectrum Analyzer ROHDE & SCHWARZ | FSU43 | 101261 | Jan. 11, 2018 | Jan. 10, 2019 |
| BILOG Antenna SCHWARZBECK | VULB9168 | 9168-616 | Dec. 14, 2017 | Dec. 13, 2018 |
| HORN Antenna ETS-Lindgren | 3117 | 00143293 | Dec. 13, 2017 | Dec. 12, 2018 |
| HORN Antenna SCHWARZBECK | BBHA 9170 | 9170-480 | Dec. 01, 2017 | Nov. 30, 2018 |
| Fixed Attenuator Mini-Circuits | MDCS18N-10 | MDCS18N-10-01 | Apr. 16, 2018 | Apr. 15, 2019 |
| Loop Antenna | EM-6879 | 269 | Sep. 07, 2018 | Sep. 06, 2019 |
| Preamplifier Agilent | 310N | 187226 | Jun. 19, 2018 | Jun. 18, 2019 |
| Preamplifier Agilent | 83017A | MY39501357 | Jun. 19, 2018 | Jun. 18, 2019 |
| Preamplifier EMCI | EMC 184045 | 980116 | Oct. 12, 2018 | Oct. 11, 2019 |
| Power Meter Anritsu | ML2495A | 1012010 | Sep. 05, 2018 | Sep. 04, 2019 |
| Power Sensor Anritsu | MA2411B | 1315050 | Sep. 04, 2018 | Sep. 03, 2019 |
| RF signal cable ETS-LINDGREN | 5D-FB | Cable-CH1-01(RFC-SMS-100-SMS-120+RFC-SMS-100-SMS-400) | Jun. 19, 2018 | Jun. 18, 2019 |
| RF signal cable ETS-LINDGREN | 8D-FB | Cable-CH1-02(RFC-SMS-100-SMS-24) | Jun. 19, 2018 | Jun. 18, 2019 |
| Software | E3 8.130425b | NA | NA | NA |
| Antenna Tower MF | NA | NA | NA | NA |
| Turn Table MF | NA | NA | NA | NA |
| Antenna Tower & Turn Table Controller MF | MF-7802 | NA | NA | NA |

- Note: 1. The calibration interval of the above test instruments is 12 months and the calibrations are traceable to NML/ROC and NIST/USA.
2. The test was performed in HsinTien Chamber 1.
3. The horn antenna and preamplifier (model: 83017A) are used only for the measurement of emission frequency above 1 GHz if tested.
4. The IC Site Registration No. is IC7450I-1.

4.1.4 Test Procedures

For Radiated Emission below 30 MHz

- a. The EUT was placed on the top of a rotating table 0.8 meters above the ground at a 3 meter chamber room. The table was rotated 360 degrees to determine the position of the highest radiation.
- b. The EUT was set 3 meters away from the interference-receiving antenna, which was mounted on the top of a variable-height antenna tower.
- c. Both Parallel, perpendicular, and ground-parallel orientations of the antenna are set to make the measurement.
- d. For each suspected emission, the EUT was arranged to its worst case and the rotatable table was turned from 0 degrees to 360 degrees to find the maximum reading.
- e. The test-receiver system was set to Quasi-Peak Detect Function and Specified Bandwidth with Maximum Hold Mode.

Note:

1. The resolution bandwidth and video bandwidth of test receiver/spectrum analyzer is 9 kHz at frequency below 30 MHz.

For Radiated Emission above 30 MHz

- a. The EUT was placed on the top of a rotating table 0.8 meters (for 30 MHz ~ 1 GHz) / 1.5 meters (for above 1 GHz) above the ground at 3 meter chamber room for test. The table was rotated 360 degrees to determine the position of the highest radiation.
- b. The EUT was set 3 meters away from the interference-receiving antenna, which was mounted on the top of a variable-height antenna tower.
- c. The height of antenna is varied from one meter to four meters above the ground to determine the maximum value of the field strength. Both horizontal and vertical polarizations of the antenna are set to make the measurement.
- d. For each suspected emission, the EUT was arranged to its worst case and then the antenna was tuned to heights from 1 meter to 4 meters and the rotatable table was turned from 0 degrees to 360 degrees to find the maximum reading.
- e. The test-receiver system was set to quasi-peak detect function and specified bandwidth with maximum hold mode when the test frequency is below 1 GHz.
- f. The test-receiver system was set to peak and average detected function and specified bandwidth with maximum hold mode when the test frequency is above 1 GHz. If the peak reading value also meets average limit, measurement with the average detector is unnecessary.

Note:

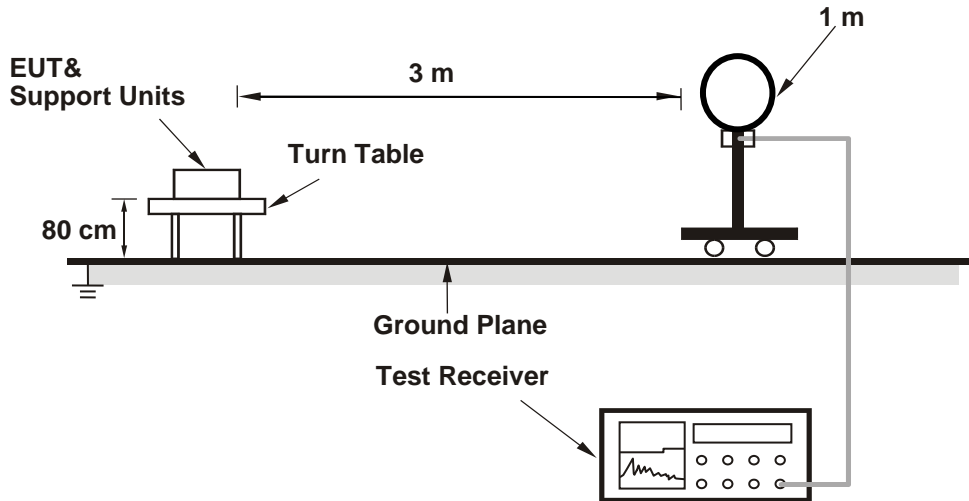
1. The resolution bandwidth and video bandwidth of test receiver/spectrum analyzer is 120 kHz for Quasi-peak detection (QP) at frequency below 1 GHz.
2. The resolution bandwidth of test receiver/spectrum analyzer is 1 MHz and the video bandwidth is 3 MHz for Peak detection (PK) at frequency above 1 GHz.
3. The resolution bandwidth of test receiver/spectrum analyzer is 1 MHz and the video bandwidth is $\geq 1/T$ (Duty cycle < 98 %) or 10 Hz (Duty cycle ≥ 98 %) for Average detection (AV) at frequency above 1 GHz.
(11a: RBW = 1 MHz, VBW = 1 kHz ; 11n (HT20): RBW = 1 MHz, VBW = 1 kHz ;
11n (HT40): RBW = 1 MHz, VBW = 1 kHz ; 11ac (VHT80): RBW = 1 MHz, VBW = 1 kHz)
4. All modes of operation were investigated and the worst-case emissions are reported.

4.1.5 Deviation from Test Standard

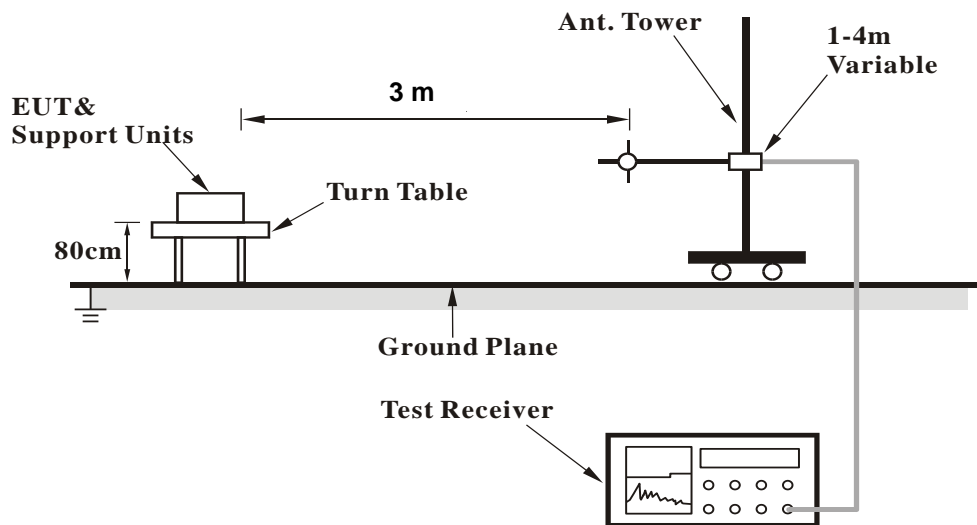
No deviation.

4.1.6 Test Setup

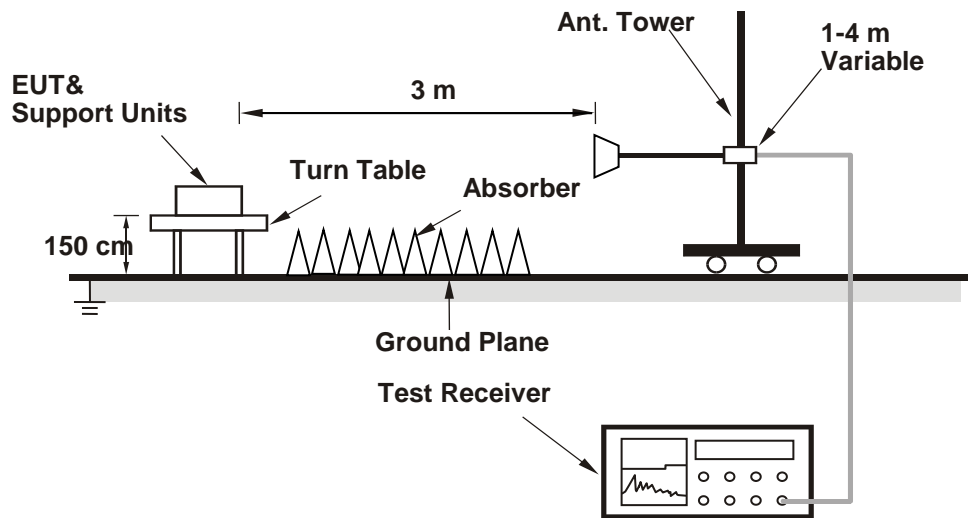
<Radiated Emission below 30 MHz>



<Radiated Emission 30 MHz to 1 GHz>



<Radiated Emission above 1 GHz>



For the actual test configuration, please refer to the attached file (Test Setup Photo).

4.1.7 EUT Operating Conditions

- a. Placed the EUT on a testing table.
- b. Use the software to control the EUT under transmission condition continuously at specific channel frequency.

4.1.8 Test Results
Above 1 GHz Data :
802.11a

| EUT Test Condition | | Measurement Detail | |
|--------------------------|--------------------|--------------------|---------------------------|
| Channel | Channel 36 | Frequency Range | 1 GHz ~ 40 GHz |
| Input Power | 120 Vac, 60 Hz | Detector Function | Peak (PK) Average (AV) |
| Environmental Conditions | 25 deg. C, 65 % RH | Tested By | Karl Lee |

| Antenna Polarity & Test Distance: Horizontal at 3 m | | | | | | | | | | |
|---|-------------------------|-------------------|----------------|-------------|-----------------------|-----------------|--------------------|---------------------|----------------------|---------|
| Frequency (MHz) | Emission Level (dBuV/m) | Read Level (dBuV) | Limit (dBuV/m) | Margin (dB) | Antenna Factor (dB/m) | Cable Loss (dB) | Preamp Factor (dB) | Antenna Height (cm) | Table Angle (Degree) | Remark |
| 5149.85 | 52.8 | 44.55 | 54 | -1.2 | 34.12 | 8.13 | 34 | 215 | 215 | Average |
| 5149.85 | 65.57 | 57.32 | 74 | -8.43 | 34.12 | 8.13 | 34 | 215 | 215 | Peak |
| 5180 | 99.33 | 91.02 | | | 34.15 | 8.16 | 34 | 215 | 215 | Average |
| 5180 | 106.54 | 98.23 | | | 34.15 | 8.16 | 34 | 215 | 215 | Peak |
| *10360 | 54.47 | 40.17 | 68.2 | -13.73 | 37.12 | 12.3 | 35.12 | 121 | 300 | Peak |

| Antenna Polarity & Test Distance: Vertical at 3 m | | | | | | | | | | |
|---|-------------------------|-------------------|----------------|-------------|-----------------------|-----------------|--------------------|---------------------|----------------------|---------|
| Frequency (MHz) | Emission Level (dBuV/m) | Read Level (dBuV) | Limit (dBuV/m) | Margin (dB) | Antenna Factor (dB/m) | Cable Loss (dB) | Preamp Factor (dB) | Antenna Height (cm) | Table Angle (Degree) | Remark |
| 5149.85 | 47.53 | 39.28 | 54 | -6.47 | 34.12 | 8.13 | 34 | 305 | 16 | Average |
| 5149.85 | 60.32 | 52.07 | 74 | -13.68 | 34.12 | 8.13 | 34 | 305 | 16 | Peak |
| 5180 | 97.31 | 89 | | | 34.15 | 8.16 | 34 | 305 | 16 | Average |
| 5180 | 104.64 | 96.33 | | | 34.15 | 8.16 | 34 | 305 | 16 | Peak |
| *10360 | 54.43 | 40.13 | 68.2 | -13.77 | 37.12 | 12.3 | 35.12 | 157 | 9 | Peak |

Remarks:

- Emission Level = Read Level + Antenna Factor + Cable Loss - Preamp Factor
 Margin value = Emission level – Limit value
- 5180 MHz: Fundamental Frequency
- *: Out of Restricted Band
- The emission levels of other frequencies were very low against the limit

| EUT Test Condition | | Measurement Detail | |
|--------------------------|--------------------|--------------------|---------------------------|
| Channel | Channel 40 | Frequency Range | 1 GHz ~ 40 GHz |
| Input Power | 120 Vac, 60 Hz | Detector Function | Peak (PK) Average (AV) |
| Environmental Conditions | 25 deg. C, 65 % RH | Tested By | Karl Lee |

| Antenna Polarity & Test Distance: Horizontal at 3 m | | | | | | | | | | |
|---|-------------------------|-------------------|----------------|-------------|-----------------------|-----------------|--------------------|---------------------|----------------------|---------|
| Frequency (MHz) | Emission Level (dBuV/m) | Read Level (dBuV) | Limit (dBuV/m) | Margin (dB) | Antenna Factor (dB/m) | Cable Loss (dB) | Preamp Factor (dB) | Antenna Height (cm) | Table Angle (Degree) | Remark |
| 5149.7 | 51.97 | 43.72 | 54 | -2.03 | 34.12 | 8.13 | 34 | 215 | 215 | Peak |
| 5149.7 | 64.27 | 56.02 | 74 | -9.73 | 34.12 | 8.13 | 34 | 215 | 215 | Peak |
| 5200 | 101.39 | 93.04 | | | 34.16 | 8.19 | 34 | 215 | 215 | Average |
| 5200 | 108.33 | 99.98 | | | 34.16 | 8.19 | 34 | 215 | 215 | Peak |
| 5396.42 | 43.16 | 34.44 | 54 | -10.84 | 34.32 | 8.44 | 34.04 | 215 | 215 | Average |
| 5396.42 | 53.4 | 44.68 | 74 | -20.6 | 34.32 | 8.44 | 34.04 | 215 | 215 | Peak |
| *10400 | 55.94 | 41.6 | 68.2 | -12.26 | 37.14 | 12.36 | 35.16 | 124 | 1 | Peak |

| Antenna Polarity & Test Distance: Vertical at 3 m | | | | | | | | | | |
|---|-------------------------|-------------------|----------------|-------------|-----------------------|-----------------|--------------------|---------------------|----------------------|---------|
| Frequency (MHz) | Emission Level (dBuV/m) | Read Level (dBuV) | Limit (dBuV/m) | Margin (dB) | Antenna Factor (dB/m) | Cable Loss (dB) | Preamp Factor (dB) | Antenna Height (cm) | Table Angle (Degree) | Remark |
| 5149.7 | 63.83 | 55.58 | 74 | -10.17 | 34.12 | 8.13 | 34 | 305 | 16 | Peak |
| 5149.7 | 47.59 | 39.34 | 54 | -6.41 | 34.12 | 8.13 | 34 | 305 | 16 | Peak |
| 5200 | 99.35 | 91 | | | 34.16 | 8.19 | 34 | 305 | 16 | Average |
| 5200 | 106.07 | 97.72 | | | 34.16 | 8.19 | 34 | 305 | 16 | Peak |
| 5390.26 | 43.28 | 34.6 | 54 | -10.72 | 34.31 | 8.41 | 34.04 | 305 | 16 | Average |
| 5390.26 | 54.22 | 45.54 | 74 | -19.78 | 34.31 | 8.41 | 34.04 | 305 | 16 | Peak |
| *10400 | 56.16 | 41.82 | 68.2 | -12.04 | 37.14 | 12.36 | 35.16 | 114 | 258 | Peak |

Remarks:

- Emission Level = Read Level + Antenna Factor + Cable Loss - Preamp Factor
Margin value = Emission level – Limit value
- 5200 MHz: Fundamental Frequency
- *: Out of Restricted Band
- The emission levels of other frequencies were very low against the limit

| EUT Test Condition | | Measurement Detail | |
|--------------------------|--------------------|--------------------|---------------------------|
| Channel | Channel 48 | Frequency Range | 1 GHz ~ 40 GHz |
| Input Power | 120 Vac, 60 Hz | Detector Function | Peak (PK) Average (AV) |
| Environmental Conditions | 25 deg. C, 65 % RH | Tested By | Karl Lee |

Antenna Polarity & Test Distance: Horizontal at 3 m

| Frequency (MHz) | Emission Level (dBuV/m) | Read Level (dBuV) | Limit (dBuV/m) | Margin (dB) | Antenna Factor (dB/m) | Cable Loss (dB) | Preamp Factor (dB) | Antenna Height (cm) | Table Angle (Degree) | Remark |
|-----------------|-------------------------|-------------------|----------------|-------------|-----------------------|-----------------|--------------------|---------------------|----------------------|---------|
| 5240 | 101.27 | 92.83 | | | 34.19 | 8.26 | 34.01 | 215 | 215 | Average |
| 5240 | 108.45 | 100.01 | | | 34.19 | 8.26 | 34.01 | 215 | 215 | Peak |
| 5428.87 | 42.81 | 34.02 | 54 | -11.19 | 34.35 | 8.48 | 34.04 | 215 | 215 | Average |
| 5428.87 | 53.22 | 44.43 | 74 | -20.78 | 34.35 | 8.48 | 34.04 | 215 | 215 | Peak |
| *10480 | 56.06 | 41.55 | 68.2 | -12.14 | 37.19 | 12.53 | 35.21 | 121 | 111 | Peak |

Antenna Polarity & Test Distance: Vertical at 3 m

| Frequency (MHz) | Emission Level (dBuV/m) | Read Level (dBuV) | Limit (dBuV/m) | Margin (dB) | Antenna Factor (dB/m) | Cable Loss (dB) | Preamp Factor (dB) | Antenna Height (cm) | Table Angle (Degree) | Remark |
|-----------------|-------------------------|-------------------|----------------|-------------|-----------------------|-----------------|--------------------|---------------------|----------------------|---------|
| 5240 | 98.64 | 90.2 | | | 34.19 | 8.26 | 34.01 | 305 | 16 | Average |
| 5240 | 106.47 | 98.03 | | | 34.19 | 8.26 | 34.01 | 305 | 16 | Peak |
| 5406.87 | 42.93 | 34.21 | 54 | -11.07 | 34.32 | 8.44 | 34.04 | 305 | 16 | Average |
| 5406.87 | 53.51 | 44.79 | 74 | -20.49 | 34.32 | 8.44 | 34.04 | 305 | 16 | Peak |
| *10480 | 54.89 | 40.38 | 68.2 | -13.31 | 37.19 | 12.53 | 35.21 | 119 | 24 | Peak |

Remarks:

- Emission Level = Read Level + Antenna Factor + Cable Loss - Preamp Factor
Margin value = Emission level – Limit value
- 5240 MHz: Fundamental Frequency
- *: Out of Restricted Band
- The emission levels of other frequencies were very low against the limit

| EUT Test Condition | | Measurement Detail | |
|--------------------------|--------------------|--------------------|---------------------------|
| Channel | Channel 52 | Frequency Range | 1 GHz ~ 40 GHz |
| Input Power | 120 Vac, 60 Hz | Detector Function | Peak (PK) Average (AV) |
| Environmental Conditions | 25 deg. C, 65 % RH | Tested By | Karl Lee |

| Antenna Polarity & Test Distance: Horizontal at 3 m | | | | | | | | | | |
|---|-------------------------|-------------------|----------------|-------------|-----------------------|-----------------|--------------------|---------------------|----------------------|---------|
| Frequency (MHz) | Emission Level (dBuV/m) | Read Level (dBuV) | Limit (dBuV/m) | Margin (dB) | Antenna Factor (dB/m) | Cable Loss (dB) | Preamp Factor (dB) | Antenna Height (cm) | Table Angle (Degree) | Remark |
| 5075.45 | 42.79 | 34.67 | 54 | -11.21 | 34.07 | 8.03 | 33.98 | 215 | 193 | Average |
| 5075.45 | 53.94 | 45.82 | 74 | -20.06 | 34.07 | 8.03 | 33.98 | 215 | 193 | Peak |
| 5260 | 103.67 | 95.21 | | | 34.21 | 8.26 | 34.01 | 215 | 193 | Average |
| 5260 | 110.52 | 102.06 | | | 34.21 | 8.26 | 34.01 | 215 | 193 | Peak |
| *10520 | 57.28 | 42.69 | 68.2 | -10.92 | 37.21 | 12.61 | 35.23 | 195 | 213 | Peak |

| Antenna Polarity & Test Distance: Vertical at 3 m | | | | | | | | | | |
|---|-------------------------|-------------------|----------------|-------------|-----------------------|-----------------|--------------------|---------------------|----------------------|---------|
| Frequency (MHz) | Emission Level (dBuV/m) | Read Level (dBuV) | Limit (dBuV/m) | Margin (dB) | Antenna Factor (dB/m) | Cable Loss (dB) | Preamp Factor (dB) | Antenna Height (cm) | Table Angle (Degree) | Remark |
| 5123.3 | 42.58 | 34.36 | 54 | -11.42 | 34.11 | 8.1 | 33.99 | 290 | 16 | Average |
| 5123.3 | 53.5 | 45.28 | 74 | -20.5 | 34.11 | 8.1 | 33.99 | 290 | 16 | Peak |
| 5260 | 100.52 | 92.06 | | | 34.21 | 8.26 | 34.01 | 290 | 16 | Average |
| 5260 | 107.29 | 98.83 | | | 34.21 | 8.26 | 34.01 | 290 | 16 | Peak |
| *10520 | 56.05 | 41.46 | 68.2 | -12.15 | 37.21 | 12.61 | 35.23 | 154 | 5 | Peak |

Remarks:

- Emission Level = Read Level + Antenna Factor + Cable Loss - Preamp Factor
Margin value = Emission level – Limit value
- 5260 MHz: Fundamental Frequency
- *: Out of Restricted Band
- The emission levels of other frequencies were very low against the limit

| EUT Test Condition | | Measurement Detail | |
|--------------------------|--------------------|--------------------|---------------------------|
| Channel | Channel 60 | Frequency Range | 1 GHz ~ 40 GHz |
| Input Power | 120 Vac, 60 Hz | Detector Function | Peak (PK) Average (AV) |
| Environmental Conditions | 25 deg. C, 65 % RH | Tested By | Karl Lee |

| Antenna Polarity & Test Distance: Horizontal at 3 m | | | | | | | | | | |
|---|-------------------------|-------------------|----------------|-------------|-----------------------|-----------------|--------------------|---------------------|----------------------|---------|
| Frequency (MHz) | Emission Level (dBuV/m) | Read Level (dBuV) | Limit (dBuV/m) | Margin (dB) | Antenna Factor (dB/m) | Cable Loss (dB) | Preamp Factor (dB) | Antenna Height (cm) | Table Angle (Degree) | Remark |
| 5119.85 | 42.98 | 34.78 | 54 | -11.02 | 34.09 | 8.1 | 33.99 | 215 | 193 | Average |
| 5119.85 | 53.14 | 44.94 | 74 | -20.86 | 34.09 | 8.1 | 33.99 | 215 | 193 | Peak |
| 5300 | 102.44 | 93.9 | | | 34.24 | 8.32 | 34.02 | 215 | 193 | Average |
| 5300 | 109.24 | 100.7 | | | 34.24 | 8.32 | 34.02 | 215 | 193 | Peak |
| 5350.55 | 52.67 | 44.04 | 54 | -1.33 | 34.28 | 8.38 | 34.03 | 215 | 193 | Average |
| 5350.55 | 62.85 | 54.22 | 74 | -11.15 | 34.28 | 8.38 | 34.03 | 215 | 193 | Peak |
| 10600 | 46.32 | 31.64 | 54 | -7.68 | 37.28 | 12.67 | 35.27 | 157 | 164 | Average |
| 10600 | 55.95 | 41.27 | 74 | -18.05 | 37.28 | 12.67 | 35.27 | 157 | 164 | Peak |

| Antenna Polarity & Test Distance: Vertical at 3 m | | | | | | | | | | |
|---|-------------------------|-------------------|----------------|-------------|-----------------------|-----------------|--------------------|---------------------|----------------------|---------|
| Frequency (MHz) | Emission Level (dBuV/m) | Read Level (dBuV) | Limit (dBuV/m) | Margin (dB) | Antenna Factor (dB/m) | Cable Loss (dB) | Preamp Factor (dB) | Antenna Height (cm) | Table Angle (Degree) | Remark |
| 5142.5 | 42.57 | 34.31 | 54 | -11.43 | 34.12 | 8.13 | 33.99 | 290 | 16 | Average |
| 5142.5 | 53.09 | 44.83 | 74 | -20.91 | 34.12 | 8.13 | 33.99 | 290 | 16 | Peak |
| 5300 | 99.78 | 91.24 | | | 34.24 | 8.32 | 34.02 | 290 | 16 | Average |
| 5300 | 106.11 | 97.57 | | | 34.24 | 8.32 | 34.02 | 290 | 16 | Peak |
| 5350 | 48.94 | 40.31 | 54 | -5.06 | 34.28 | 8.38 | 34.03 | 290 | 16 | Average |
| 5350 | 59.88 | 51.25 | 74 | -14.12 | 34.28 | 8.38 | 34.03 | 290 | 16 | Peak |
| 10600 | 46.25 | 31.57 | 54 | -7.75 | 37.28 | 12.67 | 35.27 | 125 | 5 | Average |
| 10600 | 56.74 | 42.06 | 74 | -17.26 | 37.28 | 12.67 | 35.27 | 125 | 5 | Peak |

Remarks:

- Emission Level = Read Level + Antenna Factor + Cable Loss - Preamp Factor
Margin value = Emission level – Limit value
- 5300 MHz: Fundamental Frequency
- *: Out of Restricted Band
- The emission levels of other frequencies were very low against the limit

| EUT Test Condition | | Measurement Detail | |
|--------------------------|--------------------|--------------------|---------------------------|
| Channel | Channel 64 | Frequency Range | 1 GHz ~ 40 GHz |
| Input Power | 120 Vac, 60 Hz | Detector Function | Peak (PK) Average (AV) |
| Environmental Conditions | 25 deg. C, 65 % RH | Tested By | Karl Lee |

| Antenna Polarity & Test Distance: Horizontal at 3 m | | | | | | | | | | |
|---|-------------------------|-------------------|----------------|-------------|-----------------------|-----------------|--------------------|---------------------|----------------------|---------|
| Frequency (MHz) | Emission Level (dBuV/m) | Read Level (dBuV) | Limit (dBuV/m) | Margin (dB) | Antenna Factor (dB/m) | Cable Loss (dB) | Preamp Factor (dB) | Antenna Height (cm) | Table Angle (Degree) | Remark |
| 5320 | 99.28 | 90.7 | | | 34.25 | 8.35 | 34.02 | 215 | 193 | Average |
| 5320 | 106.52 | 97.94 | | | 34.25 | 8.35 | 34.02 | 215 | 193 | Peak |
| 5350.22 | 45.83 | 37.2 | 54 | -8.17 | 34.28 | 8.38 | 34.03 | 215 | 193 | Average |
| 5350.22 | 56.34 | 47.71 | 74 | -17.66 | 34.28 | 8.38 | 34.03 | 215 | 193 | Peak |
| 10640 | 46.74 | 32.01 | 54 | -7.26 | 37.31 | 12.71 | 35.29 | 124 | 57 | Average |
| 10640 | 55.79 | 41.06 | 74 | -18.21 | 37.31 | 12.71 | 35.29 | 124 | 57 | Peak |

| Antenna Polarity & Test Distance: Vertical at 3 m | | | | | | | | | | |
|---|-------------------------|-------------------|----------------|-------------|-----------------------|-----------------|--------------------|---------------------|----------------------|---------|
| Frequency (MHz) | Emission Level (dBuV/m) | Read Level (dBuV) | Limit (dBuV/m) | Margin (dB) | Antenna Factor (dB/m) | Cable Loss (dB) | Preamp Factor (dB) | Antenna Height (cm) | Table Angle (Degree) | Remark |
| 5320 | 96.35 | 87.77 | | | 34.25 | 8.35 | 34.02 | 290 | 16 | Average |
| 5320 | 103.6 | 95.02 | | | 34.25 | 8.35 | 34.02 | 290 | 16 | Peak |
| 5351.65 | 43.53 | 34.9 | 54 | -10.47 | 34.28 | 8.38 | 34.03 | 290 | 16 | Average |
| 5351.65 | 54.67 | 46.04 | 74 | -19.33 | 34.28 | 8.38 | 34.03 | 290 | 16 | Peak |
| 10640 | 46.6 | 31.87 | 54 | -7.4 | 37.31 | 12.71 | 35.29 | 124 | 310 | Average |
| 10640 | 55.99 | 41.26 | 74 | -18.01 | 37.31 | 12.71 | 35.29 | 124 | 310 | Peak |

Remarks:

- Emission Level = Read Level + Antenna Factor + Cable Loss - Preamp Factor
Margin value = Emission level – Limit value
- 5320 MHz: Fundamental Frequency
- *: Out of Restricted Band
- The emission levels of other frequencies were very low against the limit

| EUT Test Condition | | Measurement Detail | |
|--------------------------|--------------------|--------------------|---------------------------|
| Channel | Channel 100 | Frequency Range | 1 GHz ~ 40 GHz |
| Input Power | 120 Vac, 60 Hz | Detector Function | Peak (PK) Average (AV) |
| Environmental Conditions | 25 deg. C, 65 % RH | Tested By | Karl Lee |

| Antenna Polarity & Test Distance: Horizontal at 3 m | | | | | | | | | | |
|---|-------------------------|-------------------|----------------|-------------|-----------------------|-----------------|--------------------|---------------------|----------------------|---------|
| Frequency (MHz) | Emission Level (dBuV/m) | Read Level (dBuV) | Limit (dBuV/m) | Margin (dB) | Antenna Factor (dB/m) | Cable Loss (dB) | Preamp Factor (dB) | Antenna Height (cm) | Table Angle (Degree) | Remark |
| 5460 | 46.25 | 37.43 | 54 | -7.75 | 34.36 | 8.51 | 34.05 | 200 | 0 | Average |
| 5460 | 57.33 | 48.51 | 74 | -16.67 | 34.36 | 8.51 | 34.05 | 200 | 0 | Peak |
| *5468.56 | 66.54 | 57.71 | 68.2 | -1.66 | 34.37 | 8.51 | 34.05 | 200 | 0 | Peak |
| 5500 | 100.67 | 91.75 | | | 34.4 | 8.57 | 34.05 | 200 | 0 | Average |
| 5500 | 107.42 | 98.5 | | | 34.4 | 8.57 | 34.05 | 200 | 0 | Peak |
| 11000 | 46.67 | 31.59 | 54 | -7.33 | 37.6 | 12.96 | 35.48 | 157 | 95 | Average |
| 11000 | 56.89 | 41.81 | 74 | -17.11 | 37.6 | 12.96 | 35.48 | 157 | 95 | Peak |
| Antenna Polarity & Test Distance: Vertical at 3 m | | | | | | | | | | |
| Frequency (MHz) | Emission Level (dBuV/m) | Read Level (dBuV) | Limit (dBuV/m) | Margin (dB) | Antenna Factor (dB/m) | Cable Loss (dB) | Preamp Factor (dB) | Antenna Height (cm) | Table Angle (Degree) | Remark |
| 5459.28 | 47.7 | 38.88 | 54 | -6.3 | 34.36 | 8.51 | 34.05 | 214 | 75 | Average |
| 5459.28 | 58.94 | 50.12 | 74 | -15.06 | 34.36 | 8.51 | 34.05 | 214 | 75 | Peak |
| *5468.56 | 67.19 | 58.36 | 68.2 | -1.01 | 34.37 | 8.51 | 34.05 | 214 | 75 | Peak |
| 5500 | 102.47 | 93.55 | | | 34.4 | 8.57 | 34.05 | 214 | 75 | Average |
| 5500 | 109.65 | 100.73 | | | 34.4 | 8.57 | 34.05 | 214 | 75 | Peak |
| 11000 | 46.6 | 31.52 | 54 | -7.4 | 37.6 | 12.96 | 35.48 | 153 | 241 | Average |
| 11000 | 56.15 | 41.07 | 74 | -17.85 | 37.6 | 12.96 | 35.48 | 153 | 241 | Peak |

Remarks:

- Emission Level = Read Level + Antenna Factor + Cable Loss - Preamp Factor
Margin value = Emission level – Limit value
- 5500 MHz: Fundamental Frequency
- *: Out of Restricted Band
- The emission levels of other frequencies were very low against the limit

| EUT Test Condition | | Measurement Detail | |
|--------------------------|--------------------|--------------------|---------------------------|
| Channel | Channel 116 | Frequency Range | 1 GHz ~ 40 GHz |
| Input Power | 120 Vac, 60 Hz | Detector Function | Peak (PK) Average (AV) |
| Environmental Conditions | 25 deg. C, 65 % RH | Tested By | Karl Lee |

| Antenna Polarity & Test Distance: Horizontal at 3 m | | | | | | | | | | |
|---|-------------------------|-------------------|----------------|-------------|-----------------------|-----------------|--------------------|---------------------|----------------------|---------|
| Frequency (MHz) | Emission Level (dBuV/m) | Read Level (dBuV) | Limit (dBuV/m) | Margin (dB) | Antenna Factor (dB/m) | Cable Loss (dB) | Preamp Factor (dB) | Antenna Height (cm) | Table Angle (Degree) | Remark |
| 5446.48 | 43.08 | 34.25 | 54 | -10.92 | 34.36 | 8.51 | 34.04 | 200 | 0 | Average |
| 5446.48 | 54.09 | 45.26 | 74 | -19.91 | 34.36 | 8.51 | 34.04 | 200 | 0 | Peak |
| *5470.16 | 52.59 | 43.76 | 68.2 | -15.61 | 34.37 | 8.51 | 34.05 | 200 | 0 | Peak |
| 5580 | 102.49 | 93.5 | | | 34.47 | 8.6 | 34.08 | 200 | 0 | Average |
| 5580 | 109.15 | 100.16 | | | 34.47 | 8.6 | 34.08 | 200 | 0 | Peak |
| *5724.36 | 52.78 | 43.62 | 68.2 | -15.42 | 34.62 | 8.65 | 34.11 | 200 | 0 | Peak |
| 11160 | 47.18 | 32.1 | 54 | -6.82 | 37.7 | 12.83 | 35.45 | 152 | 259 | Average |
| 11160 | 57.49 | 42.41 | 74 | -16.51 | 37.7 | 12.83 | 35.45 | 152 | 259 | Peak |

| Antenna Polarity & Test Distance: Vertical at 3 m | | | | | | | | | | |
|---|-------------------------|-------------------|----------------|-------------|-----------------------|-----------------|--------------------|---------------------|----------------------|---------|
| Frequency (MHz) | Emission Level (dBuV/m) | Read Level (dBuV) | Limit (dBuV/m) | Margin (dB) | Antenna Factor (dB/m) | Cable Loss (dB) | Preamp Factor (dB) | Antenna Height (cm) | Table Angle (Degree) | Remark |
| 5456.4 | 43.22 | 34.4 | 54 | -10.78 | 34.36 | 8.51 | 34.05 | 214 | 75 | Average |
| 5456.4 | 54.13 | 45.31 | 74 | -19.87 | 34.36 | 8.51 | 34.05 | 214 | 75 | Peak |
| *5469.36 | 53.59 | 44.76 | 68.2 | -14.61 | 34.37 | 8.51 | 34.05 | 214 | 75 | Peak |
| 5580 | 104.57 | 95.58 | | | 34.47 | 8.6 | 34.08 | 214 | 75 | Average |
| 5580 | 111.31 | 102.32 | | | 34.47 | 8.6 | 34.08 | 214 | 75 | Peak |
| *5724.28 | 52.76 | 43.6 | 68.2 | -15.44 | 34.62 | 8.65 | 34.11 | 214 | 75 | Peak |
| 11160 | 46.42 | 31.34 | 54 | -7.58 | 37.7 | 12.83 | 35.45 | 134 | 195 | Average |
| 11160 | 56.6 | 41.52 | 74 | -17.4 | 37.7 | 12.83 | 35.45 | 134 | 195 | Peak |

Remarks:

- Emission Level = Read Level + Antenna Factor + Cable Loss - Preamp Factor
Margin value = Emission level – Limit value
- 5580 MHz: Fundamental Frequency
- *: Out of Restricted Band
- The emission levels of other frequencies were very low against the limit

| EUT Test Condition | | Measurement Detail | |
|--------------------------|--------------------|--------------------|---------------------------|
| Channel | Channel 140 | Frequency Range | 1 GHz ~ 40 GHz |
| Input Power | 120 Vac, 60 Hz | Detector Function | Peak (PK) Average (AV) |
| Environmental Conditions | 25 deg. C, 65 % RH | Tested By | Karl Lee |

Antenna Polarity & Test Distance: Horizontal at 3 m

| Frequency (MHz) | Emission Level (dBuV/m) | Read Level (dBuV) | Limit (dBuV/m) | Margin (dB) | Antenna Factor (dB/m) | Cable Loss (dB) | Preamp Factor (dB) | Antenna Height (cm) | Table Angle (Degree) | Remark |
|-----------------|-------------------------|-------------------|----------------|-------------|-----------------------|-----------------|--------------------|---------------------|----------------------|---------|
| 5700 | 99.68 | 90.55 | | | 34.59 | 8.64 | 34.1 | 200 | 0 | Average |
| 5700 | 106.22 | 97.09 | | | 34.59 | 8.64 | 34.1 | 200 | 0 | Peak |
| *5724.76 | 57.12 | 47.96 | 68.2 | -11.08 | 34.62 | 8.65 | 34.11 | 200 | 0 | Peak |
| 11400 | 47.14 | 32.04 | 54 | -6.86 | 37.84 | 12.67 | 35.41 | 159 | 3 | Average |
| 11400 | 56.9 | 41.8 | 74 | -17.1 | 37.84 | 12.67 | 35.41 | 159 | 3 | Peak |

Antenna Polarity & Test Distance: Vertical at 3 m

| Frequency (MHz) | Emission Level (dBuV/m) | Read Level (dBuV) | Limit (dBuV/m) | Margin (dB) | Antenna Factor (dB/m) | Cable Loss (dB) | Preamp Factor (dB) | Antenna Height (cm) | Table Angle (Degree) | Remark |
|-----------------|-------------------------|-------------------|----------------|-------------|-----------------------|-----------------|--------------------|---------------------|----------------------|---------|
| 5700 | 101.29 | 92.16 | | | 34.59 | 8.64 | 34.1 | 214 | 75 | Average |
| 5700 | 108.6 | 99.47 | | | 34.59 | 8.64 | 34.1 | 214 | 75 | Peak |
| *5725.08 | 62.11 | 52.95 | 68.2 | -6.09 | 34.62 | 8.65 | 34.11 | 214 | 75 | Peak |
| 11400 | 46.69 | 31.59 | 54 | -7.31 | 37.84 | 12.67 | 35.41 | 184 | 122 | Average |
| 11400 | 57.43 | 42.33 | 74 | -16.57 | 37.84 | 12.67 | 35.41 | 184 | 122 | Peak |

Remarks:

- Emission Level = Read Level + Antenna Factor + Cable Loss - Preamp Factor
Margin value = Emission level – Limit value
- 5700 MHz: Fundamental Frequency
- *: Out of Restricted Band
- The emission levels of other frequencies were very low against the limit

| EUT Test Condition | | Measurement Detail | |
|--------------------------|--------------------|--------------------|---------------------------|
| Channel | Channel 149 | Frequency Range | 1 GHz ~ 40 GHz |
| Input Power | 120 Vac, 60 Hz | Detector Function | Peak (PK) Average (AV) |
| Environmental Conditions | 25 deg. C, 65 % RH | Tested By | Karl Lee |

<Spurious Emission>

| Antenna Polarity & Test Distance: Horizontal at 3 m | | | | | | | | | | |
|---|-------------------------|-------------------|----------------|-------------|-----------------------|-----------------|--------------------|---------------------|----------------------|---------|
| Frequency (MHz) | Emission Level (dBuV/m) | Read Level (dBuV) | Limit (dBuV/m) | Margin (dB) | Antenna Factor (dB/m) | Cable Loss (dB) | Preamp Factor (dB) | Antenna Height (cm) | Table Angle (Degree) | Remark |
| 5745 | 102.47 | 93.28 | | | 34.64 | 8.66 | 34.11 | 200 | 0 | Average |
| 5745 | 109.06 | 99.87 | | | 34.64 | 8.66 | 34.11 | 200 | 0 | Peak |
| 11490 | 46.41 | 31.29 | 54 | -7.59 | 37.89 | 12.62 | 35.39 | 128 | 119 | Average |
| 11490 | 56.96 | 41.84 | 74 | -17.04 | 37.89 | 12.62 | 35.39 | 128 | 119 | Peak |
| Antenna Polarity & Test Distance: Vertical at 3 m | | | | | | | | | | |
| Frequency (MHz) | Emission Level (dBuV/m) | Read Level (dBuV) | Limit (dBuV/m) | Margin (dB) | Antenna Factor (dB/m) | Cable Loss (dB) | Preamp Factor (dB) | Antenna Height (cm) | Table Angle (Degree) | Remark |
| 5745 | 103.69 | 94.5 | | | 34.64 | 8.66 | 34.11 | 200 | 73 | Average |
| 5745 | 110.31 | 101.12 | | | 34.64 | 8.66 | 34.11 | 200 | 73 | Peak |
| 11490 | 46.58 | 31.46 | 54 | -7.42 | 37.89 | 12.62 | 35.39 | 158 | 88 | Average |
| 11490 | 56.24 | 41.12 | 74 | -17.76 | 37.89 | 12.62 | 35.39 | 158 | 88 | Peak |

<Out of Band Emission (OOBE)>

| Antenna Polarity & Test Distance: Horizontal at 3 m | | | | | | | | | | |
|---|-------------------------|-------------------|----------------|-------------|-----------------------|-----------------|--------------------|---------------------|----------------------|--------|
| Frequency (MHz) | Emission Level (dBuV/m) | Read Level (dBuV) | Limit (dBuV/m) | Margin (dB) | Antenna Factor (dB/m) | Cable Loss (dB) | Preamp Factor (dB) | Antenna Height (cm) | Table Angle (Degree) | Remark |
| *5644.375 | 53.6 | 44.53 | 68.2 | -14.6 | 34.54 | 8.62 | 34.09 | 200 | 0 | Peak |
| 5653.3 | 51.36 | 42.26 | 70.64 | -19.28 | 34.56 | 8.63 | 34.09 | 200 | 0 | Peak |
| 5921.05 | 50.57 | 41.19 | 71.12 | -20.55 | 34.81 | 8.73 | 34.16 | 200 | 0 | Peak |
| *5987.725 | 53.01 | 43.55 | 68.2 | -15.19 | 34.88 | 8.75 | 34.17 | 200 | 0 | Peak |
| Antenna Polarity & Test Distance: Vertical at 3 m | | | | | | | | | | |
| Frequency (MHz) | Emission Level (dBuV/m) | Read Level (dBuV) | Limit (dBuV/m) | Margin (dB) | Antenna Factor (dB/m) | Cable Loss (dB) | Preamp Factor (dB) | Antenna Height (cm) | Table Angle (Degree) | Remark |
| *5634.4 | 55.11 | 46.04 | 68.2 | -13.09 | 34.54 | 8.62 | 34.09 | 200 | 73 | Peak |
| 5650.675 | 52.55 | 43.46 | 68.7 | -16.15 | 34.56 | 8.62 | 34.09 | 200 | 73 | Peak |
| 5921.575 | 52.93 | 43.53 | 70.73 | -17.8 | 34.83 | 8.73 | 34.16 | 200 | 73 | Peak |
| *6017.65 | 53.91 | 44.4 | 68.2 | -14.29 | 34.92 | 8.77 | 34.18 | 200 | 73 | Peak |

Remarks:

- Emission Level = Read Level + Antenna Factor + Cable Loss - Preamp Factor
Margin value = Emission level – Limit value
- 5745 MHz: Fundamental Frequency
- *: Out of Restricted Band
- The emission levels of other frequencies were very low against the limit

| EUT Test Condition | | Measurement Detail | |
|--------------------------|--------------------|--------------------|---------------------------|
| Channel | Channel 157 | Frequency Range | 1 GHz ~ 40 GHz |
| Input Power | 120 Vac, 60 Hz | Detector Function | Peak (PK) Average (AV) |
| Environmental Conditions | 25 deg. C, 65 % RH | Tested By | Karl Lee |

<Spurious Emission>

| Antenna Polarity & Test Distance: Horizontal at 3 m | | | | | | | | | | |
|---|-------------------------|-------------------|----------------|-------------|-----------------------|-----------------|--------------------|---------------------|----------------------|---------|
| Frequency (MHz) | Emission Level (dBuV/m) | Read Level (dBuV) | Limit (dBuV/m) | Margin (dB) | Antenna Factor (dB/m) | Cable Loss (dB) | Preamp Factor (dB) | Antenna Height (cm) | Table Angle (Degree) | Remark |
| 5785 | 101.24 | 92.01 | | | 34.68 | 8.68 | 34.13 | 200 | 53 | Average |
| 5785 | 108.5 | 99.27 | | | 34.68 | 8.68 | 34.13 | 200 | 53 | Peak |
| 11570 | 46.9 | 31.59 | 54 | -7.1 | 38 | 12.68 | 35.37 | 165 | 2 | Average |
| 11570 | 56.53 | 41.22 | 74 | -17.47 | 38 | 12.68 | 35.37 | 165 | 2 | Peak |
| Antenna Polarity & Test Distance: Vertical at 3 m | | | | | | | | | | |
| Frequency (MHz) | Emission Level (dBuV/m) | Read Level (dBuV) | Limit (dBuV/m) | Margin (dB) | Antenna Factor (dB/m) | Cable Loss (dB) | Preamp Factor (dB) | Antenna Height (cm) | Table Angle (Degree) | Remark |
| 5785 | 102.33 | 93.1 | | | 34.68 | 8.68 | 34.13 | 200 | 73 | Average |
| 5785 | 109.82 | 100.59 | | | 34.68 | 8.68 | 34.13 | 200 | 73 | Peak |
| 11570 | 46.74 | 31.43 | 54 | -7.26 | 38 | 12.68 | 35.37 | 125 | 288 | Average |
| 11570 | 56.15 | 40.84 | 74 | -17.85 | 38 | 12.68 | 35.37 | 125 | 288 | Peak |

<Out of Band Emission (OOBE)>

| Antenna Polarity & Test Distance: Horizontal at 3 m | | | | | | | | | | |
|---|-------------------------|-------------------|----------------|-------------|-----------------------|-----------------|--------------------|---------------------|----------------------|--------|
| Frequency (MHz) | Emission Level (dBuV/m) | Read Level (dBuV) | Limit (dBuV/m) | Margin (dB) | Antenna Factor (dB/m) | Cable Loss (dB) | Preamp Factor (dB) | Antenna Height (cm) | Table Angle (Degree) | Remark |
| *5609.725 | 54.88 | 45.85 | 68.2 | -13.32 | 34.5 | 8.61 | 34.08 | 200 | 53 | Peak |
| 5652.25 | 50.59 | 41.5 | 69.86 | -19.27 | 34.56 | 8.62 | 34.09 | 200 | 53 | Peak |
| 5921.05 | 50.25 | 40.87 | 71.12 | -20.87 | 34.81 | 8.73 | 34.16 | 200 | 53 | Peak |
| *5990.35 | 53.52 | 44.03 | 68.2 | -14.68 | 34.9 | 8.76 | 34.17 | 200 | 53 | Peak |
| Antenna Polarity & Test Distance: Vertical at 3 m | | | | | | | | | | |
| Frequency (MHz) | Emission Level (dBuV/m) | Read Level (dBuV) | Limit (dBuV/m) | Margin (dB) | Antenna Factor (dB/m) | Cable Loss (dB) | Preamp Factor (dB) | Antenna Height (cm) | Table Angle (Degree) | Remark |
| *5622.85 | 54.25 | 45.2 | 68.2 | -13.95 | 34.52 | 8.61 | 34.08 | 200 | 73 | Peak |
| 5653.3 | 53.5 | 44.4 | 70.64 | -17.14 | 34.56 | 8.63 | 34.09 | 200 | 73 | Peak |
| 5924.2 | 53.15 | 43.75 | 68.79 | -15.64 | 34.83 | 8.73 | 34.16 | 200 | 73 | Peak |
| *5945.725 | 53.65 | 44.22 | 68.2 | -14.55 | 34.85 | 8.74 | 34.16 | 200 | 73 | Peak |

Remarks:

- Emission Level = Read Level + Antenna Factor + Cable Loss - Preamp Factor
Margin value = Emission level – Limit value
- 5785 MHz: Fundamental Frequency
- *: Out of Restricted Band
- The emission levels of other frequencies were very low against the limit

| EUT Test Condition | | Measurement Detail | |
|--------------------------|--------------------|--------------------|---------------------------|
| Channel | Channel 165 | Frequency Range | 1 GHz ~ 40 GHz |
| Input Power | 120 Vac, 60 Hz | Detector Function | Peak (PK) Average (AV) |
| Environmental Conditions | 25 deg. C, 65 % RH | Tested By | Karl Lee |

<Spurious Emission>

| Antenna Polarity & Test Distance: Horizontal at 3 m | | | | | | | | | | |
|---|-------------------------|-------------------|----------------|-------------|-----------------------|-----------------|--------------------|---------------------|----------------------|---------|
| Frequency (MHz) | Emission Level (dBuV/m) | Read Level (dBuV) | Limit (dBuV/m) | Margin (dB) | Antenna Factor (dB/m) | Cable Loss (dB) | Preamp Factor (dB) | Antenna Height (cm) | Table Angle (Degree) | Remark |
| 5825 | 101.39 | 92.1 | | | 34.73 | 8.69 | 34.13 | 200 | 53 | Average |
| 5825 | 108.24 | 98.95 | | | 34.73 | 8.69 | 34.13 | 200 | 53 | Peak |
| 11650 | 47 | 31.47 | 54 | -7 | 38.09 | 12.8 | 35.36 | 128 | 111 | Average |
| 11650 | 55.98 | 40.45 | 74 | -18.02 | 38.09 | 12.8 | 35.36 | 128 | 111 | Peak |
| Antenna Polarity & Test Distance: Vertical at 3 m | | | | | | | | | | |
| Frequency (MHz) | Emission Level (dBuV/m) | Read Level (dBuV) | Limit (dBuV/m) | Margin (dB) | Antenna Factor (dB/m) | Cable Loss (dB) | Preamp Factor (dB) | Antenna Height (cm) | Table Angle (Degree) | Remark |
| 5825 | 102.55 | 93.26 | | | 34.73 | 8.69 | 34.13 | 200 | 73 | Average |
| 5825 | 109.33 | 100.04 | | | 34.73 | 8.69 | 34.13 | 200 | 73 | Peak |
| 11650 | 47.1 | 31.57 | 54 | -6.9 | 38.09 | 12.8 | 35.36 | 134 | 266 | Average |
| 11650 | 56.61 | 41.08 | 74 | -17.39 | 38.09 | 12.8 | 35.36 | 134 | 266 | Peak |

<Out of Band Emission (OOBE)>

| Antenna Polarity & Test Distance: Horizontal at 3 m | | | | | | | | | | |
|---|-------------------------|-------------------|----------------|-------------|-----------------------|-----------------|--------------------|---------------------|----------------------|--------|
| Frequency (MHz) | Emission Level (dBuV/m) | Read Level (dBuV) | Limit (dBuV/m) | Margin (dB) | Antenna Factor (dB/m) | Cable Loss (dB) | Preamp Factor (dB) | Antenna Height (cm) | Table Angle (Degree) | Remark |
| *5503.675 | 53.71 | 44.8 | 68.2 | -14.49 | 34.4 | 8.57 | 34.06 | 200 | 53 | Peak |
| 5652.775 | 51.9 | 42.8 | 70.25 | -18.35 | 34.56 | 8.63 | 34.09 | 200 | 53 | Peak |
| 5923.15 | 50.41 | 41.01 | 69.57 | -19.16 | 34.83 | 8.73 | 34.16 | 200 | 53 | Peak |
| *6025 | 53.75 | 44.23 | 68.2 | -14.45 | 34.93 | 8.77 | 34.18 | 200 | 53 | Peak |
| Antenna Polarity & Test Distance: Vertical at 3 m | | | | | | | | | | |
| Frequency (MHz) | Emission Level (dBuV/m) | Read Level (dBuV) | Limit (dBuV/m) | Margin (dB) | Antenna Factor (dB/m) | Cable Loss (dB) | Preamp Factor (dB) | Antenna Height (cm) | Table Angle (Degree) | Remark |
| *5616.55 | 53.99 | 44.94 | 68.2 | -14.21 | 34.52 | 8.61 | 34.08 | 200 | 73 | Peak |
| 5652.25 | 51.38 | 42.29 | 69.86 | -18.48 | 34.56 | 8.62 | 34.09 | 200 | 73 | Peak |
| 5923.675 | 50.35 | 40.95 | 69.18 | -18.83 | 34.83 | 8.73 | 34.16 | 200 | 73 | Peak |
| *5977.75 | 54.31 | 44.85 | 68.2 | -13.89 | 34.88 | 8.75 | 34.17 | 200 | 73 | Peak |

Remarks:

- Emission Level = Read Level + Antenna Factor + Cable Loss - Preamp Factor
Margin value = Emission level – Limit value
- 5825 MHz: Fundamental Frequency
- *: Out of Restricted Band
- The emission levels of other frequencies were very low against the limit

802.11n (HT20)

| EUT Test Condition | | Measurement Detail | |
|--------------------------|--------------------|--------------------|---------------------------|
| Channel | Channel 36 | Frequency Range | 1 GHz ~ 40 GHz |
| Input Power | 120 Vac, 60 Hz | Detector Function | Peak (PK) Average (AV) |
| Environmental Conditions | 25 deg. C, 65 % RH | Tested By | Charles Hsiao |

Antenna Polarity & Test Distance: Horizontal at 3 m

| Frequency (MHz) | Emission Level (dBuV/m) | Read Level (dBuV) | Limit (dBuV/m) | Margin (dB) | Antenna Factor (dB/m) | Cable Loss (dB) | Preamp Factor (dB) | Antenna Height (cm) | Table Angle (Degree) | Remark |
|-----------------|-------------------------|-------------------|----------------|-------------|-----------------------|-----------------|--------------------|---------------------|----------------------|---------|
| 5149.7 | 52.83 | 44.58 | 54 | -1.17 | 34.12 | 8.13 | 34 | 199 | 9 | Average |
| 5149.7 | 62.78 | 54.53 | 74 | -11.22 | 34.12 | 8.13 | 34 | 199 | 9 | Peak |
| 5180 | 102.58 | 94.27 | | | 34.15 | 8.16 | 34 | 199 | 9 | Average |
| 5180 | 109.39 | 101.08 | | | 34.15 | 8.16 | 34 | 199 | 9 | Peak |
| *10360 | 56.02 | 41.72 | 68.2 | -12.18 | 37.12 | 12.3 | 35.12 | 145 | 5 | Peak |

Antenna Polarity & Test Distance: Vertical at 3 m

| Frequency (MHz) | Emission Level (dBuV/m) | Read Level (dBuV) | Limit (dBuV/m) | Margin (dB) | Antenna Factor (dB/m) | Cable Loss (dB) | Preamp Factor (dB) | Antenna Height (cm) | Table Angle (Degree) | Remark |
|-----------------|-------------------------|-------------------|----------------|-------------|-----------------------|-----------------|--------------------|---------------------|----------------------|---------|
| 5149.4 | 47.5 | 39.25 | 54 | -6.5 | 34.12 | 8.13 | 34 | 200 | 145 | Average |
| 5149.4 | 58.98 | 50.73 | 74 | -15.02 | 34.12 | 8.13 | 34 | 200 | 145 | Peak |
| 5180 | 100.27 | 91.96 | | | 34.15 | 8.16 | 34 | 200 | 145 | Average |
| 5180 | 107.59 | 99.28 | | | 34.15 | 8.16 | 34 | 200 | 145 | Peak |
| *10360 | 55.79 | 41.49 | 68.2 | -12.41 | 37.12 | 12.3 | 35.12 | 141 | 112 | Peak |

Remarks:

- Emission Level = Read Level + Antenna Factor + Cable Loss - Preamp Factor
Margin value = Emission level – Limit value
- 5180 MHz: Fundamental Frequency
- *: Out of Restricted Band
- The emission levels of other frequencies were very low against the limit

| EUT Test Condition | | Measurement Detail | |
|--------------------------|--------------------|--------------------|---------------------------|
| Channel | Channel 40 | Frequency Range | 1 GHz ~ 40 GHz |
| Input Power | 120 Vac, 60 Hz | Detector Function | Peak (PK) Average (AV) |
| Environmental Conditions | 25 deg. C, 65 % RH | Tested By | Charles Hsiao |

| Antenna Polarity & Test Distance: Horizontal at 3 m | | | | | | | | | | |
|---|-------------------------|-------------------|----------------|-------------|-----------------------|-----------------|--------------------|---------------------|----------------------|---------|
| Frequency (MHz) | Emission Level (dBuV/m) | Read Level (dBuV) | Limit (dBuV/m) | Margin (dB) | Antenna Factor (dB/m) | Cable Loss (dB) | Preamp Factor (dB) | Antenna Height (cm) | Table Angle (Degree) | Remark |
| 5148.2 | 52.81 | 44.56 | 54 | -1.19 | 34.12 | 8.13 | 34 | 199 | 9 | Average |
| 5148.2 | 61.8 | 53.55 | 74 | -12.2 | 34.12 | 8.13 | 34 | 199 | 9 | Peak |
| 5200 | 103.69 | 95.34 | | | 34.16 | 8.19 | 34 | 199 | 9 | Average |
| 5200 | 110.01 | 101.66 | | | 34.16 | 8.19 | 34 | 199 | 9 | Peak |
| 5425.57 | 42.89 | 34.12 | 54 | -11.11 | 34.33 | 8.48 | 34.04 | 199 | 9 | Average |
| 5425.57 | 53.86 | 45.09 | 74 | -20.14 | 34.33 | 8.48 | 34.04 | 199 | 9 | Peak |
| *10400 | 55.26 | 40.92 | 68.2 | -12.94 | 37.14 | 12.36 | 35.16 | 158 | 114 | Peak |

| Antenna Polarity & Test Distance: Vertical at 3 m | | | | | | | | | | |
|---|-------------------------|-------------------|----------------|-------------|-----------------------|-----------------|--------------------|---------------------|----------------------|---------|
| Frequency (MHz) | Emission Level (dBuV/m) | Read Level (dBuV) | Limit (dBuV/m) | Margin (dB) | Antenna Factor (dB/m) | Cable Loss (dB) | Preamp Factor (dB) | Antenna Height (cm) | Table Angle (Degree) | Remark |
| 5149.55 | 50.95 | 42.7 | 54 | -3.05 | 34.12 | 8.13 | 34 | 200 | 145 | Average |
| 5149.55 | 62.07 | 53.82 | 74 | -11.93 | 34.12 | 8.13 | 34 | 200 | 145 | Peak |
| 5200 | 101.47 | 93.12 | | | 34.16 | 8.19 | 34 | 200 | 145 | Average |
| 5200 | 108.45 | 100.1 | | | 34.16 | 8.19 | 34 | 200 | 145 | Peak |
| 5448.01 | 42.63 | 33.8 | 54 | -11.37 | 34.36 | 8.51 | 34.04 | 200 | 145 | Average |
| 5448.01 | 53.49 | 44.66 | 74 | -20.51 | 34.36 | 8.51 | 34.04 | 200 | 145 | Peak |
| *10400 | 55.23 | 40.89 | 68.2 | -12.97 | 37.14 | 12.36 | 35.16 | 115 | 3 | Peak |

Remarks:

- Emission Level = Read Level + Antenna Factor + Cable Loss - Preamp Factor
Margin value = Emission level – Limit value
- 5200 MHz: Fundamental Frequency
- *: Out of Restricted Band
- The emission levels of other frequencies were very low against the limit

| EUT Test Condition | | Measurement Detail | |
|--------------------------|--------------------|--------------------|---------------------------|
| Channel | Channel 48 | Frequency Range | 1 GHz ~ 40 GHz |
| Input Power | 120 Vac, 60 Hz | Detector Function | Peak (PK) Average (AV) |
| Environmental Conditions | 25 deg. C, 65 % RH | Tested By | Charles Hsiao |

| Antenna Polarity & Test Distance: Horizontal at 3 m | | | | | | | | | | |
|---|-------------------------|-------------------|----------------|-------------|-----------------------|-----------------|--------------------|---------------------|----------------------|---------|
| Frequency (MHz) | Emission Level (dBuV/m) | Read Level (dBuV) | Limit (dBuV/m) | Margin (dB) | Antenna Factor (dB/m) | Cable Loss (dB) | Preamp Factor (dB) | Antenna Height (cm) | Table Angle (Degree) | Remark |
| 5240 | 103.69 | 95.25 | | | 34.19 | 8.26 | 34.01 | 199 | 9 | Average |
| 5240 | 110.05 | 101.61 | | | 34.19 | 8.26 | 34.01 | 199 | 9 | Peak |
| 5425.13 | 43.57 | 34.8 | 54 | -10.43 | 34.33 | 8.48 | 34.04 | 199 | 9 | Average |
| 5425.13 | 54.16 | 45.39 | 74 | -19.84 | 34.33 | 8.48 | 34.04 | 199 | 9 | Peak |
| *10480 | 56.07 | 41.56 | 68.2 | -12.13 | 37.19 | 12.53 | 35.21 | 156 | 119 | Peak |

| Antenna Polarity & Test Distance: Vertical at 3 m | | | | | | | | | | |
|---|-------------------------|-------------------|----------------|-------------|-----------------------|-----------------|--------------------|---------------------|----------------------|---------|
| Frequency (MHz) | Emission Level (dBuV/m) | Read Level (dBuV) | Limit (dBuV/m) | Margin (dB) | Antenna Factor (dB/m) | Cable Loss (dB) | Preamp Factor (dB) | Antenna Height (cm) | Table Angle (Degree) | Remark |
| 5240 | 101.29 | 92.85 | | | 34.19 | 8.26 | 34.01 | 200 | 145 | Average |
| 5240 | 108.34 | 99.9 | | | 34.19 | 8.26 | 34.01 | 200 | 145 | Peak |
| 5450.1 | 42.68 | 33.86 | 54 | -11.32 | 34.36 | 8.51 | 34.05 | 200 | 145 | Average |
| 5450.1 | 53.22 | 44.4 | 74 | -20.78 | 34.36 | 8.51 | 34.05 | 200 | 145 | Peak |
| *10480 | 55.63 | 41.12 | 68.2 | -12.57 | 37.19 | 12.53 | 35.21 | 124 | 47 | Peak |

Remarks:

- Emission Level = Read Level + Antenna Factor + Cable Loss - Preamp Factor
Margin value = Emission level – Limit value
- 5240 MHz: Fundamental Frequency
- *: Out of Restricted Band
- The emission levels of other frequencies were very low against the limit

| EUT Test Condition | | Measurement Detail | |
|--------------------------|--------------------|--------------------|---------------------------|
| Channel | Channel 52 | Frequency Range | 1 GHz ~ 40 GHz |
| Input Power | 120 Vac, 60 Hz | Detector Function | Peak (PK) Average (AV) |
| Environmental Conditions | 25 deg. C, 65 % RH | Tested By | Harry Hsueh |

| Antenna Polarity & Test Distance: Horizontal at 3 m | | | | | | | | | | |
|---|-------------------------|-------------------|----------------|-------------|-----------------------|-----------------|--------------------|---------------------|----------------------|---------|
| Frequency (MHz) | Emission Level (dBuV/m) | Read Level (dBuV) | Limit (dBuV/m) | Margin (dB) | Antenna Factor (dB/m) | Cable Loss (dB) | Preamp Factor (dB) | Antenna Height (cm) | Table Angle (Degree) | Remark |
| 5132.3 | 42.57 | 34.35 | 54 | -11.43 | 34.11 | 8.1 | 33.99 | 237 | 360 | Average |
| 5132.3 | 53.58 | 45.36 | 74 | -20.42 | 34.11 | 8.1 | 33.99 | 237 | 360 | Peak |
| 5260 | 97.04 | 88.58 | | | 34.21 | 8.26 | 34.01 | 237 | 360 | Average |
| 5260 | 105.35 | 96.89 | | | 34.21 | 8.26 | 34.01 | 237 | 360 | Peak |
| *10520 | 55.91 | 41.32 | 68.2 | -12.29 | 37.21 | 12.61 | 35.23 | 154 | 2 | Peak |

| Antenna Polarity & Test Distance: Vertical at 3 m | | | | | | | | | | |
|---|-------------------------|-------------------|----------------|-------------|-----------------------|-----------------|--------------------|---------------------|----------------------|---------|
| Frequency (MHz) | Emission Level (dBuV/m) | Read Level (dBuV) | Limit (dBuV/m) | Margin (dB) | Antenna Factor (dB/m) | Cable Loss (dB) | Preamp Factor (dB) | Antenna Height (cm) | Table Angle (Degree) | Remark |
| 5127.5 | 42.43 | 34.21 | 54 | -11.57 | 34.11 | 8.1 | 33.99 | 199 | 276 | Average |
| 5127.5 | 53 | 44.78 | 74 | -21 | 34.11 | 8.1 | 33.99 | 199 | 276 | Peak |
| 5260 | 93.57 | 85.11 | | | 34.21 | 8.26 | 34.01 | 199 | 276 | Average |
| 5260 | 101.83 | 93.37 | | | 34.21 | 8.26 | 34.01 | 199 | 276 | Peak |
| *10520 | 56.92 | 42.33 | 68.2 | -11.28 | 37.21 | 12.61 | 35.23 | 115 | 132 | Peak |

Remarks:

- Emission Level = Read Level + Antenna Factor + Cable Loss - Preamp Factor
Margin value = Emission level – Limit value
- 5260 MHz: Fundamental Frequency
- *: Out of Restricted Band
- The emission levels of other frequencies were very low against the limit

| EUT Test Condition | | Measurement Detail | |
|--------------------------|--------------------|--------------------|---------------------------|
| Channel | Channel 60 | Frequency Range | 1 GHz ~ 40 GHz |
| Input Power | 120 Vac, 60 Hz | Detector Function | Peak (PK) Average (AV) |
| Environmental Conditions | 25 deg. C, 65 % RH | Tested By | Harry Hsueh |

| Antenna Polarity & Test Distance: Horizontal at 3 m | | | | | | | | | | |
|---|-------------------------|-------------------|----------------|-------------|-----------------------|-----------------|--------------------|---------------------|----------------------|---------|
| Frequency (MHz) | Emission Level (dBuV/m) | Read Level (dBuV) | Limit (dBuV/m) | Margin (dB) | Antenna Factor (dB/m) | Cable Loss (dB) | Preamp Factor (dB) | Antenna Height (cm) | Table Angle (Degree) | Remark |
| 5120.45 | 42.44 | 34.24 | 54 | -11.56 | 34.09 | 8.1 | 33.99 | 237 | 360 | Average |
| 5120.45 | 52.88 | 44.68 | 74 | -21.12 | 34.09 | 8.1 | 33.99 | 237 | 360 | Peak |
| 5300 | 97.08 | 88.54 | | | 34.24 | 8.32 | 34.02 | 237 | 360 | Average |
| 5300 | 105.28 | 96.74 | | | 34.24 | 8.32 | 34.02 | 237 | 360 | Peak |
| 5451.86 | 42.98 | 34.16 | 54 | -11.02 | 34.36 | 8.51 | 34.05 | 237 | 360 | Average |
| 5451.86 | 53.5 | 44.68 | 74 | -20.5 | 34.36 | 8.51 | 34.05 | 237 | 360 | Peak |
| 10600 | 46.67 | 31.99 | 54 | -7.33 | 37.28 | 12.67 | 35.27 | 144 | 344 | Average |
| 10600 | 57.37 | 42.69 | 74 | -16.63 | 37.28 | 12.67 | 35.27 | 144 | 344 | Peak |
| Antenna Polarity & Test Distance: Vertical at 3 m | | | | | | | | | | |
| Frequency (MHz) | Emission Level (dBuV/m) | Read Level (dBuV) | Limit (dBuV/m) | Margin (dB) | Antenna Factor (dB/m) | Cable Loss (dB) | Preamp Factor (dB) | Antenna Height (cm) | Table Angle (Degree) | Remark |
| 5107.1 | 42.41 | 34.24 | 54 | -11.59 | 34.09 | 8.07 | 33.99 | 199 | 276 | Average |
| 5107.1 | 52.96 | 44.79 | 74 | -21.04 | 34.09 | 8.07 | 33.99 | 199 | 276 | Peak |
| 5300 | 93.68 | 85.14 | | | 34.24 | 8.32 | 34.02 | 199 | 276 | Average |
| 5300 | 101.66 | 93.12 | | | 34.24 | 8.32 | 34.02 | 199 | 276 | Peak |
| 5445.37 | 43.06 | 34.24 | 54 | -10.94 | 34.35 | 8.51 | 34.04 | 199 | 276 | Average |
| 5445.37 | 53.32 | 44.5 | 74 | -20.68 | 34.35 | 8.51 | 34.04 | 199 | 276 | Peak |
| 10600 | 47.22 | 32.54 | 54 | -6.78 | 37.28 | 12.67 | 35.27 | 215 | 55 | Average |
| 10600 | 56.24 | 41.56 | 74 | -17.76 | 37.28 | 12.67 | 35.27 | 215 | 55 | Peak |

Remarks:

- Emission Level = Read Level + Antenna Factor + Cable Loss - Preamp Factor
Margin value = Emission level – Limit value
- 5300 MHz: Fundamental Frequency
- *: Out of Restricted Band
- The emission levels of other frequencies were very low against the limit

| EUT Test Condition | | Measurement Detail | |
|--------------------------|--------------------|--------------------|---------------------------|
| Channel | Channel 64 | Frequency Range | 1 GHz ~ 40 GHz |
| Input Power | 120 Vac, 60 Hz | Detector Function | Peak (PK) Average (AV) |
| Environmental Conditions | 25 deg. C, 65 % RH | Tested By | Harry Hsueh |

| Antenna Polarity & Test Distance: Horizontal at 3 m | | | | | | | | | | |
|---|-------------------------|-------------------|----------------|-------------|-----------------------|-----------------|--------------------|---------------------|----------------------|---------|
| Frequency (MHz) | Emission Level (dBuV/m) | Read Level (dBuV) | Limit (dBuV/m) | Margin (dB) | Antenna Factor (dB/m) | Cable Loss (dB) | Preamp Factor (dB) | Antenna Height (cm) | Table Angle (Degree) | Remark |
| 5320 | 99.46 | 90.88 | | | 34.25 | 8.35 | 34.02 | 237 | 360 | Average |
| 5320 | 106.64 | 98.06 | | | 34.25 | 8.35 | 34.02 | 237 | 360 | Peak |
| 5350.33 | 46 | 37.37 | 54 | -8 | 34.28 | 8.38 | 34.03 | 237 | 360 | Average |
| 5350.33 | 55.47 | 46.84 | 74 | -18.53 | 34.28 | 8.38 | 34.03 | 237 | 360 | Peak |
| 10640 | 46.3 | 31.57 | 54 | -7.7 | 37.31 | 12.71 | 35.29 | 124 | 310 | Average |
| 10640 | 55.82 | 41.09 | 74 | -18.18 | 37.31 | 12.71 | 35.29 | 124 | 310 | Peak |

| Antenna Polarity & Test Distance: Vertical at 3 m | | | | | | | | | | |
|---|-------------------------|-------------------|----------------|-------------|-----------------------|-----------------|--------------------|---------------------|----------------------|---------|
| Frequency (MHz) | Emission Level (dBuV/m) | Read Level (dBuV) | Limit (dBuV/m) | Margin (dB) | Antenna Factor (dB/m) | Cable Loss (dB) | Preamp Factor (dB) | Antenna Height (cm) | Table Angle (Degree) | Remark |
| 5320 | 94.73 | 86.15 | | | 34.25 | 8.35 | 34.02 | 199 | 276 | Average |
| 5320 | 102.71 | 94.13 | | | 34.25 | 8.35 | 34.02 | 199 | 276 | Peak |
| 5350.11 | 44.24 | 35.61 | 54 | -9.76 | 34.28 | 8.38 | 34.03 | 199 | 276 | Average |
| 5350.11 | 53.69 | 45.06 | 74 | -20.31 | 34.28 | 8.38 | 34.03 | 199 | 276 | Peak |
| 10640 | 46.59 | 31.86 | 54 | -7.41 | 37.31 | 12.71 | 35.29 | 124 | 55 | Average |
| 10640 | 55.86 | 41.13 | 74 | -18.14 | 37.31 | 12.71 | 35.29 | 124 | 55 | Peak |

Remarks:

- Emission Level = Read Level + Antenna Factor + Cable Loss - Preamp Factor
Margin value = Emission level – Limit value
- 5320 MHz: Fundamental Frequency
- *: Out of Restricted Band
- The emission levels of other frequencies were very low against the limit

| EUT Test Condition | | Measurement Detail | |
|--------------------------|--------------------|--------------------|---------------------------|
| Channel | Channel 100 | Frequency Range | 1 GHz ~ 40 GHz |
| Input Power | 120 Vac, 60 Hz | Detector Function | Peak (PK) Average (AV) |
| Environmental Conditions | 25 deg. C, 65 % RH | Tested By | Charles Hsiao |

| Antenna Polarity & Test Distance: Horizontal at 3 m | | | | | | | | | | |
|---|-------------------------|-------------------|----------------|-------------|-----------------------|-----------------|--------------------|---------------------|----------------------|---------|
| Frequency (MHz) | Emission Level (dBuV/m) | Read Level (dBuV) | Limit (dBuV/m) | Margin (dB) | Antenna Factor (dB/m) | Cable Loss (dB) | Preamp Factor (dB) | Antenna Height (cm) | Table Angle (Degree) | Remark |
| 5459.6 | 43.69 | 34.87 | 54 | -10.31 | 34.36 | 8.51 | 34.05 | 226 | 12 | Average |
| 5459.6 | 53.73 | 44.91 | 74 | -20.27 | 34.36 | 8.51 | 34.05 | 226 | 12 | Peak |
| *5468.4 | 53.32 | 44.49 | 68.2 | -14.88 | 34.37 | 8.51 | 34.05 | 226 | 12 | Peak |
| 5500 | 101.4 | 92.48 | | | 34.4 | 8.57 | 34.05 | 226 | 7 | Average |
| 5500 | 108.13 | 99.21 | | | 34.4 | 8.57 | 34.05 | 226 | 7 | Peak |
| 11000 | 47.24 | 32.16 | 54 | -6.76 | 37.6 | 12.96 | 35.48 | 141 | 4 | Average |
| 11000 | 57.5 | 42.42 | 74 | -16.5 | 37.6 | 12.96 | 35.48 | 141 | 4 | Peak |
| Antenna Polarity & Test Distance: Vertical at 3 m | | | | | | | | | | |
| Frequency (MHz) | Emission Level (dBuV/m) | Read Level (dBuV) | Limit (dBuV/m) | Margin (dB) | Antenna Factor (dB/m) | Cable Loss (dB) | Preamp Factor (dB) | Antenna Height (cm) | Table Angle (Degree) | Remark |
| 5458.32 | 42.71 | 33.89 | 54 | -11.29 | 34.36 | 8.51 | 34.05 | 174 | 278 | Average |
| 5458.32 | 53.78 | 44.96 | 74 | -20.22 | 34.36 | 8.51 | 34.05 | 174 | 278 | Peak |
| *5468.24 | 52.89 | 44.06 | 68.2 | -15.31 | 34.37 | 8.51 | 34.05 | 174 | 278 | Peak |
| 5500 | 98.18 | 89.26 | | | 34.4 | 8.57 | 34.05 | 174 | 278 | Average |
| 5500 | 105.35 | 96.43 | | | 34.4 | 8.57 | 34.05 | 174 | 278 | Peak |
| 11000 | 47.19 | 32.11 | 54 | -6.81 | 37.6 | 12.96 | 35.48 | 195 | 360 | Average |
| 11000 | 57.86 | 42.78 | 74 | -16.14 | 37.6 | 12.96 | 35.48 | 195 | 360 | Peak |

Remarks:

- Emission Level = Read Level + Antenna Factor + Cable Loss - Preamp Factor
Margin value = Emission level – Limit value
- 5500 MHz: Fundamental Frequency
- *: Out of Restricted Band
- The emission levels of other frequencies were very low against the limit

| EUT Test Condition | | Measurement Detail | |
|--------------------------|--------------------|--------------------|---------------------------|
| Channel | Channel 116 | Frequency Range | 1 GHz ~ 40 GHz |
| Input Power | 120 Vac, 60 Hz | Detector Function | Peak (PK) Average (AV) |
| Environmental Conditions | 25 deg. C, 65 % RH | Tested By | Charles Hsiao |

| Antenna Polarity & Test Distance: Horizontal at 3 m | | | | | | | | | | |
|---|-------------------------|-------------------|----------------|-------------|-----------------------|-----------------|--------------------|---------------------|----------------------|---------|
| Frequency (MHz) | Emission Level (dBuV/m) | Read Level (dBuV) | Limit (dBuV/m) | Margin (dB) | Antenna Factor (dB/m) | Cable Loss (dB) | Preamp Factor (dB) | Antenna Height (cm) | Table Angle (Degree) | Remark |
| 5449.04 | 42.7 | 33.87 | 54 | -11.3 | 34.36 | 8.51 | 34.04 | 226 | 7 | Average |
| 5449.04 | 53.43 | 44.6 | 74 | -20.57 | 34.36 | 8.51 | 34.04 | 226 | 7 | Peak |
| *5468.08 | 52.55 | 43.72 | 68.2 | -15.65 | 34.37 | 8.51 | 34.05 | 226 | 7 | Peak |
| 5580 | 105.06 | 96.07 | | | 34.47 | 8.6 | 34.08 | 226 | 7 | Average |
| 5580 | 112.62 | 103.63 | | | 34.47 | 8.6 | 34.08 | 226 | 7 | Peak |
| *5725.16 | 52.84 | 43.68 | 68.2 | -15.36 | 34.62 | 8.65 | 34.11 | 226 | 7 | Peak |
| 11160 | 47.11 | 32.03 | 54 | -6.89 | 37.7 | 12.83 | 35.45 | 158 | 8 | Average |
| 11160 | 57.88 | 42.8 | 74 | -16.12 | 37.7 | 12.83 | 35.45 | 158 | 8 | Peak |
| Antenna Polarity & Test Distance: Vertical at 3 m | | | | | | | | | | |
| Frequency (MHz) | Emission Level (dBuV/m) | Read Level (dBuV) | Limit (dBuV/m) | Margin (dB) | Antenna Factor (dB/m) | Cable Loss (dB) | Preamp Factor (dB) | Antenna Height (cm) | Table Angle (Degree) | Remark |
| 5376.08 | 42.98 | 34.32 | 54 | -11.02 | 34.29 | 8.41 | 34.04 | 174 | 278 | Average |
| 5376.08 | 53.66 | 45 | 74 | -20.34 | 34.29 | 8.41 | 34.04 | 174 | 278 | Peak |
| *5469.04 | 52.16 | 43.33 | 68.2 | -16.04 | 34.37 | 8.51 | 34.05 | 174 | 278 | Peak |
| 5580 | 101.26 | 92.27 | | | 34.47 | 8.6 | 34.08 | 174 | 278 | Average |
| 5580 | 109.46 | 100.47 | | | 34.47 | 8.6 | 34.08 | 174 | 278 | Peak |
| *5725.16 | 52.33 | 43.17 | 68.2 | -15.87 | 34.62 | 8.65 | 34.11 | 174 | 278 | Peak |
| 11160 | 46.94 | 31.86 | 54 | -7.06 | 37.7 | 12.83 | 35.45 | 124 | 2 | Average |
| 11160 | 58.12 | 43.04 | 74 | -15.88 | 37.7 | 12.83 | 35.45 | 124 | 2 | Peak |

Remarks:

- Emission Level = Read Level + Antenna Factor + Cable Loss - Preamp Factor
Margin value = Emission level – Limit value
- 5580 MHz: Fundamental Frequency
- *: Out of Restricted Band
- The emission levels of other frequencies were very low against the limit

| EUT Test Condition | | Measurement Detail | |
|--------------------------|--------------------|--------------------|---------------------------|
| Channel | Channel 140 | Frequency Range | 1 GHz ~ 40 GHz |
| Input Power | 120 Vac, 60 Hz | Detector Function | Peak (PK) Average (AV) |
| Environmental Conditions | 25 deg. C, 65 % RH | Tested By | Charles Hsiao |

| Antenna Polarity & Test Distance: Horizontal at 3 m | | | | | | | | | | |
|---|-------------------------|-------------------|----------------|-------------|-----------------------|-----------------|--------------------|---------------------|----------------------|---------|
| Frequency (MHz) | Emission Level (dBuV/m) | Read Level (dBuV) | Limit (dBuV/m) | Margin (dB) | Antenna Factor (dB/m) | Cable Loss (dB) | Preamp Factor (dB) | Antenna Height (cm) | Table Angle (Degree) | Remark |
| 5700 | 102.08 | 92.95 | | | 34.59 | 8.64 | 34.1 | 236 | 7 | Average |
| 5700 | 109.97 | 100.84 | | | 34.59 | 8.64 | 34.1 | 236 | 7 | Peak |
| *5724.2 | 60.98 | 51.82 | 68.2 | -7.22 | 34.62 | 8.65 | 34.11 | 236 | 13 | Peak |
| 11400 | 46.59 | 31.49 | 54 | -7.41 | 37.84 | 12.67 | 35.41 | 184 | 7 | Average |
| 11400 | 57.41 | 42.31 | 74 | -16.59 | 37.84 | 12.67 | 35.41 | 184 | 7 | Peak |
| Antenna Polarity & Test Distance: Vertical at 3 m | | | | | | | | | | |
| Frequency (MHz) | Emission Level (dBuV/m) | Read Level (dBuV) | Limit (dBuV/m) | Margin (dB) | Antenna Factor (dB/m) | Cable Loss (dB) | Preamp Factor (dB) | Antenna Height (cm) | Table Angle (Degree) | Remark |
| 5700 | 99.71 | 90.58 | | | 34.59 | 8.64 | 34.1 | 174 | 278 | Average |
| 5700 | 106.1 | 96.97 | | | 34.59 | 8.64 | 34.1 | 174 | 278 | Peak |
| *5725.48 | 52.36 | 43.2 | 68.2 | -15.84 | 34.62 | 8.65 | 34.11 | 174 | 278 | Peak |
| 11400 | 47.17 | 32.07 | 54 | -6.83 | 37.84 | 12.67 | 35.41 | 195 | 9 | Average |
| 11400 | 57.47 | 42.37 | 74 | -16.53 | 37.84 | 12.67 | 35.41 | 195 | 9 | Peak |

Remarks:

- Emission Level = Read Level + Antenna Factor + Cable Loss - Preamp Factor
Margin value = Emission level – Limit value
- 5700 MHz: Fundamental Frequency
- *: Out of Restricted Band
- The emission levels of other frequencies were very low against the limit

| EUT Test Condition | | Measurement Detail | |
|--------------------------|--------------------|--------------------|---------------------------|
| Channel | Channel 144 | Frequency Range | 1 GHz ~ 40 GHz |
| Input Power | 120 Vac, 60 Hz | Detector Function | Peak (PK) Average (AV) |
| Environmental Conditions | 25 deg. C, 65 % RH | Tested By | Charles Hsiao |

| Antenna Polarity & Test Distance: Horizontal at 3 m | | | | | | | | | | |
|---|-------------------------|-------------------|----------------|-------------|-----------------------|-----------------|--------------------|---------------------|----------------------|---------|
| Frequency (MHz) | Emission Level (dBuV/m) | Read Level (dBuV) | Limit (dBuV/m) | Margin (dB) | Antenna Factor (dB/m) | Cable Loss (dB) | Preamp Factor (dB) | Antenna Height (cm) | Table Angle (Degree) | Remark |
| 5458.64 | 42.75 | 33.93 | 54 | -11.25 | 34.36 | 8.51 | 34.05 | 236 | 7 | Average |
| 5458.64 | 52.87 | 44.05 | 74 | -21.13 | 34.36 | 8.51 | 34.05 | 236 | 7 | Peak |
| *5470.64 | 52.18 | 43.35 | 68.2 | -16.02 | 34.37 | 8.51 | 34.05 | 236 | 7 | Peak |
| 5720 | 103.87 | 94.71 | | | 34.62 | 8.65 | 34.11 | 236 | 7 | Average |
| 5720 | 110.8 | 101.64 | | | 34.62 | 8.65 | 34.11 | 236 | 7 | Peak |
| 11440 | 46.58 | 31.47 | 54 | -7.42 | 37.86 | 12.65 | 35.4 | 168 | 199 | Average |
| 11440 | 56.78 | 41.67 | 74 | -17.22 | 37.86 | 12.65 | 35.4 | 168 | 199 | Peak |
| Antenna Polarity & Test Distance: Vertical at 3 m | | | | | | | | | | |
| Frequency (MHz) | Emission Level (dBuV/m) | Read Level (dBuV) | Limit (dBuV/m) | Margin (dB) | Antenna Factor (dB/m) | Cable Loss (dB) | Preamp Factor (dB) | Antenna Height (cm) | Table Angle (Degree) | Remark |
| 5459.6 | 42.74 | 33.92 | 54 | -11.26 | 34.36 | 8.51 | 34.05 | 174 | 278 | Average |
| 5459.6 | 53.54 | 44.72 | 74 | -20.46 | 34.36 | 8.51 | 34.05 | 174 | 278 | Peak |
| *5468.88 | 52.48 | 43.65 | 68.2 | -15.72 | 34.37 | 8.51 | 34.05 | 174 | 278 | Peak |
| 5720 | 99.03 | 89.87 | | | 34.62 | 8.65 | 34.11 | 174 | 278 | Average |
| 5720 | 107.42 | 98.26 | | | 34.62 | 8.65 | 34.11 | 174 | 278 | Peak |
| 11440 | 47.17 | 32.06 | 54 | -6.83 | 37.86 | 12.65 | 35.4 | 158 | 85 | Average |
| 11440 | 56.83 | 41.72 | 74 | -17.17 | 37.86 | 12.65 | 35.4 | 158 | 85 | Peak |

Remarks:

- Emission Level = Read Level + Antenna Factor + Cable Loss - Preamp Factor
Margin value = Emission level – Limit value
- 5720 MHz: Fundamental Frequency
- *: Out of Restricted Band
- The emission levels of other frequencies were very low against the limit

| EUT Test Condition | | Measurement Detail | |
|--------------------------|--------------------|--------------------|---------------------------|
| Channel | Channel 149 | Frequency Range | 1 GHz ~ 40 GHz |
| Input Power | 120 Vac, 60 Hz | Detector Function | Peak (PK) Average (AV) |
| Environmental Conditions | 25 deg. C, 65 % RH | Tested By | Charles Hsiao |

<Spurious Emission>

| Antenna Polarity & Test Distance: Horizontal at 3 m | | | | | | | | | | |
|---|-------------------------|-------------------|----------------|-------------|-----------------------|-----------------|--------------------|---------------------|----------------------|---------|
| Frequency (MHz) | Emission Level (dBuV/m) | Read Level (dBuV) | Limit (dBuV/m) | Margin (dB) | Antenna Factor (dB/m) | Cable Loss (dB) | Preamp Factor (dB) | Antenna Height (cm) | Table Angle (Degree) | Remark |
| 5745 | 96.57 | 87.38 | | | 34.64 | 8.66 | 34.11 | 177 | 0 | Average |
| 5745 | 103.19 | 94 | | | 34.64 | 8.66 | 34.11 | 177 | 0 | Peak |
| 11490 | 47.17 | 32.05 | 54 | -6.83 | 37.89 | 12.62 | 35.39 | 158 | 8 | Average |
| 11490 | 57.21 | 42.09 | 74 | -16.79 | 37.89 | 12.62 | 35.39 | 158 | 8 | Peak |
| Antenna Polarity & Test Distance: Vertical at 3 m | | | | | | | | | | |
| Frequency (MHz) | Emission Level (dBuV/m) | Read Level (dBuV) | Limit (dBuV/m) | Margin (dB) | Antenna Factor (dB/m) | Cable Loss (dB) | Preamp Factor (dB) | Antenna Height (cm) | Table Angle (Degree) | Remark |
| 5745 | 99.78 | 90.59 | | | 34.64 | 8.66 | 34.11 | 237 | 60 | Average |
| 5745 | 106.26 | 97.07 | | | 34.64 | 8.66 | 34.11 | 237 | 60 | Peak |
| 11490 | 47.1 | 31.98 | 54 | -6.9 | 37.89 | 12.62 | 35.39 | 158 | 8 | Average |
| 11490 | 57.27 | 42.15 | 74 | -16.73 | 37.89 | 12.62 | 35.39 | 158 | 8 | Peak |

<Out of Band Emission (OOBE)>

| Antenna Polarity & Test Distance: Horizontal at 3 m | | | | | | | | | | |
|---|-------------------------|-------------------|----------------|-------------|-----------------------|-----------------|--------------------|---------------------|----------------------|--------|
| Frequency (MHz) | Emission Level (dBuV/m) | Read Level (dBuV) | Limit (dBuV/m) | Margin (dB) | Antenna Factor (dB/m) | Cable Loss (dB) | Preamp Factor (dB) | Antenna Height (cm) | Table Angle (Degree) | Remark |
| *5585.05 | 53.79 | 44.78 | 68.2 | -14.41 | 34.49 | 8.6 | 34.08 | 177 | 0 | Peak |
| 5657.5 | 52.96 | 43.87 | 73.75 | -20.79 | 34.56 | 8.63 | 34.1 | 177 | 0 | Peak |
| 5920.525 | 51.73 | 42.35 | 71.51 | -19.78 | 34.81 | 8.73 | 34.16 | 177 | 0 | Peak |
| *5980.9 | 53.65 | 44.19 | 68.2 | -14.55 | 34.88 | 8.75 | 34.17 | 177 | 0 | Peak |
| Antenna Polarity & Test Distance: Vertical at 3 m | | | | | | | | | | |
| Frequency (MHz) | Emission Level (dBuV/m) | Read Level (dBuV) | Limit (dBuV/m) | Margin (dB) | Antenna Factor (dB/m) | Cable Loss (dB) | Preamp Factor (dB) | Antenna Height (cm) | Table Angle (Degree) | Remark |
| *5607.625 | 53.85 | 44.82 | 68.2 | -14.35 | 34.5 | 8.61 | 34.08 | 237 | 60 | Peak |
| 5656.45 | 52.83 | 43.74 | 72.97 | -20.14 | 34.56 | 8.63 | 34.1 | 237 | 60 | Peak |
| 5921.05 | 52.06 | 42.68 | 71.12 | -19.06 | 34.81 | 8.73 | 34.16 | 237 | 60 | Peak |
| *5965.675 | 53.58 | 44.13 | 68.2 | -14.62 | 34.87 | 8.75 | 34.17 | 237 | 60 | Peak |

Remarks:

- Emission Level = Read Level + Antenna Factor + Cable Loss - Preamp Factor
Margin value = Emission level – Limit value
- 5745 MHz: Fundamental Frequency
- *: Out of Restricted Band
- The emission levels of other frequencies were very low against the limit

| EUT Test Condition | | Measurement Detail | |
|--------------------------|--------------------|--------------------|---------------------------|
| Channel | Channel 157 | Frequency Range | 1 GHz ~ 40 GHz |
| Input Power | 120 Vac, 60 Hz | Detector Function | Peak (PK) Average (AV) |
| Environmental Conditions | 25 deg. C, 65 % RH | Tested By | Charles Hsiao |

<Spurious Emission>

| Antenna Polarity & Test Distance: Horizontal at 3 m | | | | | | | | | | |
|---|-------------------------|-------------------|----------------|-------------|-----------------------|-----------------|--------------------|---------------------|----------------------|---------|
| Frequency (MHz) | Emission Level (dBuV/m) | Read Level (dBuV) | Limit (dBuV/m) | Margin (dB) | Antenna Factor (dB/m) | Cable Loss (dB) | Preamp Factor (dB) | Antenna Height (cm) | Table Angle (Degree) | Remark |
| 5785 | 95.65 | 86.42 | | | 34.68 | 8.68 | 34.13 | 177 | 0 | Average |
| 5785 | 102.64 | 93.41 | | | 34.68 | 8.68 | 34.13 | 177 | 0 | Peak |
| 11570 | 47.26 | 31.95 | 54 | -6.74 | 38 | 12.68 | 35.37 | 124 | 255 | Average |
| 11570 | 57.66 | 42.35 | 74 | -16.34 | 38 | 12.68 | 35.37 | 124 | 255 | Peak |
| Antenna Polarity & Test Distance: Vertical at 3 m | | | | | | | | | | |
| Frequency (MHz) | Emission Level (dBuV/m) | Read Level (dBuV) | Limit (dBuV/m) | Margin (dB) | Antenna Factor (dB/m) | Cable Loss (dB) | Preamp Factor (dB) | Antenna Height (cm) | Table Angle (Degree) | Remark |
| 5785 | 98.58 | 89.35 | | | 34.68 | 8.68 | 34.13 | 237 | 60 | Average |
| 5785 | 105.15 | 95.92 | | | 34.68 | 8.68 | 34.13 | 237 | 60 | Peak |
| 11570 | 47.28 | 31.97 | 54 | -6.72 | 38 | 12.68 | 35.37 | 125 | 346 | Average |
| 11570 | 57.72 | 42.41 | 74 | -16.28 | 38 | 12.68 | 35.37 | 125 | 346 | Peak |

<Out of Band Emission (OOBE)>

| Antenna Polarity & Test Distance: Horizontal at 3 m | | | | | | | | | | |
|---|-------------------------|-------------------|----------------|-------------|-----------------------|-----------------|--------------------|---------------------|----------------------|--------|
| Frequency (MHz) | Emission Level (dBuV/m) | Read Level (dBuV) | Limit (dBuV/m) | Margin (dB) | Antenna Factor (dB/m) | Cable Loss (dB) | Preamp Factor (dB) | Antenna Height (cm) | Table Angle (Degree) | Remark |
| *5641.75 | 54.28 | 45.21 | 68.2 | -13.92 | 34.54 | 8.62 | 34.09 | 177 | 0 | Peak |
| 5654.35 | 51.87 | 42.78 | 71.42 | -19.55 | 34.56 | 8.63 | 34.1 | 177 | 0 | Peak |
| 5920 | 51.81 | 42.43 | 71.9 | -20.09 | 34.81 | 8.73 | 34.16 | 177 | 0 | Peak |
| *5932.075 | 53.88 | 44.48 | 68.2 | -14.32 | 34.83 | 8.73 | 34.16 | 177 | 0 | Peak |
| Antenna Polarity & Test Distance: Vertical at 3 m | | | | | | | | | | |
| Frequency (MHz) | Emission Level (dBuV/m) | Read Level (dBuV) | Limit (dBuV/m) | Margin (dB) | Antenna Factor (dB/m) | Cable Loss (dB) | Preamp Factor (dB) | Antenna Height (cm) | Table Angle (Degree) | Remark |
| *5649.625 | 53.93 | 44.84 | 68.2 | -14.27 | 34.56 | 8.62 | 34.09 | 237 | 60 | Peak |
| 5659.6 | 52.81 | 43.72 | 75.3 | -22.49 | 34.56 | 8.63 | 34.1 | 237 | 60 | Peak |
| 5920.525 | 53.12 | 43.74 | 71.51 | -18.39 | 34.81 | 8.73 | 34.16 | 237 | 60 | Peak |
| *5987.2 | 54.77 | 45.31 | 68.2 | -13.43 | 34.88 | 8.75 | 34.17 | 237 | 60 | Peak |

Remarks:

- Emission Level = Read Level + Antenna Factor + Cable Loss - Preamp Factor
Margin value = Emission level – Limit value
- 5785 MHz: Fundamental Frequency
- *: Out of Restricted Band
- The emission levels of other frequencies were very low against the limit

| EUT Test Condition | | Measurement Detail | |
|--------------------------|--------------------|--------------------|---------------------------|
| Channel | Channel 165 | Frequency Range | 1 GHz ~ 40 GHz |
| Input Power | 120 Vac, 60 Hz | Detector Function | Peak (PK) Average (AV) |
| Environmental Conditions | 25 deg. C, 65 % RH | Tested By | Charles Hsiao |

<Spurious Emission>

| Antenna Polarity & Test Distance: Horizontal at 3 m | | | | | | | | | | |
|---|-------------------------|-------------------|----------------|-------------|-----------------------|-----------------|--------------------|---------------------|----------------------|---------|
| Frequency (MHz) | Emission Level (dBuV/m) | Read Level (dBuV) | Limit (dBuV/m) | Margin (dB) | Antenna Factor (dB/m) | Cable Loss (dB) | Preamp Factor (dB) | Antenna Height (cm) | Table Angle (Degree) | Remark |
| 5825 | 95.22 | 85.93 | | | 34.73 | 8.69 | 34.13 | 177 | 0 | Average |
| 5825 | 102.11 | 92.82 | | | 34.73 | 8.69 | 34.13 | 177 | 0 | Peak |
| 11650 | 47.22 | 31.69 | 54 | -6.78 | 38.09 | 12.8 | 35.36 | 124 | 133 | Average |
| 11650 | 57.09 | 41.56 | 74 | -16.91 | 38.09 | 12.8 | 35.36 | 124 | 133 | Peak |
| Antenna Polarity & Test Distance: Vertical at 3 m | | | | | | | | | | |
| Frequency (MHz) | Emission Level (dBuV/m) | Read Level (dBuV) | Limit (dBuV/m) | Margin (dB) | Antenna Factor (dB/m) | Cable Loss (dB) | Preamp Factor (dB) | Antenna Height (cm) | Table Angle (Degree) | Remark |
| 5825 | 98.77 | 89.48 | | | 34.73 | 8.69 | 34.13 | 237 | 60 | Average |
| 5825 | 105.05 | 95.76 | | | 34.73 | 8.69 | 34.13 | 237 | 60 | Peak |
| 11650 | 47 | 31.47 | 54 | -7 | 38.09 | 12.8 | 35.36 | 172 | 128 | Average |
| 11650 | 57 | 41.47 | 74 | -17 | 38.09 | 12.8 | 35.36 | 172 | 128 | Peak |

<Out of Band Emission (OOBE)>

| Antenna Polarity & Test Distance: Horizontal at 3 m | | | | | | | | | | |
|---|-------------------------|-------------------|----------------|-------------|-----------------------|-----------------|--------------------|---------------------|----------------------|--------|
| Frequency (MHz) | Emission Level (dBuV/m) | Read Level (dBuV) | Limit (dBuV/m) | Margin (dB) | Antenna Factor (dB/m) | Cable Loss (dB) | Preamp Factor (dB) | Antenna Height (cm) | Table Angle (Degree) | Remark |
| *5516.275 | 53.22 | 44.29 | 68.2 | -14.98 | 34.42 | 8.57 | 34.06 | 177 | 0 | Peak |
| 5653.825 | 54.46 | 45.37 | 71.03 | -16.57 | 34.56 | 8.63 | 34.1 | 177 | 0 | Peak |
| 5918.95 | 52.14 | 42.76 | 72.68 | -20.54 | 34.81 | 8.73 | 34.16 | 177 | 0 | Peak |
| *6022.375 | 54.28 | 44.77 | 68.2 | -13.92 | 34.92 | 8.77 | 34.18 | 177 | 0 | Peak |
| Antenna Polarity & Test Distance: Vertical at 3 m | | | | | | | | | | |
| Frequency (MHz) | Emission Level (dBuV/m) | Read Level (dBuV) | Limit (dBuV/m) | Margin (dB) | Antenna Factor (dB/m) | Cable Loss (dB) | Preamp Factor (dB) | Antenna Height (cm) | Table Angle (Degree) | Remark |
| *5609.2 | 54.02 | 44.99 | 68.2 | -14.18 | 34.5 | 8.61 | 34.08 | 237 | 60 | Peak |
| 5654.875 | 52.51 | 43.42 | 71.81 | -19.3 | 34.56 | 8.63 | 34.1 | 237 | 60 | Peak |
| 5922.625 | 52.85 | 43.45 | 69.96 | -17.11 | 34.83 | 8.73 | 34.16 | 237 | 60 | Peak |
| *6006.625 | 54.55 | 45.04 | 68.2 | -13.65 | 34.92 | 8.76 | 34.17 | 237 | 60 | Peak |

Remarks:

- Emission Level = Read Level + Antenna Factor + Cable Loss - Preamp Factor
Margin value = Emission level – Limit value
- 5825 MHz: Fundamental Frequency
- *: Out of Restricted Band
- The emission levels of other frequencies were very low against the limit

802.11n (HT40)

| EUT Test Condition | | Measurement Detail | |
|--------------------------|--------------------|--------------------|---------------------------|
| Channel | Channel 38 | Frequency Range | 1 GHz ~ 40 GHz |
| Input Power | 120 Vac, 60 Hz | Detector Function | Peak (PK) Average (AV) |
| Environmental Conditions | 25 deg. C, 65 % RH | Tested By | Charles Hsiao |

Antenna Polarity & Test Distance: Horizontal at 3 m

| Frequency (MHz) | Emission Level (dBuV/m) | Read Level (dBuV) | Limit (dBuV/m) | Margin (dB) | Antenna Factor (dB/m) | Cable Loss (dB) | Preamp Factor (dB) | Antenna Height (cm) | Table Angle (Degree) | Remark |
|-----------------|-------------------------|-------------------|----------------|-------------|-----------------------|-----------------|--------------------|---------------------|----------------------|---------|
| 5149.25 | 52.67 | 44.42 | 54 | -1.33 | 34.12 | 8.13 | 34 | 202 | 354 | Average |
| 5149.25 | 60.16 | 51.91 | 74 | -13.84 | 34.12 | 8.13 | 34 | 202 | 354 | Peak |
| 5190 | 97.95 | 89.61 | | | 34.15 | 8.19 | 34 | 199 | 9 | Average |
| 5190 | 104.23 | 95.89 | | | 34.15 | 8.19 | 34 | 199 | 9 | Peak |
| 5434.81 | 43.26 | 34.47 | 54 | -10.74 | 34.35 | 8.48 | 34.04 | 199 | 9 | Average |
| 5434.81 | 54.04 | 45.25 | 74 | -19.96 | 34.35 | 8.48 | 34.04 | 199 | 9 | Peak |
| *10380 | 55.35 | 41 | 68.2 | -12.85 | 37.13 | 12.36 | 35.14 | 157 | 25 | Peak |

Antenna Polarity & Test Distance: Vertical at 3 m

| Frequency (MHz) | Emission Level (dBuV/m) | Read Level (dBuV) | Limit (dBuV/m) | Margin (dB) | Antenna Factor (dB/m) | Cable Loss (dB) | Preamp Factor (dB) | Antenna Height (cm) | Table Angle (Degree) | Remark |
|-----------------|-------------------------|-------------------|----------------|-------------|-----------------------|-----------------|--------------------|---------------------|----------------------|---------|
| 5150 | 47.19 | 38.94 | 54 | -6.81 | 34.12 | 8.13 | 34 | 200 | 145 | Average |
| 5150 | 55.73 | 47.48 | 74 | -18.27 | 34.12 | 8.13 | 34 | 200 | 145 | Peak |
| 5190 | 95.46 | 87.12 | | | 34.15 | 8.19 | 34 | 200 | 145 | Average |
| 5190 | 102.89 | 94.55 | | | 34.15 | 8.19 | 34 | 200 | 145 | Peak |
| 5371.45 | 42.63 | 33.96 | 54 | -11.37 | 34.29 | 8.41 | 34.03 | 200 | 145 | Average |
| 5371.45 | 53.35 | 44.68 | 74 | -20.65 | 34.29 | 8.41 | 34.03 | 200 | 145 | Peak |
| *10380 | 55.2 | 40.85 | 68.2 | -13 | 37.13 | 12.36 | 35.14 | 113 | 300 | Peak |

Remarks:

- Emission Level = Read Level + Antenna Factor + Cable Loss - Preamp Factor
Margin value = Emission level – Limit value
- 5190 MHz: Fundamental Frequency
- *: Out of Restricted Band
- The emission levels of other frequencies were very low against the limit

| EUT Test Condition | | Measurement Detail | |
|--------------------------|--------------------|--------------------|---------------------------|
| Channel | Channel 46 | Frequency Range | 1 GHz ~ 40 GHz |
| Input Power | 120 Vac, 60 Hz | Detector Function | Peak (PK) Average (AV) |
| Environmental Conditions | 25 deg. C, 65 % RH | Tested By | Charles Hsiao |

| Antenna Polarity & Test Distance: Horizontal at 3 m | | | | | | | | | | |
|---|-------------------------|-------------------|----------------|-------------|-----------------------|-----------------|--------------------|---------------------|----------------------|---------|
| Frequency (MHz) | Emission Level (dBuV/m) | Read Level (dBuV) | Limit (dBuV/m) | Margin (dB) | Antenna Factor (dB/m) | Cable Loss (dB) | Preamp Factor (dB) | Antenna Height (cm) | Table Angle (Degree) | Remark |
| 5148.95 | 52.34 | 44.09 | 54 | -1.66 | 34.12 | 8.13 | 34 | 199 | 9 | Average |
| 5148.95 | 59.64 | 51.39 | 74 | -14.36 | 34.12 | 8.13 | 34 | 199 | 9 | Peak |
| 5230 | 99.46 | 91.06 | | | 34.19 | 8.22 | 34.01 | 199 | 9 | Average |
| 5230 | 106.62 | 98.22 | | | 34.19 | 8.22 | 34.01 | 199 | 9 | Peak |
| 5351.54 | 45.17 | 36.54 | 54 | -8.83 | 34.28 | 8.38 | 34.03 | 199 | 9 | Average |
| 5351.54 | 55.24 | 46.61 | 74 | -18.76 | 34.28 | 8.38 | 34.03 | 199 | 9 | Peak |
| *10460 | 55.13 | 40.62 | 68.2 | -13.07 | 37.17 | 12.53 | 35.19 | 118 | 147 | Peak |
| Antenna Polarity & Test Distance: Vertical at 3 m | | | | | | | | | | |
| Frequency (MHz) | Emission Level (dBuV/m) | Read Level (dBuV) | Limit (dBuV/m) | Margin (dB) | Antenna Factor (dB/m) | Cable Loss (dB) | Preamp Factor (dB) | Antenna Height (cm) | Table Angle (Degree) | Remark |
| 5149.7 | 48.88 | 40.63 | 54 | -5.12 | 34.12 | 8.13 | 34 | 200 | 145 | Average |
| 5149.7 | 58.47 | 50.22 | 74 | -15.53 | 34.12 | 8.13 | 34 | 200 | 145 | Peak |
| 5230 | 97.77 | 89.37 | | | 34.19 | 8.22 | 34.01 | 200 | 145 | Average |
| 5230 | 104.95 | 96.55 | | | 34.19 | 8.22 | 34.01 | 200 | 145 | Peak |
| 5350.66 | 43.45 | 34.82 | 54 | -10.55 | 34.28 | 8.38 | 34.03 | 200 | 145 | Average |
| 5350.66 | 53.86 | 45.23 | 74 | -20.14 | 34.28 | 8.38 | 34.03 | 200 | 145 | Peak |
| *10460 | 55.59 | 41.08 | 68.2 | -12.61 | 37.17 | 12.53 | 35.19 | 103 | 344 | Peak |

Remarks:

- Emission Level = Read Level + Antenna Factor + Cable Loss - Preamp Factor
Margin value = Emission level – Limit value
- 5230 MHz: Fundamental Frequency
- *: Out of Restricted Band
- The emission levels of other frequencies were very low against the limit

| EUT Test Condition | | Measurement Detail | |
|--------------------------|--------------------|--------------------|---------------------------|
| Channel | Channel 54 | Frequency Range | 1 GHz ~ 40 GHz |
| Input Power | 120 Vac, 60 Hz | Detector Function | Peak (PK) Average (AV) |
| Environmental Conditions | 25 deg. C, 65 % RH | Tested By | Harry Hsueh |

| Antenna Polarity & Test Distance: Horizontal at 3 m | | | | | | | | | | |
|---|-------------------------|-------------------|----------------|-------------|-----------------------|-----------------|--------------------|---------------------|----------------------|---------|
| Frequency (MHz) | Emission Level (dBuV/m) | Read Level (dBuV) | Limit (dBuV/m) | Margin (dB) | Antenna Factor (dB/m) | Cable Loss (dB) | Preamp Factor (dB) | Antenna Height (cm) | Table Angle (Degree) | Remark |
| 5126.15 | 43.21 | 34.99 | 54 | -10.79 | 34.11 | 8.1 | 33.99 | 237 | 360 | Average |
| 5126.15 | 53.26 | 45.04 | 74 | -20.74 | 34.11 | 8.1 | 33.99 | 237 | 360 | Peak |
| 5270 | 99.36 | 90.87 | | | 34.21 | 8.29 | 34.01 | 237 | 360 | Average |
| 5270 | 106.19 | 97.7 | | | 34.21 | 8.29 | 34.01 | 237 | 360 | Peak |
| 5350 | 48.38 | 39.75 | 54 | -5.62 | 34.28 | 8.38 | 34.03 | 237 | 360 | Average |
| 5350 | 59.72 | 51.09 | 74 | -14.28 | 34.28 | 8.38 | 34.03 | 237 | 360 | Peak |
| *10540 | 55.49 | 40.87 | 68.2 | -12.71 | 37.23 | 12.63 | 35.24 | 124 | 155 | Peak |

| Antenna Polarity & Test Distance: Vertical at 3 m | | | | | | | | | | |
|---|-------------------------|-------------------|----------------|-------------|-----------------------|-----------------|--------------------|---------------------|----------------------|---------|
| Frequency (MHz) | Emission Level (dBuV/m) | Read Level (dBuV) | Limit (dBuV/m) | Margin (dB) | Antenna Factor (dB/m) | Cable Loss (dB) | Preamp Factor (dB) | Antenna Height (cm) | Table Angle (Degree) | Remark |
| 5139.2 | 43.19 | 34.94 | 54 | -10.81 | 34.11 | 8.13 | 33.99 | 199 | 276 | Average |
| 5139.2 | 53.46 | 45.21 | 74 | -20.54 | 34.11 | 8.13 | 33.99 | 199 | 276 | Peak |
| 5270 | 97.02 | 88.53 | | | 34.21 | 8.29 | 34.01 | 199 | 276 | Average |
| 5270 | 104.67 | 96.18 | | | 34.21 | 8.29 | 34.01 | 199 | 276 | Peak |
| 5350 | 46.84 | 38.21 | 54 | -7.16 | 34.28 | 8.38 | 34.03 | 199 | 276 | Average |
| 5350 | 57.64 | 49.01 | 74 | -16.36 | 34.28 | 8.38 | 34.03 | 199 | 276 | Peak |
| *10540 | 55.64 | 41.02 | 68.2 | -12.56 | 37.23 | 12.63 | 35.24 | 126 | 266 | Peak |

Remarks:

- Emission Level = Read Level + Antenna Factor + Cable Loss - Preamp Factor
Margin value = Emission level – Limit value
- 5270 MHz: Fundamental Frequency
- *: Out of Restricted Band
- The emission levels of other frequencies were very low against the limit

| EUT Test Condition | | Measurement Detail | |
|--------------------------|--------------------|--------------------|---------------------------|
| Channel | Channel 62 | Frequency Range | 1 GHz ~ 40 GHz |
| Input Power | 120 Vac, 60 Hz | Detector Function | Peak (PK) Average (AV) |
| Environmental Conditions | 25 deg. C, 65 % RH | Tested By | Harry Hsueh |

| Antenna Polarity & Test Distance: Horizontal at 3 m | | | | | | | | | | |
|---|-------------------------|-------------------|----------------|-------------|-----------------------|-----------------|--------------------|---------------------|----------------------|---------|
| Frequency (MHz) | Emission Level (dBuV/m) | Read Level (dBuV) | Limit (dBuV/m) | Margin (dB) | Antenna Factor (dB/m) | Cable Loss (dB) | Preamp Factor (dB) | Antenna Height (cm) | Table Angle (Degree) | Remark |
| 5145.35 | 42.87 | 34.62 | 54 | -11.13 | 34.12 | 8.13 | 34 | 237 | 360 | Average |
| 5145.35 | 52.92 | 44.67 | 74 | -21.08 | 34.12 | 8.13 | 34 | 237 | 360 | Peak |
| 5310 | 96.1 | 87.55 | | | 34.25 | 8.32 | 34.02 | 237 | 360 | Average |
| 5310 | 104.55 | 96 | | | 34.25 | 8.32 | 34.02 | 237 | 360 | Peak |
| 5350.55 | 46.09 | 37.46 | 54 | -7.91 | 34.28 | 8.38 | 34.03 | 237 | 360 | Average |
| 5350.55 | 55.97 | 47.34 | 74 | -18.03 | 34.28 | 8.38 | 34.03 | 237 | 360 | Peak |
| 10620 | 46.96 | 32.25 | 54 | -7.04 | 37.3 | 12.69 | 35.28 | 124 | 44 | Average |
| 10620 | 56.09 | 41.38 | 74 | -17.91 | 37.3 | 12.69 | 35.28 | 124 | 44 | Peak |
| Antenna Polarity & Test Distance: Vertical at 3 m | | | | | | | | | | |
| Frequency (MHz) | Emission Level (dBuV/m) | Read Level (dBuV) | Limit (dBuV/m) | Margin (dB) | Antenna Factor (dB/m) | Cable Loss (dB) | Preamp Factor (dB) | Antenna Height (cm) | Table Angle (Degree) | Remark |
| 5127.5 | 42.75 | 34.53 | 54 | -11.25 | 34.11 | 8.1 | 33.99 | 199 | 276 | Average |
| 5127.5 | 53.03 | 44.81 | 74 | -20.97 | 34.11 | 8.1 | 33.99 | 199 | 276 | Peak |
| 5310 | 93.69 | 85.14 | | | 34.25 | 8.32 | 34.02 | 199 | 276 | Average |
| 5310 | 100.67 | 92.12 | | | 34.25 | 8.32 | 34.02 | 199 | 276 | Peak |
| 5351.65 | 45.18 | 36.55 | 54 | -8.82 | 34.28 | 8.38 | 34.03 | 199 | 276 | Average |
| 5351.65 | 56.23 | 47.6 | 74 | -17.77 | 34.28 | 8.38 | 34.03 | 199 | 276 | Peak |
| 10620 | 47.45 | 32.74 | 54 | -6.55 | 37.3 | 12.69 | 35.28 | 155 | 157 | Average |
| 10620 | 55.05 | 40.34 | 74 | -18.95 | 37.3 | 12.69 | 35.28 | 155 | 157 | Peak |

Remarks:

- Emission Level = Read Level + Antenna Factor + Cable Loss - Preamp Factor
Margin value = Emission level – Limit value
- 5310 MHz: Fundamental Frequency
- *: Out of Restricted Band
- The emission levels of other frequencies were very low against the limit

| EUT Test Condition | | Measurement Detail | |
|--------------------------|--------------------|--------------------|---------------------------|
| Channel | Channel 102 | Frequency Range | 1 GHz ~ 40 GHz |
| Input Power | 120 Vac, 60 Hz | Detector Function | Peak (PK) Average (AV) |
| Environmental Conditions | 25 deg. C, 65 % RH | Tested By | Charles Hsiao |

| Antenna Polarity & Test Distance: Horizontal at 3 m | | | | | | | | | | |
|---|-------------------------|-------------------|----------------|-------------|-----------------------|-----------------|--------------------|---------------------|----------------------|---------|
| Frequency (MHz) | Emission Level (dBuV/m) | Read Level (dBuV) | Limit (dBuV/m) | Margin (dB) | Antenna Factor (dB/m) | Cable Loss (dB) | Preamp Factor (dB) | Antenna Height (cm) | Table Angle (Degree) | Remark |
| 5458.48 | 48.91 | 40.09 | 54 | -5.09 | 34.36 | 8.51 | 34.05 | 231 | 15 | Average |
| 5458.48 | 61.76 | 52.94 | 74 | -12.24 | 34.36 | 8.51 | 34.05 | 231 | 15 | Peak |
| *5469.36 | 60.39 | 51.56 | 68.2 | -7.81 | 34.37 | 8.51 | 34.05 | 231 | 15 | Peak |
| 5510 | 102.63 | 93.72 | | | 34.4 | 8.57 | 34.06 | 227 | 7 | Average |
| 5510 | 108.82 | 99.91 | | | 34.4 | 8.57 | 34.06 | 227 | 7 | Peak |
| *5725.32 | 54.04 | 44.88 | 68.2 | -14.16 | 34.62 | 8.65 | 34.11 | 227 | 7 | Peak |
| 11020 | 47.26 | 32.19 | 54 | -6.74 | 37.61 | 12.94 | 35.48 | 175 | 155 | Average |
| 11020 | 57.53 | 42.46 | 74 | -16.47 | 37.61 | 12.94 | 35.48 | 175 | 155 | Peak |

| Antenna Polarity & Test Distance: Vertical at 3 m | | | | | | | | | | |
|---|-------------------------|-------------------|----------------|-------------|-----------------------|-----------------|--------------------|---------------------|----------------------|---------|
| Frequency (MHz) | Emission Level (dBuV/m) | Read Level (dBuV) | Limit (dBuV/m) | Margin (dB) | Antenna Factor (dB/m) | Cable Loss (dB) | Preamp Factor (dB) | Antenna Height (cm) | Table Angle (Degree) | Remark |
| 5459.76 | 45.57 | 36.75 | 54 | -8.43 | 34.36 | 8.51 | 34.05 | 174 | 278 | Average |
| 5459.76 | 54.72 | 45.9 | 74 | -19.28 | 34.36 | 8.51 | 34.05 | 174 | 278 | Peak |
| *5470.32 | 54.95 | 46.12 | 68.2 | -13.25 | 34.37 | 8.51 | 34.05 | 174 | 278 | Peak |
| 5510 | 97.51 | 88.6 | | | 34.4 | 8.57 | 34.06 | 174 | 278 | Average |
| 5510 | 104.98 | 96.07 | | | 34.4 | 8.57 | 34.06 | 174 | 278 | Peak |
| *5724.12 | 53.74 | 44.58 | 68.2 | -14.46 | 34.62 | 8.65 | 34.11 | 174 | 278 | Peak |
| 11020 | 47.13 | 32.06 | 54 | -6.87 | 37.61 | 12.94 | 35.48 | 161 | 326 | Average |
| 11020 | 57.29 | 42.22 | 74 | -16.71 | 37.61 | 12.94 | 35.48 | 161 | 326 | Peak |

Remarks:

- Emission Level = Read Level + Antenna Factor + Cable Loss - Preamp Factor
Margin value = Emission level – Limit value
- 5510 MHz: Fundamental Frequency
- *: Out of Restricted Band
- The emission levels of other frequencies were very low against the limit

| EUT Test Condition | | Measurement Detail | |
|--------------------------|--------------------|--------------------|---------------------------|
| Channel | Channel 110 | Frequency Range | 1 GHz ~ 40 GHz |
| Input Power | 120 Vac, 60 Hz | Detector Function | Peak (PK) Average (AV) |
| Environmental Conditions | 25 deg. C, 65 % RH | Tested By | Charles Hsiao |

| Antenna Polarity & Test Distance: Horizontal at 3 m | | | | | | | | | | |
|---|-------------------------|-------------------|----------------|-------------|-----------------------|-----------------|--------------------|---------------------|----------------------|---------|
| Frequency (MHz) | Emission Level (dBuV/m) | Read Level (dBuV) | Limit (dBuV/m) | Margin (dB) | Antenna Factor (dB/m) | Cable Loss (dB) | Preamp Factor (dB) | Antenna Height (cm) | Table Angle (Degree) | Remark |
| 5456.08 | 43.16 | 34.34 | 54 | -10.84 | 34.36 | 8.51 | 34.05 | 226 | 7 | Average |
| 5456.08 | 54.71 | 45.89 | 74 | -19.29 | 34.36 | 8.51 | 34.05 | 226 | 7 | Peak |
| *5470.8 | 52.99 | 44.13 | 68.2 | -15.21 | 34.37 | 8.54 | 34.05 | 226 | 7 | Peak |
| 5550 | 105.95 | 96.98 | | | 34.45 | 8.59 | 34.07 | 226 | 7 | Average |
| 5550 | 112.6 | 103.63 | | | 34.45 | 8.59 | 34.07 | 226 | 7 | Peak |
| *5724.44 | 53.96 | 44.8 | 68.2 | -14.24 | 34.62 | 8.65 | 34.11 | 226 | 7 | Peak |
| 11100 | 46.65 | 31.56 | 54 | -7.35 | 37.66 | 12.89 | 35.46 | 166 | 24 | Average |
| 11100 | 57.3 | 42.21 | 74 | -16.7 | 37.66 | 12.89 | 35.46 | 166 | 24 | Peak |
| Antenna Polarity & Test Distance: Vertical at 3 m | | | | | | | | | | |
| Frequency (MHz) | Emission Level (dBuV/m) | Read Level (dBuV) | Limit (dBuV/m) | Margin (dB) | Antenna Factor (dB/m) | Cable Loss (dB) | Preamp Factor (dB) | Antenna Height (cm) | Table Angle (Degree) | Remark |
| 5459.92 | 42.77 | 33.95 | 54 | -11.23 | 34.36 | 8.51 | 34.05 | 174 | 278 | Average |
| 5459.92 | 53.17 | 44.35 | 74 | -20.83 | 34.36 | 8.51 | 34.05 | 174 | 278 | Peak |
| *5468.72 | 52.69 | 43.86 | 68.2 | -15.51 | 34.37 | 8.51 | 34.05 | 174 | 278 | Peak |
| 5550 | 101.98 | 93.01 | | | 34.45 | 8.59 | 34.07 | 174 | 278 | Average |
| 5550 | 109.84 | 100.87 | | | 34.45 | 8.59 | 34.07 | 174 | 278 | Peak |
| *5725.16 | 51.72 | 42.56 | 68.2 | -16.48 | 34.62 | 8.65 | 34.11 | 174 | 278 | Peak |
| 11100 | 46.78 | 31.69 | 54 | -7.22 | 37.66 | 12.89 | 35.46 | 147 | 7 | Average |
| 11100 | 56.79 | 41.7 | 74 | -17.21 | 37.66 | 12.89 | 35.46 | 147 | 7 | Peak |

Remarks:

- Emission Level = Read Level + Antenna Factor + Cable Loss - Preamp Factor
Margin value = Emission level – Limit value
- 5550 MHz: Fundamental Frequency
- *: Out of Restricted Band
- The emission levels of other frequencies were very low against the limit

| EUT Test Condition | | Measurement Detail | |
|--------------------------|--------------------|--------------------|---------------------------|
| Channel | Channel 134 | Frequency Range | 1 GHz ~ 40 GHz |
| Input Power | 120 Vac, 60 Hz | Detector Function | Peak (PK) Average (AV) |
| Environmental Conditions | 25 deg. C, 65 % RH | Tested By | Charles Hsiao |

Antenna Polarity & Test Distance: Horizontal at 3 m

| Frequency (MHz) | Emission Level (dBuV/m) | Read Level (dBuV) | Limit (dBuV/m) | Margin (dB) | Antenna Factor (dB/m) | Cable Loss (dB) | Preamp Factor (dB) | Antenna Height (cm) | Table Angle (Degree) | Remark |
|-----------------|-------------------------|-------------------|----------------|-------------|-----------------------|-----------------|--------------------|---------------------|----------------------|---------|
| 5451.76 | 42.88 | 34.06 | 54 | -11.12 | 34.36 | 8.51 | 34.05 | 236 | 7 | Average |
| 5451.76 | 53.29 | 44.47 | 74 | -20.71 | 34.36 | 8.51 | 34.05 | 236 | 7 | Peak |
| *5470 | 53.24 | 44.41 | 68.2 | -14.96 | 34.37 | 8.51 | 34.05 | 236 | 7 | Peak |
| 5670 | 100.06 | 90.96 | | | 34.57 | 8.63 | 34.1 | 236 | 7 | Average |
| 5670 | 108.42 | 99.32 | | | 34.57 | 8.63 | 34.1 | 236 | 7 | Peak |
| *5725.64 | 54.1 | 44.94 | 68.2 | -14.1 | 34.62 | 8.65 | 34.11 | 236 | 7 | Peak |
| 11340 | 47.5 | 32.41 | 54 | -6.5 | 37.8 | 12.71 | 35.42 | 185 | 5 | Average |
| 11340 | 58 | 42.91 | 74 | -16 | 37.8 | 12.71 | 35.42 | 185 | 5 | Peak |

Antenna Polarity & Test Distance: Vertical at 3 m

| Frequency (MHz) | Emission Level (dBuV/m) | Read Level (dBuV) | Limit (dBuV/m) | Margin (dB) | Antenna Factor (dB/m) | Cable Loss (dB) | Preamp Factor (dB) | Antenna Height (cm) | Table Angle (Degree) | Remark |
|-----------------|-------------------------|-------------------|----------------|-------------|-----------------------|-----------------|--------------------|---------------------|----------------------|---------|
| 5450.48 | 42.64 | 33.82 | 54 | -11.36 | 34.36 | 8.51 | 34.05 | 174 | 278 | Average |
| 5450.48 | 53.52 | 44.7 | 74 | -20.48 | 34.36 | 8.51 | 34.05 | 174 | 278 | Peak |
| *5470.48 | 51.97 | 43.14 | 68.2 | -16.23 | 34.37 | 8.51 | 34.05 | 174 | 278 | Peak |
| 5670 | 97.7 | 88.6 | | | 34.57 | 8.63 | 34.1 | 174 | 278 | Average |
| 5670 | 105.53 | 96.43 | | | 34.57 | 8.63 | 34.1 | 174 | 278 | Peak |
| *5725.4 | 54.84 | 45.68 | 68.2 | -13.36 | 34.62 | 8.65 | 34.11 | 174 | 278 | Peak |
| 11340 | 47.25 | 32.16 | 54 | -6.75 | 37.8 | 12.71 | 35.42 | 124 | 210 | Average |
| 11340 | 59.21 | 44.12 | 74 | -14.79 | 37.8 | 12.71 | 35.42 | 124 | 210 | Peak |

Remarks:

- Emission Level = Read Level + Antenna Factor + Cable Loss - Preamp Factor
Margin value = Emission level – Limit value
- 5670 MHz: Fundamental Frequency
- *: Out of Restricted Band
- The emission levels of other frequencies were very low against the limit

| EUT Test Condition | | Measurement Detail | |
|--------------------------|--------------------|--------------------|---------------------------|
| Channel | Channel 142 | Frequency Range | 1 GHz ~ 40 GHz |
| Input Power | 120 Vac, 60 Hz | Detector Function | Peak (PK) Average (AV) |
| Environmental Conditions | 25 deg. C, 65 % RH | Tested By | Charles Hsiao |

| Antenna Polarity & Test Distance: Horizontal at 3 m | | | | | | | | | | |
|---|-------------------------|-------------------|----------------|-------------|-----------------------|-----------------|--------------------|---------------------|----------------------|---------|
| Frequency (MHz) | Emission Level (dBuV/m) | Read Level (dBuV) | Limit (dBuV/m) | Margin (dB) | Antenna Factor (dB/m) | Cable Loss (dB) | Preamp Factor (dB) | Antenna Height (cm) | Table Angle (Degree) | Remark |
| 5453.04 | 42.79 | 33.97 | 54 | -11.21 | 34.36 | 8.51 | 34.05 | 236 | 7 | Average |
| 5453.04 | 53.98 | 45.16 | 74 | -20.02 | 34.36 | 8.51 | 34.05 | 236 | 7 | Peak |
| *5469.52 | 52.88 | 44.05 | 68.2 | -15.32 | 34.37 | 8.51 | 34.05 | 236 | 7 | Peak |
| 5710 | 101.8 | 92.65 | | | 34.61 | 8.65 | 34.11 | 236 | 7 | Average |
| 5710 | 109.63 | 100.48 | | | 34.61 | 8.65 | 34.11 | 236 | 7 | Peak |
| 11420 | 47.09 | 31.99 | 54 | -6.91 | 37.85 | 12.65 | 35.4 | 174 | 4 | Average |
| 11420 | 57.11 | 42.01 | 74 | -16.89 | 37.85 | 12.65 | 35.4 | 174 | 4 | Peak |
| Antenna Polarity & Test Distance: Vertical at 3 m | | | | | | | | | | |
| Frequency (MHz) | Emission Level (dBuV/m) | Read Level (dBuV) | Limit (dBuV/m) | Margin (dB) | Antenna Factor (dB/m) | Cable Loss (dB) | Preamp Factor (dB) | Antenna Height (cm) | Table Angle (Degree) | Remark |
| 5445.04 | 42.6 | 33.78 | 54 | -11.4 | 34.35 | 8.51 | 34.04 | 174 | 278 | Average |
| 5445.04 | 53.46 | 44.64 | 74 | -20.54 | 34.35 | 8.51 | 34.04 | 174 | 278 | Peak |
| *5470.8 | 52.46 | 43.6 | 68.2 | -15.74 | 34.37 | 8.54 | 34.05 | 174 | 278 | Peak |
| 5710 | 98.41 | 89.26 | | | 34.61 | 8.65 | 34.11 | 174 | 278 | Average |
| 5710 | 106.28 | 97.13 | | | 34.61 | 8.65 | 34.11 | 174 | 278 | Peak |
| 11420 | 47.25 | 32.15 | 54 | -6.75 | 37.85 | 12.65 | 35.4 | 168 | 8 | Average |
| 11420 | 56.61 | 41.51 | 74 | -17.39 | 37.85 | 12.65 | 35.4 | 168 | 8 | Peak |

Remarks:

- Emission Level = Read Level + Antenna Factor + Cable Loss - Preamp Factor
Margin value = Emission level – Limit value
- 5710 MHz: Fundamental Frequency
- *: Out of Restricted Band
- The emission levels of other frequencies were very low against the limit

| EUT Test Condition | | Measurement Detail | |
|--------------------------|--------------------|--------------------|---------------------------|
| Channel | Channel 151 | Frequency Range | 1 GHz ~ 40 GHz |
| Input Power | 120 Vac, 60 Hz | Detector Function | Peak (PK) Average (AV) |
| Environmental Conditions | 25 deg. C, 65 % RH | Tested By | Charles Hsiao |

<Spurious Emission>

| Antenna Polarity & Test Distance: Horizontal at 3 m | | | | | | | | | | |
|---|-------------------------|-------------------|----------------|-------------|-----------------------|-----------------|--------------------|---------------------|----------------------|---------|
| Frequency (MHz) | Emission Level (dBuV/m) | Read Level (dBuV) | Limit (dBuV/m) | Margin (dB) | Antenna Factor (dB/m) | Cable Loss (dB) | Preamp Factor (dB) | Antenna Height (cm) | Table Angle (Degree) | Remark |
| 5755 | 92.65 | 83.44 | | | 34.66 | 8.66 | 34.11 | 177 | 0 | Average |
| 5755 | 99.93 | 90.72 | | | 34.66 | 8.66 | 34.11 | 177 | 0 | Peak |
| 11510 | 47 | 31.89 | 54 | -7 | 37.9 | 12.6 | 35.39 | 127 | 133 | Average |
| 11510 | 57.8 | 42.69 | 74 | -16.2 | 37.9 | 12.6 | 35.39 | 127 | 133 | Peak |
| Antenna Polarity & Test Distance: Vertical at 3 m | | | | | | | | | | |
| Frequency (MHz) | Emission Level (dBuV/m) | Read Level (dBuV) | Limit (dBuV/m) | Margin (dB) | Antenna Factor (dB/m) | Cable Loss (dB) | Preamp Factor (dB) | Antenna Height (cm) | Table Angle (Degree) | Remark |
| 5755 | 95.52 | 86.31 | | | 34.66 | 8.66 | 34.11 | 237 | 60 | Average |
| 5755 | 102.45 | 93.24 | | | 34.66 | 8.66 | 34.11 | 237 | 60 | Peak |
| 11510 | 46.96 | 31.85 | 54 | -7.04 | 37.9 | 12.6 | 35.39 | 138 | 225 | Average |
| 11510 | 57.17 | 42.06 | 74 | -16.83 | 37.9 | 12.6 | 35.39 | 138 | 225 | Peak |

<Out of Band Emission (OOBE)>

| Antenna Polarity & Test Distance: Horizontal at 3 m | | | | | | | | | | |
|---|-------------------------|-------------------|----------------|-------------|-----------------------|-----------------|--------------------|---------------------|----------------------|--------|
| Frequency (MHz) | Emission Level (dBuV/m) | Read Level (dBuV) | Limit (dBuV/m) | Margin (dB) | Antenna Factor (dB/m) | Cable Loss (dB) | Preamp Factor (dB) | Antenna Height (cm) | Table Angle (Degree) | Remark |
| *5619.7 | 53.05 | 44 | 68.2 | -15.15 | 34.52 | 8.61 | 34.08 | 177 | 0 | Peak |
| 5652.775 | 52.72 | 43.62 | 70.25 | -17.53 | 34.56 | 8.63 | 34.09 | 177 | 0 | Peak |
| 5922.625 | 52.63 | 43.23 | 69.96 | -17.33 | 34.83 | 8.73 | 34.16 | 177 | 0 | Peak |
| *5954.65 | 54.49 | 45.06 | 68.2 | -13.71 | 34.85 | 8.74 | 34.16 | 177 | 0 | Peak |
| Antenna Polarity & Test Distance: Vertical at 3 m | | | | | | | | | | |
| Frequency (MHz) | Emission Level (dBuV/m) | Read Level (dBuV) | Limit (dBuV/m) | Margin (dB) | Antenna Factor (dB/m) | Cable Loss (dB) | Preamp Factor (dB) | Antenna Height (cm) | Table Angle (Degree) | Remark |
| *5616.55 | 53.82 | 44.77 | 68.2 | -14.38 | 34.52 | 8.61 | 34.08 | 237 | 60 | Peak |
| 5655.4 | 52.9 | 43.81 | 72.2 | -19.3 | 34.56 | 8.63 | 34.1 | 237 | 60 | Peak |
| 5921.575 | 53.03 | 43.63 | 70.73 | -17.7 | 34.83 | 8.73 | 34.16 | 237 | 60 | Peak |
| *5926.825 | 53.55 | 44.15 | 68.2 | -14.65 | 34.83 | 8.73 | 34.16 | 237 | 60 | Peak |

Remarks:

- Emission Level = Read Level + Antenna Factor + Cable Loss - Preamp Factor
Margin value = Emission level – Limit value
- 5755 MHz: Fundamental Frequency
- *: Out of Restricted Band
- The emission levels of other frequencies were very low against the limit

| EUT Test Condition | | Measurement Detail | |
|--------------------------|--------------------|--------------------|---------------------------|
| Channel | Channel 159 | Frequency Range | 1 GHz ~ 40 GHz |
| Input Power | 120 Vac, 60 Hz | Detector Function | Peak (PK) Average (AV) |
| Environmental Conditions | 25 deg. C, 65 % RH | Tested By | Charles Hsiao |

<Spurious Emission>

| Antenna Polarity & Test Distance: Horizontal at 3 m | | | | | | | | | | |
|---|-------------------------|-------------------|----------------|-------------|-----------------------|-----------------|--------------------|---------------------|----------------------|---------|
| Frequency (MHz) | Emission Level (dBuV/m) | Read Level (dBuV) | Limit (dBuV/m) | Margin (dB) | Antenna Factor (dB/m) | Cable Loss (dB) | Preamp Factor (dB) | Antenna Height (cm) | Table Angle (Degree) | Remark |
| 5795 | 93.55 | 84.31 | | | 34.69 | 8.68 | 34.13 | 177 | 0 | Average |
| 5795 | 100.43 | 91.19 | | | 34.69 | 8.68 | 34.13 | 177 | 0 | Peak |
| 11590 | 47.42 | 32.05 | 54 | -6.58 | 38.02 | 12.72 | 35.37 | 185 | 247 | Average |
| 11590 | 57.08 | 41.71 | 74 | -16.92 | 38.02 | 12.72 | 35.37 | 185 | 247 | Peak |
| Antenna Polarity & Test Distance: Vertical at 3 m | | | | | | | | | | |
| Frequency (MHz) | Emission Level (dBuV/m) | Read Level (dBuV) | Limit (dBuV/m) | Margin (dB) | Antenna Factor (dB/m) | Cable Loss (dB) | Preamp Factor (dB) | Antenna Height (cm) | Table Angle (Degree) | Remark |
| 5795 | 96.61 | 87.37 | | | 34.69 | 8.68 | 34.13 | 237 | 60 | Average |
| 5795 | 103.37 | 94.13 | | | 34.69 | 8.68 | 34.13 | 237 | 60 | Peak |
| 11590 | 47.3 | 31.93 | 54 | -6.7 | 38.02 | 12.72 | 35.37 | 124 | 206 | Average |
| 11590 | 56.78 | 41.41 | 74 | -17.22 | 38.02 | 12.72 | 35.37 | 124 | 206 | Peak |

<Out of Band Emission (OOBE)>

| Antenna Polarity & Test Distance: Horizontal at 3 m | | | | | | | | | | |
|---|-------------------------|-------------------|----------------|-------------|-----------------------|-----------------|--------------------|---------------------|----------------------|--------|
| Frequency (MHz) | Emission Level (dBuV/m) | Read Level (dBuV) | Limit (dBuV/m) | Margin (dB) | Antenna Factor (dB/m) | Cable Loss (dB) | Preamp Factor (dB) | Antenna Height (cm) | Table Angle (Degree) | Remark |
| *5586.1 | 53.97 | 44.96 | 68.2 | -14.23 | 34.49 | 8.6 | 34.08 | 177 | 0 | Peak |
| 5654.875 | 53.78 | 44.69 | 71.81 | -18.03 | 34.56 | 8.63 | 34.1 | 177 | 0 | Peak |
| 5921.575 | 51.23 | 41.83 | 70.73 | -19.5 | 34.83 | 8.73 | 34.16 | 177 | 0 | Peak |
| *5999.275 | 53.63 | 44.14 | 68.2 | -14.57 | 34.9 | 8.76 | 34.17 | 177 | 0 | Peak |
| Antenna Polarity & Test Distance: Vertical at 3 m | | | | | | | | | | |
| Frequency (MHz) | Emission Level (dBuV/m) | Read Level (dBuV) | Limit (dBuV/m) | Margin (dB) | Antenna Factor (dB/m) | Cable Loss (dB) | Preamp Factor (dB) | Antenna Height (cm) | Table Angle (Degree) | Remark |
| *5587.15 | 53.88 | 44.87 | 68.2 | -14.32 | 34.49 | 8.6 | 34.08 | 237 | 60 | Peak |
| 5655.925 | 53.18 | 44.09 | 72.58 | -19.4 | 34.56 | 8.63 | 34.1 | 237 | 60 | Peak |
| 5921.05 | 51.43 | 42.05 | 71.12 | -19.69 | 34.81 | 8.73 | 34.16 | 237 | 60 | Peak |
| *5973.55 | 53.15 | 43.69 | 68.2 | -15.05 | 34.88 | 8.75 | 34.17 | 237 | 60 | Peak |

Remarks:

- Emission Level = Read Level + Antenna Factor + Cable Loss - Preamp Factor
Margin value = Emission level – Limit value
- 5795 MHz: Fundamental Frequency
- *: Out of Restricted Band
- The emission levels of other frequencies were very low against the limit

802.11ac (VHT80)

| EUT Test Condition | | Measurement Detail | |
|--------------------------|--------------------|--------------------|---------------------------|
| Channel | Channel 42 | Frequency Range | 1 GHz ~ 40 GHz |
| Input Power | 120 Vac, 60 Hz | Detector Function | Peak (PK) Average (AV) |
| Environmental Conditions | 25 deg. C, 65 % RH | Tested By | Charles Hsiao |

Antenna Polarity & Test Distance: Horizontal at 3 m

| Frequency (MHz) | Emission Level (dBuV/m) | Read Level (dBuV) | Limit (dBuV/m) | Margin (dB) | Antenna Factor (dB/m) | Cable Loss (dB) | Preamp Factor (dB) | Antenna Height (cm) | Table Angle (Degree) | Remark |
|-----------------|-------------------------|-------------------|----------------|-------------|-----------------------|-----------------|--------------------|---------------------|----------------------|---------|
| 5148.95 | 45.99 | 37.74 | 54 | -8.01 | 34.12 | 8.13 | 34 | 199 | 6 | Peak |
| 5148.95 | 55.68 | 47.43 | 74 | -18.32 | 34.12 | 8.13 | 34 | 199 | 6 | Peak |
| 5210 | 91.93 | 83.57 | | | 34.17 | 8.19 | 34 | 199 | 6 | Average |
| 5210 | 99.07 | 90.71 | | | 34.17 | 8.19 | 34 | 199 | 6 | Peak |
| 5389.6 | 43.86 | 35.18 | 54 | -10.14 | 34.31 | 8.41 | 34.04 | 199 | 6 | Average |
| 5389.6 | 53.58 | 44.9 | 74 | -20.42 | 34.31 | 8.41 | 34.04 | 199 | 6 | Peak |
| *10420 | 55.64 | 41.23 | 68.2 | -12.56 | 37.15 | 12.42 | 35.16 | 134 | 22 | Peak |

Antenna Polarity & Test Distance: Vertical at 3 m

| Frequency (MHz) | Emission Level (dBuV/m) | Read Level (dBuV) | Limit (dBuV/m) | Margin (dB) | Antenna Factor (dB/m) | Cable Loss (dB) | Preamp Factor (dB) | Antenna Height (cm) | Table Angle (Degree) | Remark |
|-----------------|-------------------------|-------------------|----------------|-------------|-----------------------|-----------------|--------------------|---------------------|----------------------|---------|
| 5148.35 | 44.44 | 36.19 | 54 | -9.56 | 34.12 | 8.13 | 34 | 200 | 145 | Average |
| 5148.35 | 53.84 | 45.59 | 74 | -20.16 | 34.12 | 8.13 | 34 | 200 | 145 | Peak |
| 5210 | 88.89 | 80.53 | | | 34.17 | 8.19 | 34 | 200 | 145 | Average |
| 5210 | 96.25 | 87.89 | | | 34.17 | 8.19 | 34 | 200 | 145 | Peak |
| 5431.84 | 43.53 | 34.74 | 54 | -10.47 | 34.35 | 8.48 | 34.04 | 200 | 145 | Average |
| 5431.84 | 53.09 | 44.3 | 74 | -20.91 | 34.35 | 8.48 | 34.04 | 200 | 145 | Peak |
| *10420 | 54.82 | 40.41 | 68.2 | -13.38 | 37.15 | 12.42 | 35.16 | 177 | 115 | Peak |

Remarks:

- Emission Level = Read Level + Antenna Factor + Cable Loss - Preamp Factor
Margin value = Emission level – Limit value
- 5210 MHz: Fundamental Frequency
- *: Out of Restricted Band
- The emission levels of other frequencies were very low against the limit

| EUT Test Condition | | Measurement Detail | |
|--------------------------|--------------------|--------------------|---------------------------|
| Channel | Channel 58 | Frequency Range | 1 GHz ~ 40 GHz |
| Input Power | 120 Vac, 60 Hz | Detector Function | Peak (PK) Average (AV) |
| Environmental Conditions | 25 deg. C, 65 % RH | Tested By | Harry Hsueh |

| Antenna Polarity & Test Distance: Horizontal at 3 m | | | | | | | | | | |
|---|-------------------------|-------------------|----------------|-------------|-----------------------|-----------------|--------------------|---------------------|----------------------|---------|
| Frequency (MHz) | Emission Level (dBuV/m) | Read Level (dBuV) | Limit (dBuV/m) | Margin (dB) | Antenna Factor (dB/m) | Cable Loss (dB) | Preamp Factor (dB) | Antenna Height (cm) | Table Angle (Degree) | Remark |
| 5140.25 | 43.23 | 34.97 | 54 | -10.77 | 34.12 | 8.13 | 33.99 | 237 | 360 | Average |
| 5140.25 | 53.12 | 44.86 | 74 | -20.88 | 34.12 | 8.13 | 33.99 | 237 | 360 | Peak |
| 5290 | 94.68 | 86.15 | | | 34.23 | 8.32 | 34.02 | 237 | 360 | Average |
| 5290 | 102.62 | 94.09 | | | 34.23 | 8.32 | 34.02 | 237 | 360 | Peak |
| 5352.75 | 48.19 | 39.56 | 54 | -5.81 | 34.28 | 8.38 | 34.03 | 237 | 360 | Average |
| 5352.75 | 58.76 | 50.13 | 74 | -15.24 | 34.28 | 8.38 | 34.03 | 237 | 360 | Peak |
| *10580 | 56.32 | 41.67 | 68.2 | -11.88 | 37.27 | 12.65 | 35.27 | 161 | 79 | Peak |
| Antenna Polarity & Test Distance: Vertical at 3 m | | | | | | | | | | |
| Frequency (MHz) | Emission Level (dBuV/m) | Read Level (dBuV) | Limit (dBuV/m) | Margin (dB) | Antenna Factor (dB/m) | Cable Loss (dB) | Preamp Factor (dB) | Antenna Height (cm) | Table Angle (Degree) | Remark |
| 5147.9 | 43.25 | 35 | 54 | -10.75 | 34.12 | 8.13 | 34 | 199 | 276 | Average |
| 5147.9 | 53.06 | 44.81 | 74 | -20.94 | 34.12 | 8.13 | 34 | 199 | 276 | Peak |
| 5290 | 90.67 | 82.14 | | | 34.23 | 8.32 | 34.02 | 199 | 276 | Average |
| 5290 | 98.55 | 90.02 | | | 34.23 | 8.32 | 34.02 | 199 | 276 | Peak |
| 5366.17 | 45.96 | 37.32 | 54 | -8.04 | 34.29 | 8.38 | 34.03 | 199 | 276 | Average |
| 5366.17 | 56.01 | 47.37 | 74 | -17.99 | 34.29 | 8.38 | 34.03 | 199 | 276 | Peak |
| *10580 | 56.49 | 41.84 | 68.2 | -11.71 | 37.27 | 12.65 | 35.27 | 174 | 134 | Peak |

Remarks:

- Emission Level = Read Level + Antenna Factor + Cable Loss - Preamp Factor
Margin value = Emission level – Limit value
- 5290 MHz: Fundamental Frequency
- *: Out of Restricted Band
- The emission levels of other frequencies were very low against the limit

| EUT Test Condition | | Measurement Detail | |
|--------------------------|--------------------|--------------------|---------------------------|
| Channel | Channel 106 | Frequency Range | 1 GHz ~ 40 GHz |
| Input Power | 120 Vac, 60 Hz | Detector Function | Peak (PK) Average (AV) |
| Environmental Conditions | 25 deg. C, 65 % RH | Tested By | Charles Hsiao |

| Antenna Polarity & Test Distance: Horizontal at 3 m | | | | | | | | | | |
|---|-------------------------|-------------------|----------------|-------------|-----------------------|-----------------|--------------------|---------------------|----------------------|---------|
| Frequency (MHz) | Emission Level (dBuV/m) | Read Level (dBuV) | Limit (dBuV/m) | Margin (dB) | Antenna Factor (dB/m) | Cable Loss (dB) | Preamp Factor (dB) | Antenna Height (cm) | Table Angle (Degree) | Remark |
| 5456.56 | 46.09 | 37.27 | 54 | -7.91 | 34.36 | 8.51 | 34.05 | 227 | 10 | Average |
| 5456.56 | 55.59 | 46.77 | 74 | -18.41 | 34.36 | 8.51 | 34.05 | 227 | 10 | Peak |
| *5469.36 | 55.41 | 46.58 | 68.2 | -12.79 | 34.37 | 8.51 | 34.05 | 227 | 10 | Peak |
| 5530 | 99.26 | 90.33 | | | 34.42 | 8.58 | 34.07 | 227 | 7 | Average |
| 5530 | 107.11 | 98.18 | | | 34.42 | 8.58 | 34.07 | 227 | 7 | Peak |
| *5725.24 | 52.96 | 43.8 | 68.2 | -15.24 | 34.62 | 8.65 | 34.11 | 227 | 7 | Peak |
| 11060 | 46.66 | 31.58 | 54 | -7.34 | 37.64 | 12.91 | 35.47 | 164 | 190 | Average |
| 11060 | 57.47 | 42.39 | 74 | -16.53 | 37.64 | 12.91 | 35.47 | 164 | 190 | Peak |

| Antenna Polarity & Test Distance: Vertical at 3 m | | | | | | | | | | |
|---|-------------------------|-------------------|----------------|-------------|-----------------------|-----------------|--------------------|---------------------|----------------------|---------|
| Frequency (MHz) | Emission Level (dBuV/m) | Read Level (dBuV) | Limit (dBuV/m) | Margin (dB) | Antenna Factor (dB/m) | Cable Loss (dB) | Preamp Factor (dB) | Antenna Height (cm) | Table Angle (Degree) | Remark |
| 5459.92 | 43.94 | 35.12 | 54 | -10.06 | 34.36 | 8.51 | 34.05 | 174 | 278 | Average |
| 5459.92 | 54.23 | 45.41 | 74 | -19.77 | 34.36 | 8.51 | 34.05 | 174 | 278 | Peak |
| *5469.52 | 52.98 | 44.15 | 68.2 | -15.22 | 34.37 | 8.51 | 34.05 | 174 | 278 | Peak |
| 5530 | 95.97 | 87.04 | | | 34.42 | 8.58 | 34.07 | 174 | 278 | Average |
| 5530 | 104.38 | 95.45 | | | 34.42 | 8.58 | 34.07 | 174 | 278 | Peak |
| *5725.88 | 52.08 | 42.92 | 68.2 | -16.12 | 34.62 | 8.65 | 34.11 | 174 | 278 | Peak |
| 11060 | 47.24 | 32.16 | 54 | -6.76 | 37.64 | 12.91 | 35.47 | 164 | 77 | Average |
| 11060 | 56.42 | 41.34 | 74 | -17.58 | 37.64 | 12.91 | 35.47 | 164 | 77 | Peak |

Remarks:

- Emission Level = Read Level + Antenna Factor + Cable Loss - Preamp Factor
Margin value = Emission level – Limit value
- 5530 MHz: Fundamental Frequency
- *: Out of Restricted Band
- The emission levels of other frequencies were very low against the limit

| EUT Test Condition | | Measurement Detail | |
|--------------------------|--------------------|--------------------|---------------------------|
| Channel | Channel 122 | Frequency Range | 1 GHz ~ 40 GHz |
| Input Power | 120 Vac, 60 Hz | Detector Function | Peak (PK) Average (AV) |
| Environmental Conditions | 25 deg. C, 65 % RH | Tested By | Charles Hsiao |

| Antenna Polarity & Test Distance: Horizontal at 3 m | | | | | | | | | | |
|---|-------------------------|-------------------|----------------|-------------|-----------------------|-----------------|--------------------|---------------------|----------------------|---------|
| Frequency (MHz) | Emission Level (dBuV/m) | Read Level (dBuV) | Limit (dBuV/m) | Margin (dB) | Antenna Factor (dB/m) | Cable Loss (dB) | Preamp Factor (dB) | Antenna Height (cm) | Table Angle (Degree) | Remark |
| 5445.68 | 43.25 | 34.42 | 54 | -10.75 | 34.36 | 8.51 | 34.04 | 226 | 7 | Average |
| 5445.68 | 53.99 | 45.16 | 74 | -20.01 | 34.36 | 8.51 | 34.04 | 226 | 7 | Peak |
| *5469.52 | 53.3 | 44.47 | 68.2 | -14.9 | 34.37 | 8.51 | 34.05 | 226 | 7 | Peak |
| 5610 | 101.57 | 92.54 | | | 34.5 | 8.61 | 34.08 | 226 | 7 | Average |
| 5610 | 109.31 | 100.28 | | | 34.5 | 8.61 | 34.08 | 226 | 7 | Peak |
| *5725.32 | 53.29 | 44.13 | 68.2 | -14.91 | 34.62 | 8.65 | 34.11 | 226 | 7 | Peak |
| 11220 | 47.86 | 32.77 | 54 | -6.14 | 37.73 | 12.8 | 35.44 | 173 | 255 | Average |
| 11220 | 57.92 | 42.83 | 74 | -16.08 | 37.73 | 12.8 | 35.44 | 173 | 255 | Peak |

| Antenna Polarity & Test Distance: Vertical at 3 m | | | | | | | | | | |
|---|-------------------------|-------------------|----------------|-------------|-----------------------|-----------------|--------------------|---------------------|----------------------|---------|
| Frequency (MHz) | Emission Level (dBuV/m) | Read Level (dBuV) | Limit (dBuV/m) | Margin (dB) | Antenna Factor (dB/m) | Cable Loss (dB) | Preamp Factor (dB) | Antenna Height (cm) | Table Angle (Degree) | Remark |
| 5459.76 | 42.76 | 33.94 | 54 | -11.24 | 34.36 | 8.51 | 34.05 | 174 | 278 | Average |
| 5459.76 | 53.68 | 44.86 | 74 | -20.32 | 34.36 | 8.51 | 34.05 | 174 | 278 | Peak |
| *5470.16 | 51.94 | 43.11 | 68.2 | -16.26 | 34.37 | 8.51 | 34.05 | 174 | 278 | Peak |
| 5610 | 98.18 | 89.15 | | | 34.5 | 8.61 | 34.08 | 174 | 278 | Average |
| 5610 | 106.29 | 97.26 | | | 34.5 | 8.61 | 34.08 | 174 | 278 | Peak |
| *5724.6 | 52.78 | 43.62 | 68.2 | -15.42 | 34.62 | 8.65 | 34.11 | 174 | 278 | Peak |
| 11220 | 47.25 | 32.16 | 54 | -6.75 | 37.73 | 12.8 | 35.44 | 128 | 88 | Average |
| 11220 | 57.63 | 42.54 | 74 | -16.37 | 37.73 | 12.8 | 35.44 | 128 | 88 | Peak |

Remarks:

- Emission Level = Read Level + Antenna Factor + Cable Loss - Preamp Factor
Margin value = Emission level – Limit value
- 5610 MHz: Fundamental Frequency
- *: Out of Restricted Band
- The emission levels of other frequencies were very low against the limit

| EUT Test Condition | | Measurement Detail | |
|--------------------------|--------------------|--------------------|---------------------------|
| Channel | Channel 138 | Frequency Range | 1 GHz ~ 40 GHz |
| Input Power | 120 Vac, 60 Hz | Detector Function | Peak (PK) Average (AV) |
| Environmental Conditions | 25 deg. C, 65 % RH | Tested By | Charles Hsiao |

| Antenna Polarity & Test Distance: Horizontal at 3 m | | | | | | | | | | |
|---|-------------------------|-------------------|----------------|-------------|-----------------------|-----------------|--------------------|---------------------|----------------------|---------|
| Frequency (MHz) | Emission Level (dBuV/m) | Read Level (dBuV) | Limit (dBuV/m) | Margin (dB) | Antenna Factor (dB/m) | Cable Loss (dB) | Preamp Factor (dB) | Antenna Height (cm) | Table Angle (Degree) | Remark |
| 5446.48 | 43.03 | 34.2 | 54 | -10.97 | 34.36 | 8.51 | 34.04 | 236 | 7 | Average |
| 5446.48 | 53.96 | 45.13 | 74 | -20.04 | 34.36 | 8.51 | 34.04 | 236 | 7 | Peak |
| *5468.72 | 52.98 | 44.15 | 68.2 | -15.22 | 34.37 | 8.51 | 34.05 | 236 | 7 | Peak |
| 5690 | 100.66 | 91.53 | | | 34.59 | 8.64 | 34.1 | 236 | 7 | Average |
| 5690 | 108.55 | 99.42 | | | 34.59 | 8.64 | 34.1 | 236 | 7 | Peak |
| 11380 | 47.75 | 32.64 | 54 | -6.25 | 37.83 | 12.69 | 35.41 | 178 | 55 | Average |
| 11380 | 58.3 | 43.19 | 74 | -15.7 | 37.83 | 12.69 | 35.41 | 178 | 55 | Peak |
| Antenna Polarity & Test Distance: Vertical at 3 m | | | | | | | | | | |
| Frequency (MHz) | Emission Level (dBuV/m) | Read Level (dBuV) | Limit (dBuV/m) | Margin (dB) | Antenna Factor (dB/m) | Cable Loss (dB) | Preamp Factor (dB) | Antenna Height (cm) | Table Angle (Degree) | Remark |
| 5454.64 | 42.58 | 33.76 | 54 | -11.42 | 34.36 | 8.51 | 34.05 | 174 | 278 | Average |
| 5454.64 | 53.11 | 44.29 | 74 | -20.89 | 34.36 | 8.51 | 34.05 | 174 | 278 | Peak |
| *5468.88 | 52.23 | 43.4 | 68.2 | -15.97 | 34.37 | 8.51 | 34.05 | 174 | 278 | Peak |
| 5690 | 96.88 | 87.75 | | | 34.59 | 8.64 | 34.1 | 174 | 278 | Average |
| 5690 | 105.46 | 96.33 | | | 34.59 | 8.64 | 34.1 | 174 | 278 | Peak |
| 11380 | 47.68 | 32.57 | 54 | -6.32 | 37.83 | 12.69 | 35.41 | 183 | 296 | Average |
| 11380 | 58 | 42.89 | 74 | -16 | 37.83 | 12.69 | 35.41 | 183 | 296 | Peak |

Remarks:

- Emission Level = Read Level + Antenna Factor + Cable Loss - Preamp Factor
Margin value = Emission level – Limit value
- 5690 MHz: Fundamental Frequency
- *: Out of Restricted Band
- The emission levels of other frequencies were very low against the limit

| EUT Test Condition | | Measurement Detail | |
|--------------------------|--------------------|--------------------|---------------------------|
| Channel | Channel 155 | Frequency Range | 1 GHz ~ 40 GHz |
| Input Power | 120 Vac, 60 Hz | Detector Function | Peak (PK) Average (AV) |
| Environmental Conditions | 25 deg. C, 65 % RH | Tested By | Charles Hsiao |

<Spurious Emission>

| Antenna Polarity & Test Distance: Horizontal at 3 m | | | | | | | | | | |
|---|-------------------------|-------------------|----------------|-------------|-----------------------|-----------------|--------------------|---------------------|----------------------|---------|
| Frequency (MHz) | Emission Level (dBuV/m) | Read Level (dBuV) | Limit (dBuV/m) | Margin (dB) | Antenna Factor (dB/m) | Cable Loss (dB) | Preamp Factor (dB) | Antenna Height (cm) | Table Angle (Degree) | Remark |
| 5775 | 89.52 | 80.29 | | | 34.68 | 8.67 | 34.12 | 177 | 0 | Average |
| 5775 | 96.29 | 87.06 | | | 34.68 | 8.67 | 34.12 | 177 | 0 | Peak |
| 11550 | 47.86 | 32.59 | 54 | -6.14 | 37.97 | 12.68 | 35.38 | 137 | 7 | Average |
| 11550 | 56.98 | 41.71 | 74 | -17.02 | 37.97 | 12.68 | 35.38 | 137 | 7 | Peak |
| Antenna Polarity & Test Distance: Vertical at 3 m | | | | | | | | | | |
| Frequency (MHz) | Emission Level (dBuV/m) | Read Level (dBuV) | Limit (dBuV/m) | Margin (dB) | Antenna Factor (dB/m) | Cable Loss (dB) | Preamp Factor (dB) | Antenna Height (cm) | Table Angle (Degree) | Remark |
| 5775 | 92.55 | 83.32 | | | 34.68 | 8.67 | 34.12 | 237 | 60 | Average |
| 5775 | 99.82 | 90.59 | | | 34.68 | 8.67 | 34.12 | 237 | 60 | Peak |
| 11550 | 47.85 | 32.58 | 54 | -6.15 | 37.97 | 12.68 | 35.38 | 126 | 254 | Average |
| 11550 | 56.37 | 41.1 | 74 | -17.63 | 37.97 | 12.68 | 35.38 | 126 | 254 | Peak |

<Out of Band Emission (OOBE)>

| Antenna Polarity & Test Distance: Horizontal at 3 m | | | | | | | | | | |
|---|-------------------------|-------------------|----------------|-------------|-----------------------|-----------------|--------------------|---------------------|----------------------|--------|
| Frequency (MHz) | Emission Level (dBuV/m) | Read Level (dBuV) | Limit (dBuV/m) | Margin (dB) | Antenna Factor (dB/m) | Cable Loss (dB) | Preamp Factor (dB) | Antenna Height (cm) | Table Angle (Degree) | Remark |
| *5617.075 | 53.52 | 44.47 | 68.2 | -14.68 | 34.52 | 8.61 | 34.08 | 177 | 0 | Peak |
| 5652.25 | 51.63 | 42.54 | 69.86 | -18.23 | 34.56 | 8.62 | 34.09 | 177 | 0 | Peak |
| 5922.625 | 52.42 | 43.02 | 69.96 | -17.54 | 34.83 | 8.73 | 34.16 | 177 | 0 | Peak |
| *5980.9 | 54.08 | 44.62 | 68.2 | -14.12 | 34.88 | 8.75 | 34.17 | 177 | 0 | Peak |
| Antenna Polarity & Test Distance: Vertical at 3 m | | | | | | | | | | |
| Frequency (MHz) | Emission Level (dBuV/m) | Read Level (dBuV) | Limit (dBuV/m) | Margin (dB) | Antenna Factor (dB/m) | Cable Loss (dB) | Preamp Factor (dB) | Antenna Height (cm) | Table Angle (Degree) | Remark |
| *5551.45 | 53.45 | 44.48 | 68.2 | -14.75 | 34.45 | 8.59 | 34.07 | 237 | 60 | Peak |
| 5654.875 | 53.65 | 44.56 | 71.81 | -18.16 | 34.56 | 8.63 | 34.1 | 237 | 60 | Peak |
| 5918.425 | 52.01 | 42.63 | 73.07 | -21.06 | 34.81 | 8.73 | 34.16 | 237 | 60 | Peak |
| *5961.475 | 52.85 | 43.41 | 68.2 | -15.35 | 34.87 | 8.74 | 34.17 | 237 | 60 | Peak |

Remarks:

- Emission Level = Read Level + Antenna Factor + Cable Loss - Preamp Factor
Margin value = Emission level – Limit value
- 5775 MHz: Fundamental Frequency
- *: Out of Restricted Band
- The emission levels of other frequencies were very low against the limit

802.11ac (VHT160)

| EUT Test Condition | | Measurement Detail | |
|--------------------------|--------------------|--------------------|---------------------------|
| Channel | Channel 50 | Frequency Range | 1 GHz ~ 40 GHz |
| Input Power | 120 Vac, 60 Hz | Detector Function | Peak (PK) Average (AV) |
| Environmental Conditions | 25 deg. C, 65 % RH | Tested By | Charles Hsiao |

Antenna Polarity & Test Distance: Horizontal at 3 m

| Frequency (MHz) | Emission Level (dBuV/m) | Read Level (dBuV) | Limit (dBuV/m) | Margin (dB) | Antenna Factor (dB/m) | Cable Loss (dB) | Preamp Factor (dB) | Antenna Height (cm) | Table Angle (Degree) | Remark |
|-----------------|-------------------------|-------------------|----------------|-------------|-----------------------|-----------------|--------------------|---------------------|----------------------|---------|
| 5143.69 | 47.26 | 39 | 54 | -6.74 | 34.12 | 8.13 | 33.99 | 203 | 11 | Average |
| 5143.69 | 55.57 | 47.31 | 74 | -18.43 | 34.12 | 8.13 | 33.99 | 203 | 11 | Peak |
| 5250 | 86.06 | 77.61 | | | 34.2 | 8.26 | 34.01 | 203 | 6 | Average |
| 5250 | 93.52 | 85.07 | | | 34.2 | 8.26 | 34.01 | 203 | 6 | Peak |
| 5392 | 46.32 | 37.64 | 54 | -7.68 | 34.31 | 8.41 | 34.04 | 199 | 6 | Average |
| 5392 | 55.39 | 46.71 | 74 | -18.61 | 34.31 | 8.41 | 34.04 | 199 | 6 | Peak |
| *10500 | 52.06 | 37.5 | 68.2 | -16.14 | 37.2 | 12.59 | 35.23 | 127 | 69 | Peak |

Antenna Polarity & Test Distance: Vertical at 3 m

| Frequency (MHz) | Emission Level (dBuV/m) | Read Level (dBuV) | Limit (dBuV/m) | Margin (dB) | Antenna Factor (dB/m) | Cable Loss (dB) | Preamp Factor (dB) | Antenna Height (cm) | Table Angle (Degree) | Remark |
|-----------------|-------------------------|-------------------|----------------|-------------|-----------------------|-----------------|--------------------|---------------------|----------------------|---------|
| 5127.25 | 45.43 | 37.21 | 54 | -8.57 | 34.11 | 8.1 | 33.99 | 200 | 141 | Average |
| 5127.25 | 53.33 | 45.11 | 74 | -20.67 | 34.11 | 8.1 | 33.99 | 200 | 141 | Peak |
| 5250 | 82.74 | 74.29 | | | 34.2 | 8.26 | 34.01 | 200 | 141 | Average |
| 5250 | 90.61 | 82.16 | | | 34.2 | 8.26 | 34.01 | 200 | 141 | Peak |
| 5381.45 | 44.37 | 35.69 | 54 | -9.63 | 34.31 | 8.41 | 34.04 | 200 | 141 | Average |
| 5381.45 | 53.27 | 44.59 | 74 | -20.73 | 34.31 | 8.41 | 34.04 | 200 | 141 | Peak |
| *10500 | 51.72 | 37.16 | 68.2 | -16.48 | 37.2 | 12.59 | 35.23 | 146 | 108 | Peak |

Remarks:

- Emission Level = Read Level + Antenna Factor + Cable Loss - Preamp Factor
Margin value = Emission level – Limit value
- 5250 MHz: Fundamental Frequency
- *: Out of Restricted Band
- The emission levels of other frequencies were very low against the limit

| EUT Test Condition | | Measurement Detail | |
|--------------------------|--------------------|--------------------|---------------------------|
| Channel | Channel 114 | Frequency Range | 1 GHz ~ 40 GHz |
| Input Power | 120 Vac, 60 Hz | Detector Function | Peak (PK) Average (AV) |
| Environmental Conditions | 25 deg. C, 65 % RH | Tested By | Charles Hsiao |

| Antenna Polarity & Test Distance: Horizontal at 3 m | | | | | | | | | | |
|---|-------------------------|-------------------|----------------|-------------|-----------------------|-----------------|--------------------|---------------------|----------------------|---------|
| Frequency (MHz) | Emission Level (dBuV/m) | Read Level (dBuV) | Limit (dBuV/m) | Margin (dB) | Antenna Factor (dB/m) | Cable Loss (dB) | Preamp Factor (dB) | Antenna Height (cm) | Table Angle (Degree) | Remark |
| 5412.29 | 44.29 | 35.56 | 54 | -9.71 | 34.33 | 8.44 | 34.04 | 223 | 9 | Average |
| 5412.29 | 54.15 | 45.42 | 74 | -19.85 | 34.33 | 8.44 | 34.04 | 223 | 9 | Peak |
| *5470.64 | 55.18 | 46.35 | 68.2 | -13.02 | 34.37 | 8.51 | 34.05 | 223 | 9 | Peak |
| 5570 | 92.24 | 83.25 | | | 34.47 | 8.59 | 34.07 | 223 | 9 | Average |
| 5570 | 99.16 | 90.17 | | | 34.47 | 8.59 | 34.07 | 223 | 9 | Peak |
| *5725.05 | 54.42 | 45.26 | 68.2 | -13.78 | 34.62 | 8.65 | 34.11 | 223 | 9 | Peak |
| 11140 | 46.39 | 31.31 | 54 | -7.61 | 37.68 | 12.85 | 35.45 | 129 | 217 | Average |
| 11140 | 55.53 | 40.45 | 74 | -18.47 | 37.68 | 12.85 | 35.45 | 129 | 217 | Peak |
| Antenna Polarity & Test Distance: Vertical at 3 m | | | | | | | | | | |
| Frequency (MHz) | Emission Level (dBuV/m) | Read Level (dBuV) | Limit (dBuV/m) | Margin (dB) | Antenna Factor (dB/m) | Cable Loss (dB) | Preamp Factor (dB) | Antenna Height (cm) | Table Angle (Degree) | Remark |
| 5372.35 | 45.36 | 36.69 | 54 | -8.64 | 34.29 | 8.41 | 34.03 | 174 | 278 | Average |
| 5372.35 | 53.89 | 45.22 | 74 | -20.11 | 34.29 | 8.41 | 34.03 | 174 | 278 | Peak |
| *5469.02 | 53.77 | 44.94 | 68.2 | -14.43 | 34.37 | 8.51 | 34.05 | 174 | 278 | Peak |
| 5570 | 89.06 | 80.07 | | | 34.47 | 8.59 | 34.07 | 174 | 278 | Average |
| 5570 | 96.15 | 87.16 | | | 34.47 | 8.59 | 34.07 | 174 | 278 | Peak |
| *5724.95 | 53.3 | 44.14 | 68.2 | -14.9 | 34.62 | 8.65 | 34.11 | 174 | 278 | Peak |
| 11140 | 46.31 | 31.23 | 54 | -7.69 | 37.68 | 12.85 | 35.45 | 158 | 43 | Average |
| 11140 | 55.86 | 40.78 | 74 | -18.14 | 37.68 | 12.85 | 35.45 | 158 | 43 | Peak |

Remarks:

- Emission Level = Read Level + Antenna Factor + Cable Loss - Preamp Factor
Margin value = Emission level – Limit value
- 5570 MHz: Fundamental Frequency
- *: Out of Restricted Band
- The emission levels of other frequencies were very low against the limit

9 kHz ~ 30 MHz Data:

The amplitude of spurious emissions attenuated more than 20 dB below the permissible value is not required to be report.

30 MHz ~ 1 GHz Worst-Case Data:

802.11n (HT20)

| EUT Test Condition | | Measurement Detail | |
|--------------------------|--------------------|--------------------|------------------------------|
| Channel | Channel 36 | Frequency Range | 30 MHz ~ 1 GHz |
| Input Power | 120 Vac, 60 Hz | Detector Function | Peak (PK) Quasi-peak (QP) |
| Environmental Conditions | 25 deg. C, 65 % RH | Tested By | Harry Hsueh |

| Antenna Polarity & Test Distance: Horizontal at 3 m | | | | | | | | | | |
|---|-------------------------|-------------------|----------------|-------------|-----------------------|-----------------|--------------------|---------------------|----------------------|--------|
| Frequency (MHz) | Emission Level (dBuV/m) | Read Level (dBuV) | Limit (dBuV/m) | Margin (dB) | Antenna Factor (dB/m) | Cable Loss (dB) | Preamp Factor (dB) | Antenna Height (cm) | Table Angle (Degree) | Remark |
| 100.2 | 24.41 | 43.11 | 43.5 | -19.09 | 12.28 | 1.28 | 32.26 | 124 | 100 | Peak |
| 203.34 | 17.71 | 37.23 | 43.5 | -25.79 | 11.11 | 1.65 | 32.28 | 134 | 322 | Peak |
| 236.82 | 26.02 | 44.34 | 46 | -19.98 | 11.98 | 1.85 | 32.15 | 180 | 119 | Peak |
| 384 | 14.93 | 30.1 | 46 | -31.07 | 14.67 | 2.34 | 32.18 | 124 | 1 | Peak |
| 673.8 | 19.01 | 29.24 | 46 | -26.99 | 18.84 | 3.05 | 32.12 | 158 | 230 | Peak |
| 841.8 | 21.86 | 29.4 | 46 | -24.14 | 20.92 | 3.38 | 31.84 | 121 | 221 | Peak |
| Antenna Polarity & Test Distance: Vertical at 3 m | | | | | | | | | | |
| Frequency (MHz) | Emission Level (dBuV/m) | Read Level (dBuV) | Limit (dBuV/m) | Margin (dB) | Antenna Factor (dB/m) | Cable Loss (dB) | Preamp Factor (dB) | Antenna Height (cm) | Table Angle (Degree) | Remark |
| 51.06 | 15.94 | 32.81 | 40 | -24.06 | 14.46 | 0.9 | 32.23 | 151 | 106 | Peak |
| 214.68 | 17.28 | 36.64 | 43.5 | -26.22 | 11.23 | 1.65 | 32.24 | 129 | 254 | Peak |
| 273.81 | 13.62 | 31.12 | 46 | -32.38 | 12.67 | 1.94 | 32.11 | 105 | 227 | Peak |
| 458.9 | 19.2 | 33.08 | 46 | -26.8 | 15.7 | 2.56 | 32.14 | 158 | 200 | Peak |
| 659.8 | 18.19 | 28.74 | 46 | -27.81 | 18.6 | 2.99 | 32.14 | 159 | 360 | Peak |
| 825 | 20.52 | 28.35 | 46 | -25.48 | 20.71 | 3.38 | 31.92 | 124 | 114 | Peak |

Remarks:

- Emission Level = Read Level + Antenna Factor + Cable Loss - Preamp Factor
Margin value = Emission level – Limit value
- The emission levels of other frequencies were very low against the limit

4.2 Conducted Emission Measurement

4.2.1 Limits of Conducted Emission Measurement

| Frequency (MHz) | Conducted Limit (dBuV) | |
|-----------------|------------------------|---------|
| | Quasi-Peak | Average |
| 0.15 - 0.5 | 66 - 56 | 56 - 46 |
| 0.50 - 5.0 | 56 | 46 |
| 5.0 - 30.0 | 60 | 50 |

- Note: 1. The lower limit shall apply at the transition frequencies.
 2. The limit decreases in line with the logarithm of the frequency in the range of 0.15 to 0.50 MHz.

4.2.2 Test Instruments

| Description & Manufacturer | Model No. | Serial No. | Date of Calibration | Due Date of Calibration |
|---|--------------------------|----------------|---------------------|-------------------------|
| Test Receiver ROHDE & SCHWARZ | ESCI | 100613 | Dec. 10, 2018 | Dec. 09, 2019 |
| RF signal cable (with 10dB PAD) Woken | 5D-FB | Cable-cond1-01 | Sep. 05, 2018 | Sep. 04, 2019 |
| LISN/AMN ROHDE & SCHWARZ (EUT) | ESH3-Z5 | 835239/001 | Mar. 06, 2018 | Mar. 05, 2019 |
| LISN/AMN ROHDE & SCHWARZ (Peripheral) | ESH3-Z5 | 100311 | Aug. 19, 2018 | Aug. 18, 2019 |
| Software ADT | BV ADT_Cond_ V7.3.7.4 | NA | NA | NA |

- Note: 1. The calibration interval of the above test instruments is 12 months and the calibrations are traceable to NML/ROC and NIST/USA.
 2. The test was performed in HwaYa Shielded Room 1.
 3. The VCCI Site Registration No. is C-2040.

4.2.3 Test Procedures

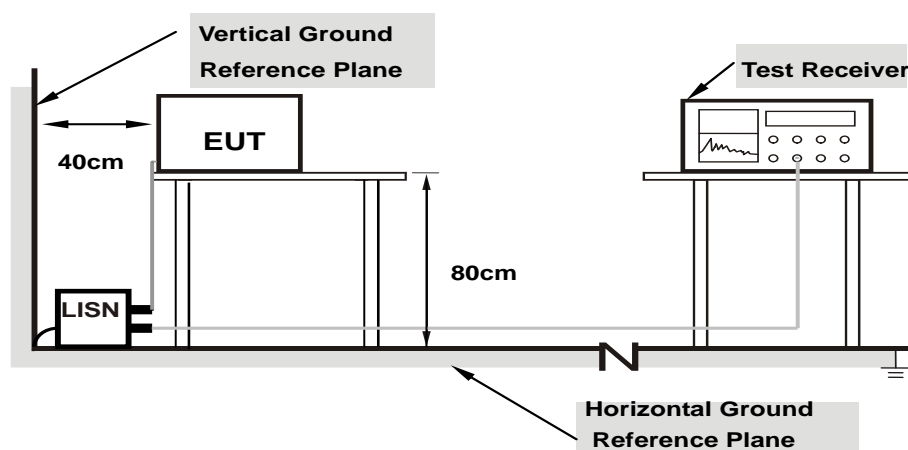
- a. The EUT was placed 0.4 meters from the conducting wall of the shielded room with EUT being connected to the power mains through a line impedance stabilization network (LISN). Other support units were connected to the power mains through another LISN. The two LISNs provide 50 ohm/ 50uH of coupling impedance for the measuring instrument.
- b. Both lines of the power mains connected to the EUT were checked for maximum conducted interference.
- c. The frequency range from 150 kHz to 30 MHz was searched. Emission levels under (Limit -20 dB) was not recorded.

Note: All modes of operation were investigated and the worst-case emissions are reported.

4.2.4 Deviation from Test Standard

No deviation.

4.2.5 Test Setup



- Note:**
- 1.Support units were connected to second LISN.
 - 2.Both of LISNs (AMN) are 80 cm from EUT and at least 80 from other units and other metal planes

For the actual test configuration, please refer to the attached file (Test Setup Photo).

4.2.6 EUT Operating Conditions

- a. Placed the EUT on a testing table.
- b. Use the software to control the EUT under transmission condition continuously at specific channel frequency.

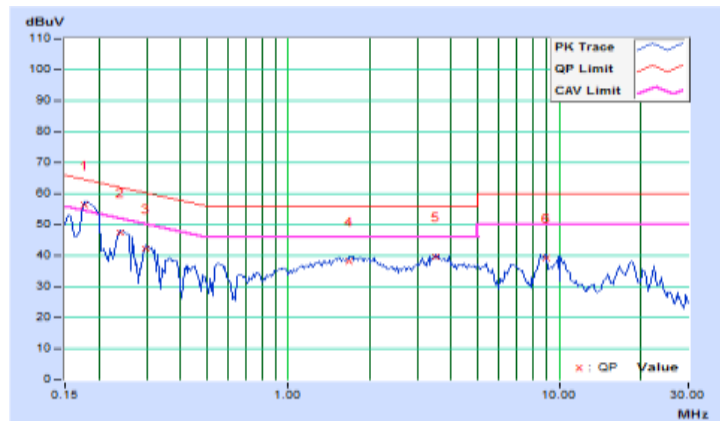
4.2.7 Test Results

| | | | |
|-----------------|----------------|--|--------------------------------------|
| Frequency Range | 150kHz ~ 30MHz | Detector Function & Resolution Bandwidth | Quasi-Peak (QP) / Average (AV), 9kHz |
| Input Power | 120Vac, 60Hz | Environmental Conditions | 25°C, 65%RH |
| Tested by | Thomas Wei | Test Date | 2018/12/27 |

| Phase Of Power : Line (L) | | | | | | | | | | |
|---------------------------|-----------------|------------------------|----------------------|--------------|-----------------------|--------------|--------------|--------------|--------------|---------------|
| No | Frequency (MHz) | Correction Factor (dB) | Reading Value (dBuV) | | Emission Level (dBuV) | | Limit (dBuV) | | Margin (dB) | |
| | | | Q.P. | AV. | Q.P. | AV. | Q.P. | AV. | Q.P. | AV. |
| 1 | 0.17734 | 9.67 | 46.66 | 27.41 | 56.33 | 37.08 | 64.61 | 54.61 | -8.28 | -17.53 |
| 2 | 0.23984 | 9.67 | 37.83 | 20.88 | 47.50 | 30.55 | 62.10 | 52.10 | -14.60 | -21.55 |
| 3 | 0.29844 | 9.67 | 32.43 | 14.18 | 42.10 | 23.85 | 60.29 | 50.29 | -18.19 | -26.44 |
| 4 | 1.67969 | 9.67 | 28.41 | 15.12 | 38.08 | 24.79 | 56.00 | 46.00 | -17.92 | -21.21 |
| 5 | 3.49609 | 9.72 | 29.81 | 15.37 | 39.53 | 25.09 | 56.00 | 46.00 | -16.47 | -20.91 |
| 6 | 8.91797 | 9.83 | 29.50 | 15.94 | 39.33 | 25.77 | 60.00 | 50.00 | -20.67 | -24.23 |

Remarks:

1. Q.P. and AV. are abbreviations of quasi-peak and average individually.
2. The emission levels of other frequencies were very low against the limit.
3. Margin value = Emission level – Limit value
4. Correction factor = Insertion loss + Cable loss
5. Emission Level = Correction Factor + Reading Value

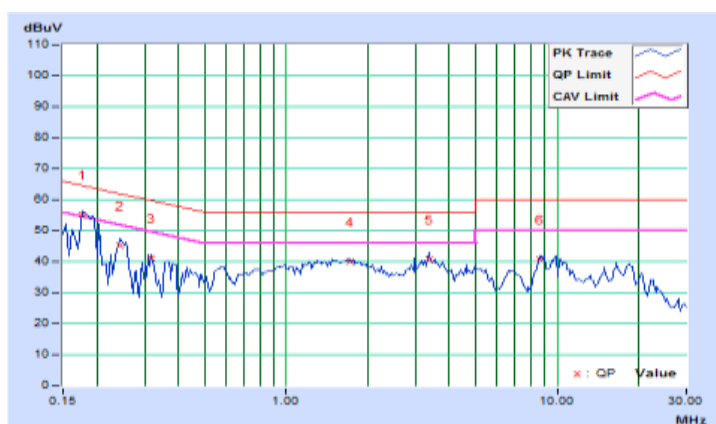


| | | | |
|-----------------|----------------|--|--------------------------------------|
| Frequency Range | 150kHz ~ 30MHz | Detector Function & Resolution Bandwidth | Quasi-Peak (QP) / Average (AV), 9kHz |
| Input Power | 120Vac, 60Hz | Environmental Conditions | 25°C, 65%RH |
| Tested by | Thomas Wei | Test Date | 2018/12/27 |

| Phase Of Power : Neutral (N) | | | | | | | | | | |
|------------------------------|-----------------|------------------------|----------------------|-------|-----------------------|-------|--------------|-------|-------------|--------|
| No | Frequency (MHz) | Correction Factor (dB) | Reading Value (dBuV) | | Emission Level (dBuV) | | Limit (dBuV) | | Margin (dB) | |
| | | | Q.P. | AV. | Q.P. | AV. | Q.P. | AV. | Q.P. | AV. |
| 1 | 0.17734 | 9.67 | 45.52 | 29.31 | 55.19 | 38.98 | 64.61 | 54.61 | -9.42 | -15.63 |
| 2 | 0.24375 | 9.67 | 35.62 | 21.76 | 45.29 | 31.43 | 61.97 | 51.97 | -16.68 | -20.54 |
| 3 | 0.31797 | 9.67 | 31.52 | 17.71 | 41.19 | 27.38 | 59.76 | 49.76 | -18.57 | -22.38 |
| 4 | 1.72656 | 9.67 | 30.46 | 17.02 | 40.13 | 26.69 | 56.00 | 46.00 | -15.87 | -19.31 |
| 5 | 3.38281 | 9.71 | 31.01 | 16.62 | 40.72 | 26.33 | 56.00 | 46.00 | -15.28 | -19.67 |
| 6 | 8.63281 | 9.83 | 30.73 | 16.71 | 40.56 | 26.54 | 60.00 | 50.00 | -19.44 | -23.46 |

Remarks:

1. Q.P. and AV. are abbreviations of quasi-peak and average individually.
2. The emission levels of other frequencies were very low against the limit.
3. Margin value = Emission level – Limit value
4. Correction factor = Insertion loss + Cable loss
5. Emission Level = Correction Factor + Reading Value



4.3 Transmit Power Measurement

4.3.1 Limits of Transmit Power Measurement

| Operation Band | EUT Category | | Limit |
|----------------|--------------|-----------------------------------|---|
| U-NII-1 | | Outdoor Access Point | 1 Watt (30 dBm) (Max. e.i.r.p \leq 125 mW (21 dBm) at any elevation angle above 30 degrees as measured from the horizon) |
| | | Fixed point-to-point Access Point | 1 Watt (30 dBm) |
| | | Indoor Access Point | 1 Watt (30 dBm) |
| | √ | Mobile and Portable client device | 250 mW (24 dBm) |
| U-NII-2A | | √ | 250 mW (24 dBm) or 11 dBm + 10 log B* |
| U-NII-2C | | √ | 250 mW (24 dBm) or 11 dBm + 10 log B* |
| U-NII-3 | | √ | 1 Watt (30 dBm) |

*B is the 26 dB emission bandwidth in megahertz

Per KDB 662911 Method of conducted output power measurement on IEEE 802.11 devices,

Array Gain = 0 dB (i.e., no array gain) for $N_{ANT} \leq 4$;

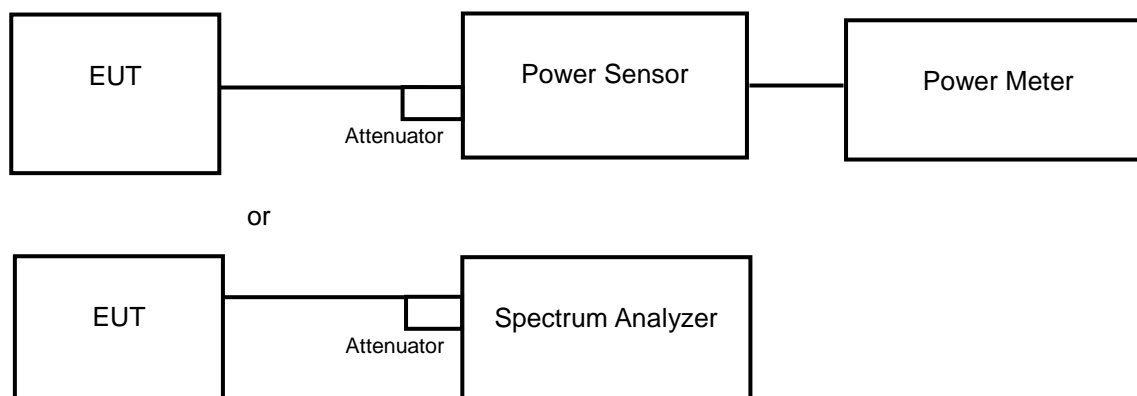
Array Gain = 0 dB (i.e., no array gain) for channel widths ≥ 40 MHz for any N_{ANT} ;

Array Gain = $5 \log(N_{ANT}/N_{SS})$ dB or 3 dB, whichever is less for 20 MHz channel widths with $N_{ANT} \geq 5$.

For power measurements on all other devices: Array Gain = $10 \log(N_{ANT}/N_{SS})$ dB.

4.3.2 Test Setup

<Power Output Measurement>



4.3.3 Test Instruments

Refer to section 4.1.2 to get information of above instrument.

4.3.4 Test Procedure

Average Power Measurement

<802.11a, 802.11n (HT20), 802.11n (HT40)>

Method PM is used to perform output power measurement, trigger and gating function of wide band power meter is enabled to measure max output power of TX on burst. Duty factor is not added to measured value.

<802.11ac (VHT80), 802.11ac (VHT160)>>

- a. Set span to encompass the entire 26 dB EBW (or, alternatively, the entire 99 % occupied bandwidth) of the signal.
- b. Set sweep trigger to "free run".
- c. Set RBW = 1 MHz.
- d. Set VBW \geq 3 MHz
- e. Number of points in sweep \geq 2 Span / RBW.
- f. Sweep time \leq (number of points in sweep) * T
- g. Using emission bandwidth to determine the frequency span for integration the channel bandwidth.
- h. Detector = RMS.
- i. Trace mode = max hold.
- j. Allow max hold to run for at least 60 seconds, or longer as needed to allow the trace to stabilize.

4.3.5 Deviation from Test Standard

No deviation.

4.3.6 EUT Operating Conditions

The software provided by client to enable the EUT under transmission condition continuously at lowest, middle and highest channel frequencies individually.

4.3.7 Test Results

Power Output:

802.11a

| Channel | Frequency (MHz) | Maximum Conducted Power (mW) | Maximum Conducted Power (dBm) | Power Limit (dBm) | Pass / Fail |
|---------|-----------------|------------------------------|-------------------------------|-------------------|-------------|
| 36 | 5180 | 69.502 | 18.42 | 24 | Pass |
| 40 | 5200 | 134.896 | 21.30 | 24 | Pass |
| 48 | 5240 | 119.950 | 20.79 | 24 | Pass |
| 52 | 5260 | 126.183 | 21.01 | 24 | Pass |
| 60 | 5300 | 99.312 | 19.97 | 24 | Pass |
| 64 | 5320 | 42.658 | 16.30 | 24 | Pass |
| 100 | 5500 | 83.368 | 19.21 | 24 | Pass |
| 116 | 5580 | 123.310 | 20.91 | 24 | Pass |
| 140 | 5700 | 77.268 | 18.88 | 24 | Pass |
| 149 | 5745 | 124.451 | 20.95 | 30 | Pass |
| 157 | 5785 | 122.462 | 20.88 | 30 | Pass |
| 165 | 5825 | 123.310 | 20.91 | 30 | Pass |

802.11n (HT20)

| Channel | Frequency (MHz) | Maximum Conducted Power (dBm) | | Total Power (mW) | Total Power (dBm) | Power Limit (dBm) | Pass / Fail |
|---------|-----------------|-------------------------------|---------|------------------|-------------------|-------------------|-------------|
| | | Chain 0 | Chain 1 | | | | |
| 36 | 5180 | 17.93 | 17.92 | 76.913 | 18.86 | 24 | Pass |
| 40 | 5200 | 21.53 | 21.23 | 177.011 | 22.48 | 24 | Pass |
| 48 | 5240 | 20.74 | 20.63 | 175.388 | 22.44 | 24 | Pass |
| 52 | 5260 | 20.89 | 21.36 | 189.671 | 22.78 | 24 | Pass |
| 60 | 5300 | 20.87 | 21.30 | 185.780 | 22.69 | 24 | Pass |
| 64 | 5320 | 16.26 | 16.65 | 77.090 | 18.87 | 24 | Pass |
| 100 | 5500 | 19.16 | 19.01 | 76.208 | 18.82 | 24 | Pass |
| 116 | 5580 | 20.94 | 21.25 | 179.473 | 22.54 | 24 | Pass |
| 140 | 5700 | 18.44 | 18.74 | 131.522 | 21.19 | 24 | Pass |
| 144 | 5720 | 19.95 | 19.81 | 175.388 | 22.44 | 24 | Pass |
| 149 | 5745 | 20.96 | 21.13 | 259.418 | 24.14 | 30 | Pass |
| 157 | 5785 | 21.24 | 21.18 | 261.818 | 24.18 | 30 | Pass |
| 165 | 5825 | 20.91 | 20.89 | 252.930 | 24.03 | 30 | Pass |

802.11n (HT40)

| Channel | Frequency (MHz) | Maximum Conducted Power (dBm) | | Total Power (mW) | Total Power (dBm) | Power Limit (dBm) | Pass / Fail |
|---------|-----------------|-------------------------------|---------|------------------|-------------------|-------------------|-------------|
| | | Chain 0 | Chain 1 | | | | |
| 38 | 5190 | 18.38 | 18.26 | 71.450 | 18.54 | 24 | Pass |
| 46 | 5230 | 19.56 | 19.41 | 139.637 | 21.45 | 24 | Pass |
| 54 | 5270 | 18.85 | 18.82 | 119.124 | 20.76 | 24 | Pass |
| 62 | 5310 | 14.81 | 14.82 | 54.702 | 17.38 | 24 | Pass |
| 102 | 5510 | 17.10 | 16.72 | 78.886 | 18.97 | 24 | Pass |
| 110 | 5550 | 21.62 | 21.49 | 225.424 | 23.53 | 24 | Pass |
| 134 | 5670 | 18.65 | 19.55 | 132.130 | 21.21 | 24 | Pass |
| 142 | 5710 | 19.93 | 19.90 | 201.837 | 23.05 | 24 | Pass |
| 151 | 5755 | 19.45 | 18.63 | 136.773 | 21.36 | 30 | Pass |
| 159 | 5795 | 19.83 | 19.82 | 195.884 | 22.92 | 30 | Pass |

802.11ac (VHT80)

| Channel | Frequency (MHz) | Maximum Conducted Power (dBm) | | Total Power (mW) | Total Power (dBm) | Power Limit (dBm) | Pass / Fail |
|---------|-----------------|-------------------------------|---------|------------------|-------------------|-------------------|-------------|
| | | Chain 0 | Chain 1 | | | | |
| 42 | 5210 | 18.32 | 17.57 | 61.376 | 17.88 | 24 | Pass |
| 58 | 5290 | 15.9 | 15.28 | 38.905 | 15.90 | 24 | Pass |
| 106 | 5530 | 17.64 | 17.38 | 69.984 | 18.45 | 24 | Pass |
| 122 | 5610 | 20.9 | 20.87 | 203.236 | 23.08 | 24 | Pass |
| 138 | 5690 | 20.51 | 20.47 | 236.048 | 23.73 | 24 | Pass |
| 155 | 5775 | 19.07 | 18.56 | 135.207 | 21.31 | 30 | Pass |

802.11ac (VHT160)

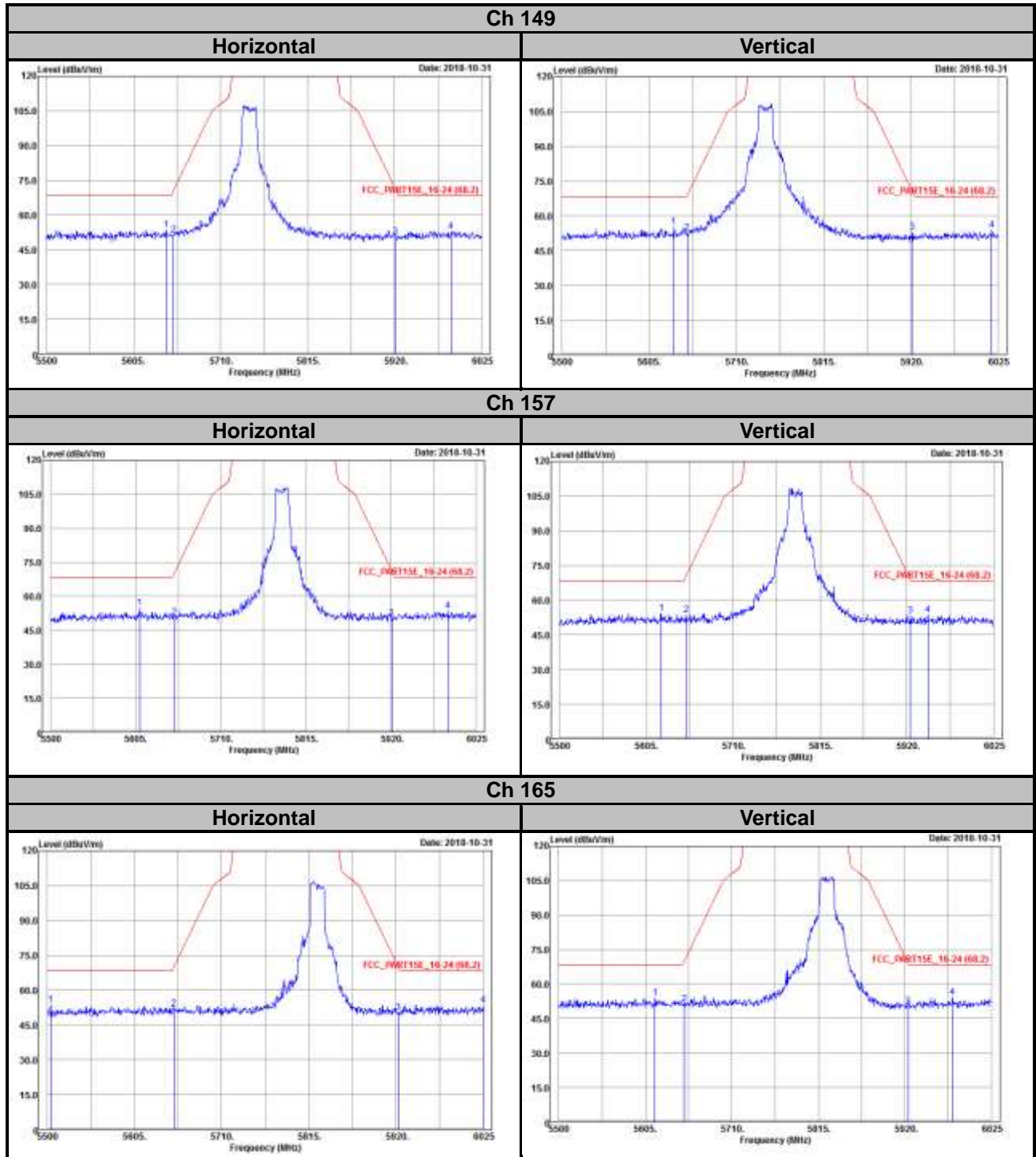
| Channel | Frequency (MHz) | Maximum Conducted Power (dBm) | | Total Power (mW) | Total Power (dBm) | Power Limit (dBm) | Pass / Fail |
|---------|-----------------|-------------------------------|---------|------------------|-------------------|-------------------|-------------|
| | | Chain 0 | Chain 1 | | | | |
| 50 | 5250 | 13.77 | 13.73 | 27.669 | 14.42 | 24 | Pass |
| 114 | 5570 | 15.08 | 15.05 | 43.451 | 16.38 | 24 | Pass |

5 Pictures of Test Arrangements

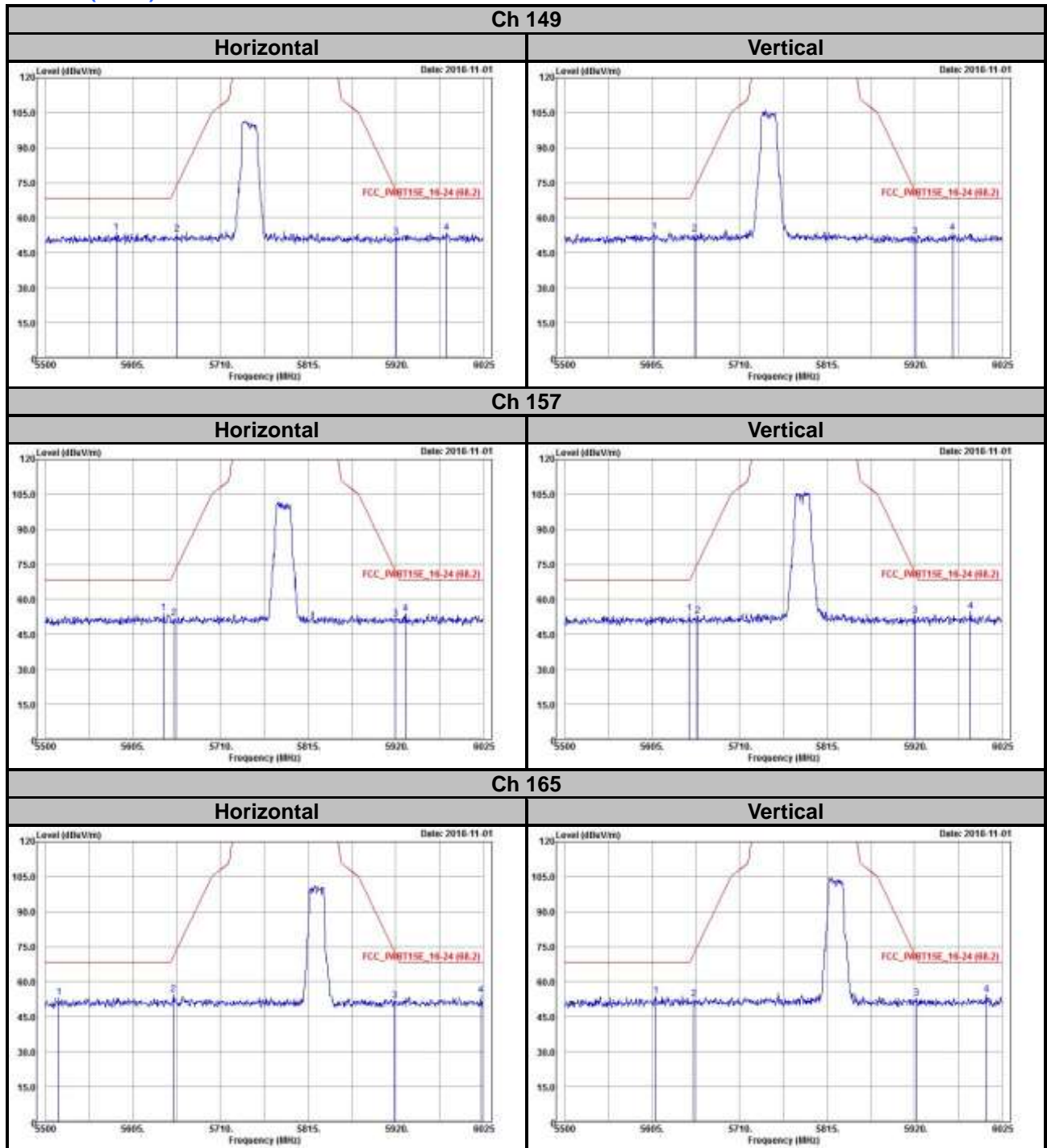
Please refer to the attached file (Test Setup Photo).

Annex A- Radiated Out of Band Emisison (OOBE) Measurement (For U-NII-3 band)

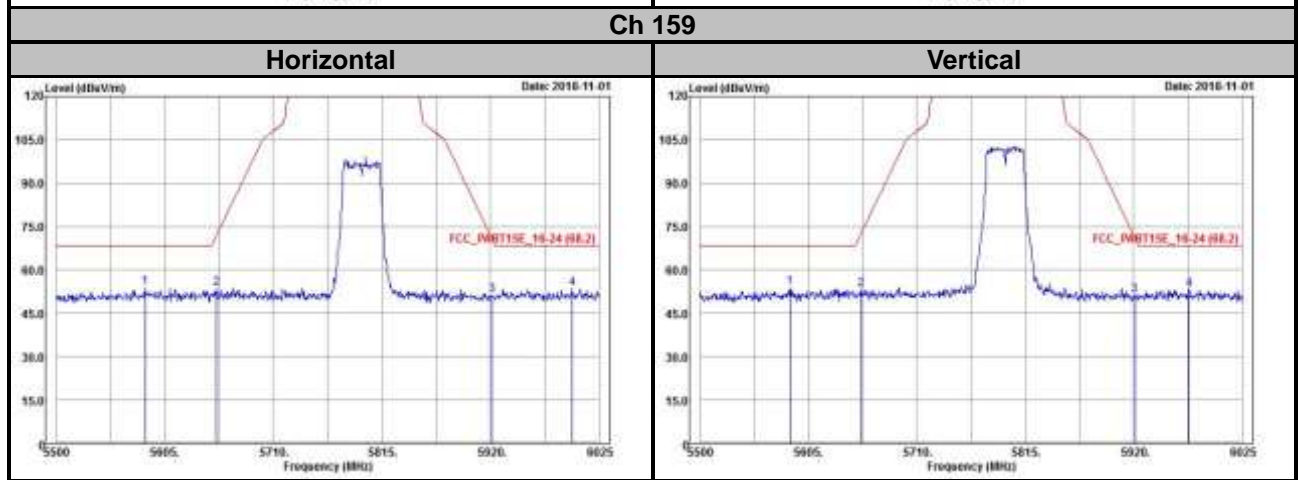
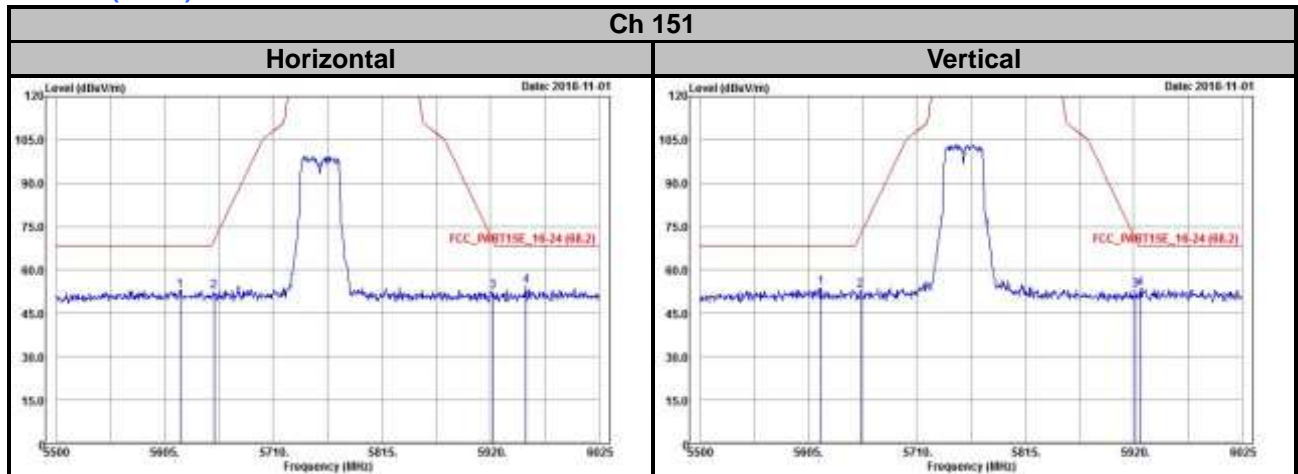
802.11a



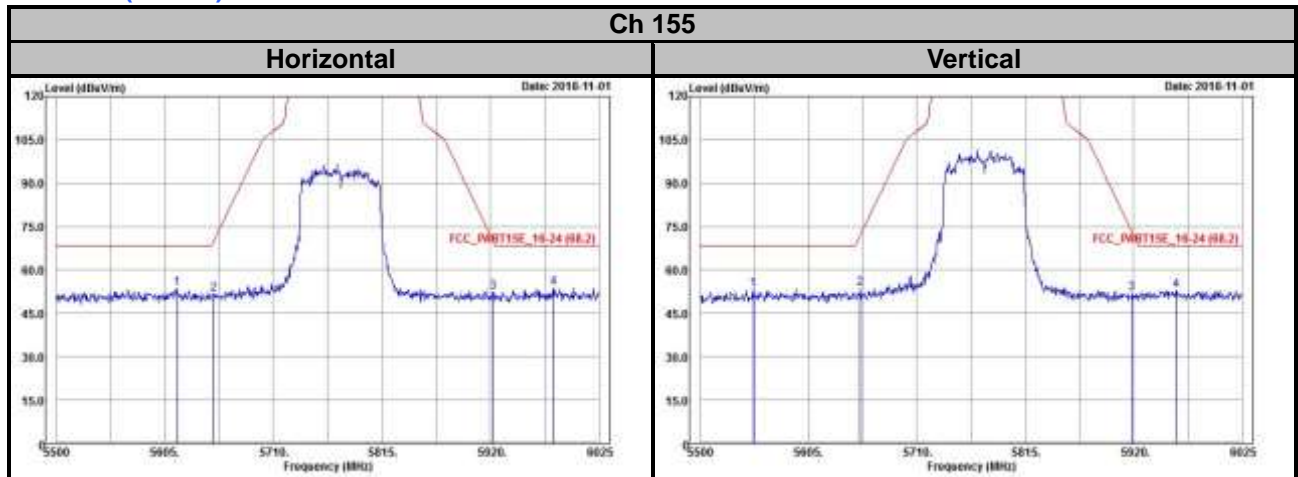
802.11n (HT20)



802.11n (HT40)



802.11ac (VHT80)



Appendix – Information on the Testing Laboratories

We, Bureau Veritas Consumer Products Services (H.K.) Ltd., Taoyuan Branch, were founded in 1988 to provide our best service in EMC, Radio, Telecom and Safety consultation. Our laboratories are FCC recognized accredited test firms and accredited according to ISO/IEC 17025.

If you have any comments, please feel free to contact us at the following:

Linko EMC/RF Lab

Tel: 886-2-26052180

Fax: 886-2-26051924

Hsin Chu EMC/RF/Telecom Lab

Tel: 886-3-6668565

Fax: 886-3-6668323

Hwa Ya EMC/RF/Safety

Tel: 886-3-3183232

Fax: 886-3-3270892

Email: service.adt@tw.bureauveritas.com

Web Site: www.bureauveritas-adt.com

The address and road map of all our labs can be found in our web site also.

--- END ---