



QV3A



Startup guide & Safety information **Quanta Tablet PC - QV series**

Document Part Number : QV-201101-000001

January.2011

This startup guide and safety information explains how to use the tablet PC and recommended external accessory .The last chapter introduces you how the safety protection is required and the ways to use the machine without safety concern.

Quanta Confidential

Legal notice

All document related trademarks, names, and logos are the property of Quanta Limited and are registered and/or used around the world. The information contained herein is subject to change without notice. Nothing herein should be construed as constituting an additional warranty. Quanta shall not be liable for technical or editorial errors or omissions contained herein and Quanta makes no commitment to provide any such changes, updates, enhancements, or other additions to this documentation to you in a timely manner or at all.

The third-party sources trademarks and trade names may be used in this document to refer to either the entities claiming the marks and names or their products. Quanta Inc. disclaims any proprietary interest in trademarks and trade names other than its own. All trademarks are the properties of their respective owners.

Startup Guide & Safety information

Quanta Tablet PC - QV Series

2nd Edition : January 2011

Reference Code : QV3A

QV-201101-000001

Preface

The preface illustrates how to interpret the symbols and text styles in the following listed tablet PC documentation.

Notes / Warnings & Cautions

- Certain notes provide basic information for inexperienced users ; others provide technical information for advanced users. Notes contain additional information for related topic. The following signs identify notes , warnings and cautions .



About Notes

The note provides supplementary details for inexperienced users.

- The warning and caution notices contain important information which be able to protect users while system operated . Be sure to check warnings and cautions in advance.



About Warnings

A WARNING indicates a potential for property damage, personal injury, or loss of life.



About Cautions

The information listed in caution icon protects users against damage to your tablet PC, or certain optional external device.

Contents

1. Identifying the Exterior of Tablet PC

QV3A Tablet PC Components1-1

The accessory1-2

The Front view/ Back view/ Side IO introduction. ..1-3

2. Quick Setup

Before You Use 2-1

Connecting to External Power 2-2

Turning On the Tablet PC 2-3

User Interface2-4

Regional / Language Settings 2-5

Screen Settings..... 2-6

Software Settings 2-7

Wireless LAN Settings..... 2-8

Bluetooth Settings2-9

Turning Off the Tablet PC2-10

3. Trouble shooting

Is the Tablet PC Receiving Power? 3-1

Is the Tablet PC Turned On? 3-2

Is the External Device Working? 3-3

4. Using the Tablet PC Safely

Using the Tablet PC under safe environment 4-1

Battery safety and device disposal. 4-2

5. Appendix

Safety regulation for USA / Europe 5-1

SAR Information 5-2

1. Identifying the Exterior of Tablet PC

1-1 QV3A Tablet PC Components / Dimension

- The QV3A tablet PC sets includes the “Major System” and “ Accessary” .

System Dimension : 258mm x 176.5mm x 12.2mm

- **Major system**



- **Accessary –Adapter**



Note

The color design or type of real products maybe different from the sample pictures , the sample pictures only for reference.

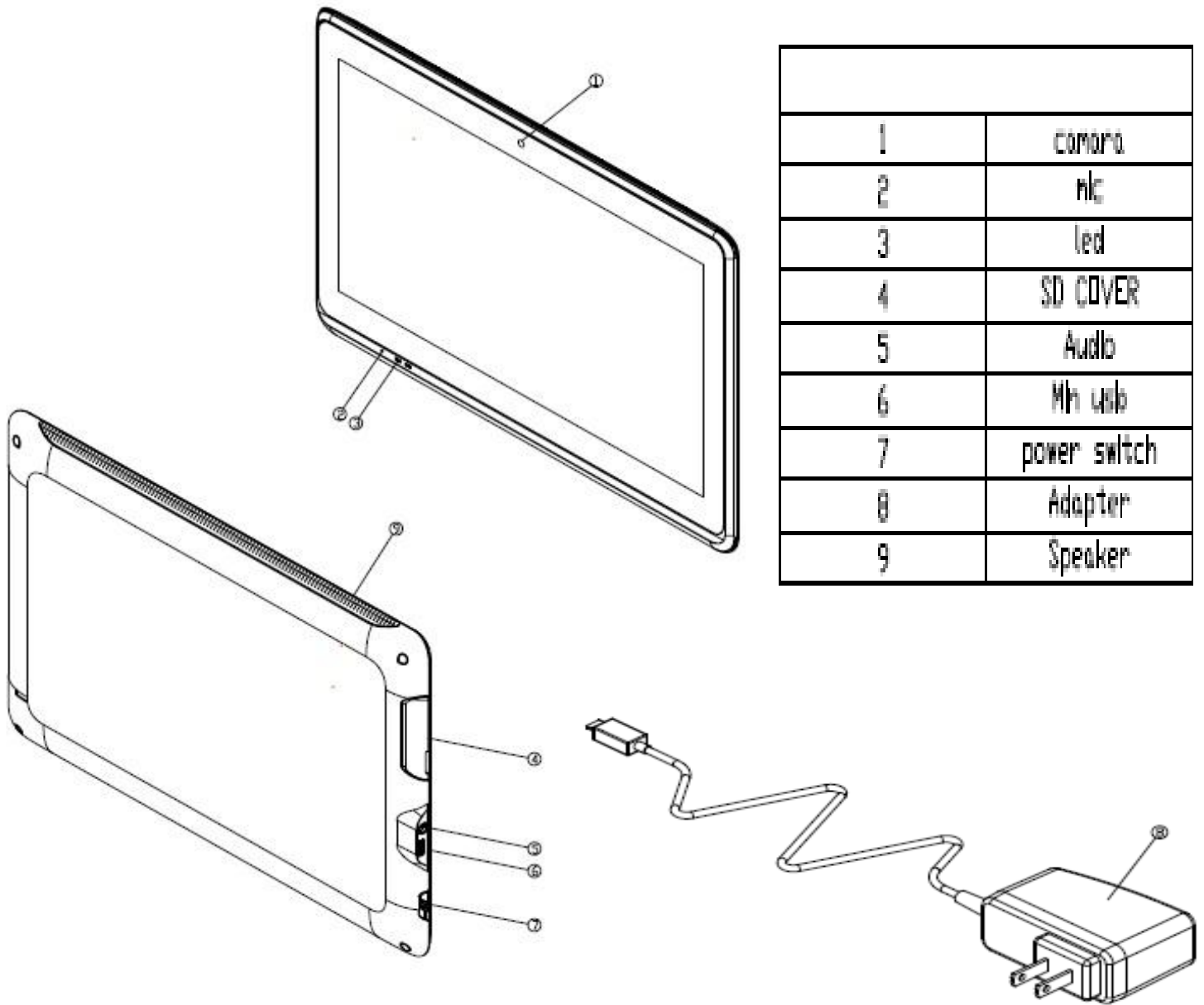
- **The QV3A table PC includes the adapter as power charge accessory.
(5 V / 2A / 10 W)**



Caution

To use different type external adapter may cause risk of system damage, pls use the instructed adapter type for system charge.

1-3 The Front view/ Back view/ Side IO / Accessory overview



2. Quick Setup

2-1 Before You Use

- Unpack the packing box and take the device out of it. Keep your hands dry and keep the device far from heat and magnet.

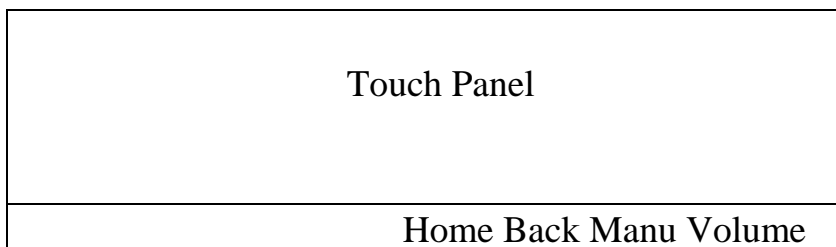
2-2 Connecting to External Power

- Ensure the power source is 110V and plug the adapter into the power jack. Make sure the jack is entirely fixed.

2-3 Turning On the Tablet PC

- Push the power button about 1 second that is located on the right side of the device. After about 15 seconds, user could see one penguin showed up on the screen.

2-4 User Interface –Hidden SW key location



- The figure above is the "Hidden SW key location". User could use his own finger to control the device by touching the ICON on the screen and the SW key on the black side bar under the display. User could do single touch, slide gesture, long press the screen or icon to use the respective functions defined by ANDROID OS.

2-5 Regional Settings

- The Regional setting and Multi-User-Lingual User Interface could be set to what user want in the "Setting" application.

2-6 Screen Settings

- User could choose the backlight intensity using the “Setting” application. Or they can use “Power Control” Widget that was held by long pressing the desktop screen; Or you can install external application or widgets on your own.

2-7 Software Settings

- By using “MENU” key , most software applications would pop out the option icons which includes the setting of the applications.

2-8 Wireless LAN Settings

- In “Setting” application, user could choose “network” option to enable the WIFI.

2-9 Bluetooth Settings

- In “Setting” application, user could choose “network” option to enable the blue tooth.

2-10 Turning off the Tablet PC

- Long press the power button about 2 seconds and the display will show a window which let user to choose power off option. Choose it and then press “OK”. The device will be turned off about 5~10 seconds right after.

3. Trouble shooting

3-1 Is the Tablet PC Receiving Power?

If the system have received power , the left one of the power indicator LED located at the left bottom in front of the device will be lighted up.

3-2 Is the Tablet PC Turned On?

If the system turned on ,the right one of the power indicator LED located at the bottom in front of the device will be lighted up.

3-3 Is the External Device Working?

Once the system/device was hang up, user could press the power bottom around 8 seconds, and the system will reboot and connect to the device again.



Warning

Do not open the system for trouble shooting check, this may cause system damage or personal injure ,pls contact the Quanta service dept. for consultant.

4-1 Comfort & Safety Suggestions

The tablet PC is a portable platform that allows you to work anywhere; To choose a good working environment is pretty important if you have to work with it for a long period of time.

- Keep the User's Guide that comes with the package for future reference.
- Keep this equipment away from humidity and high temperature.
- The place your work should have enough illumination.
- To choose the appropriate desk and chair to fit your posture when operating.
- Avoid to use your system in the space where may cause you discomfort.
- Do not try to place dangerous or heavy objects on the system
- Do not try to modify the system
- Do not try to cover or push objects into openings on the system unless instructed
- The tablet PC is an electrical designed device, please treat it with great care to avoid personal injury to do so in the documentation supplied by Quanta.
- The operating and storage temperatures should under suggested range .



Note

- **Device operating** 0 to 40°C
- **Device storage** -10 to 40°C
- **Charger operating** 0 to 40°C
- **Charger storage** -20 to 60 °C

4-2 Battery safety and Device Disposal

- For better environmental protection, waste batteries and system relative device should be collected separately for recycling or special disposal.
- Do not heat the battery.
- Do not allow metal objects to contact the battery terminals.
- Dispose of the tablet PC and the battery in accordance with the rules and regulations in your area of government laws.
- Please check local regulations about the disposal of electronic products in your area for personal safety and environmental protection.



Warning

Do not dispose the system or battery into fire since this might cause risk of explosion.



Note

Each country has it's own regulation or laws of electrical device disposal, pls follow the disposal rules of your region.



Caution

If battery was replaced by an incorrect type may cause risk of explosion.
To dispose the used battery according to the instruction and regional rules.

5. Appendix

5 -1 Safety regulation for USA / Europe

Safety regulation for USA

Federal Communications Commission (FCC) Statement

15.21

You are cautioned that changes or modifications not expressly approved by the part responsible for compliance could void the user's authority to operate the equipment.

15.105(b)

This equipment has been tested and found to comply with the limits for a Class B digital device, pursuant to part 15 of the FCC rules. These limits are designed to provide reasonable protection against harmful interference in a residential installation. This equipment generates, uses and can radiate radio frequency energy and, if not installed and used in accordance with the instructions, may cause harmful interference to radio communications. However, there is no guarantee that interference will not occur in a particular installation. If this equipment does cause harmful interference to radio or television reception, which can be determined by turning the equipment off and on, the user is encouraged to try to correct the interference by one or more of the following measures:

- Reorient or relocate the receiving antenna.
- Increase the separation between the equipment and receiver.
- Connect the equipment into an outlet on a circuit different from that to which the receiver is connected.
- Consult the dealer or an experienced radio/TV technician for help.

This device complies with Part 15 of the FCC Rules. Operation is subject to the following two conditions:

- 1) this device may not cause harmful interference, and
- 2) this device must accept any interference received, including interference that may cause undesired operation of the device.

FCC RF Radiation Exposure Statement:

This equipment complies with FCC radiation exposure limits set forth for an uncontrolled environment. End users must follow the specific operating instructions for satisfying RF exposure compliance. This transmitter must not be co-located or operating in conjunction with any other antenna or transmitter.

Safety regulation for Europe

European Union Notice

If this product has telecommunications functionality ,it also complies with the essential requirements of the following EU Directive:

R & TTE Directive 1999 / 5 /EC

Compliance with these directives implies conformity to harmonized European standards (European Norms) that are listed in the EU Declaration of Conformity issued by Quanta for this product or product family.

This compliance is indicated by one of the following conformity markings placed the product.

5 -2 SAR Information

SAR Information	
FCC:1.11W/kg @ 1g(Body)	
	WLAN802.11b
	1.11W/kg (WLAN802.11b_CH6_Configuration 1)
	WLAN802.11g
Max.SAR Measured (1g)	1.08W/kg (WLAN802.11g_CH6_Configuration 1)
	WLAN802.11n
	0.986W/kg (WLAN802.11n(20M)_CH6_Configuration 1)