

FCC Certification Test Report

Report No.: FC151221C01

Test Model: QTAFN5

FCC ID: HFS-QTAFN5

Received Date: Dec. 21, 2015

Test Date: Dec. 29, 2015 ~ Dec. 30, 2015

Issued Date: Jan. 14, 2016

Applicant: Quanta Computer Inc.

Address: No. 188, Wen Hwa 2nd RD., Guishan District, Taoyuan City, Taiwan

Issued By: Bureau Veritas Consumer Products Services (H.K.) Ltd., Taoyuan Branch

Lab Address: No. 19, Hwa Ya 2nd Rd, Wen Hwa Tsuen, Kwei Shan Hsiang, Taoyuan Hsien 333, Taiwan, R.O.C.



This report is for your exclusive use. Any copying or replication of this report to or for any other person or entity, or use of our name or trademark, is permitted only with our prior written permission. This report sets forth our findings solely with respect to the test samples identified herein. The results set forth in this report are not indicative or representative of the quality or characteristics of the lot from which a test sample was taken or any similar or identical product unless specifically and expressly noted. Our report includes all of the tests requested by you and the results thereof based upon the information that you provided to us. You have 60 days from date of issuance of this report to notify us of any material error or omission caused by our negligence, provided, however, that such notice shall be in writing and shall specifically address the issue you wish to raise. A failure to raise such issue within the prescribed time shall constitute your unqualified acceptance of the completeness of this report, the tests conducted and the correctness of the report contents. Unless specific mention, the uncertainty of measurement has been explicitly taken into account to declare the compliance or non-compliance to the specification. The report must not be used by the client to claim product certification, approval, or endorsement by NVLAP, NIST, or any agency of the federal government. The report must not be used by the client to claim product certification, approval, or endorsement by TAF or any government agencies.

Table of Contents

| | |
|---|-----------|
| Release Control Record | 3 |
| 1 Certificate of Conformity | 4 |
| 2 Summary of Test Results | 5 |
| 2.1 Measurement Uncertainty | 5 |
| 2.2 Modification Record | 5 |
| 3 General Information | 6 |
| 3.1 Features of EUT | 6 |
| 3.2 General Description of EUT | 6 |
| 3.3 Operating Modes of EUT and Determination of Worst Case Operating Mode | 7 |
| 3.4 Test Program Used and Operation Descriptions | 7 |
| 3.5 Primary Clock Frequencies of Internal Source | 7 |
| 3.6 Miscellaneous | 8 |
| 4 Configuration and Connections with EUT | 9 |
| 4.1 Connection Diagram of EUT and Peripheral Devices | 9 |
| 4.2 Configuration of Peripheral Devices and Cable Connections | 10 |
| 5 Conducted Emissions at Mains Ports | 11 |
| 5.1 Limits | 11 |
| 5.2 Test Instruments | 11 |
| 5.3 Test Arrangement | 12 |
| 5.4 Test Results | 13 |
| 6 Radiated Emissions up to 1 GHz | 15 |
| 6.1 Limits | 15 |
| 6.2 Test Instruments | 16 |
| 6.3 Test Arrangement | 17 |
| 6.4 Test Results | 18 |
| 7 Radiated Emissions above 1 GHz | 20 |
| 7.1 Limits | 20 |
| 7.2 Test Instruments | 21 |
| 7.3 Test Arrangement | 22 |
| 7.4 Test Results | 23 |
| 8 Pictures of Test Arrangements | 27 |
| Appendix – Information on the Testing Laboratories | 28 |



A D T

Release Control Record

| Issue No. | Description | Date Issued |
|-------------|------------------|---------------|
| FC151221C01 | Original Release | Jan. 14, 2016 |

1 Certificate of Conformity

Product: FN5

Test Model: QTAFN5

Sample Status: Identical Prototype

Applicant: Quanta Computer Inc.

Test Date: Dec. 29, 2015 ~ Dec. 30, 2015

Standards: 47 CFR FCC Part 15, Subpart B, Class B
ICES-003:2012 Issue 5, Class B
ANSI C63.4:2009

The above equipment has been tested by **Bureau Veritas Consumer Products Services (H.K.) Ltd., Taoyuan Branch**, and found compliance with the requirement of the above standards. The test record, data evaluation & Equipment Under Test (EUT) configurations represented herein are true and accurate accounts of the measurements of the sample's EMC characteristics under the conditions specified in this report.

Prepared by : Vera Huang, **Date:** Jan. 14, 2016
Vera Huang / Specialist

Approved by : Carl Chen, **Date:** Jan. 14, 2016
Carl Chen / Project Engineer

2 Summary of Test Results

47 CFR FCC Part 15, Subpart B / ICES-003:2012 Issue 5, Class B

ANSI C63.4:2009

| FCC Clause | ICES-003 Clause | Test Item | Result/Remarks | Verdict |
|------------|-----------------|-----------------------------------|---|---------|
| 15.107 | 6.1 | AC Power Line Conducted Emissions | Minimum passing Class B margin is -6.68 dB at 0.17744 MHz | Pass |
| 15.109 | 6.2.1 | Radiated Emissions up to 1 GHz | Minimum passing Class B margin is -4.42 dB at 37.57 MHz | Pass |
| | 6.2.2 | Radiated Emissions above 1 GHz | Minimum passing Class B margin is -19.88 dB at 24332.56 MHz | Pass |

Note: There is no deviation to the applied test methods and requirements covered by the scope of this report.

2.1 Measurement Uncertainty

Where relevant, the following measurement uncertainty levels have been estimated for tests performed on the EUT:

The listed uncertainties are the worst case uncertainty for the entire range of measurement. Please note that the uncertainty values are provided for informational purposes only and are not used in determining the PASS/FAIL results.

| Measurement | Frequency | Expanded Uncertainty (k=2) (\pm) |
|------------------------------------|----------------|--------------------------------------|
| Conducted Emissions at mains ports | 150kHz ~ 30MHz | 2.44 dB |
| Radiated Emissions up to 1 GHz | 30MHz ~ 1GHz | 4.70 dB |
| Radiated Emissions above 1 GHz | Above 1GHz | 2.26 dB |

2.2 Modification Record

There were no modifications required for compliance.

3 General Information

3.1 Features of EUT

The tests reported herein were performed according to the method specified by Quanta Computer Inc., for detailed feature description, please refer to the manufacturer's specifications or user's manual.

3.2 General Description of EUT

| | |
|---------------------|---|
| Product | FN5 |
| Test Model | QTAFN5 |
| Operating Software | Android 5.1.1 |
| Power Supply Rating | 3.8Vdc (Battery) 5Vdc or 12Vdc (Adapter) |
| Accessory Device | Refer to Note as below |
| Data Cable Supplied | N/A |

Note:

1. The EUT contains following accessory devices.

| Product | Brand | Model | Description |
|-----------|---------|------------|--|
| Adapter | Chicony | W15-018N2A | I/P: 100-240Vac, 50-60Hz, 0.6A O/P: 5Vdc, 3A or 12Vdc, 1.5A 1.8m shielded cable w/o core |
| Battery | McNair | MLP446164 | 3.8Vdc, 2650mAh |
| LTE Chip | INTEL | PMB 5746 | -- |
| WLAN Chip | INTEL | WCS8170 | -- |

3.3 Operating Modes of EUT and Determination of Worst Case Operating Mode

Test modes are presented in the report as below.

| Mode | Test Condition |
|--|---|
| Conducted Emission & Radiated Emission | |
| 1 | GSM850 Idle + BT Idle + WLAN (2.4G) Idle + GPS & GLONASS Rx + Earphone + Adapter |
| 2 | WCDMA 1900 Idle + BT Idle + WLAN (5G) Idle + Camera + Earphone + Adapter |
| 3 | LTE Band 13 Idle + BT Idle + WLAN (2.4G) Idle + MPEG 4 + USB Cable + Earphone + USB Link + Laptop |
| Remark: 1. For conducted emission test, test mode 2 was the worst case and only this mode was presented in the report. 2. For radiated emission test, test mode 1 was the worst case and only this mode was presented in the report. | |

3.4 Test Program Used and Operation Descriptions

<Conducted Emission>

- a. The SD card was inserted into the EUT.
- b. The EUT was charged from the adapter.
- c. The EUT linked with bluetooth earphone in idle mode.
- d. The EUT played camera.
- e. The EUT was connected with earphone.
- f. The EUT communicated data with Radio Communication Analyzer and Wireless AP, which acted as communication partners.
- g. Set WWAN and WLAN function in idle mode.

<Radiated Emission>

- a. The SD card was inserted into the EUT.
- b. The EUT was charged from the adapter.
- c. The EUT linked with bluetooth earphone in idle mode.
- d. The EUT was connected with earphone.
- e. The EUT communicated data with Radio Communication Analyzer, GPS Simulator, and Wireless AP, which acted as communication partners.
- f. Set WWAN and WLAN function in idle mode.

3.5 Primary Clock Frequencies of Internal Source

The highest frequency generated or used within the EUT or on which the EUT operates or tunes is 5 GHz, provided by Quanta Computer Inc., for detailed internal source, please refer to the manufacturer's specifications.

3.6 Miscellaneous

Labelling Requirements for Part 15 Devices:

➤ Verification

The specific labelling requirements for a device subject to the Verification procedure are contained in Section 15.19(a). These labelling requirements are:

If the device is subject only to Verification, include a label bearing a unique identifier (Section 2.954) and one of three compliance statements specified in Section 15.19(a). If the labeling area for the device is so small, and/or it is not practical to place the compliance statement on the device, then the statement can be placed in the user manual or product packaging (Section 15.19(a)(5)). However, the device must still be labelled with the unique identifier (Verification). Generally, devices smaller than the palm of the hand are considered too small for the compliance statement.

➤ Certification

If the device is subject to Certification: (1) Section 2.925 contains information on identification of the equipment; (2) include a label bearing an FCC Identifier (FCC ID) (Section 2.926) and (3) include the appropriate compliance statement in Section 15.19(a). If the device is considered too small and therefore it is impractical (smaller than the palm of the hand) to display the compliance statement, then the statement may be placed in the user manual or product packaging. However, the device must still be labelled with the FCC ID. If the device is unquestionably too small for the FCC ID to be readable (smaller than 4-6 points), the FCC ID may be placed in the user manual. However, it must be determined that the device itself is too small – the label area allocated to the FCC ID may not be reduced because of over crowded identification of other product and regulatory information.

An electronic display of the FCC ID (see 9. Electronic Labelling below) may be used for Certification of Section 15.212 modular transmitters and software defined radios (Section 2.944).

➤ Declaration of Conformity (DoC):

The labelling requirements for a device subject to the DoC procedure are specified in Section 15.19(b). The label should include the FCC logo along with the Trade Name and Model Number, which satisfies the unique identifier requirement of Section 2.1074 if it represents the identical equipment tested for DoC compliance. For personal computers assembled from authorized components, the following additional text must also be included: “Assembled from tested components,” “Complete system not tested.” When the device is so small and/or when it is not practical to place the required additional text on the device, the text may be placed in the user manual or pamphlet supplied to the user. However, the FCC logo, Trade Name, and Model Number must still be displayed on the device (Section 15.19(b)(3)).



Part 15 Declaration of Conformity (DoC) Label Examples

Equipment certified as software defined radio may use a means that readily displays the FCC ID on an electronic display screen, instead of labelling the device (Section 2.925 (e)).

Further information may refer to FCC KDB:784748 D01 Labelling Part 15 &18 Guidelines

Labelling Requirements for ICES-003 Devices:

➤ Industry Canada ICES-003 Compliance Label:

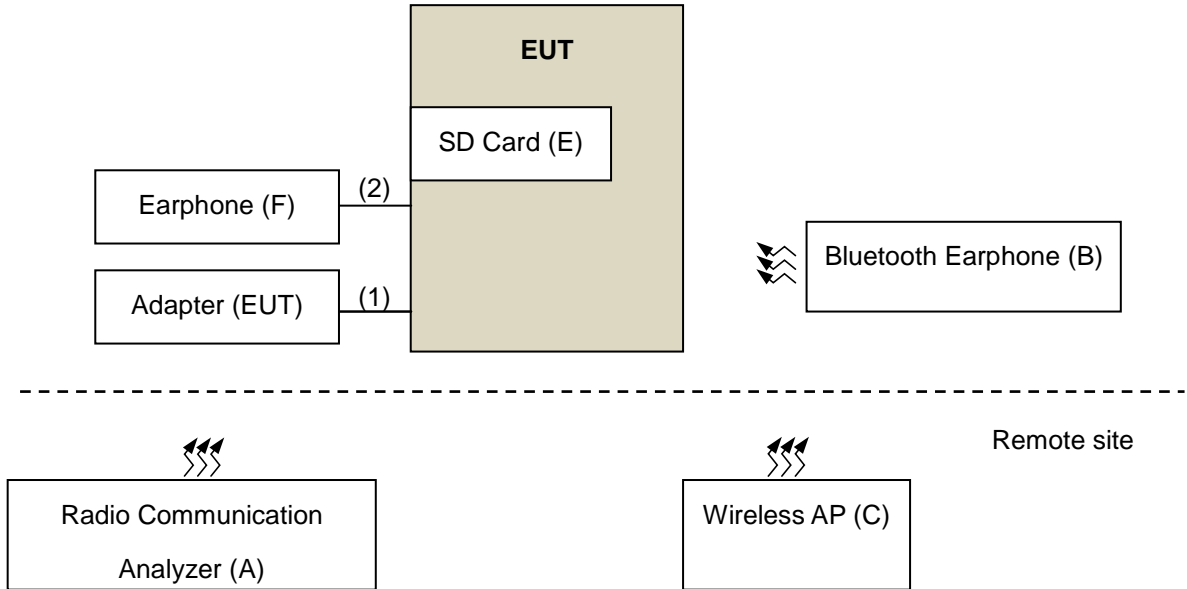
CAN ICES-3 (*)/NMB-3(*)

* Insert either “A” or “B” but not both to identify the applicable Class of ITE.

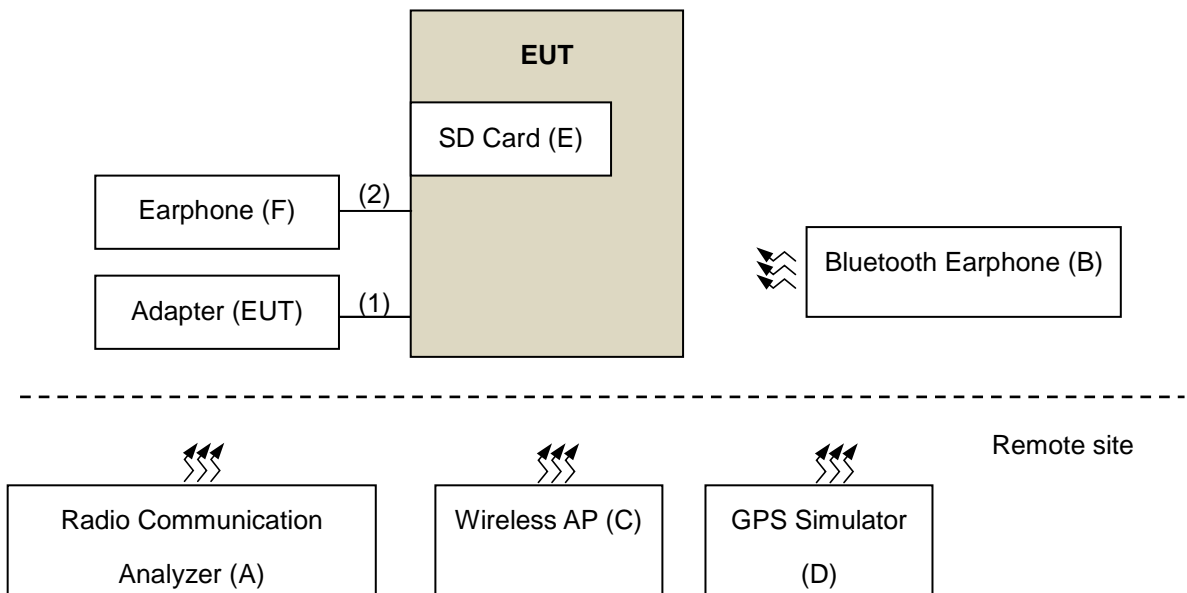
4 Configuration and Connections with EUT

4.1 Connection Diagram of EUT and Peripheral Devices

<Conducted Emission>



<Radiated Emission>



4.2 Configuration of Peripheral Devices and Cable Connections

| ID | Product | Brand | Model No. | Serial No. | FCC ID | Remarks |
|----|------------------------------|----------|-------------|---------------|------------|---------|
| A. | Radio Communication Analyzer | Anritsu | MT8820C | 6201240432 | N/A | -- |
| B. | Bluetooth Earphone | ELECOM | LBT-MPHS400 | N/A | N/A | -- |
| C. | Wireless N Dual band Router | D-LINK | DIR-815 | PVK21B5000399 | KA21R815A1 | -- |
| D. | GPS simulator | PENDULUM | GSG-54 | 191121 | N/A | -- |
| E. | SD Card | Sony | N/A | N/A | N/A | -- |
| F. | Earphone | ASUS | N/A | N/A | N/A | -- |

Note:

1. All power cords of the above support units are non-shielded (1.8m).
2. Items A-D acted as communication partners to transfer data.

| ID | Descriptions | Qty. | Length (m) | Shielding (Yes/No) | Cores (Qty.) | Remarks |
|----|----------------|------|------------|--------------------|--------------|----------------------|
| 1. | Adapter Cable | 1 | 1.8 | Y | 0 | Accessory of the EUT |
| 2. | Earphone Cable | 1 | 1.2 | N | 0 | -- |

Note: The core(s) is (are) originally attached to the cable(s).

5 Conducted Emissions at Mains Ports

5.1 Limits

| Frequency (MHz) | Class A (dBuV) | | Class B (dBuV) | |
|-----------------|----------------|---------|----------------|---------|
| | Quasi-peak | Average | Quasi-peak | Average |
| 0.15 - 0.5 | 79 | 66 | 66 - 56 | 56 - 46 |
| 0.50 - 5.0 | 73 | 60 | 56 | 46 |
| 5.0 - 30.0 | 73 | 60 | 60 | 50 |

Notes: 1. The lower limit shall apply at the transition frequencies.
 2. The limit decreases linearly with the logarithm of the frequency in the range of 0.15 to 0.50 MHz.

5.2 Test Instruments

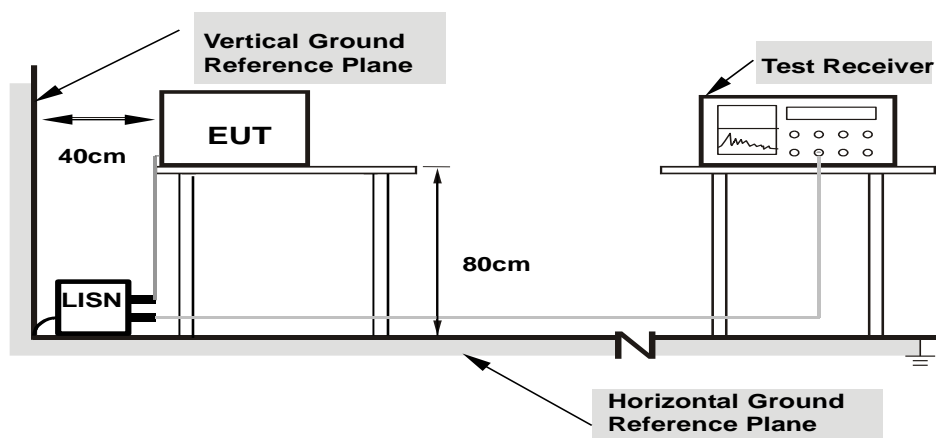
| DESCRIPTION & MANUFACTURER | MODEL NO. | SERIAL NO. | DATE OF CALIBRATION | DUE DATE OF CALIBRATION |
|--|--------------------------|----------------|---------------------|-------------------------|
| Test Receiver ROHDE & SCHWARZ | ESCI | 100613 | Nov. 16, 2015 | Nov. 15, 2016 |
| RF signal cable (with 10dB PAD) Woken | 5D-FB | Cable-cond1-01 | Dec. 26, 2015 | Dec. 25, 2016 |
| LISN ROHDE & SCHWARZ (EUT) | ESH3-Z5 | 835239/001 | Feb. 26, 2015 | Feb. 25, 2016 |
| LISN ROHDE & SCHWARZ (Peripheral) | ESH3-Z5 | 100311 | Jul. 24, 2015 | Jul. 23, 2016 |
| Software ADT | BV ADT_Cond_ V7.3.7.3 | NA | NA | NA |

Note: 1. The calibration interval of the above test instruments is 12 months and the calibrations are traceable to NML/ROC and NIST/USA.
 2. The test was performed in HwaYa Shielded Room 1.
 3. The VCCI Site Registration No. is C-2040.

5.3 Test Arrangement

- a. The EUT was placed 0.4 meters from the conducting wall of the shielded room with EUT being connected to the power mains through a line impedance stabilization network (LISN). Other support units were connected to the power mains through another LISN. The two LISNs provide 50 Ohm/ 50uH of coupling impedance for the measuring instrument.
- b. Both lines of the power mains connected to the EUT were checked for maximum conducted interference.
- c. The test results of conducted emissions at mains ports are recorded of six worst margins for quasi-peak (mandatory) [and average (if necessary)] values against the limits at frequencies of interest unless the margin is 20 dB or greater.

Note: The resolution bandwidth and video bandwidth of test receiver is 9kHz for quasi-peak detection (QP) and average detection (AV) at frequency 0.15MHz-30MHz.



- Note:**
- 1. Support units were connected to second LISN.
 - 2. Both of LISNs (AMN) are 80 cm from EUT and at least 80 cm from other units and other metal planes

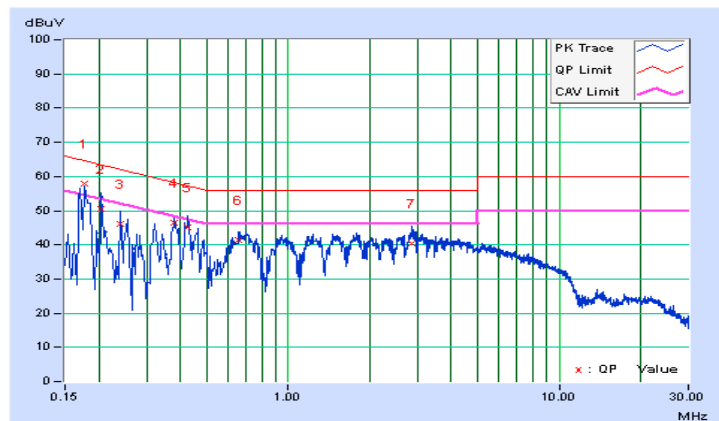
5.4 Test Results

| | | | |
|-----------------|----------------|--|--------------------------------------|
| Frequency Range | 150kHz ~ 30MHz | Detector Function & Resolution Bandwidth | Quasi-Peak (QP) / Average (AV), 9kHz |
| Input Power | 120Vac, 60Hz | Environmental Conditions | 24°C, 63%RH |
| Tested by | Rolan Zheng | Test Date | 2015/12/29 |
| Test Mode | Mode 2 | | |

| Phase Of Power : Line (L) | | | | | | | | | | |
|---------------------------|-----------------|------------------------|----------------------|-------|-----------------------|-------|--------------|-------|-------------|--------|
| No | Frequency (MHz) | Correction Factor (dB) | Reading Value (dBuV) | | Emission Level (dBuV) | | Limit (dBuV) | | Margin (dB) | |
| | | | Q.P. | AV. | Q.P. | AV. | Q.P. | AV. | Q.P. | AV. |
| 1 | 0.17744 | 10.01 | 47.92 | 34.28 | 57.93 | 44.29 | 64.60 | 54.60 | -6.68 | -10.32 |
| 2 | 0.20474 | 10.06 | 40.53 | 24.81 | 50.59 | 34.87 | 63.42 | 53.42 | -12.83 | -18.55 |
| 3 | 0.23993 | 10.06 | 35.91 | 18.72 | 45.97 | 28.78 | 62.10 | 52.10 | -16.13 | -23.32 |
| 4 | 0.38099 | 10.06 | 36.32 | 30.88 | 46.38 | 40.94 | 58.26 | 48.26 | -11.88 | -7.32 |
| 5 | 0.42761 | 10.07 | 34.95 | 27.02 | 45.02 | 37.09 | 57.30 | 47.30 | -12.28 | -10.21 |
| 6 | 0.65439 | 10.13 | 31.41 | 24.45 | 41.54 | 34.58 | 56.00 | 46.00 | -14.46 | -11.42 |
| 7 | 2.87527 | 10.28 | 30.17 | 24.63 | 40.45 | 34.91 | 56.00 | 46.00 | -15.55 | -11.09 |

Remarks:

1. Q.P. and AV. are abbreviations of quasi-peak and average individually.
2. The emission levels of other frequencies were very low against the limit.
3. Margin value = Emission level – Limit value
4. Correction factor = Insertion loss + Cable loss
5. Emission Level = Correction Factor + Reading Value

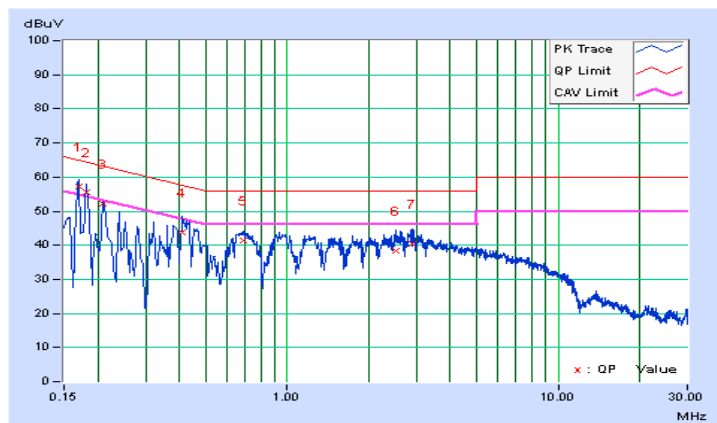


| | | | |
|-----------------|----------------|--|--------------------------------------|
| Frequency Range | 150kHz ~ 30MHz | Detector Function & Resolution Bandwidth | Quasi-Peak (QP) / Average (AV), 9kHz |
| Input Power | 120Vac, 60Hz | Environmental Conditions | 24°C, 63%RH |
| Tested by | Rolan Zheng | Test Date | 2015/12/29 |
| Test Mode | Mode 2 | | |

| Phase Of Power : Neutral (N) | | | | | | | | | | |
|------------------------------|-----------------|------------------------|----------------------|-------|-----------------------|-------|--------------|-------|-------------|--------|
| No | Frequency (MHz) | Correction Factor (dB) | Reading Value (dBuV) | | Emission Level (dBuV) | | Limit (dBuV) | | Margin (dB) | |
| | | | Q.P. | AV. | Q.P. | AV. | Q.P. | AV. | Q.P. | AV. |
| 1 | 0.16955 | 9.98 | 47.29 | 29.35 | 57.27 | 39.33 | 64.98 | 54.98 | -7.71 | -15.65 |
| 2 | 0.18128 | 9.99 | 45.46 | 29.45 | 55.45 | 39.44 | 64.43 | 54.43 | -8.98 | -14.99 |
| 3 | 0.20893 | 10.00 | 42.12 | 31.11 | 52.12 | 41.11 | 63.25 | 53.25 | -11.12 | -12.13 |
| 4 | 0.40800 | 10.11 | 33.55 | 21.99 | 43.66 | 32.10 | 57.69 | 47.69 | -14.03 | -15.59 |
| 5 | 0.68958 | 10.15 | 31.24 | 23.92 | 41.39 | 34.07 | 56.00 | 46.00 | -14.61 | -11.93 |
| 6 | 2.52728 | 10.30 | 28.08 | 21.74 | 38.38 | 32.04 | 56.00 | 46.00 | -17.62 | -13.96 |
| 7 | 2.88309 | 10.33 | 30.21 | 23.85 | 40.54 | 34.18 | 56.00 | 46.00 | -15.46 | -11.82 |

Remarks:

1. Q.P. and AV. are abbreviations of quasi-peak and average individually.
2. The emission levels of other frequencies were very low against the limit.
3. Margin value = Emission level – Limit value
4. Correction factor = Insertion loss + Cable loss
5. Emission Level = Correction Factor + Reading Value



6 Radiated Emissions up to 1 GHz

6.1 Limits

Emissions radiated outside of the specified bands, shall be according to the general radiated limits as following:

| Radiated Emissions Limits at 10 meters (dB μ V/m) | | | | |
|---|-----------------------------|-----------------------------|-------------------|-------------------|
| Frequencies (MHz) | FCC 15B / ICES-003, Class A | FCC 15B / ICES-003, Class B | CISPR 22, Class A | CISPR 22, Class B |
| 30-88 | 39 | 29.5 | 40 | 30 |
| 88-216 | 43.5 | 33.1 | | |
| 216-230 | 46.4 | 35.6 | | |
| 230-960 | | | 47 | 37 |
| 960-1000 | 49.5 | 43.5 | | |

| Radiated Emissions Limits at 3 meters (dB μ V/m) | | | | |
|--|-----------------------------|-----------------------------|-------------------|-------------------|
| Frequencies (MHz) | FCC 15B / ICES-003, Class A | FCC 15B / ICES-003, Class B | CISPR 22, Class A | CISPR 22, Class B |
| 30-88 | 49.5 | 40 | 50.5 | 40.5 |
| 88-216 | 54 | 43.5 | | |
| 216-230 | 56.9 | 46 | | |
| 230-960 | | | 57.5 | 47.5 |
| 960-1000 | 60 | 54 | | |

- Notes:
1. The lower limit shall apply at the transition frequencies.
 2. Emission level (dB μ V/m) = 20 log Emission level (uV/m).
 3. QP detector shall be applied if not specified.



6.2 Test Instruments

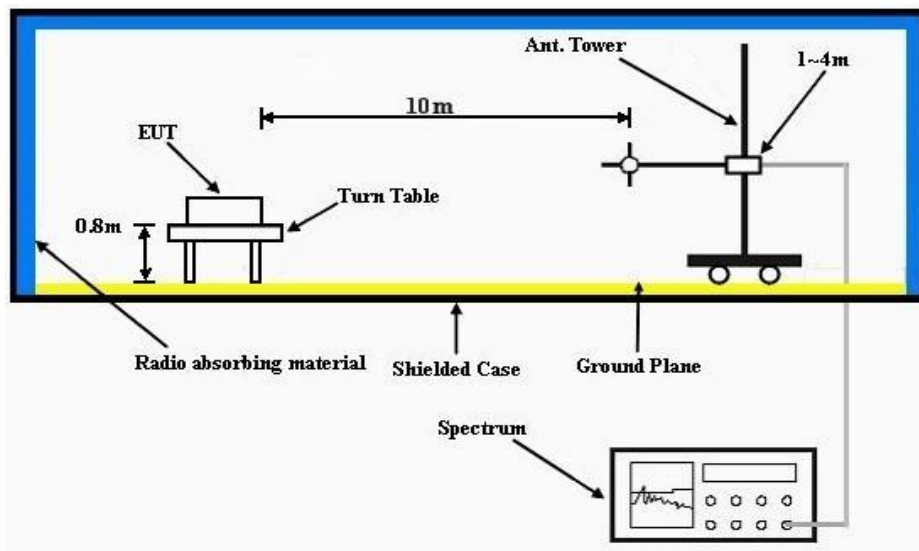
| DESCRIPTION & MANUFACTURER | MODEL NO. | SERIAL NO. | DATE OF CALIBRATION | DUE DATE OF CALIBRATION |
|--|------------------------------|----------------|---------------------|-------------------------|
| Test Receiver ROHDE & SCHWARZ (V) | ESR | 101240 | Oct. 06, 2015 | Oct. 05, 2016 |
| Test Receiver ROHDE & SCHWARZ (H) | ESR | 101264 | Dec. 11, 2015 | Dec. 10, 2016 |
| BILOG Antenna SCHWARZBECK (V) | VULB9168 | 9168-149 | Feb. 03, 2015 | Feb. 02, 2016 |
| BILOG Antenna SCHWARZBECK (H) | VULB9168 | 9168-154 | Feb. 03, 2015 | Feb. 02, 2016 |
| Preamplifier Agilent (V) | 310N | 352924 | Jul. 20, 2015 | Jul. 19, 2016 |
| Preamplifier Agilent (H) | 310N | 352923 | Jul. 20, 2015 | Jul. 19, 2016 |
| RF signal cable (with 5dB PAD) Woken (V) | 8D-FB | Cable-CH(V)-01 | Oct. 25, 2015 | Oct. 24, 2016 |
| RF signal cable (with 5dB PAD) Woken (H) | 8D-FB | Cable-CH(H)-01 | Oct. 25, 2015 | Oct. 24, 2016 |
| Software BV ADT | BV ADT_Radiated_ V 8.7.07 | NA | NA | NA |
| Antenna Tower (V) | MFA-440 | 9707 | NA | NA |
| Antenna Tower (H) | MFA-440 | 970705 | NA | NA |
| Turn Table | DS430 | 50303 | NA | NA |
| Controller (V) | MF7802 | 074 | NA | NA |
| Controller (H) | MF7802 | 08093 | NA | NA |

- Note:**
1. The calibration interval of the above test instruments is 12 months and the calibrations are traceable to NML/ROC and NIST/USA.
 2. The test was performed in HwaYa Chamber 1.
 3. The FCC Site Registration No. is 477732.
 4. The IC Site Registration No. is IC 7450F-1.
 5. The VCCI Site Registration No. is R-1893.

6.3 Test Arrangement

- The EUT was placed on the top of a rotating table 0.8 meters above the ground at an accredited test facility. The table was rotated 360 degrees to determine the position of the highest radiation.
- The EUT was set 10 meters away from the interference-receiving antenna, which was mounted on the top of a variable-height antenna tower.
- The antenna is a broadband antenna, and its height is varied from one meter to four meters above the ground to determine the maximum value of the field strength. Both horizontal and vertical polarizations of the antenna are set to make the measurement.
- For each suspected emission, the EUT was arranged to its worst case and then the antenna was tuned to heights from 1 meter to 4 meters and the rotatable table was turned from 0 degrees to 360 degrees to find the maximum reading.
- The test-receiver system was set to quasi-peak detect function and specified bandwidth with maximum hold mode when the test frequency is below 1 GHz.

Note: The resolution bandwidth and video bandwidth of test receiver/spectrum analyzer is 120kHz for quasi-peak detection (QP) at frequency below 1GHz.



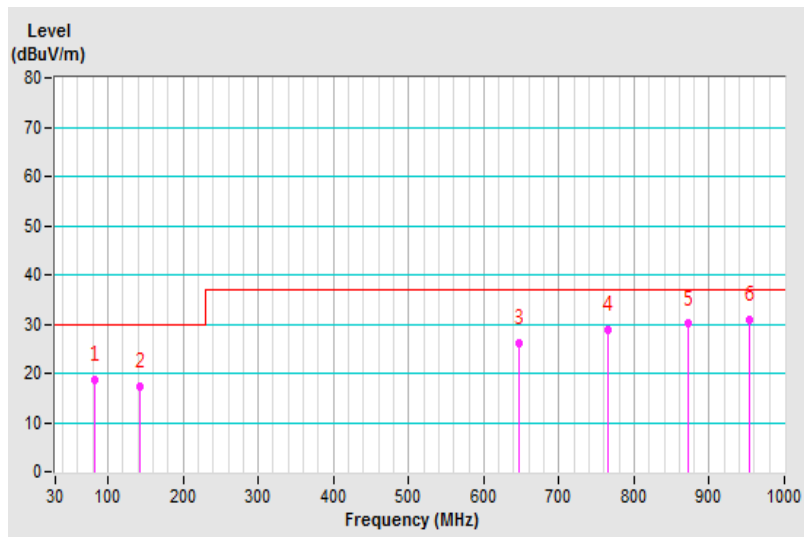
6.4 Test Results

| | | | |
|-----------------|--------------|--|-------------------------|
| Frequency Range | 30MHz ~ 1GHz | Detector Function & Resolution Bandwidth | Quasi-Peak (QP), 120kHz |
| Input Power | 120Vac, 60Hz | Environmental Conditions | 20°C, 60%RH |
| Tested by | Pon Tsai | Test Date | 2015/12/30 |
| Test Mode | Mode 1 | | |

| Antenna Polarity & Test Distance : Horizontal at 10 m | | | | | | | | |
|---|-----------------|-------------------------|----------------|-------------|--------------------|----------------------|------------------|--------------------------|
| No | Frequency (MHz) | Emission Level (dBuV/m) | Limit (dBuV/m) | Margin (dB) | Antenna Height (m) | Table Angle (Degree) | Raw Value (dBuV) | Correction Factor (dB/m) |
| 1 | 82.33 | 18.71 QP | 30.00 | -11.29 | 3.50 H | 167 | 36.26 | -17.55 |
| 2 | 141.85 | 17.35 QP | 30.00 | -12.65 | 3.50 H | 38 | 30.13 | -12.78 |
| 3 | 647.58 | 26.04 QP | 37.00 | -10.96 | 2.00 H | 340 | 28.46 | -2.42 |
| 4 | 764.47 | 28.85 QP | 37.00 | -8.15 | 3.50 H | 34 | 29.06 | -0.21 |
| 5 | 872.54 | 30.02 QP | 37.00 | -6.98 | 4.00 H | 103 | 28.45 | 1.57 |
| 6 | 953.73 | 30.93 QP | 37.00 | -6.07 | 2.00 H | 332 | 27.51 | 3.42 |

Remarks:

1. Emission Level(dBuV/m) = Raw Value(dBuV) + Correction Factor(dB/m)
2. Correction Factor(dB/m) = Antenna Factor (dB/m) + Cable Factor (dB) – Pre-Amplifier Factor (dB)
3. The other emission levels were very low against the limit.
4. Margin value = Emission level – Limit value

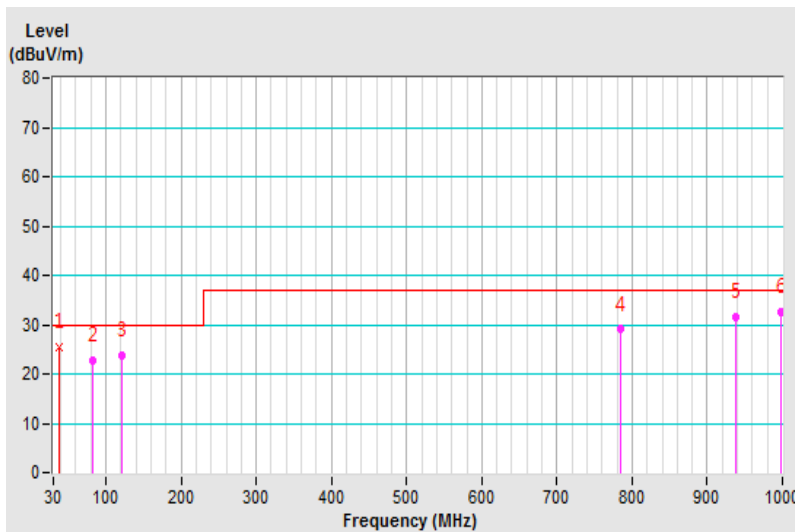


| | | | |
|-----------------|--------------|--|-------------------------|
| Frequency Range | 30MHz ~ 1GHz | Detector Function & Resolution Bandwidth | Quasi-Peak (QP), 120kHz |
| Input Power | 120Vac, 60Hz | Environmental Conditions | 20°C, 60%RH |
| Tested by | Pon Tsai | Test Date | 2015/12/30 |
| Test Mode | Mode 1 | | |

| Antenna Polarity & Test Distance : Vertical at 10 m | | | | | | | | |
|---|-----------------|-------------------------|----------------|-------------|--------------------|----------------------|------------------|--------------------------|
| No | Frequency (MHz) | Emission Level (dBuV/m) | Limit (dBuV/m) | Margin (dB) | Antenna Height (m) | Table Angle (Degree) | Raw Value (dBuV) | Correction Factor (dB/m) |
| 1 | 37.57 | 25.58 QP | 30.00 | -4.42 | 2.00 V | 346 | 37.56 | -11.98 |
| 2 | 82.67 | 22.79 QP | 30.00 | -7.21 | 1.50 V | 244 | 38.89 | -16.10 |
| 3 | 121.91 | 23.66 QP | 30.00 | -6.34 | 1.50 V | 151 | 36.72 | -13.06 |
| 4 | 784.46 | 29.02 QP | 37.00 | -7.98 | 2.50 V | 228 | 27.19 | 1.83 |
| 5 | 937.92 | 31.53 QP | 37.00 | -5.47 | 2.50 V | 7 | 26.51 | 5.02 |
| 6 | 998.79 | 32.54 QP | 37.00 | -4.46 | 4.00 V | 122 | 26.12 | 6.42 |

Remarks:

1. Emission Level(dBuV/m) = Raw Value(dBuV) + Correction Factor(dB/m)
2. Correction Factor(dB/m) = Antenna Factor (dB/m) + Cable Factor (dB) – Pre-Amplifier Factor (dB)
3. The other emission levels were very low against the limit.
4. Margin value = Emission level – Limit value



7 Radiated Emissions above 1 GHz

7.1 Limits

Emissions radiated outside of the specified bands, shall be according to the general radiated limits as following:

| Radiated Emissions Limits at 10 meters (dB μ V/m) | | | | |
|---|-----------------------------|-----------------------------|-------------------|-------------------|
| Frequencies (MHz) | FCC 15B / ICES-003, Class A | FCC 15B / ICES-003, Class B | CISPR 22, Class A | CISPR 22, Class B |
| 1000-3000 | Avg: 49.5 | Avg: 43.5 | Not defined | Not defined |
| Above 3000 | Peak: 69.5 | Peak: 63.5 | Not defined | Not defined |

| Radiated Emissions Limits at 3 meters (dB μ V/m) | | | | |
|--|-----------------------------|-----------------------------|---------------------|---------------------|
| Frequencies (MHz) | FCC 15B / ICES-003, Class A | FCC 15B / ICES-003, Class B | CISPR 22, Class A | CISPR 22, Class B |
| 1000-3000 | Avg: 60 | Avg: 54 | Avg: 56 Peak: 76 | Avg: 50 Peak: 70 |
| Above 3000 | Peak: 80 | Peak: 74 | Avg: 60 Peak: 80 | Avg: 54 Peak: 74 |

- Notes:
1. The lower limit shall apply at the transition frequencies.
 2. Emission level (dB μ V/m) = 20 log Emission level (uV/m).
 3. As shown in 15.35(b), for frequencies above 1000MHz, the field strength limits are based on average detector, however, the peak field strength of any emission shall not exceed the maximum permitted average limits, specified above by more than 20dB under any condition of modulation.

| Radiated Emissions Limits at 1.5 meters (dB μ V/m) | | |
|--|-----------------------------|-----------------------------|
| Frequencies (MHz) | FCC 15B / ICES-003, Class A | FCC 15B / ICES-003, Class B |
| Above 18000 | Avg: 66 Peak: 86 | Avg: 60 Peak: 80 |

Note: Limit@1.5m = Limit@3m + 20log(3/1.5)

Frequency Range (For unintentional radiators)

| Highest frequency generated or used in the device or on which the device operates or tunes (MHz) | Upper frequency of measurement range (MHz) |
|--|--|
| Below 1.705 | 30 |
| 1.705-108 | 1000 |
| 108-500 | 2000 |
| 500-1000 | 5000 |
| Above 1000 | 5th harmonic of the highest frequency or 40GHz, whichever is lower |



7.2 Test Instruments

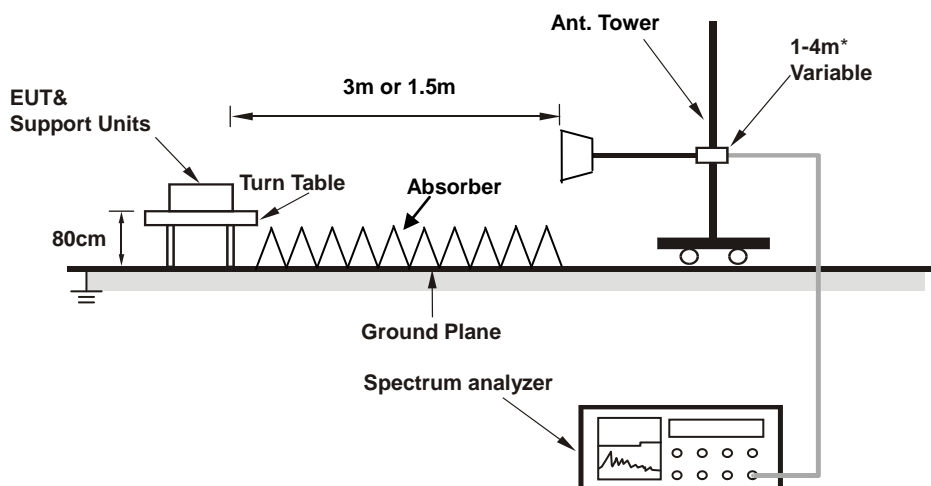
| DESCRIPTION & MANUFACTURER | MODEL NO. | SERIAL NO. | DATE OF CALIBRATION | DUE DATE OF CALIBRATION |
|---|------------------------------------|---|---------------------|-------------------------|
| Test Receiver ROHDE & SCHWARZ | ESR7 | 101471 | Feb. 09, 2015 | Feb. 08, 2016 |
| Spectrum Analyzer Agilent | E4446A | MY51100039 | Aug. 25, 2015 | Aug. 24, 2016 |
| RF signal cable (with 5dB PAD) Woken | 8D-FB | Cable-CH2-01 | Mar. 22, 2015 | Mar. 21, 2016 |
| HORN Antenna (with 4dB PAD) SCHWARZBECK | BBHA 9120 D | 9120D-405 | Feb. 06, 2015 | Feb. 05, 2016 |
| Preamplifier Agilent (Above 1GHz) | 8449B | 3008A01961 | Oct. 18, 2015 | Oct. 17, 2016 |
| RF signal cable ALLTEST | JUNFLON | Cable-CH2-02 (MWX322+MWX22113028S0295) | Nov. 06, 2015 | Nov. 05, 2016 |
| Software BV ADT | BV ADT_Radiated_ V7.6.15.9.4 | NA | NA | NA |
| Antenna Tower BV ADT | AT100 | AT93021702 | NA | NA |
| Turn Table BV ADT | TT100 | TT93021702 | NA | NA |
| Controller BV ADT | SC100 | SC93021702 | NA | NA |
| HORN Antenna (with 3dB PAD) SCHWARZBECK | BBHA 9170 | 148 | Feb. 09, 2015 | Feb. 08, 2016 |
| RF signal cable HUBER+SUHNER | SUCOFLEX 102 | Cable-CH1-03-38218 | Oct. 25, 2015 | Oct. 24, 2016 |
| RF signal cable HUBER+SUHNER | SUCOFLEX 102 | Cable-CH1-04-37433 | Oct. 25, 2015 | Oct. 24, 2016 |
| Fix tool for Boresight antenna tower | BAF-01 | 2 | NA | NA |
| Pre-amplifier (18GHz-40GHz) EMC | EMC184045B | 980175 | Nov. 07, 2015 | Nov. 06, 2016 |

- Note:**
1. The calibration interval of the above test instruments is 12 months and the calibrations are traceable to NML/ROC and NIST/USA.
 2. The test was performed in HwaYa Chamber 2.
 3. The horn antenna and HP preamplifier (model: 8449B) are used only for the measurement of emission frequency above 1GHz if tested.
 4. The FCC Site Registration No. is 686814.
 5. The IC Site Registration No. is IC 7450F-2.
 6. The VCCI Site Registration No. is G-18.

7.3 Test Arrangement

- The EUT was placed on the top of a rotating table 0.8 meters above the ground at an accredited chamber room. The table was rotated 360 degrees to determine the position of the highest radiation.
- The EUT was set 3 meters away from the interference-receiving antenna, which was mounted on the top of a variable-height antenna tower.
- For frequency range 1GHz ~ 18GHz, the EUT was set 3 meters away from the interference-receiving antenna, which was mounted on the top of a variable-height antenna tower.
- For frequency range 18GHz ~ 40GHz, the EUT was set 1.5 meters away from the interference-receiving antenna, which was mounted on the top of a variable-height antenna tower.
- The height of antenna can be varied from one meter to four meters, the height of adjustment depends on the EUT height and the antenna 3dB beamwidth both, to detect the maximum value of the field strength. Both horizontal and vertical polarizations of the antenna are set to make the measurement.
- For each suspected emission, the EUT was arranged to its worst case and then the antenna was tuned to heights and the rotatable table was turned from 0 degrees to 360 degrees to find the maximum reading.
- The spectrum analyzer system was set to peak and average detect function and specified bandwidth with maximum hold mode when the test frequency is above 1 GHz.

Note: The resolution bandwidth of test receiver/spectrum analyzer is 1MHz and video bandwidth is 3MHz for Peak detection (PK) at frequency above 1GHz. The resolution bandwidth of test receiver/spectrum analyzer is 1 MHz for Average detection (AV) at frequency above 1GHz.



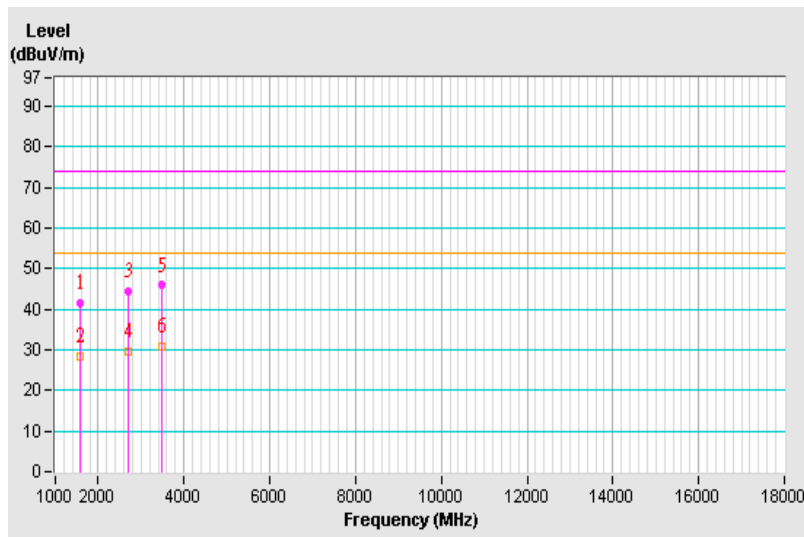
7.4 Test Results

| | | | |
|-----------------|--------------|--|--------------------------------|
| Frequency Range | 1GHz ~ 18GHz | Detector Function & Resolution Bandwidth | Peak (PK) / Average (AV), 1MHz |
| Input Power | 120Vac, 60Hz | Environmental Conditions | 16°C, 64%RH |
| Tested by | Fox Chang | Test Date | 2015/12/30 |
| Test Mode | Mode 1 | | |

| Antenna Polarity & Test Distance : Horizontal at 3 m | | | | | | | | |
|--|-----------------|-------------------------|----------------|-------------|--------------------|----------------------|------------------|--------------------------|
| No | Frequency (MHz) | Emission Level (dBuV/m) | Limit (dBuV/m) | Margin (dB) | Antenna Height (m) | Table Angle (Degree) | Raw Value (dBuV) | Correction Factor (dB/m) |
| 1 | 1585.28 | 41.66 PK | 74.00 | -32.34 | 1.42 H | 291 | 43.24 | -1.58 |
| 2 | 1585.28 | 28.53 AV | 54.00 | -25.47 | 1.42 H | 291 | 30.11 | -1.58 |
| 3 | 2716.40 | 44.53 PK | 74.00 | -29.47 | 1.61 H | 5 | 42.80 | 1.73 |
| 4 | 2716.40 | 29.77 AV | 54.00 | -24.23 | 1.61 H | 5 | 28.04 | 1.73 |
| 5 | 3494.69 | 46.16 PK | 74.00 | -27.84 | 1.00 H | 195 | 42.79 | 3.37 |
| 6 | 3494.69 | 31.03 AV | 54.00 | -22.97 | 1.00 H | 195 | 27.66 | 3.37 |

Remarks:

1. Emission Level(dBuV/m) = Raw Value(dBuV) + Correction Factor(dB/m)
2. Correction Factor(dB/m) = Antenna Factor (dB/m) + Cable Factor (dB) – Pre-Amplifier Factor (dB)
3. The other emission levels were very low against the limit.
4. Margin value = Emission level – Limit value



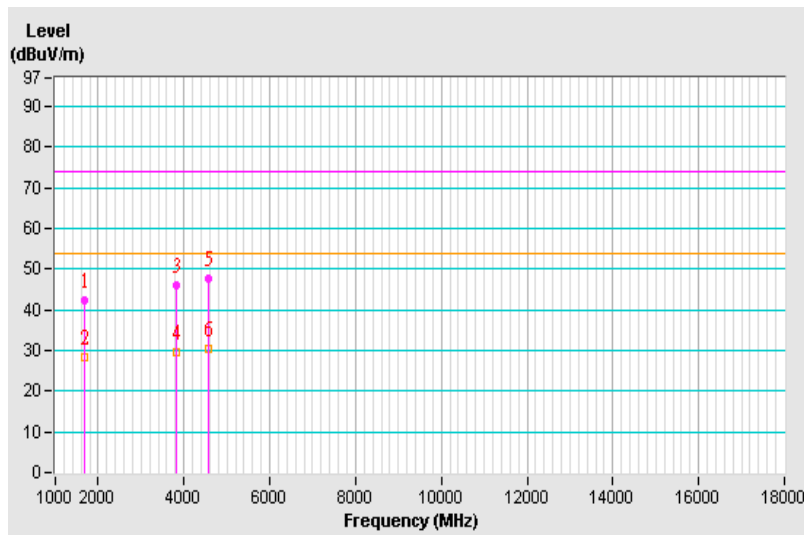
| | | | |
|-----------------|--------------|--|--------------------------------|
| Frequency Range | 1GHz ~ 18GHz | Detector Function & Resolution Bandwidth | Peak (PK) / Average (AV), 1MHz |
| Input Power | 120Vac, 60Hz | Environmental Conditions | 16°C, 64%RH |
| Tested by | Fox Chang | Test Date | 2015/12/30 |
| Test Mode | Mode 1 | | |

Antenna Polarity & Test Distance : Vertical at 3 m

| No | Frequency (MHz) | Emission Level (dBuV/m) | Limit (dBuV/m) | Margin (dB) | Antenna Height (m) | Table Angle (Degree) | Raw Value (dBuV) | Correction Factor (dB/m) |
|----|-----------------|-------------------------|----------------|-------------|--------------------|----------------------|------------------|--------------------------|
| 1 | 1670.37 | 42.35 PK | 74.00 | -31.65 | 1.23 V | 19 | 43.85 | -1.50 |
| 2 | 1670.37 | 28.31 AV | 54.00 | -25.69 | 1.23 V | 19 | 29.81 | -1.50 |
| 3 | 3814.31 | 45.89 PK | 74.00 | -28.11 | 1.35 V | 244 | 41.43 | 4.46 |
| 4 | 3814.31 | 29.56 AV | 54.00 | -24.44 | 1.35 V | 144 | 25.10 | 4.46 |
| 5 | 4553.17 | 47.80 PK | 74.00 | -26.20 | 1.27 V | 70 | 41.44 | 6.36 |
| 6 | 4553.17 | 30.55 AV | 54.00 | -23.45 | 1.27 V | 70 | 24.19 | 6.36 |

Remarks:

1. Emission Level(dBuV/m) = Raw Value(dBuV) + Correction Factor(dB/m)
2. Correction Factor(dB/m) = Antenna Factor (dB/m) + Cable Factor (dB) - Pre-Amplifier Factor (dB)
3. The other emission levels were very low against the limit.
4. Margin value = Emission level - Limit value

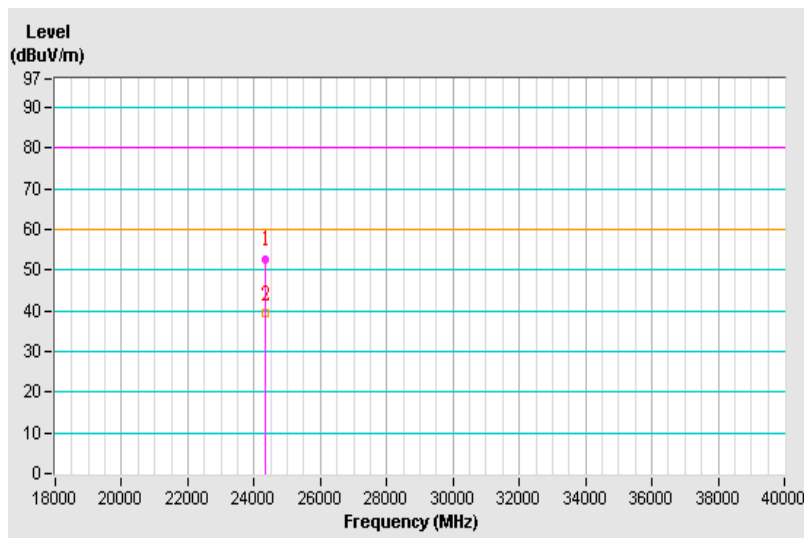


| | | | |
|-----------------|---------------|--|--------------------------------|
| Frequency Range | 18GHz ~ 40GHz | Detector Function & Resolution Bandwidth | Peak (PK) / Average (AV), 1MHz |
| Input Power | 120Vac, 60Hz | Environmental Conditions | 16°C, 64%RH |
| Tested by | Fox Chang | Test Date | 2015/12/30 |
| Test Mode | Mode 1 | | |

| Antenna Polarity & Test Distance : Horizontal at 3 m | | | | | | | | |
|--|-----------------|-------------------------|----------------|-------------|--------------------|----------------------|------------------|--------------------------|
| No | Frequency (MHz) | Emission Level (dBuV/m) | Limit (dBuV/m) | Margin (dB) | Antenna Height (m) | Table Angle (Degree) | Raw Value (dBuV) | Correction Factor (dB/m) |
| 1 | 24330.82 | 52.75 PK | 80.00 | -27.25 | 1.00 H | 95 | 51.03 | 1.72 |
| 2 | 24330.82 | 39.42 AV | 60.00 | -20.58 | 1.00 H | 95 | 37.70 | 1.72 |

Remarks:

1. Emission Level(dBuV/m) = Raw Value(dBuV) + Correction Factor(dB/m)
2. Correction Factor(dB/m) = Antenna Factor (dB/m) + Cable Factor (dB) – Pre-Amplifier Factor (dB)
3. The other emission levels were very low against the limit.
4. Margin value = Emission level – Limit value

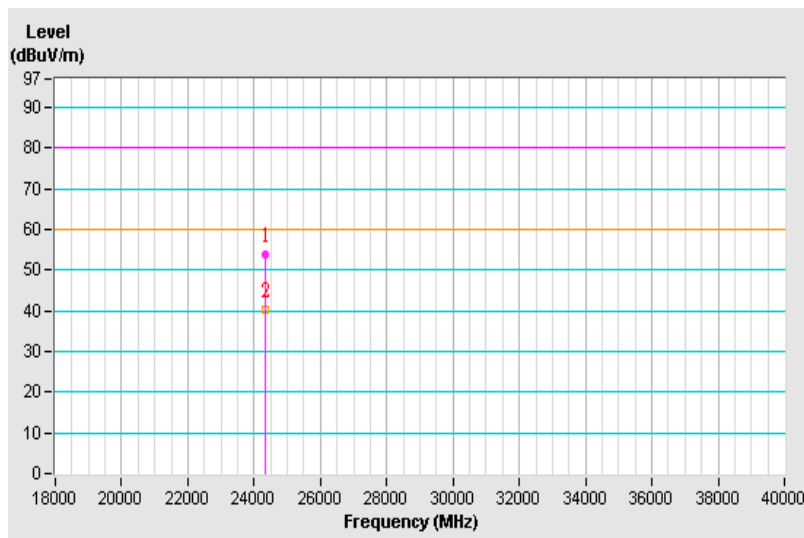


| | | | |
|-----------------|---------------|--|--------------------------------|
| Frequency Range | 18GHz ~ 40GHz | Detector Function & Resolution Bandwidth | Peak (PK) / Average (AV), 1MHz |
| Input Power | 120Vac, 60Hz | Environmental Conditions | 16°C, 64%RH |
| Tested by | Fox Chang | Test Date | 2015/12/30 |
| Test Mode | Mode 1 | | |

| Antenna Polarity & Test Distance : Vertical at 1.5 m | | | | | | | | |
|--|-----------------|-------------------------|----------------|-------------|--------------------|----------------------|------------------|--------------------------|
| No | Frequency (MHz) | Emission Level (dBuV/m) | Limit (dBuV/m) | Margin (dB) | Antenna Height (m) | Table Angle (Degree) | Raw Value (dBuV) | Correction Factor (dB/m) |
| 1 | 24332.56 | 53.86 PK | 80.00 | -26.14 | 1.00 V | 171 | 52.12 | 1.74 |
| 2 | 24332.56 | 40.12 AV | 60.00 | -19.88 | 1.00 V | 171 | 38.38 | 1.74 |

Remarks:

1. Emission Level(dBuV/m) = Raw Value(dBuV) + Correction Factor(dB/m)
2. Correction Factor(dB/m) = Antenna Factor (dB/m) + Cable Factor (dB) – Pre-Amplifier Factor (dB)
3. The other emission levels were very low against the limit.
4. Margin value = Emission level – Limit value



8 Pictures of Test Arrangements

Refer to the attached file (Test Setup Photo).



Appendix – Information on the Testing Laboratories

We, Bureau Veritas Consumer Products Services (H.K.) Ltd., Taoyuan Branch, were founded in 1988 to provide our best service in EMC, Radio, Telecom and Safety consultation. Our laboratories are accredited and approved according to ISO/IEC 17025.

If you have any comments, please feel free to contact us at the following:

Linko EMC/RF Lab

Tel: 886-2-26052180

Fax: 886-2-26051924

Hsin Chu EMC/RF/Telecom Lab

Tel: 886-3-6668565

Fax: 886-3-6668323

Hwa Ya EMC/RF/Safety Lab

Tel: 886-3-3183232

Fax: 886-3-3270892

Email: service.adt@tw.bureauveritas.com

Web Site: www.bureauveritas-adt.com

The address and road map of all our labs can be found in our web site also.

--- END ---