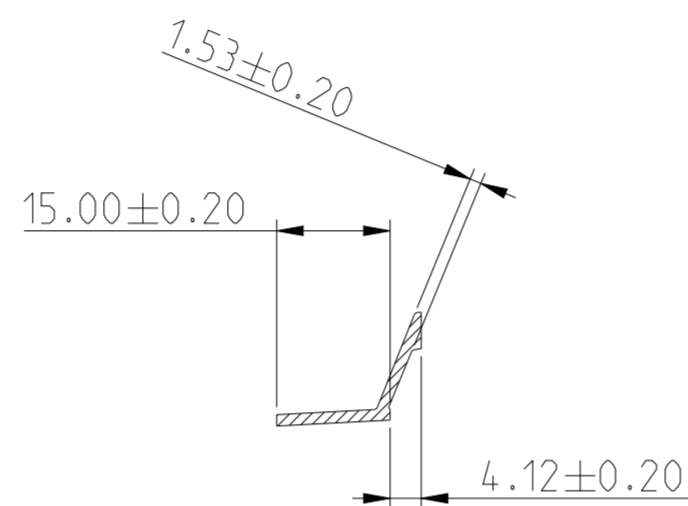
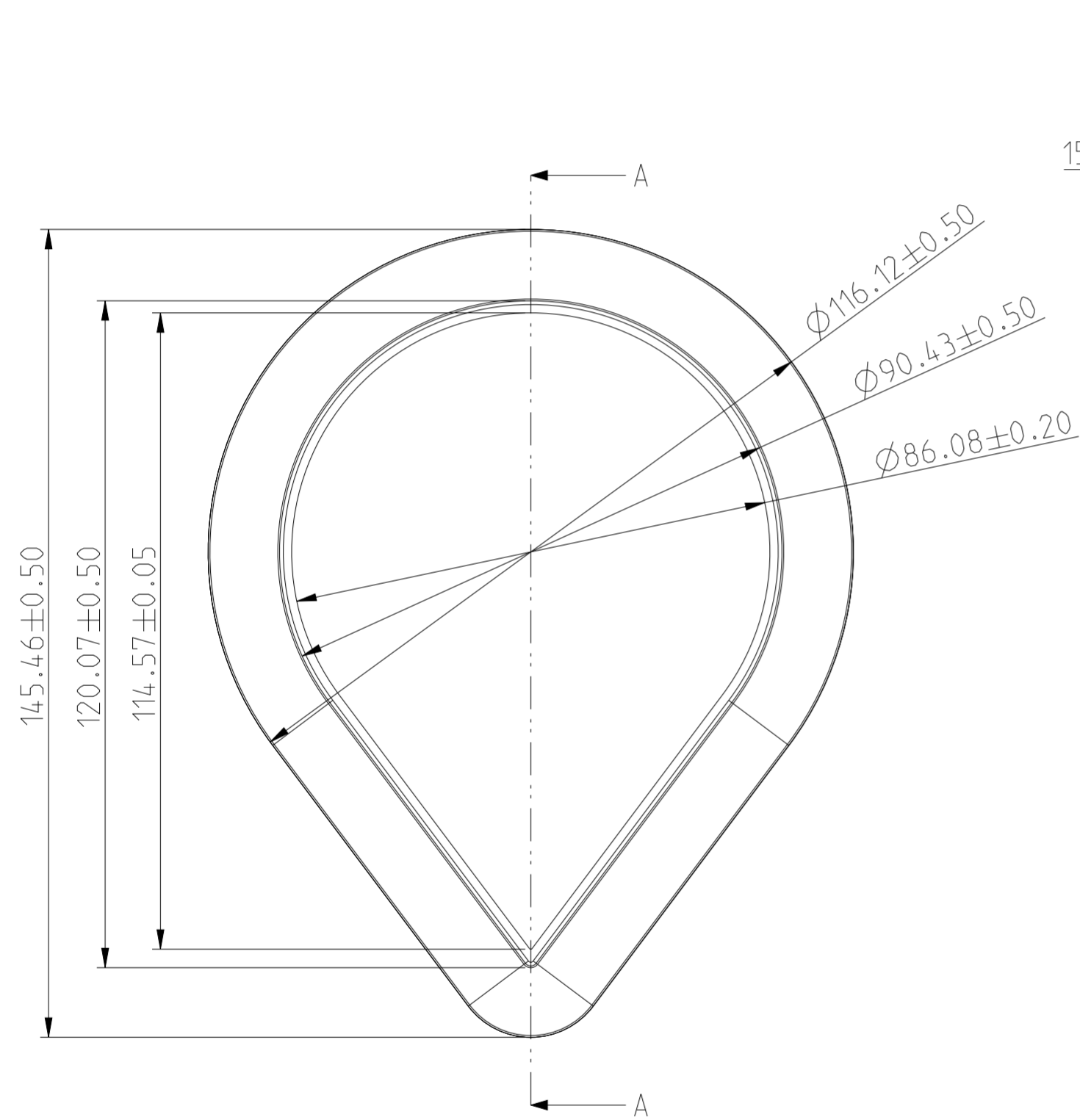
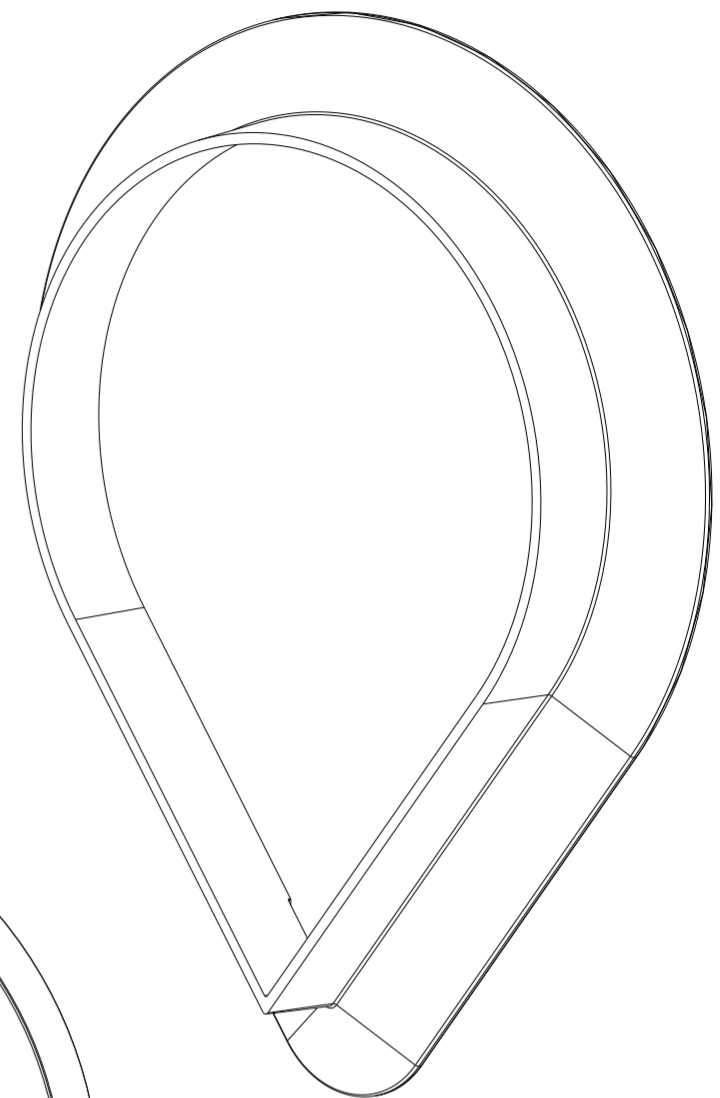
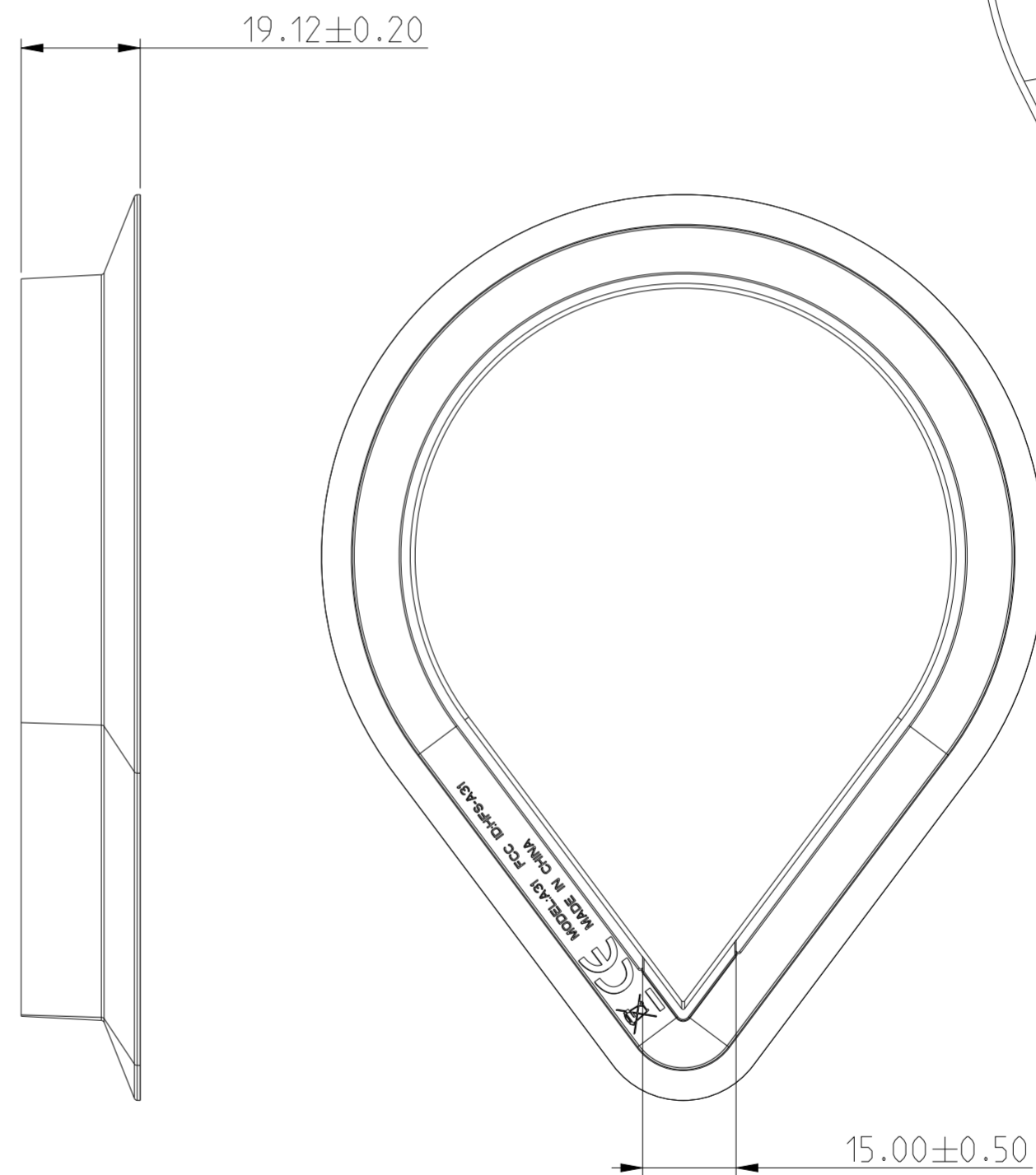


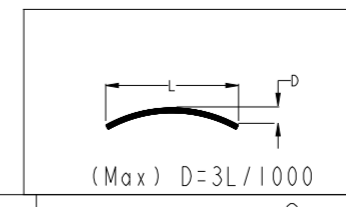
REVISIONS			
LTR	DESCRIPTION	DATE	APP
2B			
2C			
2D			



SECTION A-A



NOTE:
SURFACE TREATMENT: POLISHED 8000
COLOR: PANTONE 152C



1	EAA31001010	FRAME A31 (EAA31001, REV3A)	
ITEM	PART NO.	DESCRIPTION	
Quanta Computer Inc.			MODEL 31
NAME	FRAME A31	APPROVED FRANKIE LO	
TOL. \pm	1 PLC V	2 PLC	ANGLE
MATERIAL	PC+ABS	UNIT	MM
FINISH	TBD	SCALE	.000
THE 3RD PROJECTION		DATE	04-Jun-14
		REV	1A
		DWG. NO.	EAA3100101
			1/1