



FCC TEST REPORT

REPORT NO.: RF920619H03A

MODEL NO.: J8130A

RECEIVED: Jul. 23, 2003

TESTED: Aug. 14 to 19, 2003

APPLICANT: Accton Technology Corporation

ADDRESS: No.1, Creation Rd. III, Science-based Industrial
Park, Hsinchu, Taiwan, R.O.C.

ISSUED BY: Advance Data Technology Corporation

LAB LOCATION: No. 81-1, Lu Liao Keng, 9 Ling, Wu Lung Tsuen,
Chiung Lin Hsiang, Hsin Chu Hsien,
Taiwan, R.O.C.

This test report consists of 47 pages in total. It may be duplicated completely for legal use with the approval of the applicant. It should not be reproduced except in full, without the written approval of our laboratory. The client should not use it to claim product endorsement by NVLAP or any government agencies. The test results in the report only apply to the tested sample.



Lab Code: 200376-0



Table of Contents

1	CERTIFICATION.....	4
2	SUMMARY OF TEST RESULTS.....	5
3	GENERAL INFORMATION	6
3.1	GENERAL DESCRIPTION OF EUT.....	6
3.2	DESCRIPTION OF TEST MODES.....	8
3.3	GENERAL DESCRIPTION OF APPLIED STANDARDS	8
3.4	DESCRIPTION OF SUPPORT UNITS.....	9
4	TEST TYPES AND RESULTS	13
4.1	CONDUCTED EMISSION MEASUREMENT.....	13
4.1.1	LIMITS OF CONDUCTED EMISSION MEASUREMENT.....	13
4.1.2	TEST INSTRUMENTS	13
4.1.3	TEST SETUP	14
4.1.4	EUT OPERATING CONDITIONS	15
4.1.5	TEST RESULTS.....	16
4.2	Radiated Emission Measurement.....	20
4.2.1	LIMITS OF RADIATED EMISSION MEASUREMENT.....	20
4.2.2	TEST INSTRUMENTS	21
4.2.3	TEST PROCEDURES	22
4.2.4	TEST SETUP	23
4.2.5	EUT OPERATING CONDITIONS	23
4.2.6	TEST RESULTS.....	24
4.2.7	TEST RESULTS - DSSS.....	26
4.2.8	TEST RESULTS -OFDM.....	29
4.3	MAXIMUM PEAK OUTPUT POWER	32
4.3.1	LIMITS OF MAXIMUM PEAK OUTPUT POWER MEASUREMENT	32
4.3.2	TEST INSTRUMENTS	32
4.3.3	TEST PROCEDURES	33
4.3.4	TEST SETUP	33
4.3.5	EUT OPERATING CONDITIONS	33
4.3.6	TEST RESULTS-DSSS	34
4.3.7	TEST RESULTS-OFDM	34
4.4	BAND EDGES MEASUREMENT.....	35
4.4.1	LIMITS OF BAND EDGES MEASUREMENT.....	35



4.4.2	TEST INSTRUMENTS	35
4.4.3	TEST PROCEDURE	35
4.4.4	EUT OPERATING CONDITION.....	35
4.4.5	TEST RESULTS - DSSS.....	36
4.4.6	TEST RESULTS-OFDM	39
4.5	ANTENNA REQUIREMENT.....	42
4.5.1	STANDARD APPLICABLE.....	42
4.5.2	ANTENNA CONNECTED CONSTRUCTION	42
5	PHOTOGRAPHS OF THE TEST CONFIGURATION.....	43
6	INFORMATION ON THE TESTING LABORATORIES.....	47



1 CERTIFICATION

PRODUCT : hp procurve wireless AP 420 na
BRAND NAME : HP
MODEL NO. : J8130A
APPLICANT : Accton Technology Corporation
STANDARDS : 47 CFR Part 15, Subpart C (Section 15.247),
ANSI C63.4-1992

We, **Advance Data Technology Corporation**, hereby certify that one sample of the designation has been tested in our facility from Aug. 14 to 19, 2003. The test record, data evaluation and Equipment Under Test (EUT) configurations represented herein are true and accurate accounts of the measurements of the sample's EMC characteristics under the conditions herein specified.

PREPARED BY: Amanda Chu , **DATE:** Aug. 27, 2003
(Amanda Chu)

APPROVED BY: Eric Lin , **DATE:** Aug. 27, 2003
(Eric Lin, Manager)



2 SUMMARY OF TEST RESULTS

The EUT has been tested according to the following specifications:

APPLIED STANDARD: 47 CFR Part 15, Subpart C			
Standard Section	Test Type and Limit	Result	REMARK
15.207	AC Power Conducted Emission Limit: 48dBuV	PASS	Meet the requirement of limit Minimum passing margin is -6.79 dBuV at 0.556 MHz
15.247(b)	Maximum Peak Output Power Limit: max. 30dBm	PASS	Meet the requirement of limit
15.247(c)	Transmitter Radiated Emissions Limit: Table 15.209	PASS	Meet the requirement of limit Minimum passing margin is -1.3 dBuV at 2483.50MHz
15.247(c)	Band Edge Measurement Limit: 20 dB less than the peak value of fundamental frequency	PASS	Meet the requirement of limit

NOTE: This report is prepared for FCC class II permissive change. Only conducted emission, radiated emission, Maximum Peak Output Power and Band Edge Measurement conducted emission were presented in this test report.

3 GENERAL INFORMATION

3.1 GENERAL DESCRIPTION OF EUT

PRODUCT	hp procurve wireless AP 420 na
MODEL NO.	J8130A
POWER SUPPLY	3.3VDC from AC Adapter
MODULATION TYPE	CCK, OFDM, DBPSK, DQPSK
RADIO TECHNOLOGY	DSSS, OFDM
TRANSFER RATE	1/2/5.5/6/9/11/12/18/24/36/48/54Mbps
FREQUENCY RANGE	2412MHz ~ 2462MHz
NUMBER OF CHANNEL	11
OUTPUT POWER	15.69dBm
ANTENNA TYPE	Swivel dipole Antenna
DATA CABLE	NA
I/O PORTS	RJ 45 (WAN) Port x 1, Console Port x 1
ASSOCIATED DEVICES	NA

NOTE:

1. This report is prepared for FCC class II permissive change. The difference compared with the original design is as the following:

- ◆ Change one adapter:

Original Adapter:	
Brand:	PHIHONG
Model No.:	PSA18U-033A-1
Input power :	100~240Vac 0.5A 50-60Hz
Output power :	3.3Vdc 4.0A
New Adapter:	
Brand:	DVE
Model No.:	DSA-012D-03
Input power :	100-240Vac 0.4A 50/60Hz
Output power :	+3.3Vdc 4.0A



2. The EUT was powered either adapter or POE (Power Over Ethernet):

Adapter:	
Brand:	DVE
Model No.:	DSA-012D-03
Input power :	100-240Vac 0.4A 50/60Hz
Output power :	+3.3Vdc 4.0A

POE:	
Brand:	PowerDsine
Model No.:	PowerDsine 6006
Input power :	AC 100-240V, 4-2A, 50/60Hz
Output power :	DC 48V
*The POE supplied power to EUT via POE port, only used on testing.	

3. The EUT operates in the 2.4GHz frequency spectrum with throughput of up to 54Mbps.
4. The EUT complies with IEEE 802.11g draft standards, and backwards compatible with IEEE 802.11b products.
5. Only conducted emission, radiated emission, Maximum Peak Output Power and Band Edge Measurement conducted emission were presented in this test report.
6. For a more detailed features description, please refer to the manufacturer's specifications or User's Manual.



3.2 DESCRIPTION OF TEST MODES

Eleven channels are provided in this EUT.

Channel	Frequency	Channel	Frequency
1	2412 MHz	7	2442 MHz
2	2417 MHz	8	2447 MHz
3	2422 MHz	9	2452 MHz
4	2427 MHz	10	2457 MHz
5	2432 MHz	11	2462 MHz
6	2437 MHz		

NOTE:

1. Below 1 GHz, the channel 1, 6, and 11 were pre-tested in chamber. The channel 11, worst case one, was chosen for final test.
2. Above 1 GHz, the channel 1, 6, and 11 were tested individually.
3. Transfer rate, 11Mbps with CCK technique and 6Mbps with OFDM technique, the worst case, were chosen for final test.

3.3 GENERAL DESCRIPTION OF APPLIED STANDARDS

The EUT is an hp procurve wireless AP 420 na. According to the specifications of the manufacturer, it must comply with the requirements of the following standards:

47 CFR Part 15, Subpart C. (15.247)
ANSI C63.4 : 1992

All tests have been performed and recorded as per the above standards.

NOTE: The EUT is also considered as a kind of computer peripheral, because the connection to computer is necessary for typical use. It has been verified to comply with the requirements of 47CFR Part 15, Subpart B, Class B (DoC). The test report has been issued separately.



3.4 DESCRIPTION OF SUPPORT UNITS

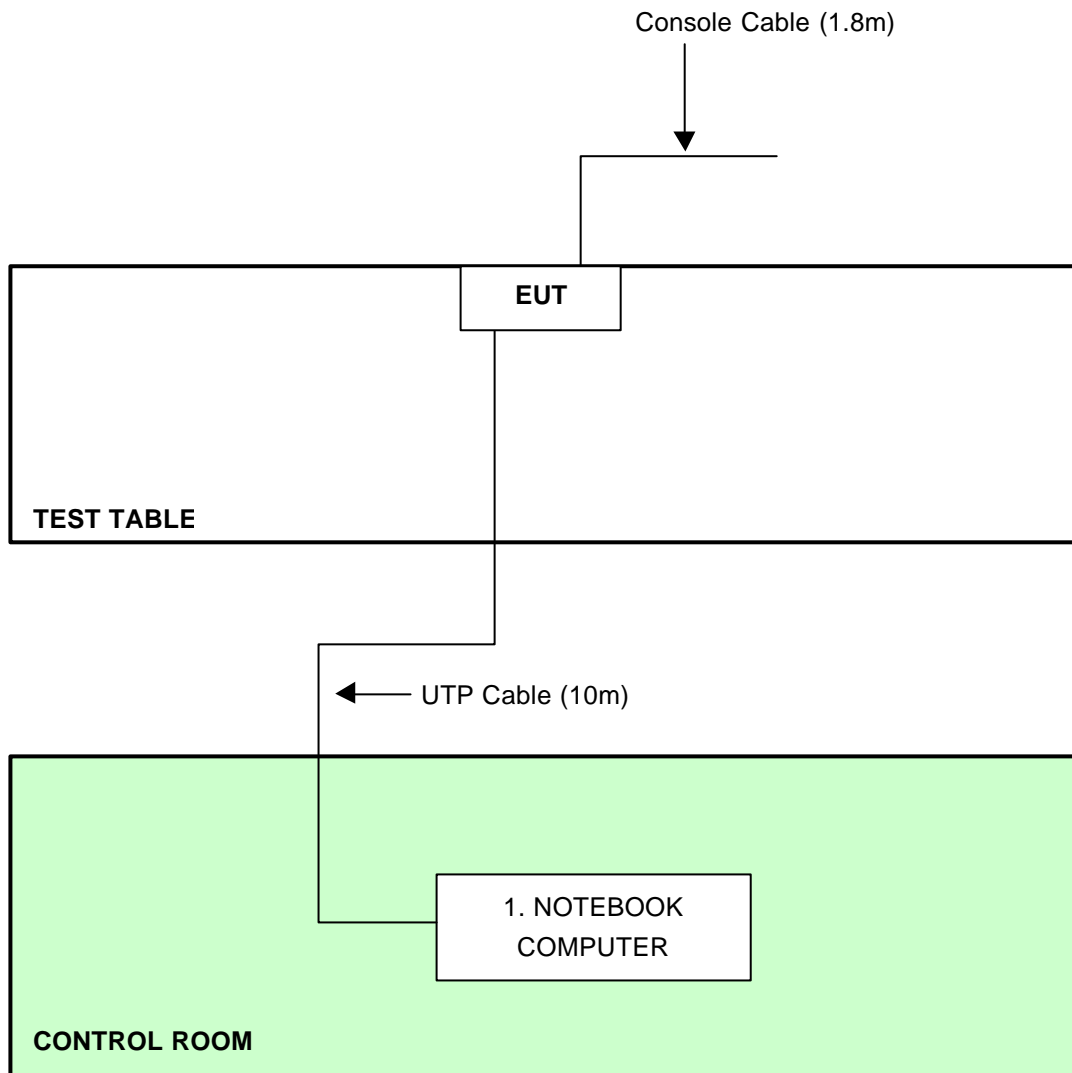
The EUT has been tested as an independent unit together with other necessary accessories or support units. The following support units or accessories were used to form a representative test configuration during the tests.

No.	Product	Brand	Model No.	Serial No.	FCC ID
1	NOTEBOOK	DELL	PP01L	TW-09C748-12800-17Q-C504	FCC DoC

No.	Signal cable description
1	NA

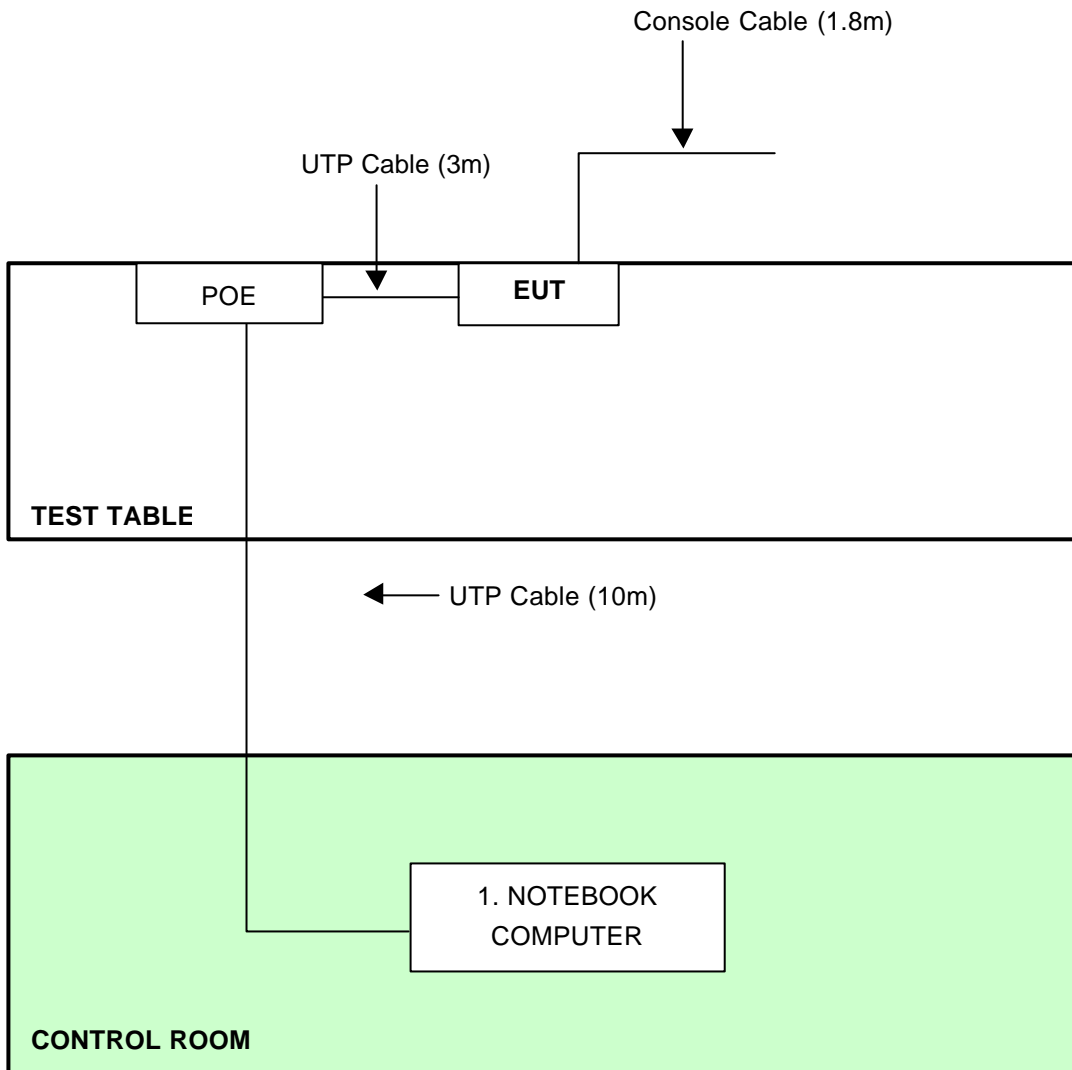
Note: 1. All power cords of the above support units are unshielded (1.8m).

WITH ADAPTER:



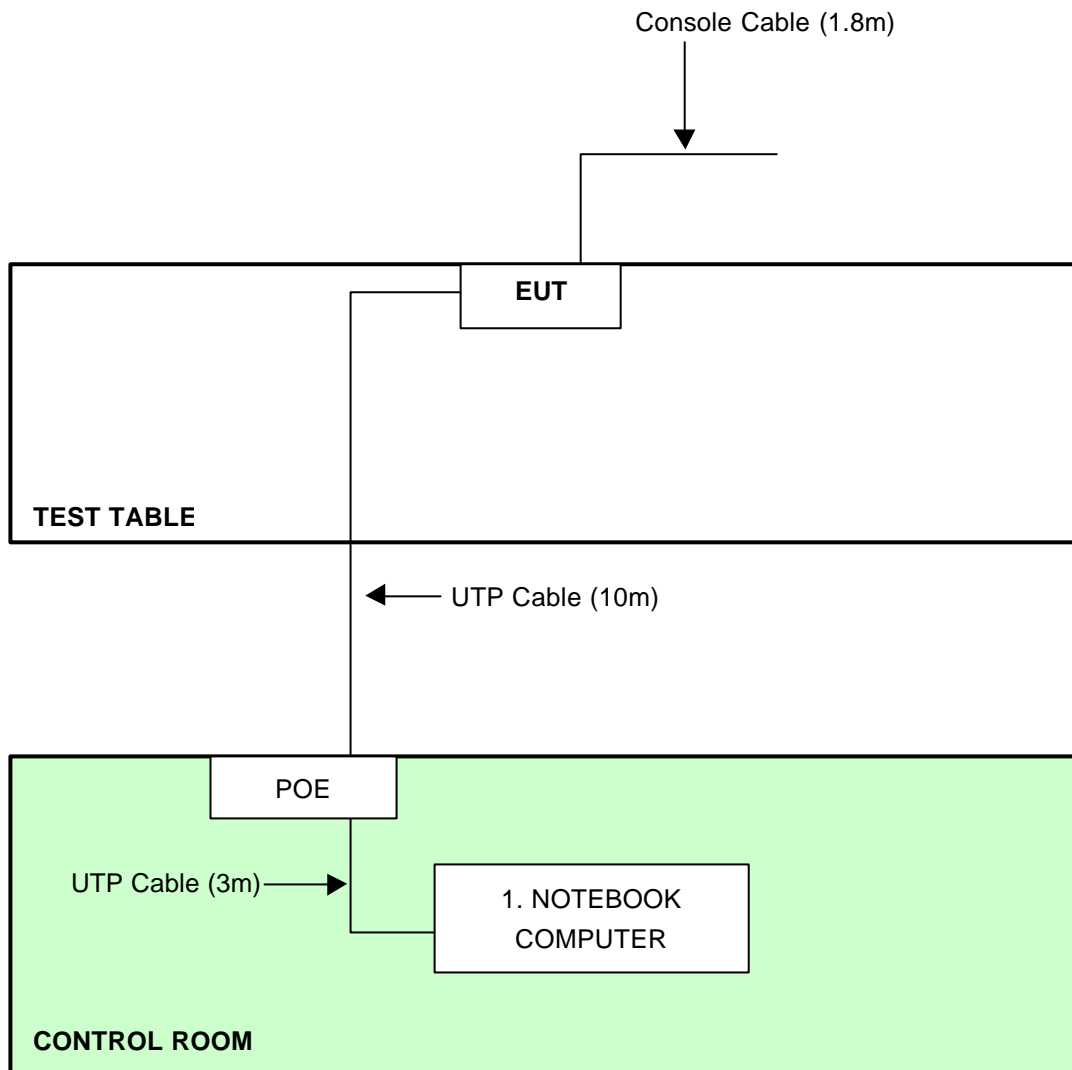
- NOTE:** 1. Support unit 1 was kept in the control room during the test.
2. Please refer to the photos of test configuration in Item 5 also.

WITH POE: For Conducted test



NOTE: 1. Support unit 1 was kept in the control room during the test.
2. Please refer to the photos of test configuration in Item 5 also.

WITH POE: For Radiated test



- NOTE:** 1. Support unit 1 was kept in the control room during the test.
2. Please refer to the photos of test configuration in Item 5 also.



4 TEST TYPES AND RESULTS

4.1 CONDUCTED EMISSION MEASUREMENT

4.1.1 LIMITS OF CONDUCTED EMISSION MEASUREMENT

FREQUENCY OF EMISSION (MHz)	CONDUCTED LIMIT (dB μ V)	
	Quasi-peak	Average
0.15-0.5	66 to 56	56 to 46
0.5-5	56	46
5-30	60	50

- NOTE:**
1. The lower limit shall apply at the transition frequencies.
 2. The limit decreases in line with the logarithm of the frequency in the range of 0.15 to 0.50 MHz.
 3. All emanations from a class A/B digital device or system, including any network of conductors and apparatus connected thereto, shall not exceed the level of field strengths specified above.

4.1.2 TEST INSTRUMENTS

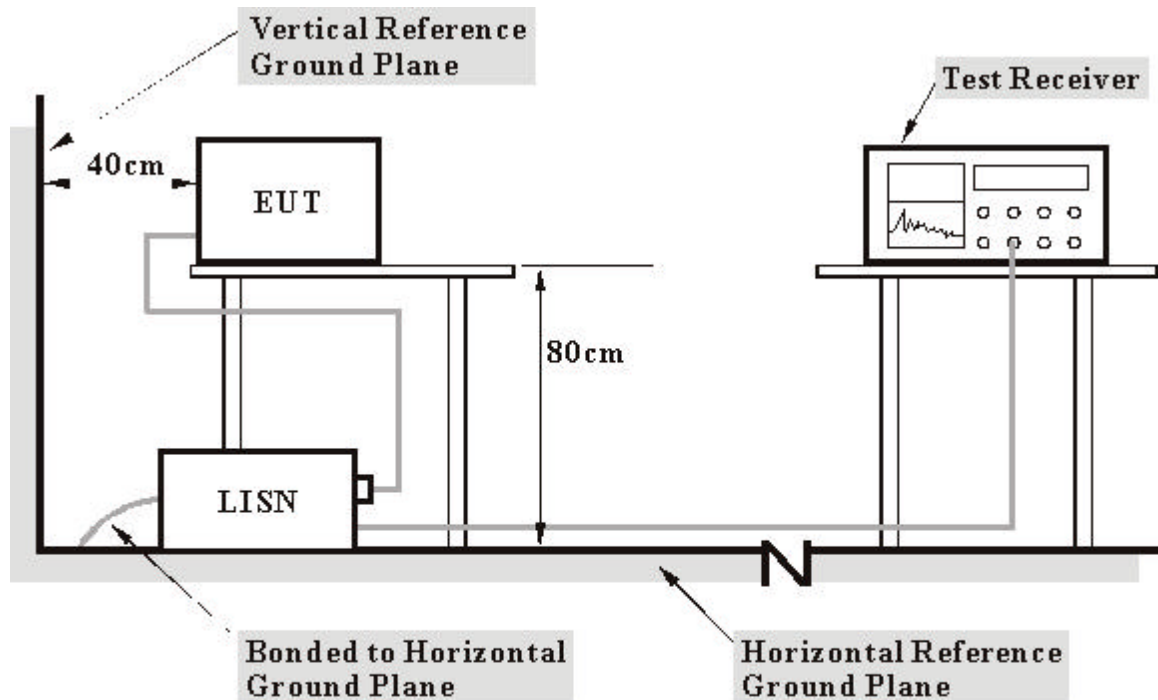
DESCRIPTION & MANUFACTURER	MODEL NO.	SERIAL NO.	CALIBRATED UNTIL
ROHDE & SCHWARZ Test Receiver	ESCS 30	847124/029	Nov. 17, 2003
ROHDE & SCHWARZ LISN (for EUT)	ESHS-Z5	848773/004	Nov. 13, 2003
KYORITSU LISN (for peripheral)	KNW-407	8/1395/12	Jul. 23, 2004
RF Cable (JETBAO)	RG233/U	Cable_CA_01	Jul. 03, 2004
Terminator(for KYORITSU)	50	3	Apr. 11, 2004
Software	Cond-V2e	NA	NA

- NOTE:**
1. The calibration interval of the above test instruments is 12 months and the calibrations are traceable to NML/ROC and NIST/USA.
 2. The test was performed in ADT Shielded Room No. A.
 3. The VCCI Con A Registration No. is C-817.

3. TEST PROCEDURES

- The EUT was placed 0.4 meters from the conducting wall of the shielded room with EUT being connected to the power mains through a line impedance stabilization network (LISN). Other support units were connected to the power mains through another LISN. The two LISNs provide 50 ohm/ 50uH of coupling impedance for the measuring instrument.
- Both lines of the power mains connected to the EUT were checked for maximum conducted interference.
- The frequency range from 150 kHz to 30 MHz was searched. Emission levels over 10dB under the prescribed limits could not be reported

4.1.3 TEST SETUP



- Note:**
- Support units were connected to second LISN.
 - Both of LISNs (AMN) 80 cm from EUT and at the least 80 cm from other units and other metal planes support units.

For the actual test configuration, please refer to the related item – Photographs of the Test Configuration.



4.1.4 EUT OPERATING CONDITIONS

- a. Placed the EUT on the testing table.
- b. Prepared another computer system to act as a communication partner and placed it outside of testing area.
- c. The communication partner run a test program to enable EUT under transmission/receiving condition continuously at specific channel frequency via RJ 45 cable and wireless.
- d. The communication partner sent data to EUT by command "PING".

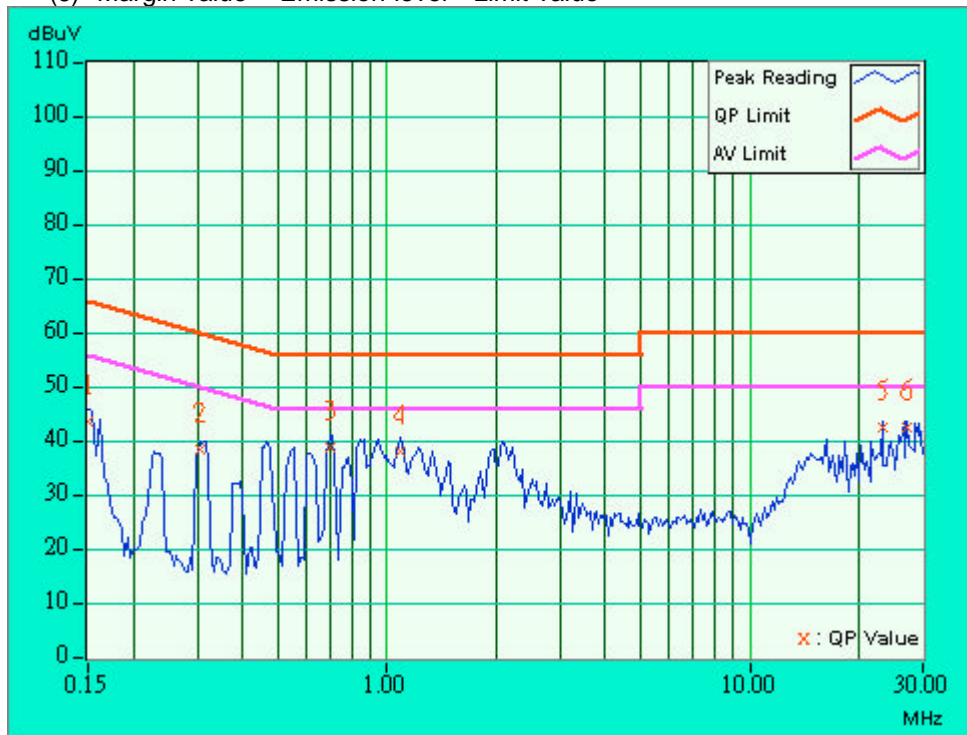


4.1.5 TEST RESULTS

EUT	hp procure wireless AP 420 na	MODEL	J8130A
MODE	With Adapter, Channel 11	6dB BANDWIDTH	9 kHz
INPUT POWER (SYSTEM)	120Vac, 60 Hz	PHASE	Line (L)
ENVIRONMENTAL CONDITIONS	24 deg. C, 57%RH, 969 hPa	TESTED BY	Tony Chen

No	Freq. [MHz]	Corr. Factor (dB)	Reading Value [dB (uV)]		Emission Level [dB (uV)]		Limit [dB (uV)]		Margin (dB)	
			Q.P.	AV.	Q.P.	AV.	Q.P.	AV.	Q.P.	AV.
1	0.150	0.20	42.40	-	42.60	-	66.00	56.00	-23.40	-
2	0.306	0.20	37.31	-	37.51	-	60.07	50.07	-22.56	-
3	0.697	0.25	37.74	-	37.99	-	56.00	46.00	-18.01	-
4	1.091	0.30	36.99	-	37.29	-	56.00	46.00	-18.71	-
5	23.129	1.26	41.27	-	42.53	-	60.00	50.00	-17.47	-
6	27.160	1.30	41.15	-	42.45	-	60.00	50.00	-17.55	-

- NOTES:** (1) "*" : Undetectable
 (2) Q.P. and AV. are abbreviations of quasi-peak and average.
 (3) "-" : The Quasi-peak reading value also meets an average limit, thus measurement with the average detector is unnecessary.
 (4) The emission levels of other frequencies were very low against the limit.
 (5) Correction Factor = Insertion loss + Cable loss
 (6) Margin value = Emission level - Limit value

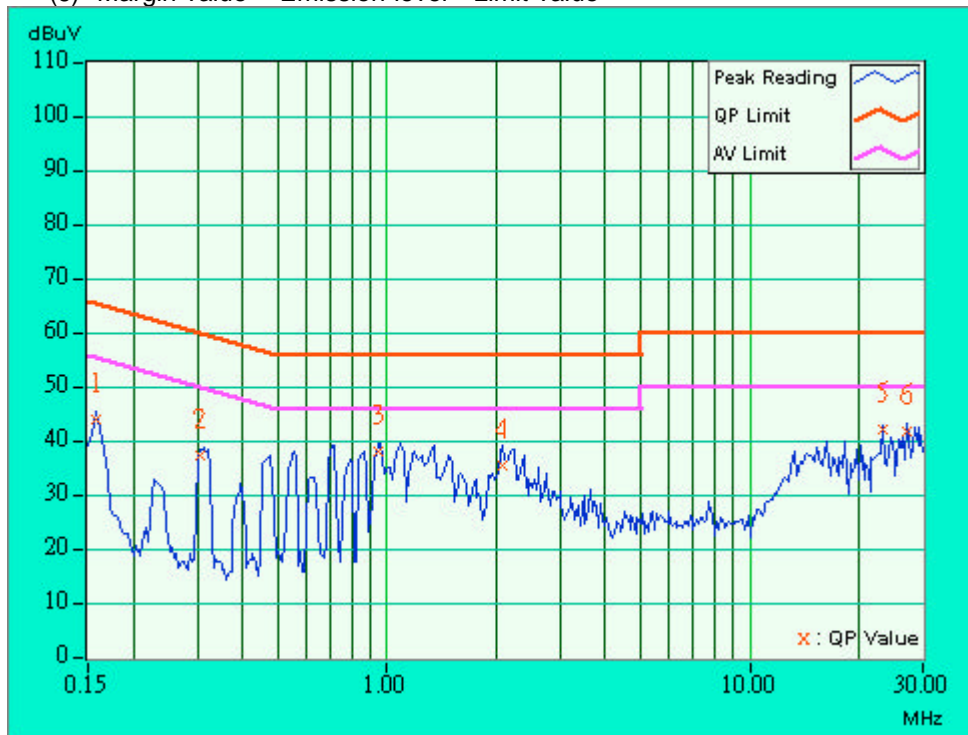




EUT	hp procure wireless AP 420 na	MODEL	J8130A
MODE	With Adapter, Channel 11	6dB BANDWIDTH	9 kHz
INPUT POWER (SYSTEM)	120Vac, 60 Hz	PHASE	Neutral (N)
ENVIRONMENTAL CONDITIONS	24 deg. C, 57%RH, 969 hPa	TESTED BY	Tony Chen

No	Freq. [MHz]	Corr. Factor (dB)	Reading Value [dB (uV)]		Emission Level [dB (uV)]		Limit [dB (uV)]		Margin (dB)	
			Q.P.	AV.	Q.P.	AV.	Q.P.	AV.	Q.P.	AV.
1	0.158	0.20	43.08	-	43.28	-	65.58	55.58	-22.30	-
2	0.306	0.20	36.33	-	36.53	-	60.07	50.07	-23.54	-
3	0.943	0.29	37.11	-	37.40	-	56.00	46.00	-18.60	-
4	2.080	0.30	34.72	-	35.02	-	56.00	46.00	-20.98	-
5	23.129	0.96	41.19	-	42.15	-	60.00	50.00	-17.85	-
6	27.160	1.00	40.99	-	41.99	-	60.00	50.00	-18.01	-

- NOTES:** (1) "*": Undetectable
 (2) Q.P. and AV. are abbreviations of quasi-peak and average.
 (3) "-": The Quasi-peak reading value also meets an average limit, thus measurement with the average detector is unnecessary.
 (4) The emission levels of other frequencies were very low against the limit.
 (5) Correction Factor = Insertion loss + Cable loss
 (6) Margin value = Emission level - Limit value

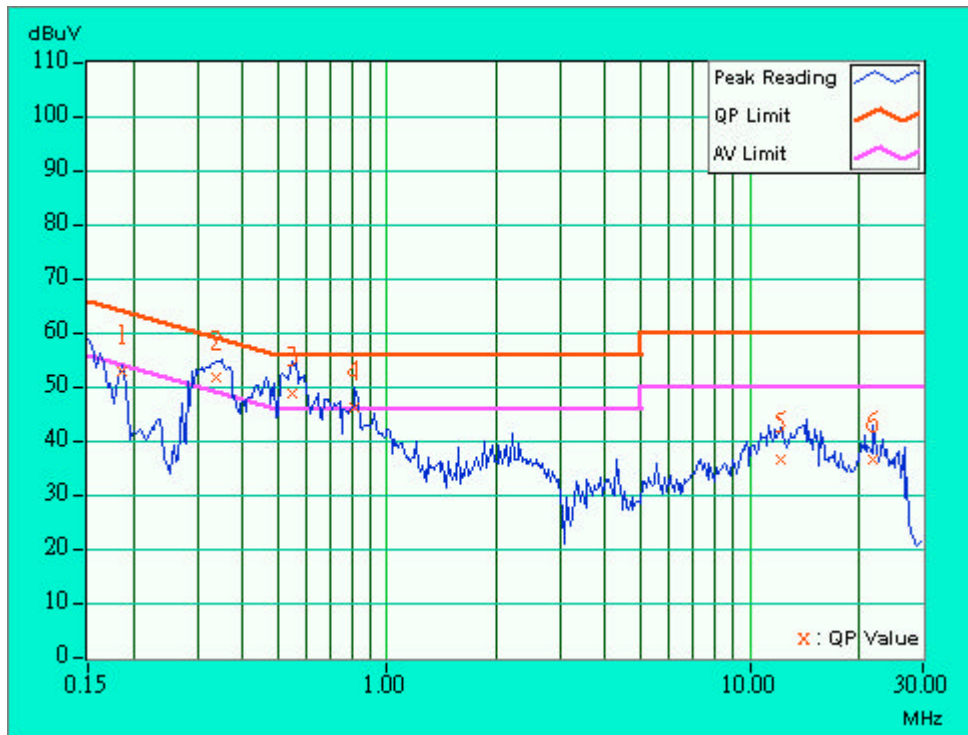




EUT	hp procure wireless AP 420 na	MODEL	J8130A
MODE	With POE, Channel 11	6dB BANDWIDTH	9 kHz
INPUT POWER (SYSTEM)	120Vac, 60 Hz	PHASE	Line (L)
ENVIRONMENTAL CONDITIONS	29 deg. C, 55%RH, 969 hPa	TESTED BY	Tony Chen

No	Freq. [MHz]	Corr. Factor (dB)	Reading Value [dB (uV)]		Emission Level [dB (uV)]		Limit [dB (uV)]		Margin (dB)	
			Q.P.	AV.	Q.P.	AV.	Q.P.	AV.	Q.P.	AV.
			1	0.185	0.10	51.84	-	51.94	-	64.26
2	0.338	0.10	50.82	33.37	50.92	33.47	59.26	49.26	-8.34	-15.79
3	0.550	0.10	47.69	36.93	47.79	37.03	56.00	46.00	-8.21	-8.97
4	0.818	0.10	45.31	-	45.41	-	56.00	46.00	-10.59	-
5	12.121	0.68	35.48	-	36.16	-	60.00	50.00	-23.84	-
6	21.906	1.08	35.55	-	36.63	-	60.00	50.00	-23.37	-

- NOTES: (1) "": Undetectable
 (2) Q.P. and AV. are abbreviations of quasi-peak and average.
 (3) "-": The Quasi-peak reading value also meets an average limit, thus measurement with the average detector is unnecessary.
 (4) The emission levels of other frequencies were very low against the limit.
 (5) Correction Factor = Insertion loss + Cable loss
 (6) Margin value = Emission level - Limit value

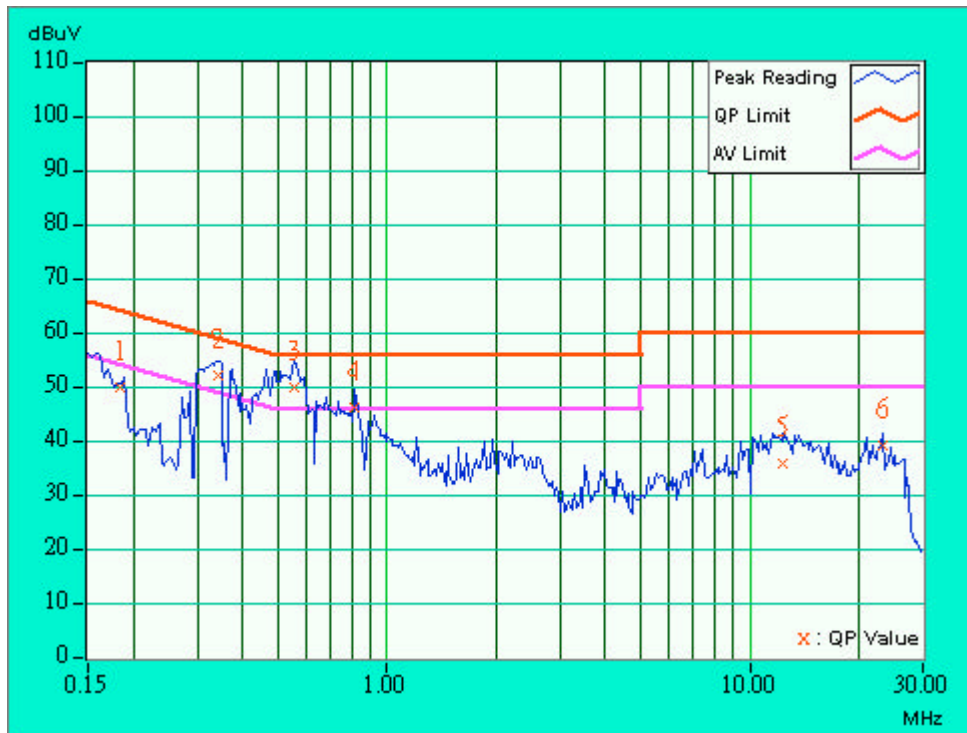




EUT	hp procure wireless AP 420 na	MODEL	J8130A
MODE	With POE, Channel 11	6dB BANDWIDTH	9 kHz
INPUT POWER (SYSTEM)	120Vac, 60 Hz	PHASE	Neutral (N)
ENVIRONMENTAL CONDITIONS	29 deg. C, 55%RH, 969 hPa	TESTED BY	Tony Chen

No	Freq. [MHz]	Corr. Factor (dB)	Reading Value [dB (uV)]		Emission Level [dB (uV)]		Limit [dB (uV)]		Margin (dB)	
			Q.P.	AV.	Q.P.	AV.	Q.P.	AV.	Q.P.	AV.
1	0.184	0.10	49.28	-	49.38	-	64.31	54.31	-14.93	-
2	0.341	0.10	51.28	33.99	51.38	34.09	59.17	49.17	-7.79	-15.08
3	0.556	0.10	49.11	42.58	49.21	42.68	56.00	46.00	-6.79	-3.32
4	0.818	0.10	45.49	-	45.59	-	56.00	46.00	-10.41	-
5	12.371	0.55	34.95	-	35.50	-	60.00	50.00	-24.50	-
6	23.128	0.83	38.37	-	39.20	-	60.00	50.00	-20.80	-

- NOTES: (1) "x": Undetectable
 (2) Q.P. and AV. are abbreviations of quasi-peak and average.
 (3) "-": The Quasi-peak reading value also meets an average limit, thus measurement with the average detector is unnecessary.
 (4) The emission levels of other frequencies were very low against the limit.
 (5) Correction Factor = Insertion loss + Cable loss
 (6) Margin value = Emission level - Limit value





4.2 RADIATED EMISSION MEASUREMENT

4.2.1 LIMITS OF RADIATED EMISSION MEASUREMENT

Field strength limits are at the distance of 3 meters, emissions radiated outside of the specified bands, shall be according to the general radiated limits in 15.209 as following:

Frequencies (MHz)	Field strength (microvolts/meter)	Measurement distance (meters)
0.009-0.490	2400/F(kHz)	300
0.490-1.705	24000/F(kHz)	30
1.705-30.0	30	30
30-88	100	3
88-216	150	3
216-960	200	3
Above 960	500	3

NOTE:

1. The lower limit shall apply at the transition frequencies.
2. Emission level (dBuV/m) = 20 log Emission level (uV/m).
3. As shown in 15.35(b), for frequencies above 1000MHz, the field strength limits are based on average detector, however, the peak field strength of any emission shall not exceed the maximum permitted average limits, specified above by more than 20dB under any condition of modulation.



4.2.2 TEST INSTRUMENTS

DESCRIPTION & MANUFACTURER	MODEL NO.	SERIAL NO.	CALIBRATED UNTIL
HP Spectrum Analyzer	8594ER	3829U04676	Jul. 14, 2004
ADVANTEST Spectrum Analyzer	R3271A	85060311	May 21, 2004
CHASE RF Pre_Amplifier	CPA9232	1057	Apr. 24, 2004
HP Pre_Amplifier	8449B	3008A01281	June 27, 2004
ROHDE & SCHWARZ Test Receiver	ESVS 10	849231 /019	Nov. 03, 2003
CHASE Broadband Antenna	CBL6111c	2730	Jul 17, 2004
Schwarzbeck Horn_Antenna	3115	5619	Jul. 17, 2004
SCHWARZBECK Tunable Dipole Antenna	UHAP	897	Mar. 07, 2005
SCHWARZBECK Tunable Dipole Antenna	VHAP	880	Mar. 07, 2005
RF Switches (ARNITSU)	CS-201	1565157	Dec. 01, 2003
RF CABLE (Chaintek) 1GHz-20GHz	SF102	22054-2	Feb. 10. 2004
RF Cable(RICHTEC)	9913-30M	STCCAB-30M- 1GHz-021	Nov. 5, 2003
Software	AS60P8	NA	NA
CHANCE MOST Antenna Tower	AT-100	0203	NA
CHANCE MOST Turn Table	TT-100	0203	NA

Note: 1. The calibration interval of the above test instruments is 12 months (36 months for Tunable Dipole Antenna) and the calibrations are traceable to NML/ROC and NIST/USA.

2. * = These equipment are used for the final measurement.
3. The horn antenna and HP preamplifier (model: 8449B) are used only for the measurement of emission frequency above 1GHz if tested.
4. The test was performed in ADT Open Site No. C.
5. The FCC Site Registration No. is 656396.
6. The VCCI Site Registration No. is R-1626.
7. The CANADA Site Registration No. is IC 3789-C.



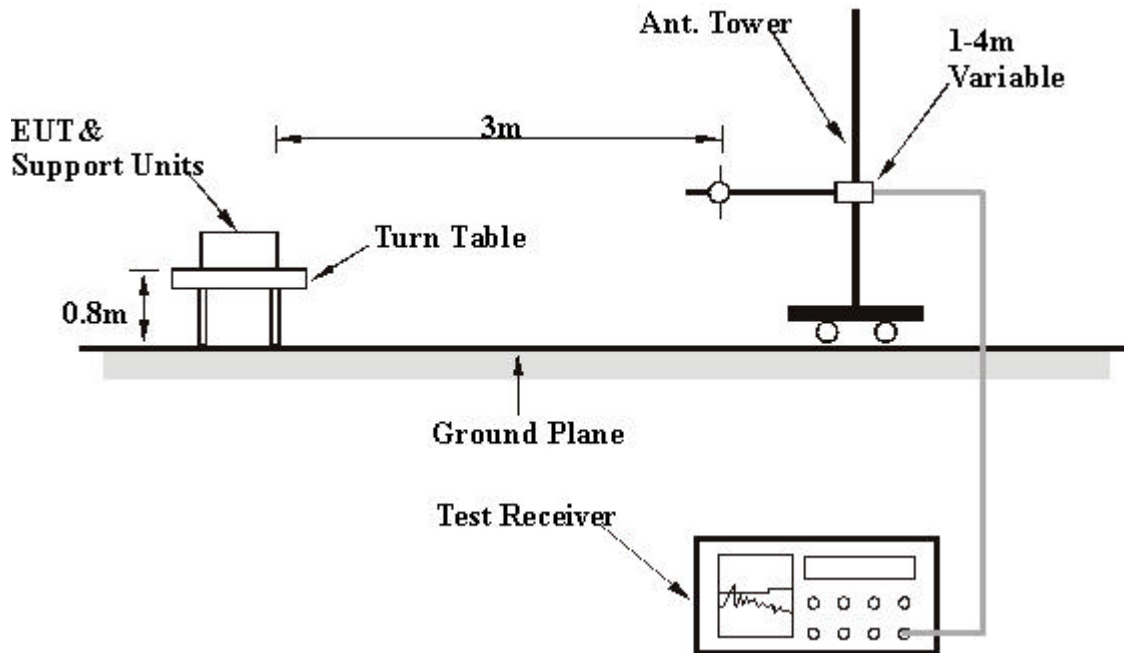
4.2.3 TEST PROCEDURES

- a. The EUT was placed on the top of a rotating table 0.8 meters above the ground at a 10 meter open area test site. The table was rotated 360 degrees to determine the position of the highest radiation.
- b. The EUT was set 3 meters away from the interference-receiving antenna, which was mounted on the top of a variable-height antenna tower.
- c. The antenna is a broadband antenna, and its height is varied from one meter to four meters above the ground to determine the maximum value of the field strength. Both horizontal and vertical polarizations of the antenna are set to make the measurement.
- d. For each suspected emission, the EUT was arranged to its worst case and then the antenna was tuned to heights from 1 meter to 4 meters and the rotatable table was turned from 0 degrees to 360 degrees to find the maximum reading.
- e. The test-receiver system was set to Peak Detect Function and Specified Bandwidth with Maximum Hold Mode.
- f. If the emission level of the EUT in peak mode was 10 dB lower than the limit specified, then testing could be stopped and the peak values of the EUT would be reported. Otherwise the emissions that did not have 10 dB margin would be re-tested one by one using peak, quasi-peak or average method as specified and then reported in a data sheet.

NOTE:

1. The resolution bandwidth and video bandwidth of test receiver/spectrum analyzer is 120kHz for Peak detection (PK) and Quasi-peak detection (QP) at frequency below 1GHz.
2. The resolution bandwidth and video bandwidth of test receiver/spectrum analyzer is 1 MHz for Peak detection at frequency above 1GHz.
3. The resolution bandwidth of test receiver/spectrum analyzer is 1 MHz and the video bandwidth is 300 Hz for Average detection (AV) at frequency above 1GHz.

4.2.4 TEST SETUP



For the actual test configuration, please refer to the related item – Photographs of the Test Configuration.

4.2.5 EUT OPERATING CONDITIONS

Same as 4.1.5.



4.2.6 TEST RESULTS

EUT	hp procurve wireless AP 420 na	MODEL	J8130A
MODE	With adapter, Channel 11	FREQUENCY RANGE	30-1000 MHz
INPUT POWER (SYSTEM)	120Vac, 60 Hz	DETECTOR FUNCTION	Quasi-Peak
ENVIRONMENTAL CONDITIONS	30 deg. C, 60 % RH, 969 hPa	TESTED BY	Mike Hsieh

ANTENNA POLARITY & TEST DISTANCE: HORIZONTAL AT 3 M

No.	Freq. (MHz)	Emission Level (dBuV/m)	Limit (dBuV/m)	Margin (dB)	Antenna Height (m)	Table Angle (Degree)	Raw Value (dBuV)	Correction Factor (dB/m)
1	192.00	17.9 QP	43.50	-25.60	2.07 H	300	7.40	10.50
2	250.00	30.3 QP	46.00	-15.70	1.20 H	276	16.30	14.00
3	352.00	32.4 QP	46.00	-13.60	1.35 H	20	15.70	16.70
4	375.01	31.8 QP	46.00	-14.20	1.00 H	169	14.30	17.60
5	384.00	35.4 QP	46.00	-10.60	1.00 H	208	17.50	17.90
6	416.00	28.1 QP	46.00	-17.90	1.00 H	353	9.50	18.60
7	608.00	29.9 QP	46.00	-16.10	1.80 H	60	8.10	21.80
8	672.00	34.5 QP	46.00	-11.50	1.74 H	33	12.30	22.10
9	768.00	31.1 QP	46.00	-14.90	1.53 H	74	7.90	23.10
10	864.00	31.2 QP	46.00	-14.80	1.59 H	72	7.30	23.90

ANTENNA POLARITY & TEST DISTANCE: VERTICAL AT 3 M

No.	Freq. (MHz)	Emission Level (dBuV/m)	Limit (dBuV/m)	Margin (dB)	Antenna Height (m)	Table Angle (Degree)	Raw Value (dBuV)	Correction Factor (dB/m)
1	192.03	19.5 QP	43.50	-24.00	1.00 V	60	9.00	10.50
2	250.00	30.3 QP	46.00	-15.70	2.09 V	25	16.30	14.00
3	288.00	21.1 QP	46.00	-24.90	2.20 V	0	6.50	14.70
4	352.00	29.2 QP	46.00	-16.80	2.17 V	231	12.50	16.70
5	375.01	28.3 QP	46.00	-17.70	1.61 V	158	10.80	17.60
6	384.00	28.2 QP	46.00	-17.80	2.16 V	156	10.30	17.90
7	544.00	27.1 QP	46.00	-18.90	1.95 V	329	5.70	21.40
8	608.00	27.2 QP	46.00	-18.80	1.84 V	255	5.40	21.80
9	768.00	30.6 QP	46.00	-15.40	1.78 V	243	7.40	23.10
10	864.00	29.4 QP	46.00	-16.60	1.65 V	20	5.50	23.90

- REMARKS:**
1. Emission level(dBuV/m)=Raw Value(dBuV) + Correction Factor(dB)
 2. Correction Factor(dB/m) = Antenna Factor (dB/m) + Cable Factor (dB)
 3. The other emission levels were very low against the limit.
 4. Margin value = Emission level – Limit value.
 5. The limit value is defined as per 15.247



EUT	hp procurve wireless AP 420 na	MODEL	J8130A
MODE	With POE, Channel 11	FREQUENCY RANGE	30-1000 MHz
INPUT POWER (SYSTEM)	120Vac, 60 Hz	DETECTOR FUNCTION	Quasi-Peak
ENVIRONMENTAL CONDITIONS	23 deg. C, 50 % RH, 969 hPa	TESTED BY	Eric Lee

ANTENNA POLARITY & TEST DISTANCE: HORIZONTAL AT 3 M

No.	Freq. (MHz)	Emission Level (dBuV/m)	Limit (dBuV/m)	Margin (dB)	Antenna Height (m)	Table Angle (Degree)	Raw Value (dBuV)	Correction Factor (dB/m)
1	50.12	15.3 QP	40.00	-24.70	1.54 H	356	6.90	8.40
2	125.12	28.9 QP	43.50	-14.60	1.43 H	306	16.90	12.00
3	250.00	28.6 QP	46.00	-17.40	1.20 H	20	15.60	13.00
4	256.10	29.2 QP	46.00	-16.80	1.65 H	138	15.30	13.90
5	375.09	32.5 QP	46.00	-13.50	1.52 H	252	16.30	16.20
6	446.10	30.4 QP	46.00	-15.60	1.76 H	246	12.40	18.00
7	500.06	29.7 QP	46.00	-16.30	1.05 H	65	10.40	19.30
8	532.11	25.4 QP	46.00	-20.60	1.59 H	167	5.60	19.80
9	624.21	31.8 QP	46.00	-14.20	1.07 H	241	10.10	21.70
10	678.99	30.8 QP	46.00	-15.20	1.29 H	306	8.60	22.20

ANTENNA POLARITY & TEST DISTANCE: VERTICAL AT 3 M

No.	Freq. (MHz)	Emission Level (dBuV/m)	Limit (dBuV/m)	Margin (dB)	Antenna Height (m)	Table Angle (Degree)	Raw Value (dBuV)	Correction Factor (dB/m)
1	50.23	24.7 QP	40.00	-15.30	1.52 V	321	16.30	8.40
2	60.35	24.6 QP	40.00	-15.40	1.36 V	354	19.40	5.20
3	125.21	23.5 QP	43.50	-20.00	1.24 V	54	11.50	12.00
4	250.02	29.6 QP	46.00	-16.40	1.01 V	24	16.60	13.00
5	375.03	21.7 QP	46.00	-24.30	1.19 V	218	5.50	16.20
6	500.02	27.9 QP	46.00	-18.10	1.34 V	248	8.60	19.30
7	532.43	26.7 QP	46.00	-19.30	1.19 V	218	6.90	19.80
8	625.06	24.1 QP	46.00	-21.90	1.29 V	267	2.30	21.70
9	750.00	25.3 QP	46.00	-20.70	1.37 V	253	1.50	23.80
10	875.11	26.5 QP	46.00	-19.50	1.59 V	153	1.50	25.00

- REMARKS:**
1. Emission level(dBuV/m)=Raw Value(dBuV) + Correction Factor(dB)
 2. Correction Factor(dB/m) = Antenna Factor (dB/m) + Cable Factor (dB)
 3. The other emission levels were very low against the limit.
 4. Margin value = Emission level – Limit value.
 5. The limit value is defined as per 15.247



4.2.7 TEST RESULTS - DSSS

EUT	hp procure wireless AP 420 na	MODEL	J8130A
MODE	Channel 1	FREQUENCY RANGE	Above 1000 MHz
INPUT POWER (SYSTEM)	120Vac, 60 Hz	DETECTOR FUNCTION	Peak (PK) Average(AV)
ENVIRONMENTAL CONDITIONS	24 deg. C, 60%RH, 969 hPa	TESTED BY	Eric Lee

ANTENNA POLARITY & TEST DISTANCE: HORIZONTAL AT 3 M								
No.	Freq. (MHz)	Emission Level (dBuV/m)	Limit (dBuV/m)	Margin (dB)	Antenna Height (m)	Table Angle (Degree)	Raw Value (dBuV)	Correction Factor (dB/m)
1	2368.00	46.6 PK	74.00	-27.40	1.04 H	39	16.90	29.70
2	2390.00	51.5 PK	74.00	-22.50	1.32 H	25	21.70	29.80
2	2390.00	38.4 AV	54.00	-15.60	1.32 H	25	8.60	29.70
3	*2412.00	94.1 PK			1.11 H	247	64.20	29.90
3	*2412.00	87.2 AV			1.11 H	247	57.30	29.80
4	2496.00	49.8 PK	74.00	-24.20	1.35 H	212	19.60	30.20
5	4824.00	42.3 PK	74.00	-31.70	1.02 H	247	6.00	36.20

ANTENNA POLARITY & TEST DISTANCE: VERTICAL AT 3 M								
No.	Freq. (MHz)	Emission Level (dBuV/m)	Limit (dBuV/m)	Margin (dB)	Antenna Height (m)	Table Angle (Degree)	Raw Value (dBuV)	Correction Factor (dB/m)
1	2368.00	58.4 PK	74.00	-15.60	1.25 V	248	28.70	29.70
1	2368.00	50.0 AV	54.00	-4.00	1.25 V	248	20.30	29.70
2	2390.00	65.1 PK	74.00	-8.90	1.25 V	254	35.30	29.80
2	2390.00	51.9 AV	54.00	-2.10	1.25 V	254	22.10	29.80
3	*2412.00	108.2 PK			1.00 V	23	78.30	29.90
3	*2412.00	100.0 AV			1.00 V	23	70.10	29.90
4	2496.00	61.7 PK	74.00	-12.30	1.45 V	247	31.50	30.20
4	2496.00	51.8 AV	54.00	-2.20	1.45 V	247	21.60	30.20
5	4824.00	45.3 PK	74.00	-28.70	1.03 V	80	9.10	36.20

- REMARKS:**
1. Emission level(dBuV/m)=Raw Value(dBuV) + Correction Factor(dB)
 2. Correction Factor(dB/m) = Antenna Factor (dB/m) + Cable Factor (dB)
 3. The other emission levels were very low against the limit.
 4. Margin value = Emission level – Limit value.
 5. The limit value is defined as per 15.247
 6. “ * “ : Fundamental frequency



EUT	hp procure wireless AP 420 na	MODEL	J8130A
MODE	Channel 6	FREQUENCY RANGE	Above 1000 MHz
INPUT POWER (SYSTEM)	120Vac, 60 Hz	DETECTOR FUNCTION	Peak (PK) Average (AV)
ENVIRONMENTAL CONDITIONS	24 deg. C, 60%RH, 969 hPa	TESTED BY	Eric Lee

ANTENNA POLARITY & TEST DISTANCE: HORIZONTAL AT 3 M

No.	Freq. (MHz)	Emission Level (dBuV/m)	Limit (dBuV/m)	Margin (dB)	Antenna Height (m)	Table Angle (Degree)	Raw Value (dBuV)	Correction Factor (dB/m)
1	2368.00	49.3 PK	74.00	-24.70	1.45 H	125	19.60	29.70
2	2390.00	51.2 PK	74.00	-22.80	1.57 H	359	21.40	29.80
2	2390.00	40.0 AV	54.00	-14.00	1.57 H	359	10.20	29.70
3	*2437.00	95.2 PK			1.54 H	24	65.20	30.00
3	*2437.00	88.9 AV			1.54 H	24	58.90	29.80
4	2484.00	51.4 PK	74.00	-22.60	1.05 H	209	21.30	30.10
4	2484.00	39.1 AV	54.00	-14.90	1.05 H	209	9.00	30.00
5	2496.00	48.5 PK	74.00	-25.50	1.32 H	124	18.30	30.20
6	4874.00	48.7 PK	74.00	-25.30	1.15 H	351	12.20	36.50

ANTENNA POLARITY & TEST DISTANCE: VERTICAL AT 3 M

No.	Freq. (MHz)	Emission Level (dBuV/m)	Limit (dBuV/m)	Margin (dB)	Antenna Height (m)	Table Angle (Degree)	Raw Value (dBuV)	Correction Factor (dB/m)
1	2368.00	60.3 PK	74.00	-13.70	1.22 V	308	30.60	29.70
1	2368.00	49.6 AV	54.00	-4.40	1.22 V	308	19.90	29.70
2	2390.00	55.1 PK	74.00	-18.90	1.25 V	20	25.30	29.80
2	2390.00	44.0 AV	54.00	-10.00	1.25 V	20	14.20	29.80
3	*2437.00	109.0 PK			1.04 V	333	79.00	30.00
3	*2437.00	101.9 AV			1.04 V	333	71.90	30.00
4	2484.00	53.7 PK	74.00	-20.30	1.02 V	307	23.60	30.10
4	2484.00	44.3 AV	54.00	-9.70	1.02 V	307	14.20	30.10
5	2496.00	59.8 PK	74.00	-14.20	1.03 V	356	29.60	30.20
5	2496.00	50.7 AV	54.00	-3.30	1.03 V	356	20.50	30.20
6	4874.00	45.6 PK	74.00	-28.40	1.30 V	265	9.10	36.50

- REMARKS:**
1. Emission level(dBuV/m)=Raw Value(dBuV) + Correction Factor(dB)
 2. Correction Factor(dB/m) = Antenna Factor (dB/m) + Cable Factor (dB)
 3. The other emission levels were very low against the limit.
 4. Margin value = Emission level – Limit value.
 5. The limit value is defined as per 15.247
 6. " * " : Fundamental frequency



EUT	hp procure wireless AP 420 na	MODEL	J8130A
MODE	Channel 11	FREQUENCY RANGE	Above 1000 MHz
INPUT POWER (SYSTEM)	120Vac, 60 Hz	DETECTOR FUNCTION	Peak (PK) Average (AV)
ENVIRONMENTAL CONDITIONS	24 deg. C, 60%RH, 969 hPa	TESTED BY	Eric Lee

ANTENNA POLARITY & TEST DISTANCE: HORIZONTAL AT 3 M

No.	Freq. (MHz)	Emission Level (dBuV/m)	Limit (dBuV/m)	Margin (dB)	Antenna Height (m)	Table Angle (Degree)	Raw Value (dBuV)	Correction Factor (dB/m)
1	2368.00	50.1 PK	74.00	-23.90	1.35 H	278	20.40	29.70
2	*2462.00	98.3 PK			1.01 H	63	68.30	30.10
2	*2462.00	91.3 AV			1.01 H	63	61.20	29.70
3	2483.50	50.7 PK	74.00	-23.30	1.25 H	320	20.50	30.10
4	2496.00	49.5 PK	74.00	-24.50	1.03 H	343	19.30	30.20
5	4924.00	46.9 PK	74.00	-27.10	1.34 H	215	10.20	36.70

ANTENNA POLARITY & TEST DISTANCE: VERTICAL AT 3 M

No.	Freq. (MHz)	Emission Level (dBuV/m)	Limit (dBuV/m)	Margin (dB)	Antenna Height (m)	Table Angle (Degree)	Raw Value (dBuV)	Correction Factor (dB/m)
1	2368.00	61.3 PK	74.00	-12.70	1.25 V	222	31.60	29.70
1	2368.00	50.7 AV	54.00	-3.30	1.25 V	222	21.00	29.70
2	*2462.00	108.3 PK			1.02 V	359	78.30	30.10
2	*2462.00	101.0 AV			1.02 V	359	70.90	30.10
3	2483.50	59.7 PK	74.00	-14.30	1.02 V	317	29.50	30.10
3	2483.50	50.0 AV	54.00	-4.00	1.02 V	317	19.90	30.10
4	2496.00	59.8 PK	74.00	-14.20	1.02 V	87	29.60	30.20
4	2496.00	51.1 AV	54.00	-2.90	1.02 V	87	20.90	30.20
5	4924.00	44.9 PK	74.00	-29.10	1.17 V	204	8.20	36.70

- REMARKS:**
1. Emission level(dBuV/m)=Raw Value(dBuV) + Correction Factor(dB)
 2. Correction Factor(dB/m) = Antenna Factor (dB/m) + Cable Factor (dB)
 3. The other emission levels were very low against the limit.
 4. Margin value = Emission level – Limit value.
 5. The limit value is defined as per 15.247
 6. “ * “ : Fundamental frequency



4.2.8 TEST RESULTS -OFDM

EUT	hp procure wireless AP 420 na	MODEL	J8130A
MODE	Channel 1	FREQUENCY RANGE	Above 1000 MHz
INPUT POWER (SYSTEM)	120Vac, 60 Hz	DETECTOR FUNCTION	Peak (PK) Average(AV)
ENVIRONMENTAL CONDITIONS	23 deg. C, 57%RH, 969 hPa	TESTED BY	Eric Lee

ANTENNA POLARITY & TEST DISTANCE: HORIZONTAL AT 3 M

No.	Freq. (MHz)	Emission Level (dBuV/m)	Limit (dBuV/m)	Margin (dB)	Antenna Height (m)	Table Angle (Degree)	Raw Value (dBuV)	Correction Factor (dB/m)
1	2368.00	49.3 PK	74.00	-24.70	1.04 H	57	19.60	29.70
2	2390.00	53.1 PK	74.00	-20.90	1.53 H	29	23.30	29.80
2	2390.00	43.0 AV	54.00	-11.00	1.53 H	29	13.20	29.70
3	*2412.00	91.2 PK			1.05 H	254	61.30	29.90
3	*2412.00	81.2 AV			1.05 H	254	51.30	29.80
4	2496.00	47.0 PK	74.00	-27.00	1.00 H	44	16.80	30.20
5	4824.00	43.2 PK	74.00	-30.80	1.83 H	89	7.00	36.20

ANTENNA POLARITY & TEST DISTANCE: VERTICAL AT 3 M

No.	Freq. (MHz)	Emission Level (dBuV/m)	Limit (dBuV/m)	Margin (dB)	Antenna Height (m)	Table Angle (Degree)	Raw Value (dBuV)	Correction Factor (dB/m)
1	2368.00	59.6 PK	74.00	-14.40	1.35 V	249	29.90	29.70
1	2368.00	49.7 AV	54.00	-4.30	1.35 V	249	20.00	29.70
2	2390.00	64.7 PK	74.00	-9.30	1.16 V	21	34.90	29.80
2	2390.00	52.6 AV	54.00	-1.40	1.16 V	21	22.80	29.80
3	*2412.00	101.9 PK			1.15 V	304	72.00	29.90
3	*2412.00	92.7 AV			1.15 V	304	62.80	29.90
4	2496.00	57.3 PK	74.00	-16.70	1.21 V	359	27.10	30.20
4	2496.00	52.4 AV	54.00	-1.60	1.21 V	359	22.20	30.20
5	4824.00	42.7 PK	74.00	-31.30	1.03 V	204	6.50	36.20

- REMARKS:**
1. Emission level(dBuV/m)=Raw Value(dBuV) + Correction Factor(dB)
 2. Correction Factor(dB/m) = Antenna Factor (dB/m) + Cable Factor (dB)
 3. The other emission levels were very low against the limit.
 4. Margin value = Emission level – Limit value.
 5. The limit value is defined as per 15.247
 6. “ * “ : Fundamental frequency



EUT	hp procure wireless AP 420 na	MODEL	J8130A
MODE	Channel 6	FREQUENCY RANGE	Above 1000 MHz
INPUT POWER (SYSTEM)	120Vac, 60 Hz	DETECTOR FUNCTION	Peak (PK) Average (AV)
ENVIRONMENTAL CONDITIONS	23 deg. C, 57%RH, 969 hPa	TESTED BY	Eric Lee

ANTENNA POLARITY & TEST DISTANCE: HORIZONTAL AT 3 M

No.	Freq. (MHz)	Emission Level (dBuV/m)	Limit (dBuV/m)	Margin (dB)	Antenna Height (m)	Table Angle (Degree)	Raw Value (dBuV)	Correction Factor (dB/m)
1	2368.00	50.9 PK	74.00	-23.10	1.10 H	295	21.20	29.70
2	*2437.00	94.2 PK			1.23 H	57	64.20	30.00
2	*2437.00	83.9 AV			1.23 H	57	53.90	29.70
3	2496.00	52.6 PK	74.00	-21.40	1.15 H	287	22.40	30.20
3	2496.00	42.2 AV	54.00	-11.80	1.15 H	287	12.00	30.00
4	4874.00	48.5 PK	74.00	-25.50	4.00 H	298	12.00	36.50

ANTENNA POLARITY & TEST DISTANCE: VERTICAL AT 3 M

No.	Freq. (MHz)	Emission Level (dBuV/m)	Limit (dBuV/m)	Margin (dB)	Antenna Height (m)	Table Angle (Degree)	Raw Value (dBuV)	Correction Factor (dB/m)
1	2368.00	58.1 PK	74.00	-15.90	1.05 V	28	28.40	29.70
1	2368.00	50.6 AV	54.00	-3.40	1.05 V	28	20.90	29.70
2	*2437.00	104.6 PK			1.11 V	45	74.60	30.00
2	*2437.00	94.2 AV			1.11 V	45	64.20	30.00
3	2496.00	42.5 PK	74.00	-31.50	1.01 V	47	12.30	30.20
4	4874.00	46.8 PK	74.00	-27.20	1.25 V	54	10.30	36.50

- REMARKS:**
1. Emission level(dBuV/m)=Raw Value(dBuV) + Correction Factor(dB)
 2. Correction Factor(dB/m) = Antenna Factor (dB/m) + Cable Factor (dB)
 3. The other emission levels were very low against the limit.
 4. Margin value = Emission level – Limit value.
 5. The limit value is defined as per 15.247
 6. “ * “ : Fundamental frequency



EUT	hp procure wireless AP 420 na	MODEL	J8130A
MODE	Channel 11	FREQUENCY RANGE	Above 1000 MHz
INPUT POWER (SYSTEM)	120Vac, 60 Hz	DETECTOR FUNCTION	Peak (PK) Average (AV)
ENVIRONMENTAL CONDITIONS	23 deg. C, 57%RH, 969 hPa	TESTED BY	Eric Lee

ANTENNA POLARITY & TEST DISTANCE: HORIZONTAL AT 3 M

No.	Freq. (MHz)	Emission Level (dBuV/m)	Limit (dBuV/m)	Margin (dB)	Antenna Height (m)	Table Angle (Degree)	Raw Value (dBuV)	Correction Factor (dB/m)
1	2368.00	47.1 PK	74.00	-26.90	1.06 H	57	17.40	29.70
2	*2462.00	91.4 PK			1.32 H	61	61.30	30.10
2	*2462.00	82.1 AV			1.32 H	61	52.00	29.70
3	2483.50	54.7 PK	74.00	-19.30	1.54 H	247	24.60	30.10
3	2483.50	43.4 AV	54.00	-10.60	1.54 H	247	13.20	30.10
4	2496.00	47.8 PK	74.00	-26.20	1.09 H	61	17.60	30.20
5	4924.00	45.3 PK	74.00	-28.70	1.20 H	331	8.60	36.70

ANTENNA POLARITY & TEST DISTANCE: VERTICAL AT 3 M

No.	Freq. (MHz)	Emission Level (dBuV/m)	Limit (dBuV/m)	Margin (dB)	Antenna Height (m)	Table Angle (Degree)	Raw Value (dBuV)	Correction Factor (dB/m)
1	2368.00	56.4 PK	74.00	-17.60	1.05 V	4	26.70	29.70
1	2368.00	49.5 AV	54.00	-4.50	1.05 V	4	19.80	29.70
2	*2462.00	102.9 PK			1.01 V	3	72.80	30.10
2	*2462.00	92.9 AV			1.01 V	3	62.80	30.10
3	2483.50	63.0 PK	74.00	-11.00	1.32 V	258	32.90	30.10
3	2483.50	52.7 AV	54.00	-1.30	1.32 V	258	22.60	30.10
4	2496.00	59.2 PK	74.00	-14.80	1.09 V	81	29.00	30.20
4	2496.00	52.2 AV	54.00	-1.80	1.09 V	81	22.00	30.20
5	4924.00	44.4 PK	74.00	-29.60	1.18 V	269	7.70	36.70

- REMARKS:**
1. Emission level(dBuV/m)=Raw Value(dBuV) + Correction Factor(dB)
 2. Correction Factor(dB/m) = Antenna Factor (dB/m) + Cable Factor (dB)
 3. The other emission levels were very low against the limit.
 4. Margin value = Emission level – Limit value.
 5. The limit value is defined as per 15.247
 6. “ * “ : Fundamental frequency



4.3 MAXIMUM PEAK OUTPUT POWER

4.3.1 LIMITS OF MAXIMUM PEAK OUTPUT POWER MEASUREMENT

The Maximum Peak Output Power Measurement is 30dBm.

4.3.2 TEST INSTRUMENTS

Description & Manufacturer	Model No.	Serial No.	Calibrated Until
R&S SPECTRUM ANALYZER	FSEK30	100049	Jul. 24, 2003
R&S SIGNAL GENERATOR	SMP04	100011	May 28, 2004
TEKTRONIX OSCILLOSCOPE	TDS 220	B048470	Mar. 05, 2004
NARDA DETECTOR	4503A	FSCM99899	NA

NOTE:

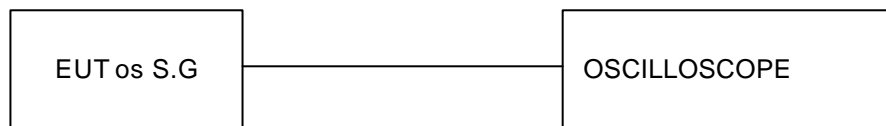
The calibration interval of the above test instruments is 12 months and the calibrations are traceable to NML/ROC and NIST/USA.



4.3.3 TEST PROCEDURES

1. A detector was used on the output port of the EUT. An oscilloscope was used to read the response of the detector.
2. Replaced the EUT by the signal generator. The center frequency of the S.G was adjusted to the center frequency of the measured channel.
3. Adjusted the power to have the same reading on oscilloscope. Record the power level.

4.3.4 TEST SETUP



4.3.5 EUT OPERATING CONDITIONS

Same as Item 4.3.5



4.3.6 TEST RESULTS-DSSS

EUT	hp procurve wireless AP 420 na	MODEL	J8130A
INPUT POWER (SYSTEM)	120Vac, 60 Hz	ENVIRONMENTAL CONDITIONS	27 deg. C, 56 %RH, 969 hPa
TESTED BY	Tony Chen		

CHANNEL	CHANNEL FREQUENCY (MHz)	PEAK POWER OUTPUT (dBm)	PEAK POWER LIMIT (dBm)	PASS/FAIL
1	2412	15.08	30	PASS
6	2437	15.69	30	PASS
11	2462	15.26	30	PASS

4.3.7 TEST RESULTS-OFDM

EUT	hp procurve wireless AP 420 na	MODEL	J8130A
INPUT POWER (SYSTEM)	120Vac, 60 Hz	ENVIRONMENTAL CONDITIONS	27 deg. C, 56 %RH, 969 hPa
TESTED BY	Tony Chen		

CHANNEL	CHANNEL FREQUENCY (MHz)	PEAK POWER OUTPUT (dBm)	PEAK POWER LIMIT (dBm)	PASS/FAIL
1	2412	15.26	30	PASS
6	2437	15.68	30	PASS
11	2462	15.29	30	PASS



4.4 BAND EDGES MEASUREMENT

4.4.1 LIMITS OF BAND EDGES MEASUREMENT

Below -20dB of the highest emission level of operating band (in 100KHz Resolution Bandwidth).

4.4.2 TEST INSTRUMENTS

Description & Manufacturer	Model No.	Serial No.	Calibrated Until
R&S SPECTRUM ANALYZER	FSP	1093.4495.30	Dec. 19, 2003

NOTE:

- 1.The measurement uncertainty is less than +/- 2.6dB, which is calculated as per the NAMAS document NIS81.
- 2.The calibration interval of the above test instruments is 12 months and the calibrations are traceable to NML/ROC and NIST/USA.

4.4.3 TEST PROCEDURE

The transmitter output was connected to the spectrum analyzer via a low lose cable. Set both RBW and VBW of spectrum analyzer to 100 kHz with suitable frequency span including 100 kHz bandwidth from band edge. The band edges was measured and recorded.

4.4.4 EUT OPERATING CONDITION

Same as Item 4.3.5

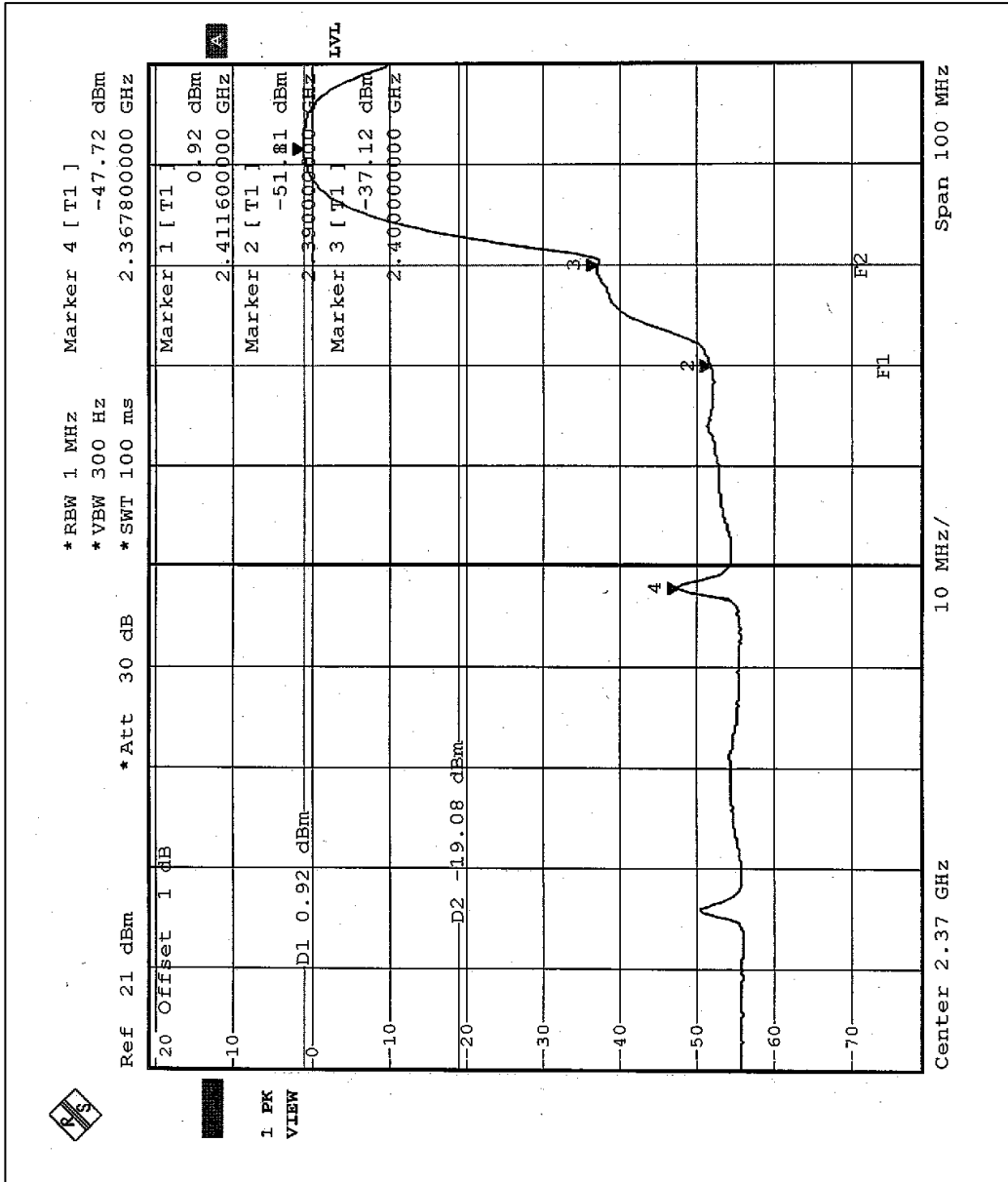


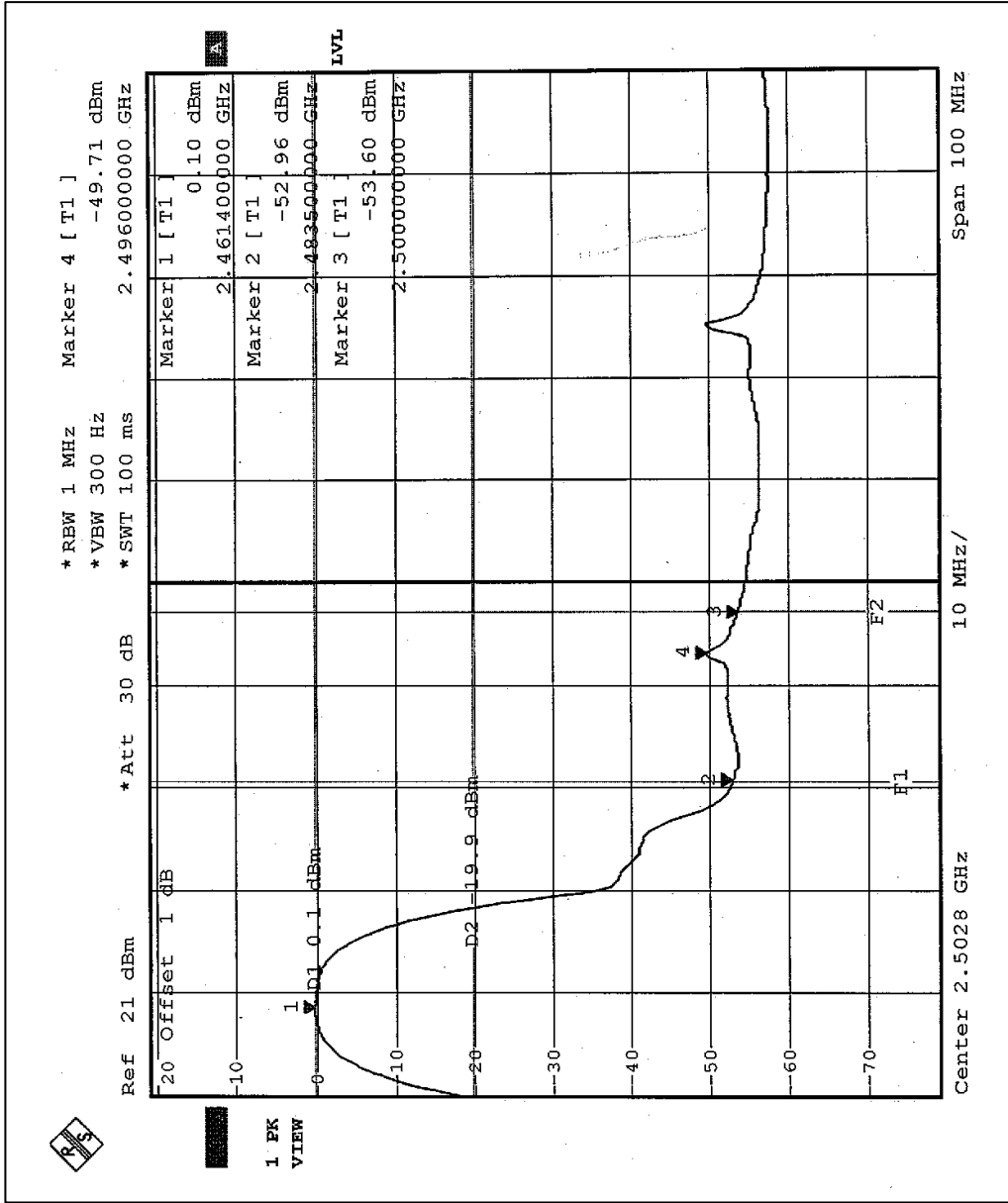
4.4.5 TEST RESULTS - DSSS

The spectrum plots are attached on the following 2 pages. D1 line indicates the highest level, D2 line indicates the 20dB offset below D1. It shows compliance with the requirement in part 15.247(C).

NOTE (1): The band edge emission plot on the following first page shows 48.64dB delta between carrier maximum power and local maximum emission in restrict band (2.3678GHz). The emission of carrier strength list in the test result of channel 1 at the item 4.2 is 100.00dBuV/m, so the maximum field strength in restrict band is $100.00 - 48.64 = 51.36$ dBuV/m which is under 54 dBuV/m limit.

NOTE (2): The band edge emission plot on the following second page shows 49.81 dB delta between carrier maximum power and local maximum emission in restrict band (2.4960GHz). The emission of carrier strength list in the test result of channel 11 at the item 4.2 is 101.00dBuV/m, so the maximum field strength in restrict band is $101.00 - 49.81 = 51.19$ dBuV/m which is under 54 dBuV/m limit.





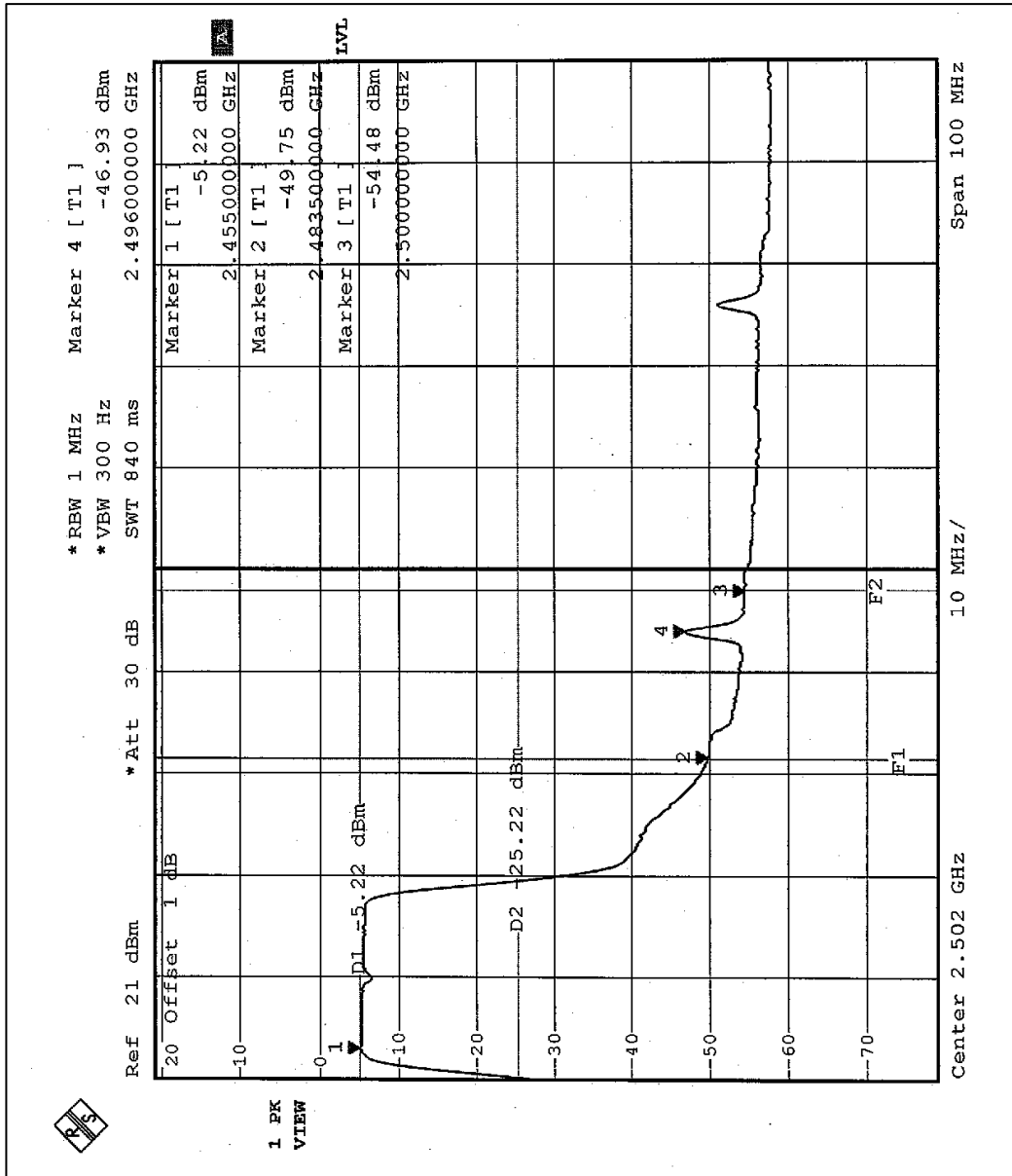


4.4.6 TEST RESULTS-OFDM

The spectrum plots are attached on the following 2 pages. D1 line indicates the highest level, D2 line indicates the 20dB offset below D1. It shows compliance with the requirement in part 15.247(C).

NOTE (1): The band edge emission plot on the following first page shows 41.02dB delta between carrier maximum power and local maximum emission in restrict band (2.3680GHz). The emission of carrier strength list in the test result of channel 1 at the item 4.2 is 92.7dBuV/m, so the maximum field strength in restrict band is $92.7-41.02=51.68$ dBuV/m which is under 54 dBuV/m limit.

NOTE (2): The band edge emission plot on the following second page shows 41.71dB delta between carrier maximum power and local maximum emission in restrict band (2.496GHz). The emission of carrier strength list in the test result of channel 11 at the item 4.2 is 92.9dBuV/m, so the maximum field strength in restrict band is $92.9-41.71=51.19$ dBuV/m which is under 54 dBuV/m limit.





4.5 ANTENNA REQUIREMENT

4.5.1 STANDARD APPLICABLE

For intentional device, according to FCC 47 CFR Section 15.203, an intentional radiator shall be designed to ensure that no antenna other than that furnished by the responsible party shall be used with the device.

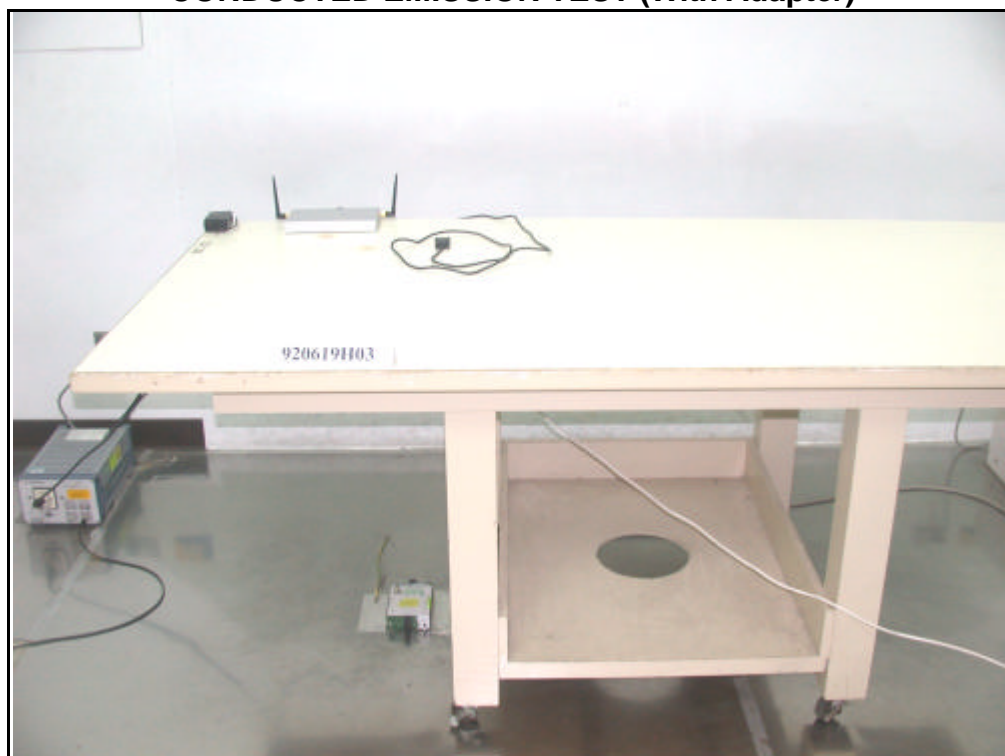
And according to FCC 47 CFR Section 15.247 (b), if transmitting antennas of directional gain greater than 6dBi are used, the power shall be reduced by the amount in dB that the directional gain of the antenna exceeds 6dBi.

4.5.2 ANTENNA CONNECTED CONSTRUCTION

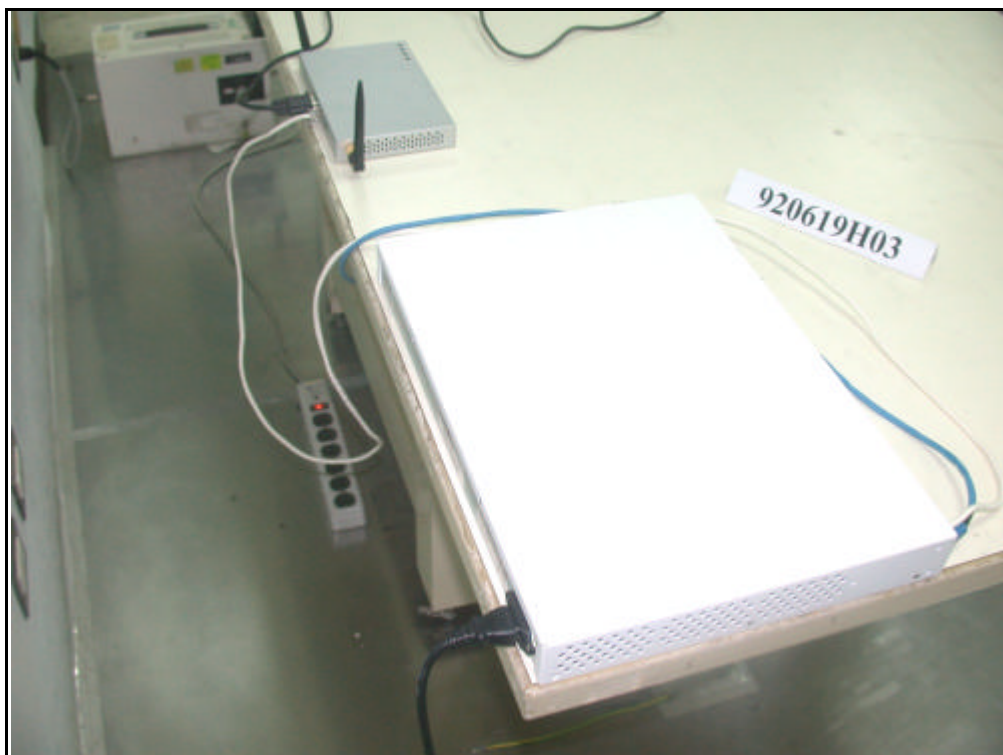
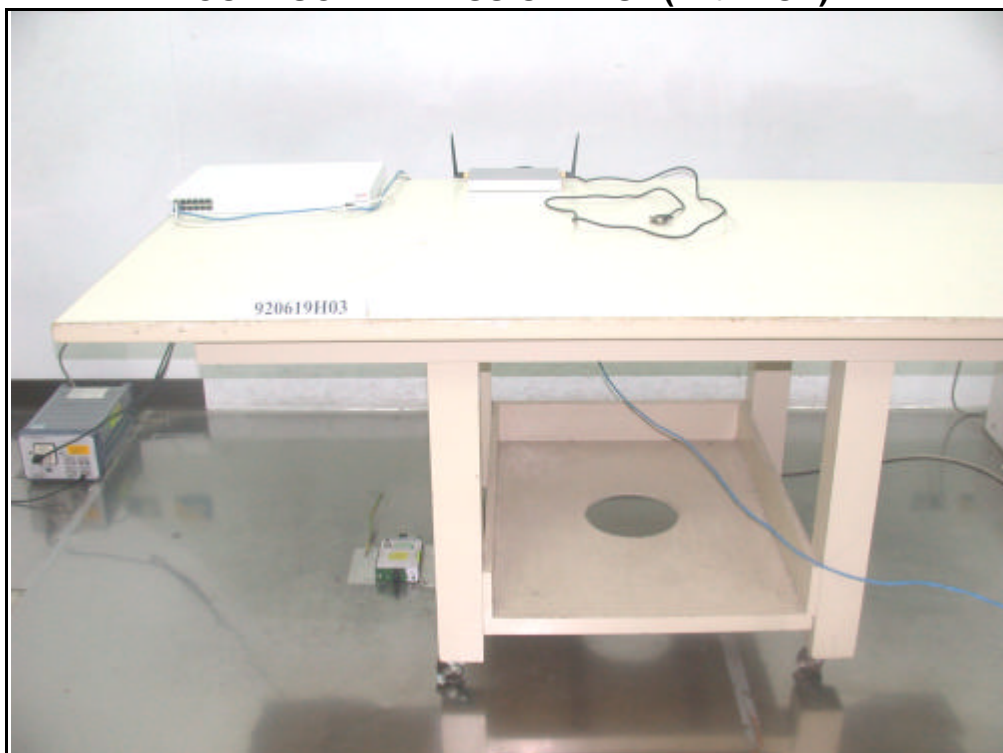
The antenna type used in this product is Swivel dipole Antenna with RP-SMA plug connector. And the maximum Gain of this antenna is only 2.0dBi.

5 PHOTOGRAPHS OF THE TEST CONFIGURATION

CONDUCTED EMISSION TEST (With Adapter)



CONDUCTED EMISSION TEST (With POE)



RADIATED EMISSION TEST (With Adapter)



RADIATED EMISSION TEST (With POE)





6 INFORMATION ON THE TESTING LABORATORIES

We, ADT Corp., were founded in 1988 to provide our best service in EMC and Safety consultation. Our laboratories are accredited and approved by the following approval agencies according to ISO/IEC 17025, Guide 25 or EN 45001:

USA	FCC, NVLAP, UL
Germany	TUV Rheinland
Japan	VCCI
New Zealand	MoC
Norway	NEMKO
Canada	INDUSTRY CANADA
R.O.C.	CNLA, BSMI

Copies of accreditation certificates of our laboratories obtained from approval agencies can be downloaded from our web site:

www.adt.com.tw/index.5/phtml.

If you have any comments, please feel free to contact us at the following:

Lin Kou EMC Lab:

Tel: 886-2-26052180

Fax: 886-2-26052943

Hsin Chu EMC Lab:

Tel: 886-35-935343

Fax: 886-35-935342

Lin Kou Safety Lab:

Tel: 886-2-26093195

Fax: 886-2-26093184

Lin Kou RF&Telecom Lab

Tel: 886-3-3270910

Fax: 886-3-3270892

Email: service@adt.com.tw

Web Site: www.adt.com.tw

The address and road map of all our labs can be found in our web site also.