

FCC LABEL LOCATION

The label will be permanently affixed at a conspicuous location on the device.

Back Side:



Safety Label Note:

1. Printing color: Black

2. 製造國家(MFG Country):

Decide by import and export country
for example:

1. MADE IN TAIWAN
2. MADE IN CHINA

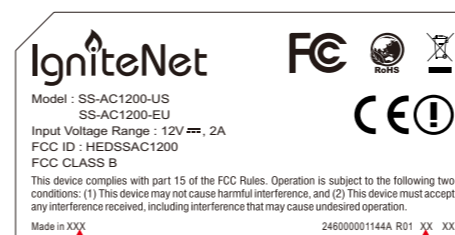
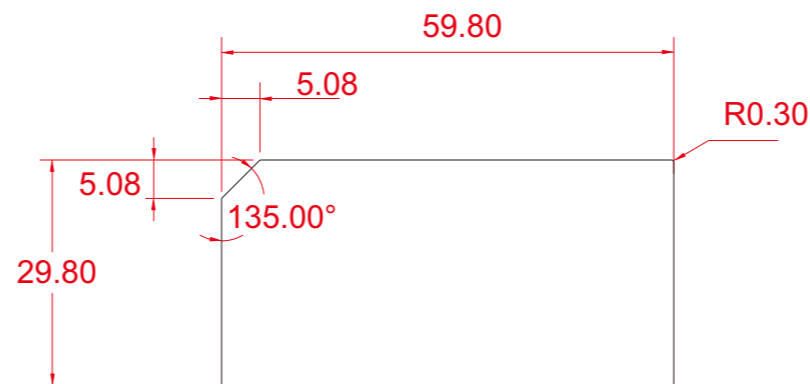
印刷廠商代號(Vender ID): (CSA 要求標示)

Decide by Vendor

製造工廠代號(MFG Factory): (UL要求標示)

視代工廠而定(Decide by MFG Factory)

1. 昊陽 / Joytech (深圳 / ShenZhen)-----> None
2. Accton -----> AC



MFG Country
(Arial Narrow, Point 4)

Vender ID
(Arial Narrow, Point 4)

MFG Factory
(Except all leads in FP label)

Modification	Card Paper / Top lineboard				Corrugate list				Cardboard Die Cut Legend		Unspecialized Die Cut Tolerance = +/- 0.5mm		PE Bag (A Degree)		Clear	Pink	Label list		Comply with RoHs		Accton TECHNOLOGY CORP.											
	GSM (g/m ²)	CCNB	SBS	Double SBS	Flute (A Degree)	Single wall	Double wall	Bursting Strength	End Crush	(C) Cutting Line	(CI) Crease Line	(PBL) Partial Blunt Line	(SO) Slit-Score Line	(SL) Slit Line	Flute Direction	Manufacture Stamp	Glue Joint	Material & Thickness	Adhesive	Others												
1	250				A/C	Taiwan 230 X 180 X 230	China 250 X 150 X 250	16	33.6	0	16	0.05	0.1	0.15	0.2	0.2	0.5	Normal (Non-Anti-Static)	ESD Value/Ω = 9-11	Art paper	0.025mm / 25# / 1mil	Acrylic	T=0.022mm	Material Spec: IQC Inspect Color Please refer to Approve Lin SEP04'14 Check Design Carry SEP04'14	Part No. 246000001144A REV.01 Description: UL LABEL EAP122030R-H-0714-ACN UNIT SCALE 1 / 1 SIZE A3 MM (IN) Outside View Sheet 1 of 1							
2	280				B	Taiwan 230 X 100 X 230	China 250 X 112 X 250	14	26.2	16	6	0.05	0.15	0.2	0.3	0.8	Thickness/mm	0.04	0.06	0.08	White Polyester	0.076mm / 75# / 3mil	"R" Adhesive			T=0.022mm						
3	300				E	Taiwan 230 X 100 X 230	China 250 X 100 X 250	14	22.5	250	500	0.1	0.25	0.3	0.6	0.8	1.8	Bubble Bag (Bubble) Ø=10mm	Put-in material >= 8 kg (By 1.5M / Width x 100M / Length)	(PP)Pepa paper	0.178mm / 7mil	Water Adhesive	T=0.022mm									
4	310				AB	Taiwan 230X100X100X230	China 250X100X100X250	18	37.1	500	1000	0.3	0.5	0.8	1.2	3.8	Printing Tolerance = +/- mm	Pulp Tray Recycle Kraft 80% + Newspaper 20%	Weight/g= +/-5%	Thickness/mm	1.5	2.0	EPE Foam			White	Pink	Other	PC 8B35	0.254mm / 10mil	3M 467	T=0.05mm / 2mil
5	340				BC	Taiwan 230 X 100 X 230	China 205 X 140 X 230	16	26	3	3							Weight/g= +/-5%	Thickness/mm	1.5	2.0	EPE Foam	White			Pink	Other	PC 8010	0.381mm / 15mil	3M 468	T=0.127mm / 5mil	
6	350				E	Taiwan 220 X 100 X 200	China 175 X 140 X 230	14	28.5	3	3							Weight/g= +/-5%	Thickness/mm	1.5	2.0	EPE Foam	White			Pink	Other	Other	0.500mm / 20mil	3M 7945	T=0.127mm / 5mil	
7	350				AB	Taiwan 230X100X100X230	China 175X100X100X250	18	37.4	3	3							Weight/g= +/-5%	Draft Angle	3°	Hydrus %	7-14%	Laminated			Non - laminated	PP Film	LF (T = 0.045mm)	DF (T = 0.035mm)	PC 8B35	0.254mm / 10mil	3M 467